

# DATA SHEET

**WIRELESS COMPONENTS**  
Ceramic Patch Antenna  
ANT1818B00DT1516A  
GPS & GLONASS  
PIN 18 × 18 × 4 mm



FEATURES

- Support GPS & GLONASS system
- High radiation efficiency
- Pin-solder process
- RoHS compliant

APPLICATIONS

- Navigation device
- Telematics box
- Fleet management

ORDERING INFORMATION

All part numbers are identified by the series, packing type, material, size, antenna type, working frequency and packing quantity.

**PART NUMBER (PREFERRED)**

**ANT 1818 B 00D T 1516A**  
 (1) (2) (3) (4) (5) (6)

---

**(1) PRODUCT**

ANT = Antenna

---

**(2) SIZE**

1818= 18 x 18 mm

---

**(3) ANTENNA TYPE**

B = Bulk Antenna

---

**(4) SERIAL NO.**

00D

---

**(5) PACKING STYLE**

T = Tray

---

**(6) WORKING FREQUENCY**

1516 = 1.575 / 1.602 GHz

---

**PHYCOMP CTC**

CAN43134240D1561B

---

**12NC**

43134240D156

---

**SPECIFICATION**

Table 1

DESCRIPTION	VALUE
Centre Frequency	1575~1602 MHz
Gain	GPS: 2.65 dBi (Typ.) Glonass: 2.79 dBi (Typ.)
VSWR	2.0 Max
Polarization	Linear Polarization
Impedance	50 Ω
Operating Temperature	-40~105 °C

**NOTE**

1. Based on 50 x 50mm<sup>2</sup> square ground plane.
2. Centre frequency will be offset to working frequency while changes of customer's housing and ground plane.
3. Please contact local sales if you need customized design to gain optimum Antenna performance.

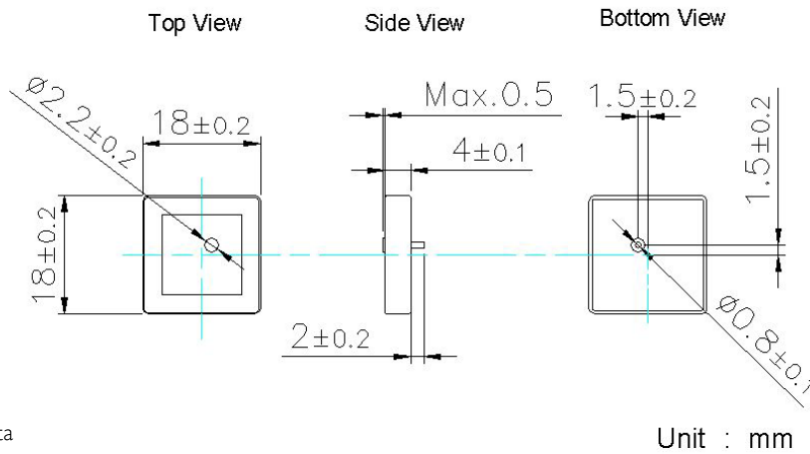


Fig. 1 Mechanical data

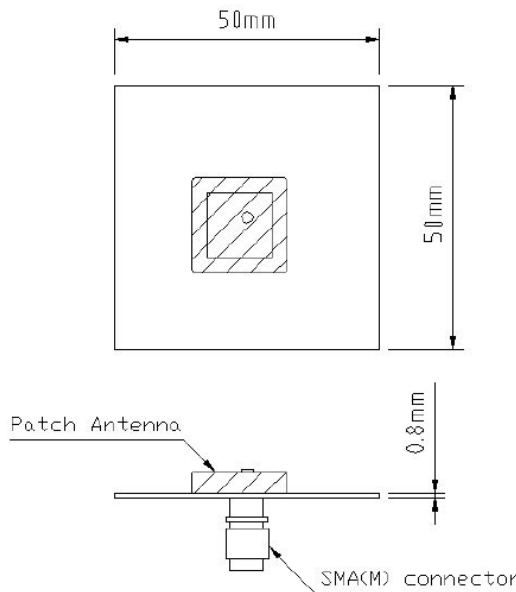
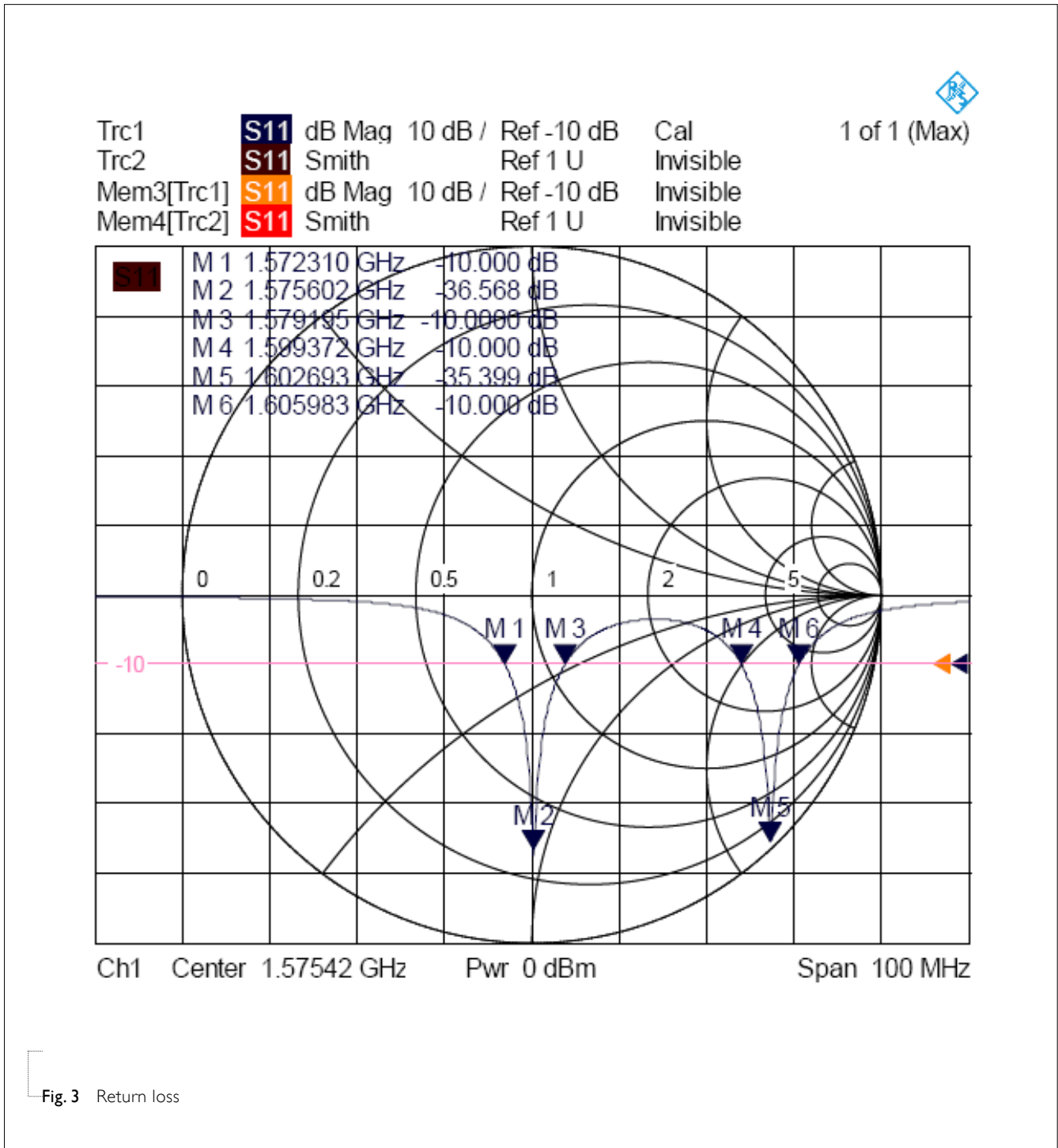
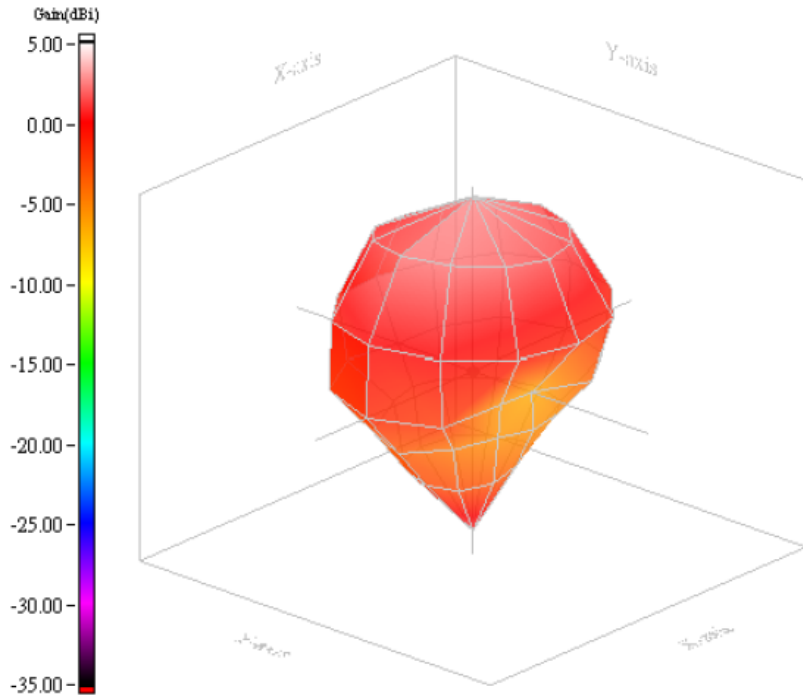


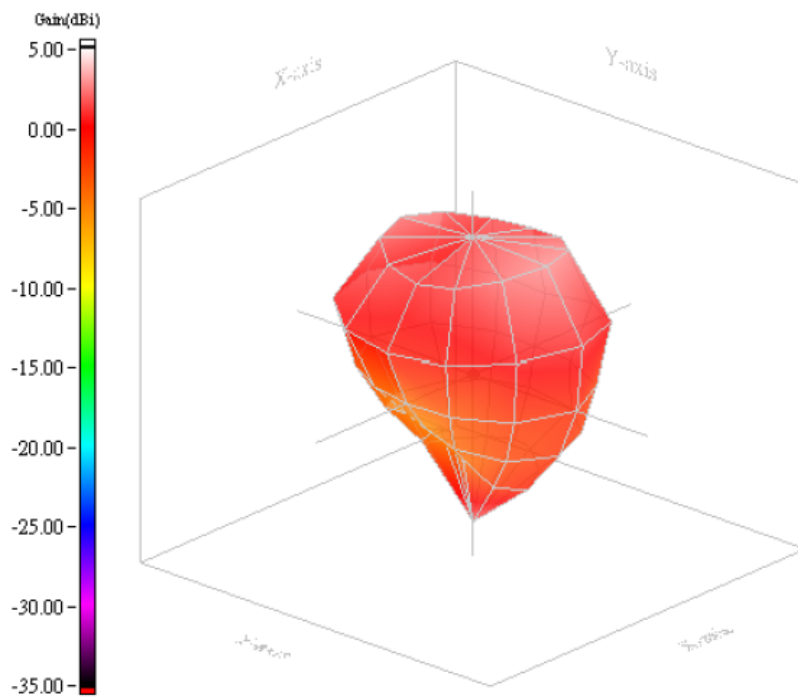
Fig. 2 Evaluation Board

**ELECTRICAL PERFORMANCES**





Frequency = 1575MHz



Frequency = 1602MHz

Fig. 4 Radiation Pattern

REVISION HISTORY

REVISION	DATE	CHANGE NOTIFICATION	DESCRIPTION
Version 0	Feb. 22, 2013	-	- New data sheet for Patch antenna, PIN Feed size 18×18×4 mm

单击下面可查看定价，库存，交付和生命周期等信息

[>>Yageo\(国巨\)](#)