

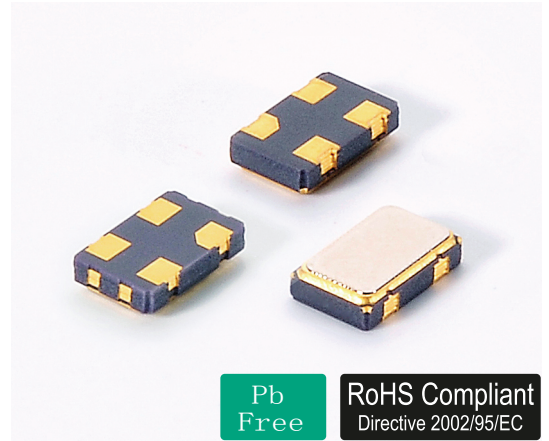
# 5.0x3.2 SMD OSCILLATOR

## FEATURE

- Tight frequency tolerance.
- Pin-compatible with standard 5.0×3.2mm packages.
- Low power standby mode.
- surface mounting and automatically loaded.
- Reflow solder is possible.
- Lower noise and current with reduced power consumption.
- Built-in C-MOS IC with tri-state function.
- Pb-free and RoHS/Green compliant.

## APPLICATIONS

- Ideally suited designed for use in Ethernet, fiber channel, PCs, NB, PCMCIA Cards, Palmtop Computer, Portable Applications.

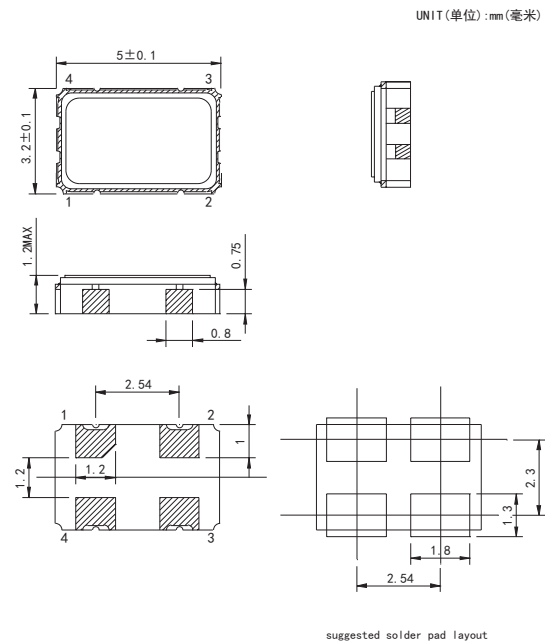


## Electrical Specifications 电气参数

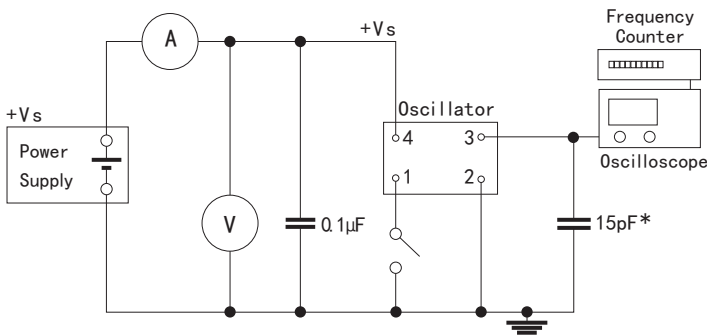
型号	Holder Type	5.0x3.2mm SMD OSCILLATOR
频率范围	Frequency Range	32.768KHz, 1.000 Mhz to 125.000 MHz
总频差	Frequency Stability	±20ppm to ±50ppm
输入电压	Supply Voltage	5.0V or 3.3V ±10%※(See Notes)
工作温度范围	Operating Temperature Range	-20°C - +70°C / -40°C - +85°C
储存温度范围	Storage Temperature Range	-40°C - +85°C/-55°C - +125°C
占空比	Symmetry (Duty Cycle)	40/60 Standard
输出	Output Load	10 TTL or 15pF Hcmos
消耗电流	Current Consumption (15pf only)	1.000Mhz - 35.999Mhz=25mA max
		(5.0V)
		36.000Mhz - 69.999Mhz=60mA max
	Current Consumption (15pf only)	70.000Mhz - 100.000Mhz=80mA max
		(1.8V 2.5V 2.85V 3.3V)
		36.000Mhz - 69.999Mhz=40mA max
		70.000Mhz - 125.000Mhz=60mA max
上升/下降时间	Rise/Fall Time	5 nS max

※Notes:The supply voltage 1.8V, 2.5V, 2.85V also can be made by customer.

## Mechanical Dimensions 外型尺寸



## Test Circuit (测试电路)



PIN	FUNCTION
1	Tri-state※(See Notes)
2	Ground
3	Output
4	Vdd

※Notes:

Tri-state: PIN 1 connected to Vdd or floating, the product is working properly; connected to GND, stops working.

单击下面可查看定价，库存，交付和生命周期等信息

[>>SCTF \(星通时频\)](#)