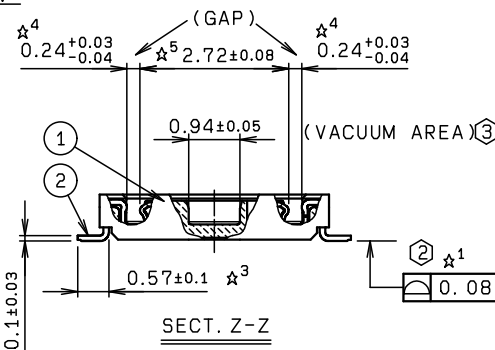
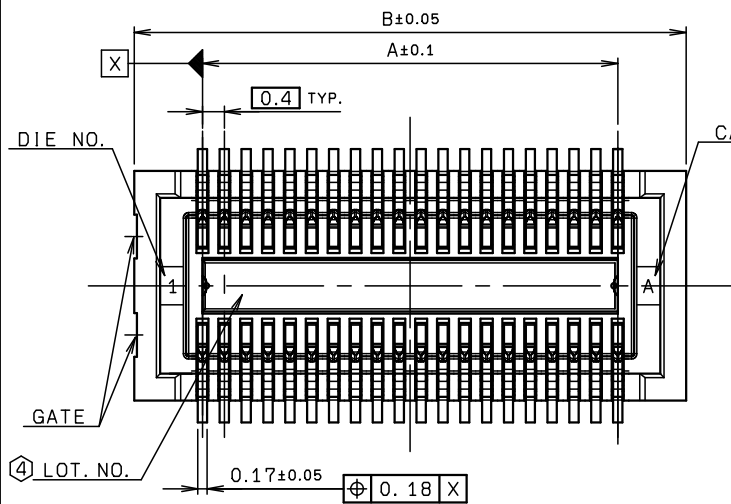


NO.	DESCRIPTION	PART NO.	QTY	MATERIAL	DRW NO.	REMARKS
1	INSULATOR		1	LCP		COLOR: BLACK
2	CONTACT		N	PHOS-BRONZE		NI UNDER 1.5~3.0μm AU



注記
NOTE

1. 型番
P/N 20 5805 XXX 000 829 S +

種数
NO. OF POS.

バリエーション
VARIATION

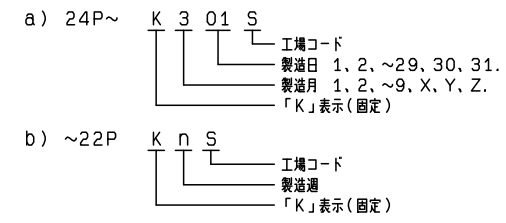
	ANCHOR PLATE	BOSS	GUIDE POST
0	-	-	-

◎: WITH -: WITHOUT
S: Be Free

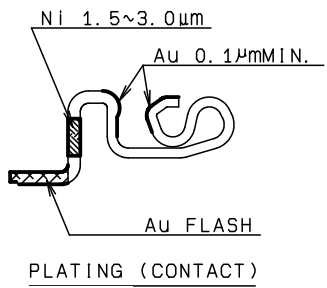
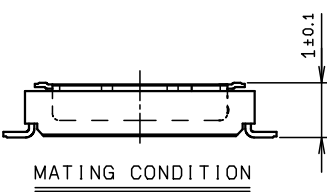
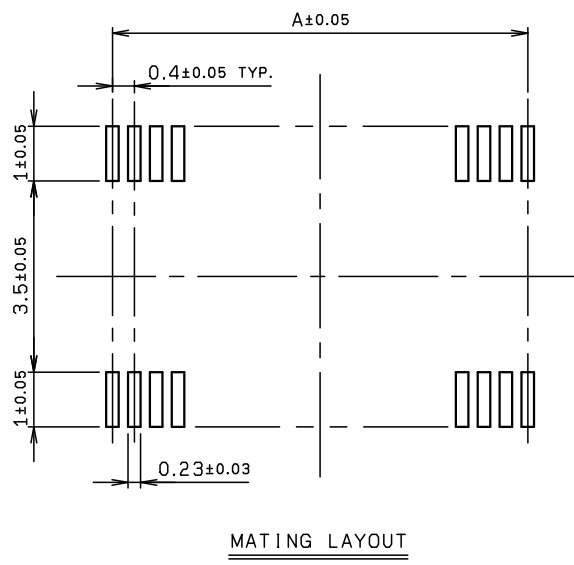
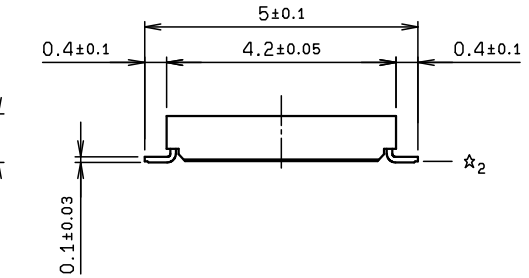
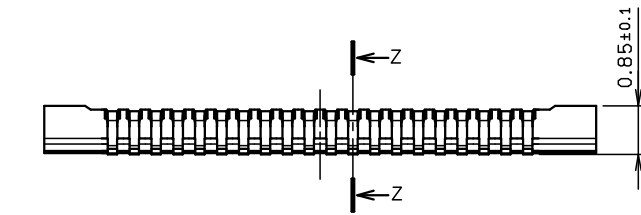
② テール及び金具底面の相互の輪郭度は、0.08MAX.
COPLANARITY OF CONTACT TAIL AND ANCHOR PLATE IS 0.08MAX.

③ 凸凹無き事。
FLAT KEEPING AREA

④ 図示の位置に LOT NO. を刻印する。(レーザー)
LOT NO. SHALL BE MARKED AT THE SPECIFIED POSITION. (LASER)



種数 NO. OF POS.	A	B	D
10	1.6	4.1	3.2
16	2.8	5.3	4.4
20	3.6	6.1	5.2
24	4.4	6.9	6.0
30	5.6	8.1	7.2
34	6.4	8.9	8.0
40	7.6	10.1	9.2
44	8.4	10.9	10.0
50	9.6	12.1	11.2
54	10.4	12.9	12.0
60	11.6	14.1	13.2
64	12.4	14.9	14.0
70	13.6	16.1	15.2
80	15.6	18.1	17.2



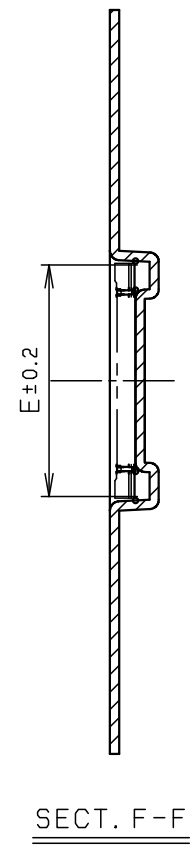
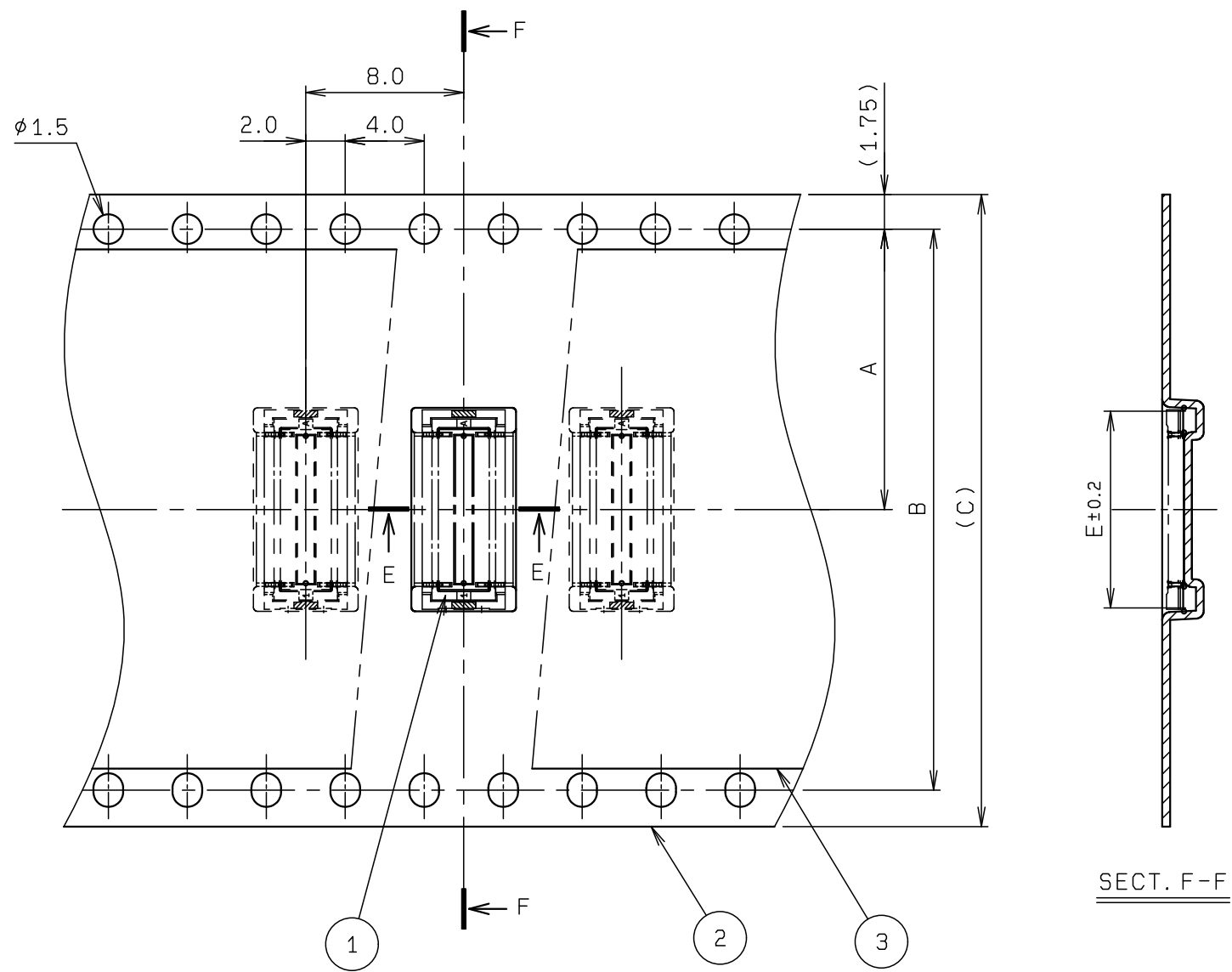
☆ : 重要管理項目
CRITICAL CONTROL ITEM

☆²: テール先端が下がっていること
TAIL IS DOWN

ROHS規制対応
COMPLIANT WITH
ROHS REGULATIONS

TOLERANCE / 一般公差(S)		PRODUCT SPEC / 製品規格		A DCN-490		3-28-13	
X < 10	±0.2	UNIT	ANGLE	O EDN-412	6-03-11	M. SEKI	T. SASAKI
10 ≤ X < 30	±0.25	mm	3RD	NO. EDN/DCN	DATE	ISSUE	CHECKED
30 ≤ X	±0.3	SCALE	DATE	PART NAME / 品名			
ANGLE / 角度	±3°	NTS	6-03-11	SERIES 5805 REC ASSY ST SMT 0.4mm PITCH BOARD TO BOARD WITHOUT BOSS H=1.0 (LCP, Be Free)			
DRAWN	DESIGNED	CHECKED	APPROVED	PART NO. / 型番			
M. TAKAHASHI	M. SEKI		T. SASAKI	20 5805 XXX 000 829 S +			
KYOCERA KYOCERA Corporation				DWG NO. / 図番		SHEET/REV	
				BJS 5805064		1/1 A	

NO.	DESCRIPTION	PART NO.	QTY	MATERIAL	DRW NO.	REMARKS
1	CONNECTOR	20 5805 XXX 000 829 S +	3000			Be Free
2	EMBOSSSED TAPE		1	POLYSTYRENE		
3	TOP COVER TAPE		1	POLYSTYRENE		
4	REEL		1	POLYSTYRENE		

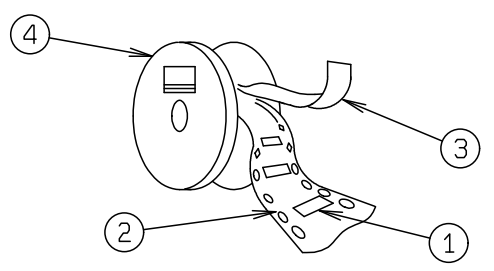


種数 NO. OF POS.	A	B	C	D	E
10	5.5	-	12.0	18.4	4.25
14	7.5	-	16.0	22.4	5.05
16	7.5	-	16.0	22.4	5.45
20	7.5	-	16.0	22.4	6.25
24	7.5	-	16.0	22.4	7.05
26	7.5	-	16.0	22.4	7.45
30	7.5	-	16.0	22.4	8.25
34	11.5	-	24.0	30.4	9.05
40	11.5	-	24.0	30.4	10.25
44	11.5	-	24.0	30.4	11.05
50	11.5	-	24.0	30.4	12.25
54	11.5	-	24.0	30.4	13.05
60	11.5	-	24.0	30.4	14.25
64	11.5	-	24.0	30.4	15.05
70	11.5	-	24.0	30.4	16.25
80	14.2	28.4	32.0	38.4	18.25

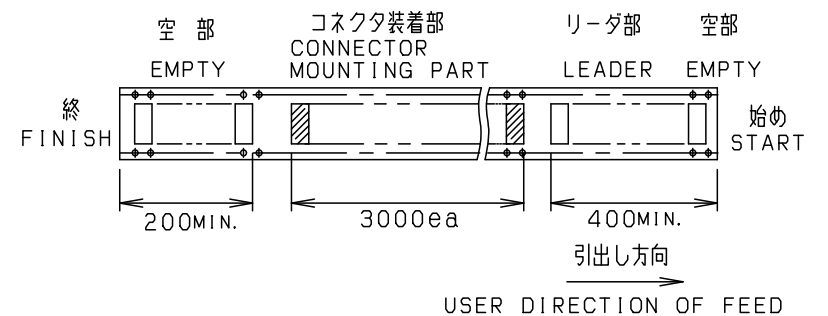
注記
NOTE

1. 梱包数量 : 3000 個/リール
PACKING QUANTITY : 3000 ea/reel

2. 納入時のリール巻き方向
REELING DIRECTION
IN DELIVERY



3. 引出し方向
USER DIRECTION OF FEED



4. 型番
P/N 24 5805 XXX 000 829 S +

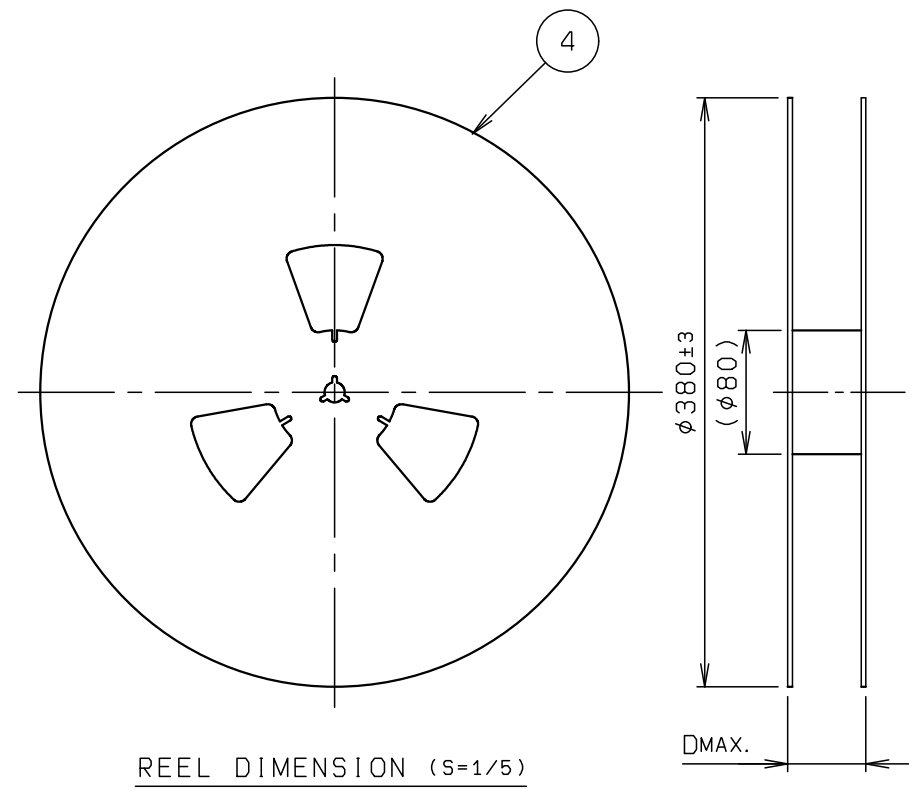
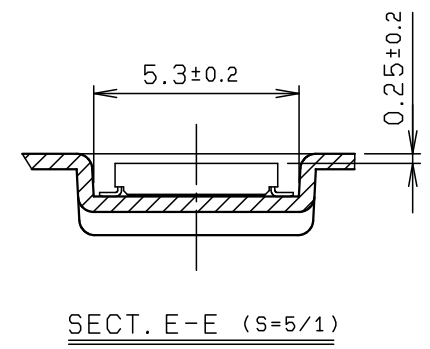
種数
NO. OF POS. _____ S: Be Free

バリエーション
VARIATION

	ANCHOR PLATE	BOSS	GUIDE POST
0	-	-	-

@: WITH - : WITHOUT

ROHS規制対応
COMPLIANT WITH
ROHS REGULATIONS



TOLERANCE / 一般公差(S)		PRODUCT SPEC / 製品規格							
X < 10	± 0.2								
10 ≤ X < 30	± 0.25	UNIT	ANGLE						
30 ≤ X	± 0.3	mm	3RD						
ANGLE / 角度 ± 3°		SCALE	DATE						
		3:1	6-03-11						
DRAWN	DESIGNED	CHECKED	APPROVED	PART NAME / 品名		NO. EDN/DCN		DATE	
M. TAKAHASHI				SERIES 5805 EMBOSS TAPE ASSY REC ASSY ST SMT				ISSUE	
				WITHOUT ANCHOR PLATE, BOSS H=1.0 (LCP, Be Free)				CHECKED	
				PART NO. / 型番				APPROVED	
				24 5805 XXX 000 829 S +					
				DWG NO. / 図番				SHEET/REV	
				BJS 5805065				1/1 0	

KYOCERA Corporation

单击下面可查看定价，库存，交付和生命周期等信息

[>>Kyocera\(京瓷\)](#)