

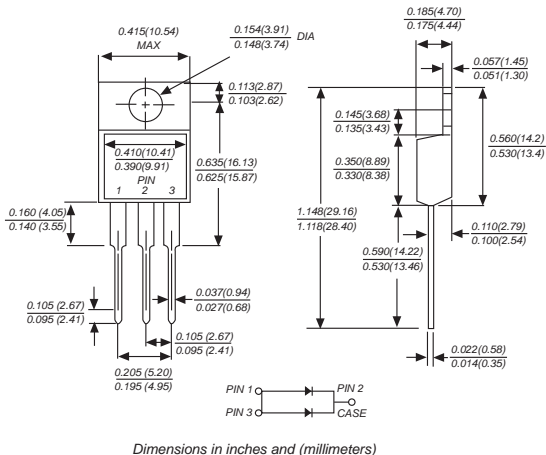


# MBR201500CT THRU MBR20200CT

## SCHOTTKY BARRIER RECTIFIER

Reverse Voltage - 150 to 200 Volts Forward Current -20.0 Amperes

### TO-220AB



### FEATURES

- ◆ The plastic package carries Underwriters Laboratory Flammability Classification 94V-0
- ◆ Construction utilizes void-free molded plastic technique
- ◆ Low reverse leakage
- ◆ High forward surge current capability
- ◆ High temperature soldering guaranteed: 250°C, 0.25" (6.35mm) from case for 10 seconds

### MECHANICAL DATA

**Case:** TO-220AB molded plastic body  
**Terminals:** Leads solderable per MIL-STD-750, Method 2026  
**Polarity:** As marked  
**Mounting Position:** Any  
**Weight:** 0.080 ounce, 2.24 grams

### MAXIMUM RATINGS AND ELECTRICAL CHARACTERISTICS

Ratings at 25°C ambient temperature unless otherwise specified.  
 Single phase half-wave 60Hz, resistive or inductive load, for capacitive load current derate by 20%.

MDD Catalog Number	SYMBOLS	MBR20150CT	MBR20200CT	UNITS
Maximum repetitive peak reverse voltage	$V_{RRM}$	150	200	VOLTS
Maximum RMS voltage	$V_{RMS}$	135	140	VOLTS
Maximum DC blocking voltage	$V_{DC}$	150	200	VOLTS
Maximum average forward rectified current (see fig.1)	$I_{(AV)}$	20.0		Amps
Peak forward surge current 8.3ms single half sine-wave superimposed on rated load (JEDEC Method)	$I_{FSM}$	150.0		Amps
Maximum instantaneous forward voltage at 10.0A	$V_F$	0.95		Volts
Maximum DC reverse current at rated DC blocking voltage	$I_R$	0.2		mA
$T_A=25^\circ\text{C}$ $T_A=100^\circ\text{C}$		50.0		
Maximum thermal resistance(NOTE 1)	$R_{\theta JC}$	1.5		°C/W
Operating junction temperature range	$T_J$	-55 to +150		°C
Storage temperature range	$T_{STG}$	-55 to +150		°C

**Note:** 1. Thermal resistance from junction to case



# RATINGS AND CHARACTERISTIC CURVES MBR20150CT THRU MBR20200CT

FIG.1 TYPICAL FORWARD CHARACTERISTICS

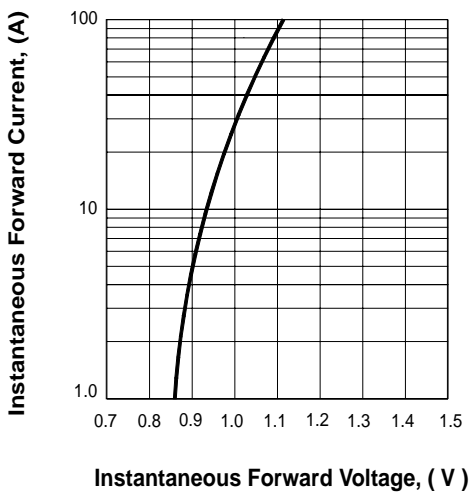


FIG.2 FORWARD DERATING CURVE

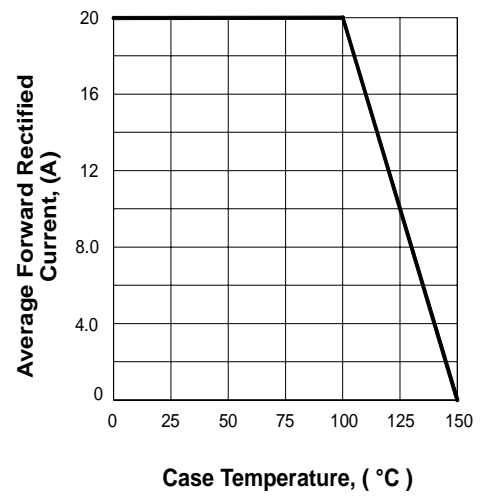


FIG.3 TYPICAL REVERSE CHARACTERISTICS

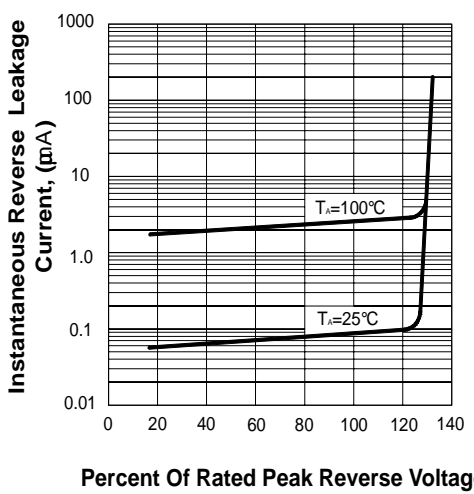
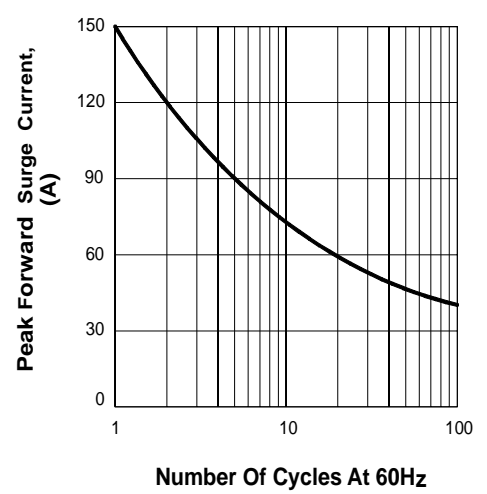


FIG.4 PEAK FORWARD SURGE CURRENT



The cruve graph is for reference only, can't be the basis for judgment(曲线图仅供参考)!



单击下面可查看定价，库存，交付和生命周期等信息

[>>MDD\(辰达行\)](#)