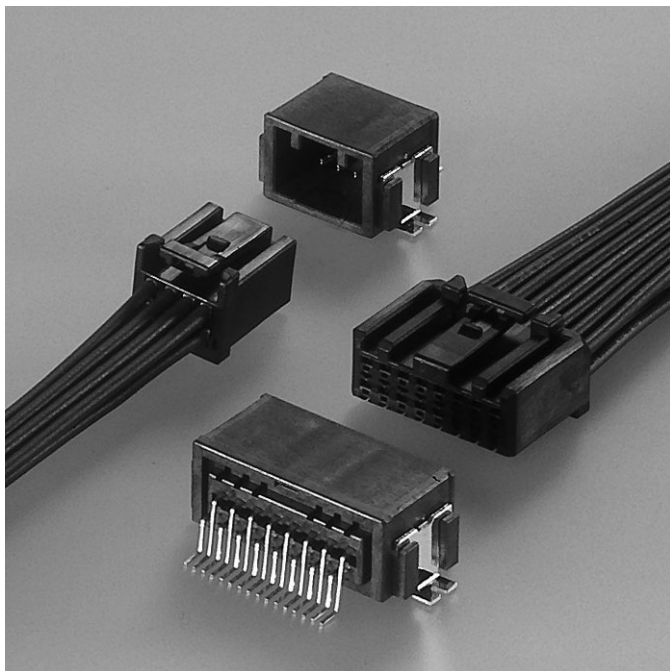


CPT CONNECTOR

Board-to-wire



Features

● Compact design

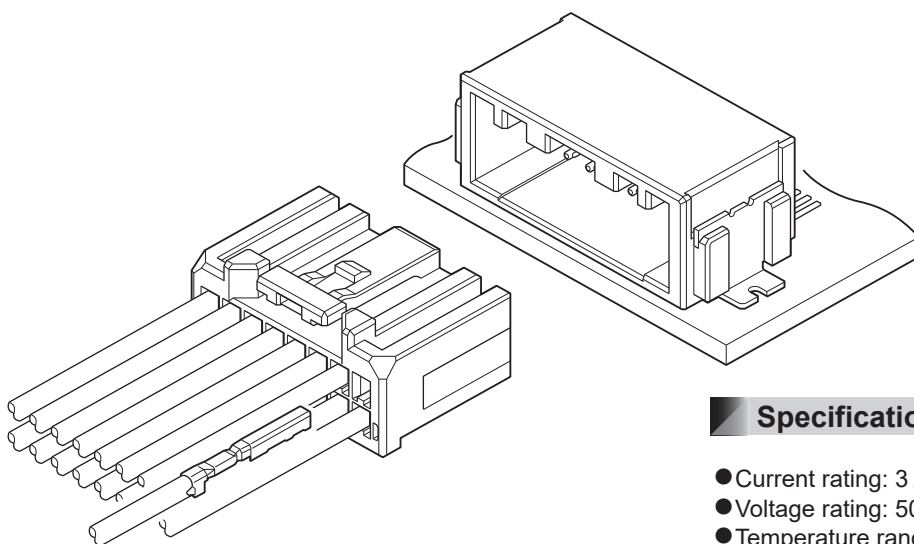
2.0 mm pitch is realized miniaturization and low profile as the connector for automobile.

● Terminal construction

Female terminal is designed for simple box structure by having spring structure on male terminal.

Developed in pursuit of miniaturization and low profile as PC board connector for automobile.

This connector is surface mounting type connector having the spring structure on male terminal disproving the conventional concept.



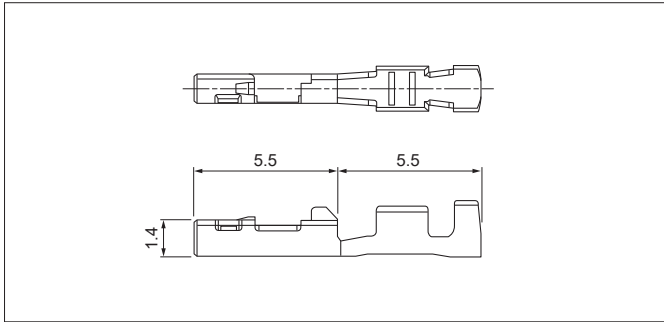
Specifications

- Current rating: 3 A AC, DC (0.3 mm², Single circuit)
- Voltage rating: 50 V AC, DC
- Temperature range: -40°C to +100°C
(including temperature rise in applying electrical current)
- Contact resistance: Initial value/ 8 mΩ max.
After environmental tests/ 16 mΩ max.
- Insulation resistance: 100 MΩ min.
- Withstanding voltage: 1,000 VAC/minute
- Applicable wire: AESX-f/ AVSS
0.3 mm²

* Compliant with ELV/RoHS.

* Contact JST for details.

Female terminal



| Model No. | Applicable wire range | | Q'ty/reel |
|------------------------|------------------------------|----------------------|-----------|
| | Conductor (mm ²) | Insulation O.D. (mm) | |
| SCPT-A021GF-0.5 | 0.3 | 1.4 | 15,000 |

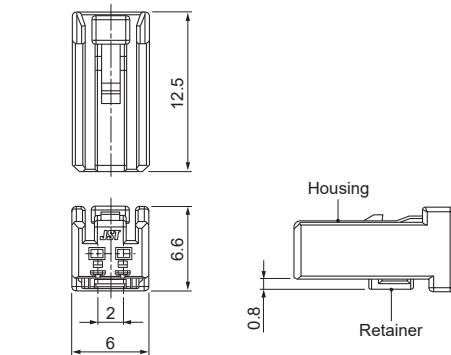
Material and Finish

Brass, nickel-undercoated, Contact area; gold-plated
Barrel area; tin-plated

Female connector

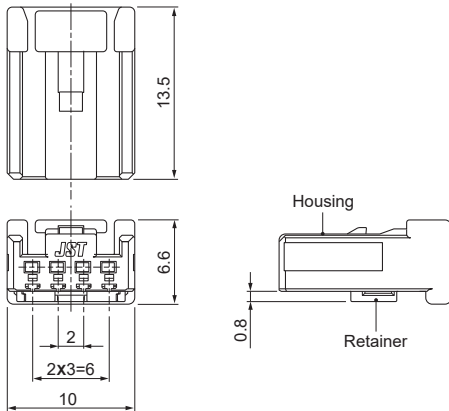
Single row

● 2 circuits

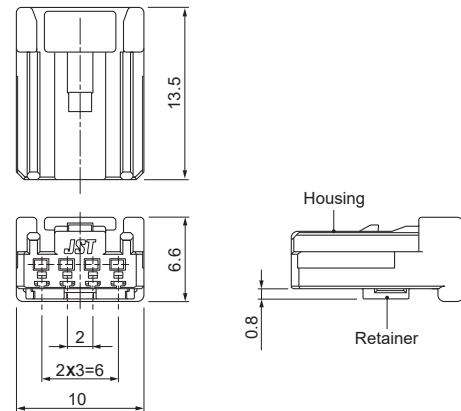


● 4 circuits

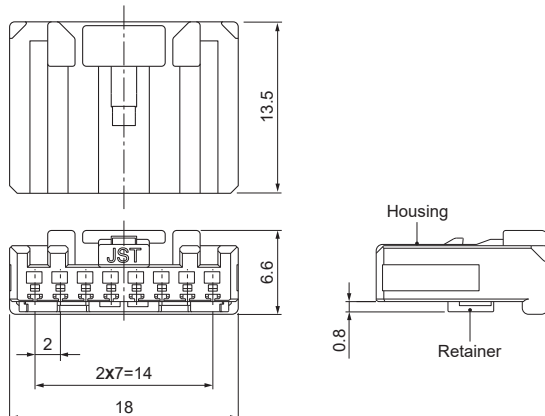
04CPT-B1-2A



04CPT-B1-2B



● 8 circuits



| Circuits | Model No. | Q'ty/box |
|----------|--------------------|----------|
| 2 | 02CPT-B-2A | 500 |
| 4 | 04CPT-B1-2A | 600 |
| | 04CPT-B1-2B | |
| 8 | 08CPT-B1-2A | 400 |

Material and Finish

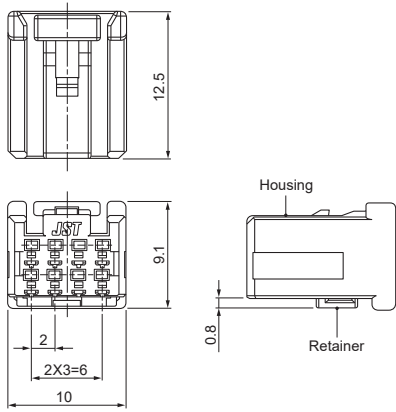
Housing: Glass-filled PBT, Black
Retainer: Glass-filled PBT, Blue

CPT CONNECTOR

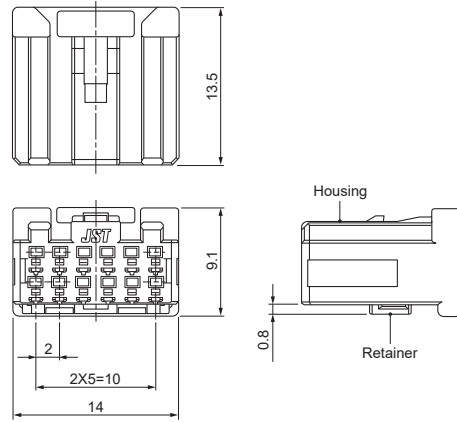
Female connector

Dual row

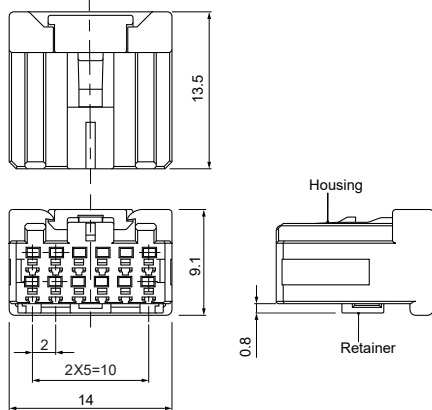
● 8 circuits



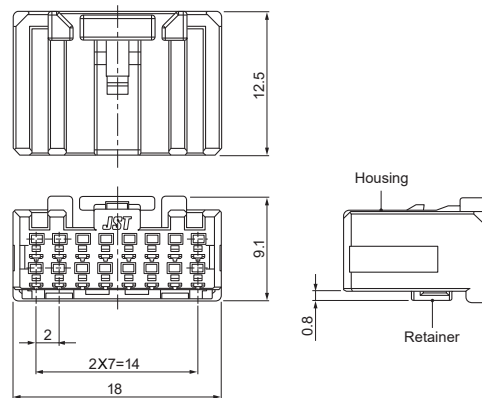
● 12 circuits 12CPT-B-2A



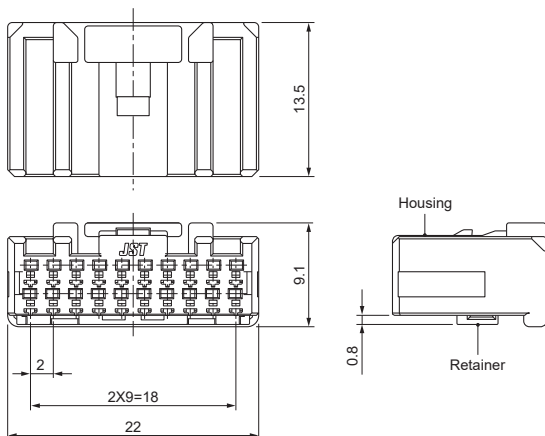
● 12 circuits 12CPT-B-2A-FL



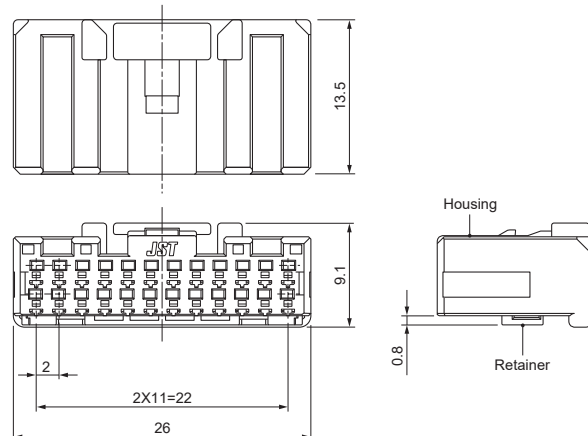
● 16 circuits



● 20 circuits



● 24 circuits



| Circuits | Model No. | Q'ty/box |
|----------|----------------------|----------|
| 8 | 08CPT-B-2A | 500 |
| 12 | 12CPT-B-2A | 300 |
| | 12CPT-B-2A-FL | |
| 16 | 16CPT-B-2A | 250 |
| 20 | 20CPT-B-2A | 250 |
| 24 | 24CPT-B-2A | 200 |

Material and Finish

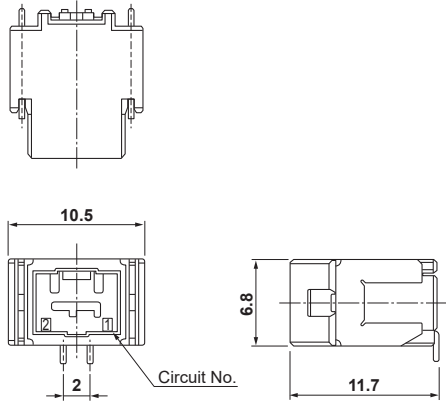
Housing: Glass-filled PBT, Black
Retainer: Glass-filled PBT, Blue

Male connector

Top entry type

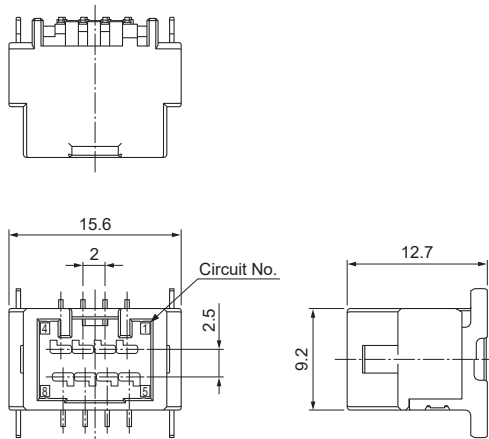
Single row

●2 circuits

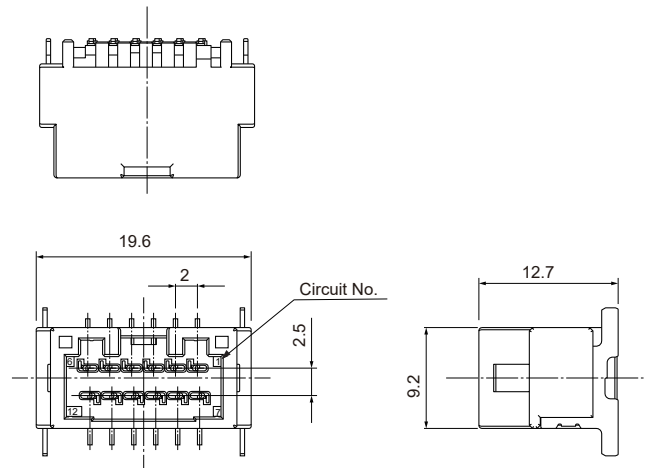


Dual row

●8 circuits



●12 circuits



| Type | Circuits | Model No. | Q'ty/reel | |
|------|------------|-----------|-------------------------|-----|
| Top | Single row | 2 | BM02B-CPTK-1A-TB | 370 |
| | Dual row | 8 | BM08B-CPTK-1A-TB | 240 |
| | | 12 | BM12B-CPTK-1A-TB | |

Material and Finish

Terminal: Copper alloy, nickel-undercoated,
Contact area; gold-plated
Solder tail; tin-plated (reflow treatment)

Housing: Glass-filled LCP, Black

Peg: Brass, nickel-undercoated, tin-plated (reflow treatment)

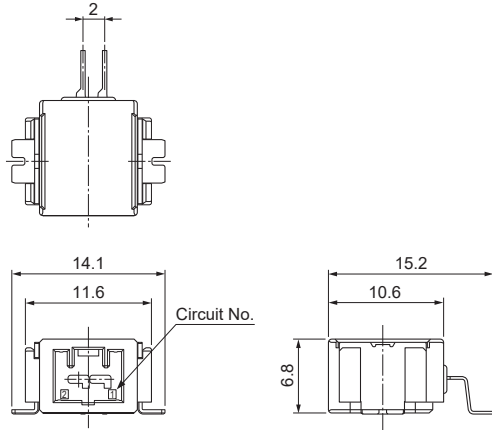
CPT CONNECTOR

Male connector

Side entry type

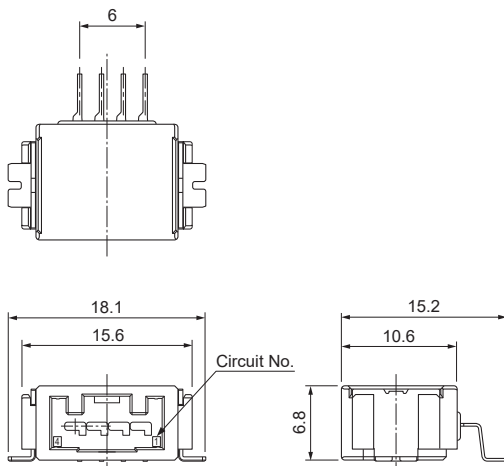
Single row

● 2circuits

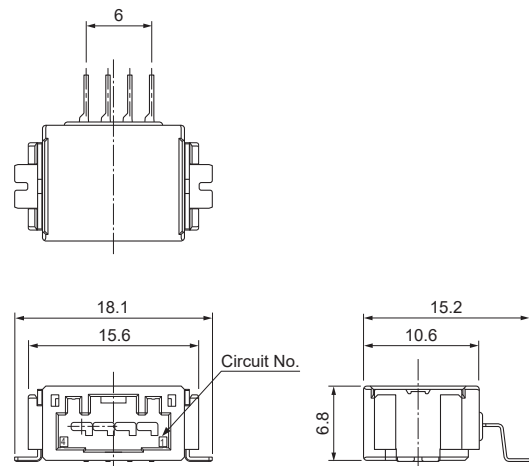


● 4 circuits

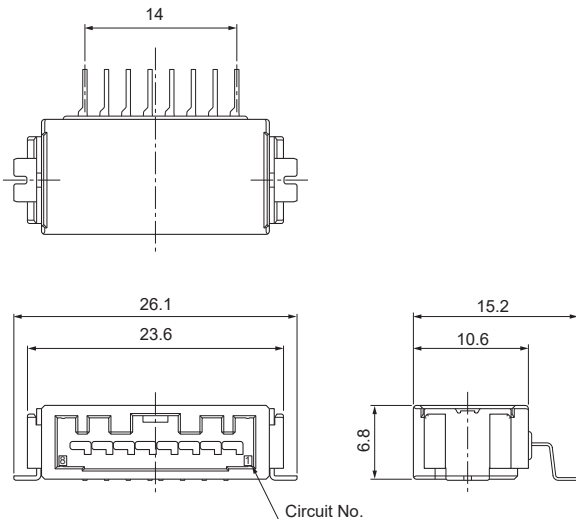
SM04B1-CPTK-1A-TB



SM04B1-CPTK-1B-TB



● 8 circuits



| Type | Circuits | Model No. | Q'ty/reel |
|------|------------|-----------|-----------|
| Side | Single row | 2 | 500 |
| | | 4 | |
| | | 8 | |

Material and Finish

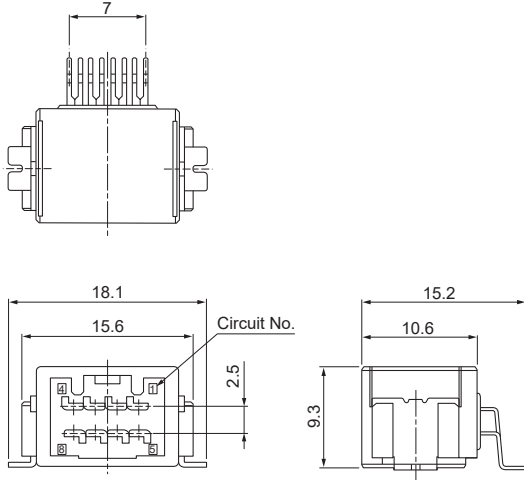
Terminal: Copper alloy, nickel-undercoated,
Contact area; gold-plated
Solder tail; tin-plated (reflow treatment)
Housing: Glass-filled LCP, Black
Peg: Brass, nickel-undercoated, tin-plated (reflow treatment)

Male connector

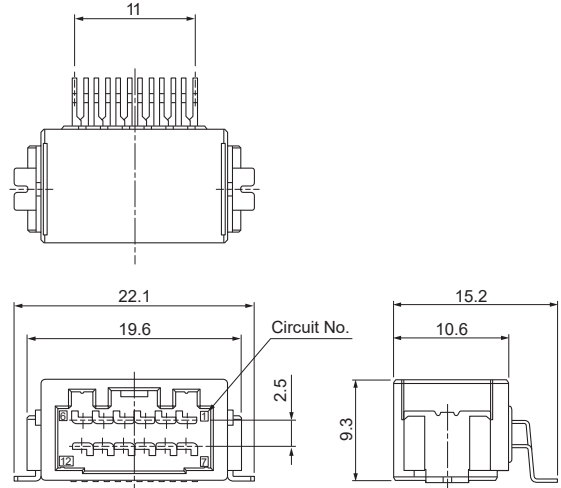
Side entry type

Dual row

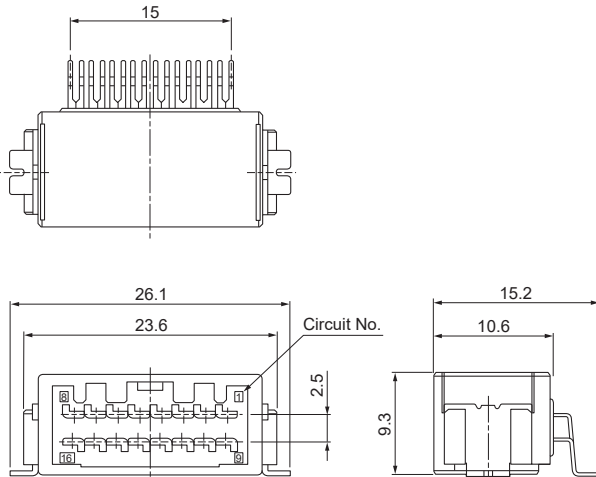
● 8 circuits



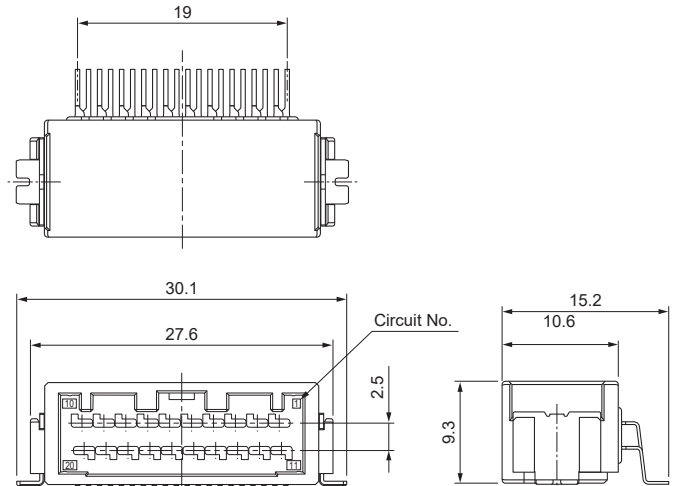
● 12 circuits



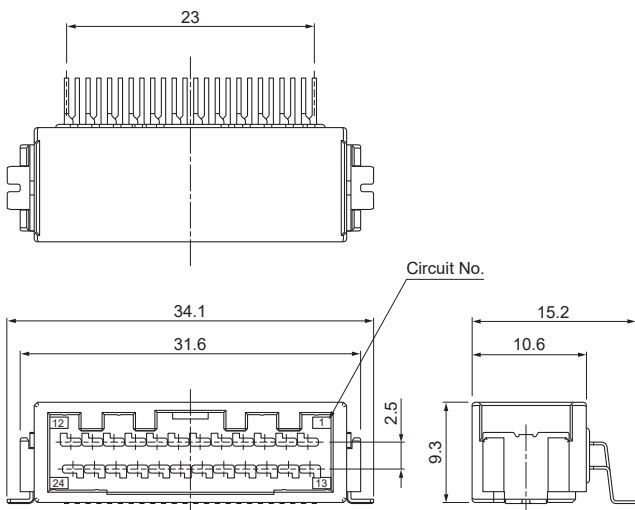
● 16 circuits



● 20 circuits



● 24 circuits



| Type | Circuits | Model No. | Q'ty/reel |
|------|----------|-----------|-----------|
| Side | Dual row | 8 | 390 |
| | | 12 | |
| | | 16 | |
| | | 20 | |
| | | 24 | |

Material and Finish

Terminal: Copper alloy, nickel-undercoated,
Contact area; gold-plated
Solder tail; tin-plated (reflow treatment)

Housing: Glass-filled LCP, Black

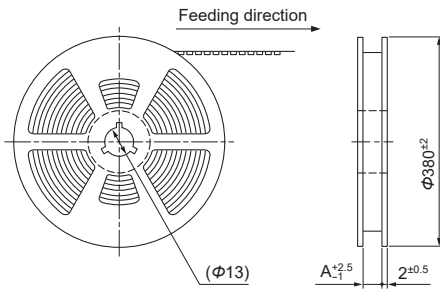
Peg: Brass, nickel-undercoated, tin-plated (reflow treatment)

CPT CONNECTOR

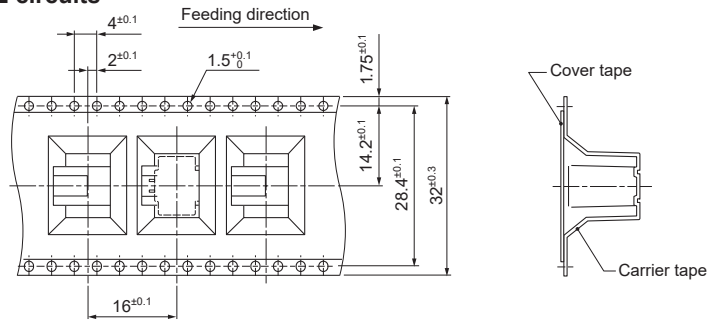
Taping Specifications

Top entry type

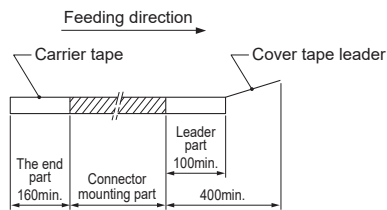
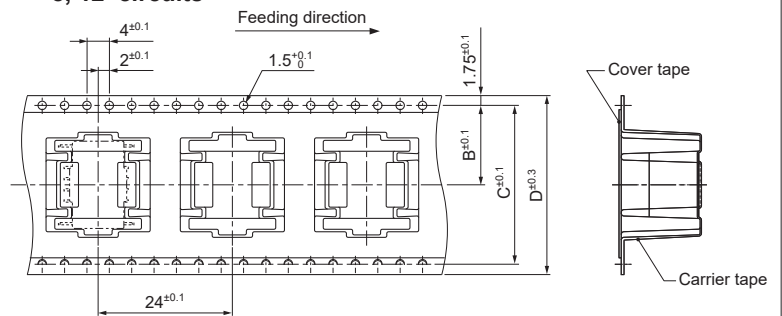
● 2, 8, 12 circuits



● 2 circuits



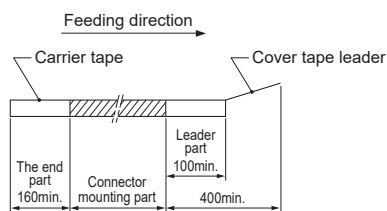
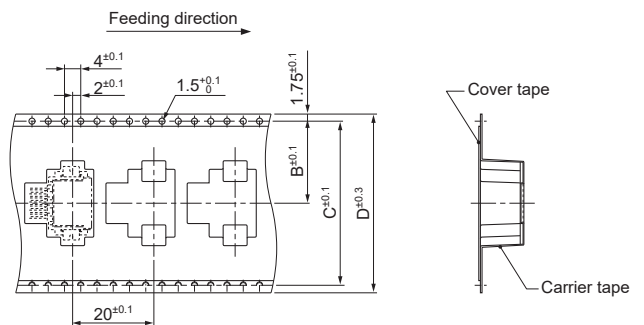
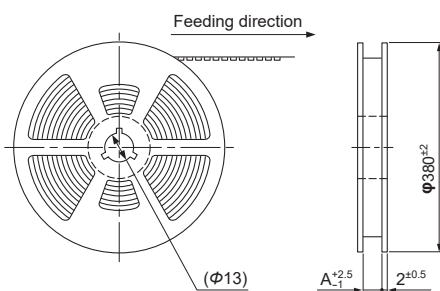
● 8, 12 circuits



| Type | Circuits | A | B | C | D |
|------------|----------|------|------|------|----|
| Single row | 2 | 33.5 | — | — | — |
| | 8 | 33.5 | 14.2 | 28.4 | 32 |
| Dual row | 12 | 45.5 | 20.2 | 40.4 | 44 |

Side entry type

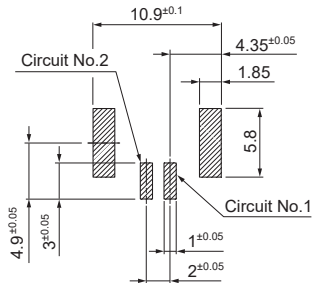
● 2, 4, 8, 12, 16, 20, 24 circuits



| Type | Circuits | A | B | C | D |
|------------|----------|------|------|------|----|
| Single row | 2 | 33.5 | 14.2 | 28.4 | 32 |
| | 4 | 33.5 | 14.2 | 28.4 | 32 |
| | 8 | 45.5 | 20.2 | 40.4 | 44 |
| Dual row | 8 | 45.5 | 20.2 | 40.4 | 44 |
| | 12 | 45.5 | 20.2 | 40.4 | 44 |
| | 16 | 45.5 | 20.2 | 40.4 | 44 |
| | 20 | 45.5 | 20.2 | 40.4 | 44 |
| | 24 | 57.5 | 26.2 | 52.4 | 56 |

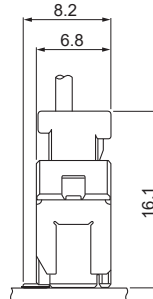
PC board layout, Assembly layout

Top entry type
PC board layout
Single row
●2 circuits

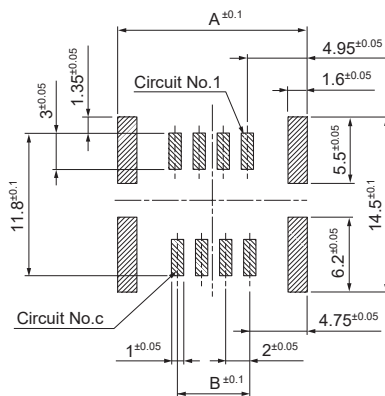


Assembly layout

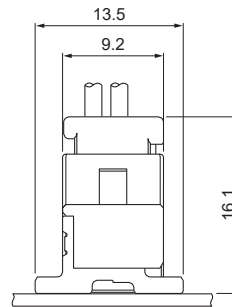
●2 circuits



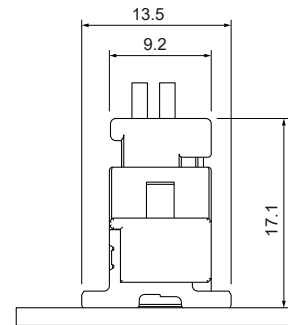
Dual row
●8, 12 circuits



●8 circuits



●12 circuits



| Circuits | A | B |
|----------|------|----|
| 8 | 15.7 | 6 |
| 12 | 19.7 | 10 |

Note: 1. Tolerances are non-cumulative: ± 0.05 mm for all centers.

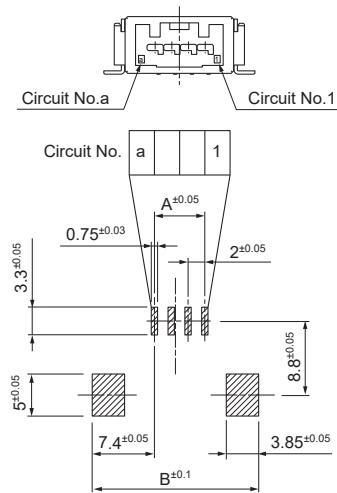
2. The dimensions above should serve as guideline. Contact JST for details.

CPT CONNECTOR

PC board layout, Assembly layout

Side entry type PC board layout Single row

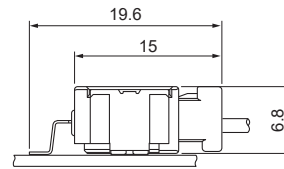
● 2, 4, 8 (Single) circuits



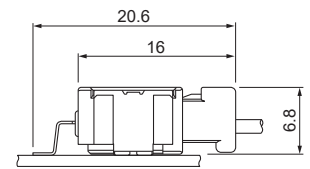
| Circuits | A | B |
|------------|----|------|
| 2 | 2 | 15.8 |
| 4 | 6 | 19.8 |
| 8 (Single) | 14 | 27.8 |

Assembly layout

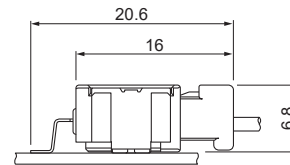
● 2 circuits



● 4 circuits

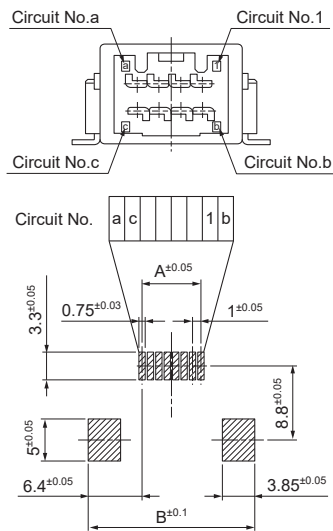


● 8 (Single) circuits



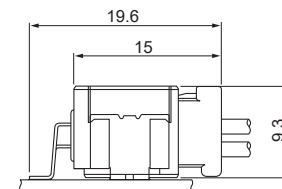
Dual row

● 8 (Dual), 12, 16, 20, 24 circuits

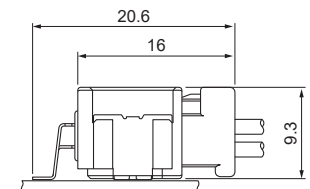


| Circuits | A | B |
|----------|----|------|
| 8 (Dual) | 7 | 19.8 |
| 12 | 11 | 23.8 |
| 16 | 15 | 27.8 |
| 20 | 19 | 31.8 |
| 24 | 23 | 35.8 |

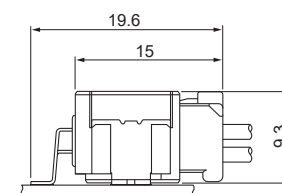
● 8 (Dual) circuits



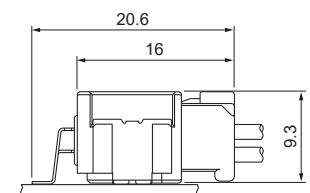
● 12 circuits



● 16 circuits



● 20, 24 circuits



Note: 1. Tolerances are non-cumulative: ± 0.05 mm for all centers.
2. The dimensions above should serve as guideline. Contact JST for details.

Crimping machine, Applicator

| Strip terminal | Crimping machine | Crimp applicator MKS-L | |
|-----------------|------------------|------------------------|----------------------------|
| | | Dies | Crimp applicator with dies |
| SCPT-A021GF-0.5 | AP-K2N | MK/SCPT-A021-05 | APLMK SCPT-A021-05 |

Note: When crimping operation is conducted using an applicator and die set other than the above, JST cannot guarantee the performance of the terminal.

单击下面可查看定价，库存，交付和生命周期等信息

[>>JST\(日本压着端子製造株式会社\)](#)