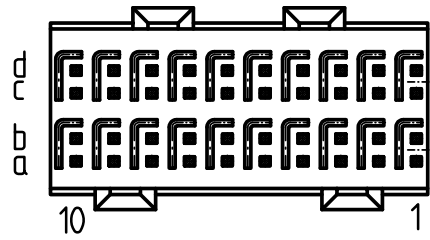
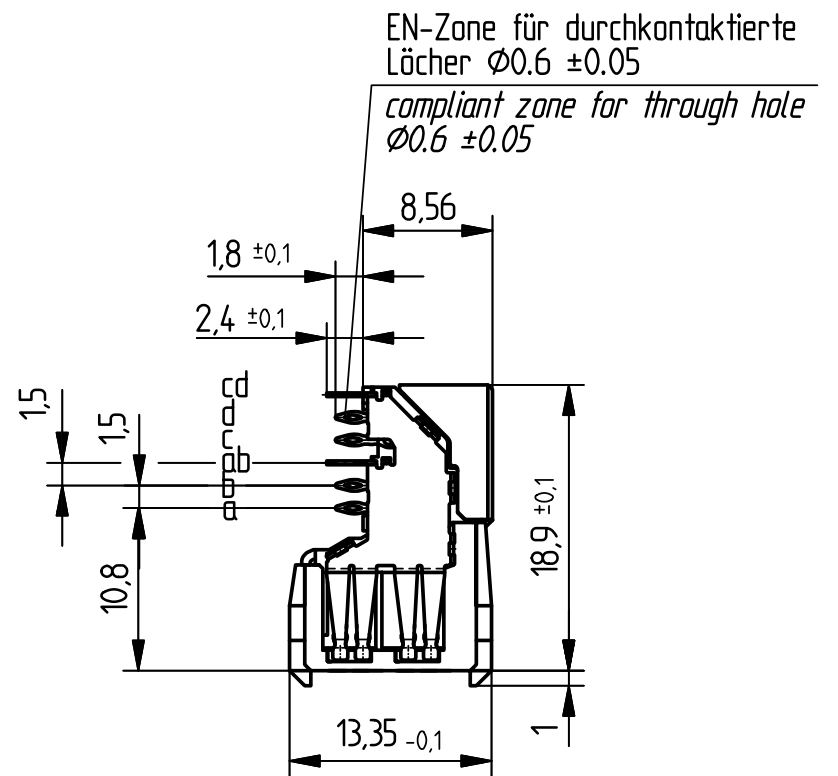
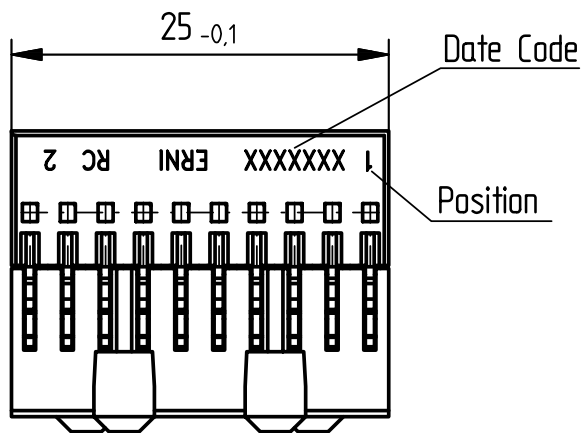
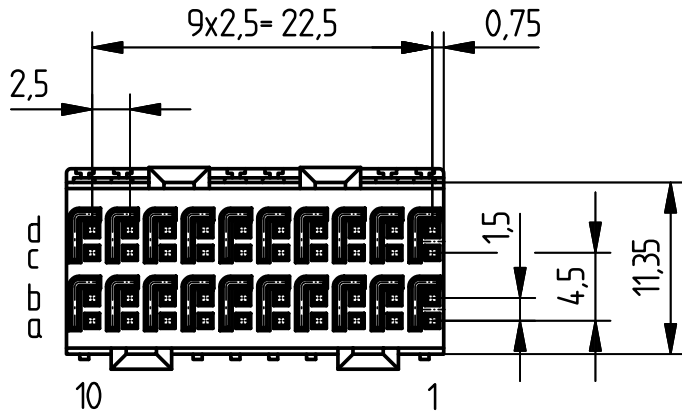


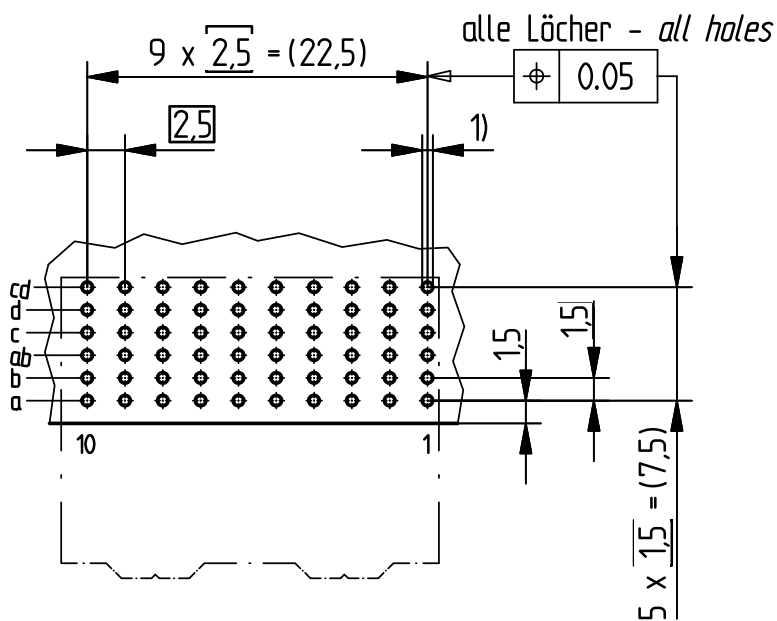
Bestückungsplan - contact layout



■ = bestückt - assembled



Lochbild für Leiterplatte Board hole pattern (Component mounting side)



1)  $\varnothing 0.6 \pm 0.05$  Durchmesser des metallisierten Loches  
 $\varnothing 0.6 \pm 0.05$  Diameter of finished plated-through hole

$\varnothing 0.7 \pm 0.02$  Bohrungsdurchmesser des Loches  
 $\varnothing 0.7 \pm 0.02$  Diameter of drilled hole

Schichtaufbau im metallisierten Loch  
siehe Zeichnung 114406

Metal plating of plated-through hole  
see drawing 114406

Information:	Tolerances	 All Dimensions in mm	Scale	2:1
	All rights reserved. Only for information. To insure that this is the latest version of this drawing, please contact one of the ERNI companies before using.			
Information: All rights reserved. Only for information. To insure that this is the latest version of this drawing, please contact one of the ERNI companies before using.	Subject to modification without prior notice. Drawing will not be updated.		Designation <b>ERmetZD Federleiste 2-10</b> <i>ERmetZD Fem. Connector 2-10</i>	
		www.ERNI.com	973046	
f	13.08.2013	Date	V:00068644.SZA	ERMZD

单击下面可查看定价，库存，交付和生命周期等信息

[>>ERNI](#)