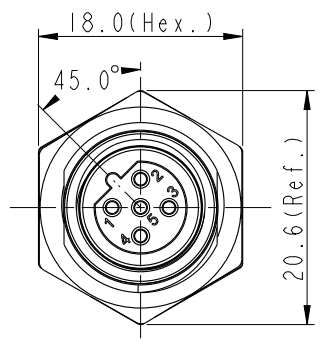
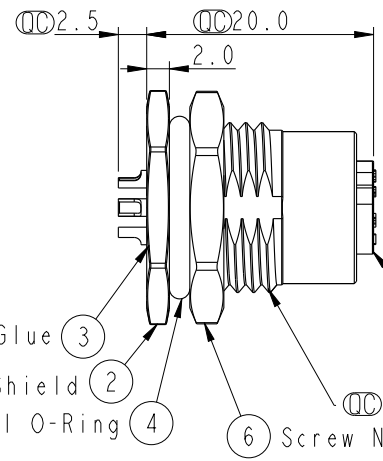
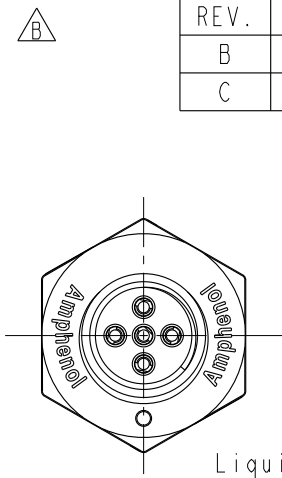
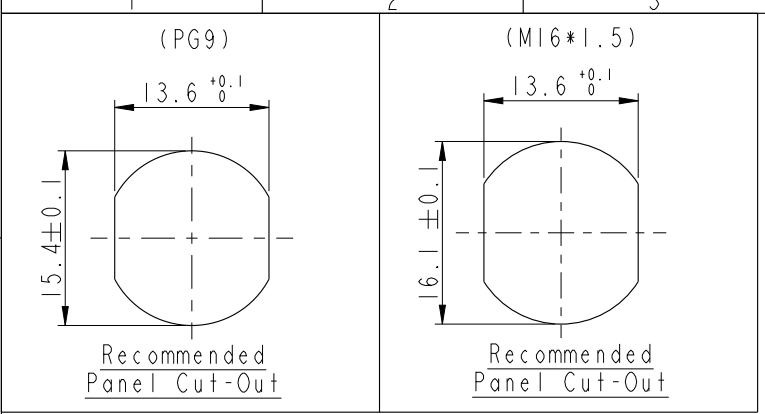


THIS DOCUMENT IS SUBJECT TO CHANGE WITHOUT NOTICE. IT IS CONFIDENTIAL AND A PROPERTY OF Amphenol LTW. DISCLOSURE TO THIRD PARTY HAS TO BE AUTHORIZED BY Amphenol LTW.

REV.	ECN NO.	DATE	SIGN	DESCRIPTION
B	LEN1580029-030	2015/07/25	Yulong_wang	Change to Share Drawing.
C	LEN1690052-053	2016/09/05	Yulong_wang	Add 3, 4 Pin & IP69K.

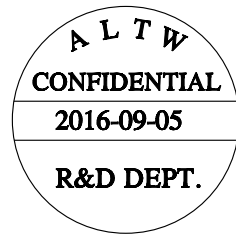


M 12B - XX P F F S - S F 8 XXX

12B: B-Code
 03: 3Pin
 04: 4Pin
 05: 5Pin \triangle

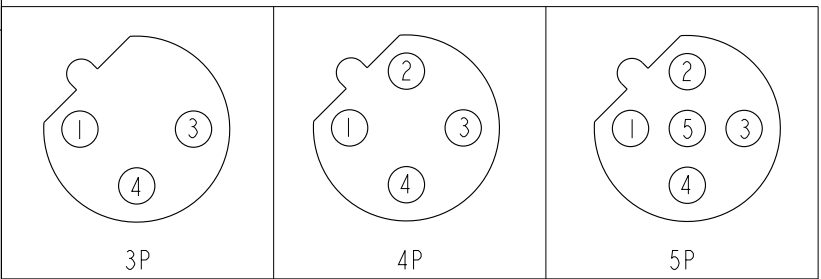
P: Panel (板端)
 F: Female Connector (母座)
 F: Female Pin (母Pin)

001: PG9
 002: M16*1.5
 8: IP68/69K (防水等級68/69K) \triangle
 F: Front Fasten (前鎖式/Enclosure Rear Mount)
 S: Screw (螺紋式)
 S: Solder Type (焊接式)



Note:

- * \odot Important Dimension.
- \triangle * Waterproof Rate: IP68, IP69K.
- * Housing: Nylon+GF, Black.
- * Female Pin: Copper Alloy, Gold Plated.
- * Shield: Zinc Alloy, Nickel Plated.
- * Screw Nut: Zinc Alloy, Nickel Plated.
- * Panel O-Ring: Viton, Black.
- * Housing O-Ring: Viton, Green.
- \triangle * Rated Voltage: 3 & 4Pin 250V dc. or ac.
5Pin 60V dc. or ac.
- * Rated Current: 4A
- * Operating Temperature: -40~+105°C
- * For Panel Thickness Max 4.5mm.
- * Recommended Nut Torque: 4-6 Kgf.cm.



Pin Assignment Front View

UNIT: mm		TITLE M12 B-Code Female Conn. Solder Front Type
TOLERANCE .X ±0.25 .XX ±0.1 .XXX ±0.05 ANGLES ±1°	SCALE 2:1	SIZE A4
	REV. C	SHEET 1 OF 1
	WC-REV. A.5	\odot : Inspection item

Amphenol LTW
 安費諾亮泰企業股份有限公司

ITEM NO.	DRAWN BY Yulong_wang	DATE 2016-09-05
DWG NO. M12B-XXPFFS-SF8XXX	CHECKED BY Jinhai	DATE 2016-09-05
CUSTOMER ALTW	APPROVED BY Jerry	DATE 2016-09-05

单击下面可查看定价，库存，交付和生命周期等信息

[>>Amphenol\(安费诺\)](#)