

Power Inductors / Wire Wound type

Series : **G**
 Type : **ELL4FG-A**
ELL4GG
ELL4LG-A



Type ELL4FG-A



Type ELL4GG



Type ELL4LG-A

Features

- Magnetic shielded structure
- Low DC resistance and large current capability
- Shock resistant
- RoHS compliant

Recommended Applications

- DSC, Tablet terminal, Portable game device, DC/DC converter circuit for cellular phone

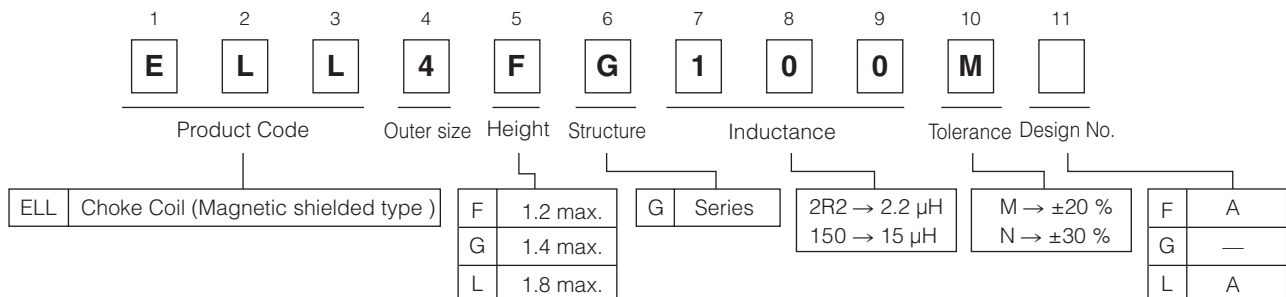
Standard Packing Quantity

- 2,000 pcs./reel (ELL4FG-A/ELL4GG)
- 3,000 pcs./reel (ELL4LG-A)

As for Soldering Conditions and Safety Precautions,

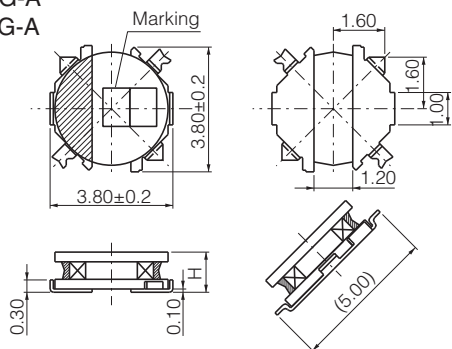
Please see Data Files

Explanation of Part Numbers



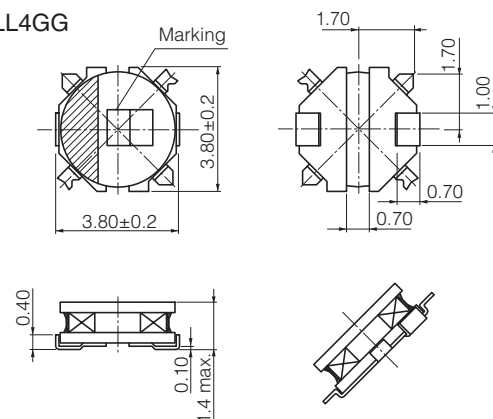
Dimensions in mm (not to scale)

- ELL4FG-A
- ELL4LG-A



| Type | H |
|----------|----------------------|
| ELL4FG-A | 1.1±0.10 (1.20 max.) |
| ELL4LG-A | 1.80 max. |

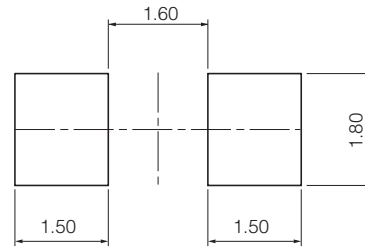
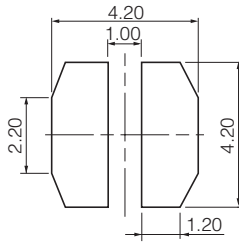
- ELL4GG



Recommended land patterns in mm (not to scale)

- ELL4FG-A
- ELL4LG-A

- ELL4GG



Standard Parts

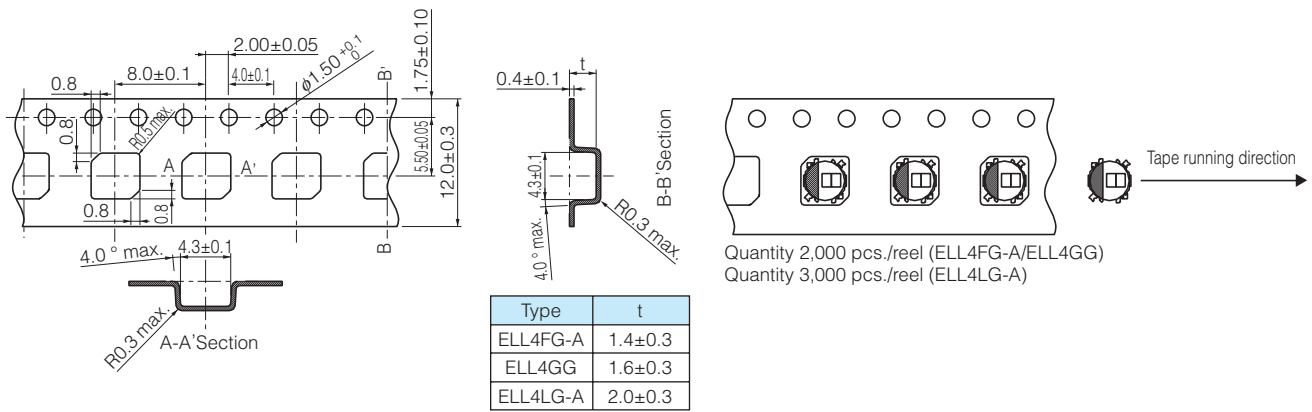
| Series | Part No. | Inductance (100 kHz) | | R _{DC} (at 20 °C) | | Saturation Rated Current*1 (mA max.) | Temperature Rise Current*2 (mA max.) | Marking |
|-----------------|-------------|-------------------------|-------|-------------------------------|-------|--|--|---------|
| | | (μH) | Tol. | (mΩ) | Tol. | | | |
| Series 4FG-A | ELL4FG1R0NA | 1.0 | ±30 % | 45 | ±20 % | 1900 | 1950 | 01 |
| | ELL4FG1R5NA | 1.5 | | 60 | | 1600 | 1700 | 06 |
| | ELL4FG2R0NA | 2.0 | | 70 | | 1300 | 1550 | 10 |
| | ELL4FG3R3NA | 3.3 | | 110 | | 1100 | 1220 | 16 |
| | ELL4FG4R7NA | 4.7 | | 160 | | 1000 | 1000 | 21 |
| | ELL4FG6R8NA | 6.8 | 220 | 800 | | 860 | 26 | |
| | ELL4FG100MA | 10.0 | ±20 % | 290 | | 700 | 750 | 31 |
| | ELL4FG150MA | 15.0 | | 480 | | 600 | 580 | 33 |
| | ELL4FG220MA | 22.0 | | 620 | | 420 | 500 | 36 |
| | ELL4FG330MA | 33.0 | | 1060 | | 360 | 400 | 39 |
| | ELL4FG470MA | 47.0 | | 1600 | | 290 | 330 | 51 |
| Series 4GG | ELL4GG1R2N | 1.2 | ±30 % | 50 | ±20 % | 2400 | 1900 | 03 |
| | ELL4GG1R8N | 1.8 | | 71 | | 1900 | 1550 | 09 |
| | ELL4GG2R2N | 2.2 | | 88 | | 1700 | 1400 | 11 |
| | ELL4GG3R3N | 3.3 | | 110 | | 1500 | 1200 | 16 |
| | ELL4GG3R9N | 3.9 | | 120 | | 1400 | 1150 | 19 |
| | ELL4GG4R7N | 4.7 | | 160 | | 1200 | 1000 | 21 |
| | ELL4GG5R6N | 5.6 | | 170 | | 1100 | 970 | 23 |
| | ELL4GG6R8N | 6.8 | 200 | 1050 | | 930 | 26 | |
| | ELL4GG8R2N | 8.2 | 220 | 1000 | | 870 | 29 | |
| | ELL4GG100M | 10.0 | ±20 % | 250 | | 900 | 770 | 31 |
| | ELL4GG120M | 12.0 | | 380 | | 800 | 650 | 32 |
| | ELL4GG150M | 15.0 | | 500 | | 700 | 580 | 33 |
| | ELL4GG220M | 22.0 | | 640 | | 600 | 500 | 36 |
| | ELL4GG330M | 33.0 | | 980 | | 450 | 400 | 39 |
| ELL4GG470M | 47.0 | 1250 | | 400 | 350 | 51 | | |
| ELL4GG101M | 100.0 | 2400 | | 290 | 250 | 56 | | |
| Series 4LG-A | ELL4LG1R0NA | 1.0 | ±30 % | 43 | ±20 % | 2200 | 1900 | 01 |
| | ELL4LG1R5NA | 1.5 | | 48 | | 1700 | 1800 | 06 |
| | ELL4LG2R2NA | 2.2 | | 55 | | 1500 | 1700 | 11 |
| | ELL4LG2R7NA | 2.7 | | 63 | | 1400 | 1550 | 13 |
| | ELL4LG3R3NA | 3.3 | | 72 | | 1300 | 1450 | 16 |
| | ELL4LG4R7NA | 4.7 | 90 | 1100 | | 1300 | 21 | |
| | ELL4LG6R2NA | 6.2 | 140 | 930 | | 1100 | 25 | |
| | ELL4LG100MA | 10.0 | ±20 % | 200 | | 800 | 950 | 31 |
| | ELL4LG150MA | 15.0 | | 300 | | 620 | 730 | 33 |
| | ELL4LG220MA | 22.0 | | 390 | | 550 | 640 | 36 |
| | ELL4LG330MA | 33.0 | | 610 | | 430 | 510 | 39 |
| | ELL4LG470MA | 47.0 | | 920 | | 360 | 410 | 51 |
| | ELL4LG680MA | 68.0 | | 1300 | | 270 | 350 | 53 |
| | ELL4LG101MA | 100.0 | | 2200 | | 250 | 260 | 56 |
| | ELL4LG151MA | 150.0 | | 3000 | | 220 | 220 | 59 |

*1 Saturation Rated Current : This DC current which causes a 30 % inductance reduction from its nominal value.

*2 Temperature Rise Current : This indicates the value of current when temperature rise dt/t= 40 °C (at 20 °C).

Design and specifications are each subject to change without notice. Ask factory for the current technical specifications before purchase and/or use.
Should a safety concern arise regarding this product, please be sure to contact us immediately.

Embossed Carrier Tape Dimensions in mm (not to scale)



单击下面可查看定价，库存，交付和生命周期等信息

[>>Panasonic\(松下\)](#)