

# Compact Flash Memory Card Series 5610/5620

|                   |                    |
|-------------------|--------------------|
| 極数 (No. of Pos.)  | 50                 |
| 極間隔 (Pitch)       | 1.27mm Grid        |
|                   | Tail Pitch 0.635mm |
| 定格電流 (Current)    | 0.5A Max.          |
| 定格電圧 (Voltage)    | 5V Max.            |
| 耐電圧 (D.W.Voltage) | 500Vrms/min.       |

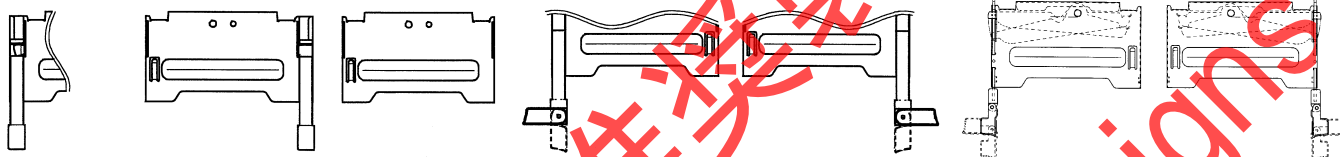
デジタルカメラ、ノートPC、PDA等、携帯用の小型機器などに使用されるコンパクトフラッシュ対応のメモリーカード用コネクタです。

ヘッダーは、自動実装に対応。ボタン位置、カスタムデザインにもフレキシブルに対応します。またノーマル仕様（ノーマル／リバース）に加え、カード下に部品実装が可能なスタンドオフタイプも用意しています。

Series 5610 and 5620 are memory card connector supporting Compact Flash that is used for such small-sized devices as Digital Still Camera, Laptop-PC, PDA, etc.

Series 5610 and Series 5620 consisted of header connector and ejector. The header supports auto-mounting processes. It flexibly complies with any kind of ejector-button position and customized design. In addition to the normal and reverse type, stand-off type can also be offered, which enables the components to be mounted on the back side of card.

## Ejector



LEFT STRAIGHT BUTTON    RIGHT STRAIGHT BUTTON    WITHOUT BUTTON    LEFT FOLDABLE BUTTON    RIGHT FOLDABLE BUTTON    LEFT FOLDABLE BUTTON (SLIM TYPE)    RIGHT FOLDABLE BUTTON (SLIM TYPE)

## 5610/TYPE I

| Connector style<br>Stand off / KEYING | Ejector style<br>Button side | 注文コード / Ordering Code |   |
|---------------------------------------|------------------------------|-----------------------|---|
|                                       |                              | Connector             | Ejector                                       |
| <br>Height=0, Normal                  | Straight                     | Left side             | 31 5610 050 500 871+    30 5610 000 001 000 + |
|                                       |                              | Right side            | 31 5610 050 500 871+    30 5610 000 002 000 + |
|                                       | Foldable                     | Left side             | 31 5610 050 500 871+    30 5610 000 005 000 + |
|                                       |                              | Right side            | 31 5610 050 500 871+    30 5610 000 006 000 + |
|                                       | Foldable Slim                | Left side             | 31 5610 050 500 871+    30 5610 000 904 000 + |
|                                       |                              | Right side            | 31 5610 050 500 871+    30 5610 000 903 000 + |
| <br>Height=0, Reverse                 | Straight                     | Left side             | 31 5610 050 550 871+    30 5610 000 001 000 + |
|                                       |                              | Right side            | 31 5610 050 550 871+    30 5610 000 002 000 + |
|                                       | Foldable                     | Left side             | 31 5610 050 550 871+    30 5610 000 005 000 + |
|                                       |                              | Right side            | 31 5610 050 550 871+    30 5610 000 006 000 + |
|                                       | Foldable Slim                | Left side             | 31 5610 050 550 871+    30 5610 000 904 000 + |
|                                       |                              | Right side            | 31 5610 050 550 871+    30 5610 000 903 000 + |
| <br>Height=2.2, Normal                | Straight                     | Left side             | 31 5610 050 210 871+    30 5610 000 001 000 + |
|                                       |                              | Right side            | 31 5610 050 210 871+    30 5610 000 002 000 + |
|                                       | Foldable                     | Left side             | 31 5610 050 210 871+    30 5610 000 005 000 + |
|                                       |                              | Right side            | 31 5610 050 210 871+    30 5610 000 006 000 + |
|                                       | Foldable Slim                | Left side             | 31 5610 050 210 871+    30 5610 000 904 000 + |
|                                       |                              | Right side            | 31 5610 050 210 871+    30 5610 000 903 000 + |
| <br>Height=2.2, Reverse               | Straight                     | Left side             | 31 5610 050 260 871+    30 5610 000 001 000 + |
|                                       |                              | Right side            | 31 5610 050 260 871+    30 5610 000 002 000 + |
|                                       | Foldable                     | Left side             | 31 5610 050 260 871+    30 5610 000 005 000 + |
|                                       |                              | Right side            | 31 5610 050 260 871+    30 5610 000 006 000 + |
|                                       | Foldable Slim                | Left side             | 31 5610 050 260 871+    30 5610 000 904 000 + |
|                                       |                              | Right side            | 31 5610 050 260 871+    30 5610 000 903 000 + |
|                                       | Without                      | Without               | All Products    70 5610 100 000 000 +         |

## 5620/TYPE II

| Connector style<br>Stand off / KEYING | Ejector style<br>Button side | 注文コード / Ordering Code |   |                                       |
|---------------------------------------|------------------------------|-----------------------|---|---------------------------------------|
|                                       |                              | Connector             | Ejector                                       |                                       |
| <br>Height=0, Normal                  | Straight                     | Left side             | 31 5620 050 116 871+    30 5620 000 001 000 + |                                       |
|                                       |                              | Right side            | 31 5620 050 116 871+    30 5620 000 002 000 + |                                       |
|                                       | Foldable                     | Left side             | 31 5620 050 116 871+    30 5620 000 005 000 + |                                       |
|                                       |                              | Right side            | 31 5620 050 116 871+    30 5620 000 006 000 + |                                       |
| <br>Height=2.0, Reverse               | Straight                     | Left side             | 31 5620 050 716 871+    30 5610 000 001 000 + |                                       |
|                                       |                              | Right side            | 31 5620 050 716 871+    30 5610 000 002 000 + |                                       |
|                                       | Foldable                     | Left side             | 31 5620 050 716 871+    30 5610 000 005 000 + |                                       |
|                                       |                              | Right side            | 31 5620 050 716 871+    30 5610 000 006 000 + |                                       |
|                                       | Foldable Slim                | Left side             | 31 5620 050 716 871+    30 5610 000 904 000 + |                                       |
|                                       |                              | Right side            | 31 5620 050 716 871+    30 5610 000 903 000 + |                                       |
|                                       |                              | Without               | Without                                       | All Products    70 5610 100 000 000 + |

# Compact Flash Memory Card Connectors

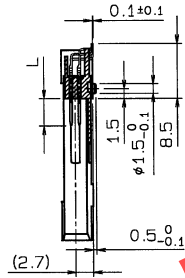
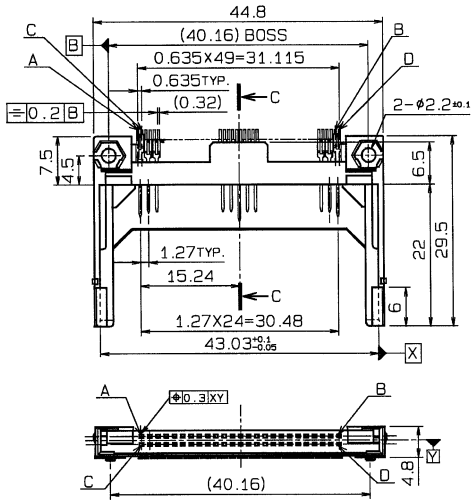
SERIES

# 5610

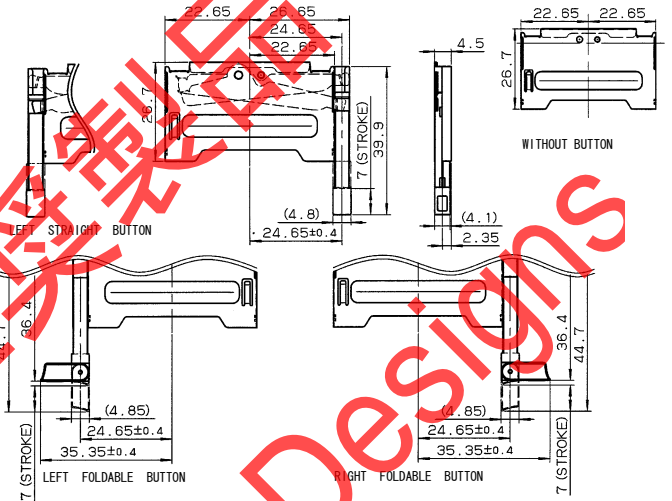
Type I Stand off H=0mm

● Connector

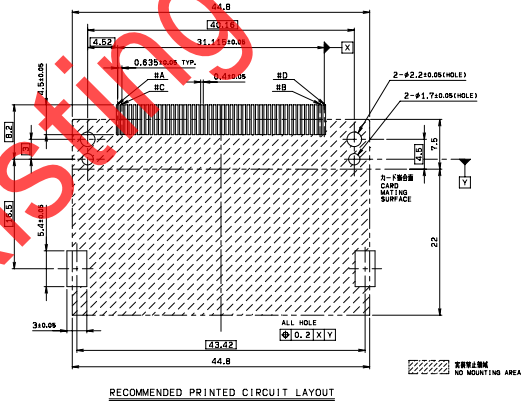
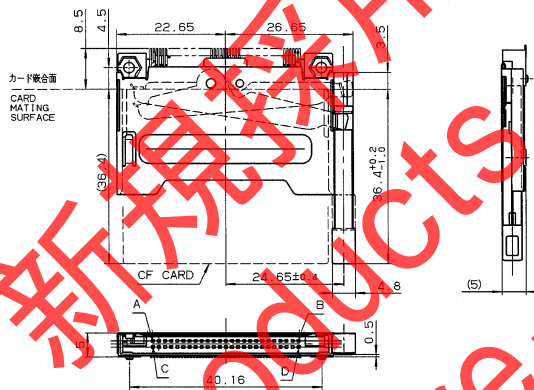
● Ejector



|         | A   | B   | C   | D   |
|---------|-----|-----|-----|-----|
| NORMAL  | #1  | #25 | #26 | #50 |
| REVERSE | #50 | #26 | #25 | #1  |



● Assembly



|         | A   | B   | C   | D   |
|---------|-----|-----|-----|-----|
| NORMAL  | #1  | #25 | #26 | #50 |
| REVERSE | #50 | #26 | #25 | #1  |

RoHS 対応品  
RoHS Compliant Product

| Connector style | Ejector style |             | Ordering Code        |                       |
|-----------------|---------------|-------------|----------------------|-----------------------|
|                 | Style         | Button side | Connector            | Ejector               |
| Normal          | Straight      | Left side   | 31 5610 050 500 871+ | 30 5610 000 001 000 + |
|                 |               | Right side  | 31 5610 050 500 871+ | 30 5610 000 002 000 + |
|                 | Foldable      | Left side   | 31 5610 050 500 871+ | 30 5610 000 005 000 + |
|                 |               | Right side  | 31 5610 050 500 871+ | 30 5610 000 006 000 + |
|                 | Foldable Slim | Left side   | 31 5610 050 500 871+ | 30 5610 000 904 000 + |
|                 |               | Right side  | 31 5610 050 500 871+ | 30 5610 000 903 000 + |
|                 | Without       | Without     | 31 5610 050 500 871+ | 70 5610 100 000 000 + |
| Reverse         | Straight      | Left side   | 31 5610 050 550 871+ | 30 5610 000 001 000 + |
|                 |               | Right side  | 31 5610 050 550 871+ | 30 5610 000 002 000 + |
|                 | Foldable      | Left side   | 31 5610 050 550 871+ | 30 5610 000 005 000 + |
|                 |               | Right side  | 31 5610 050 550 871+ | 30 5610 000 006 000 + |
|                 | Foldable Slim | Left side   | 31 5610 050 550 871+ | 30 5610 000 904 000 + |
|                 |               | Right side  | 31 5610 050 550 871+ | 30 5610 000 903 000 + |
|                 | Without       | Without     | 31 5610 050 550 871+ | 70 5610 100 000 000 + |

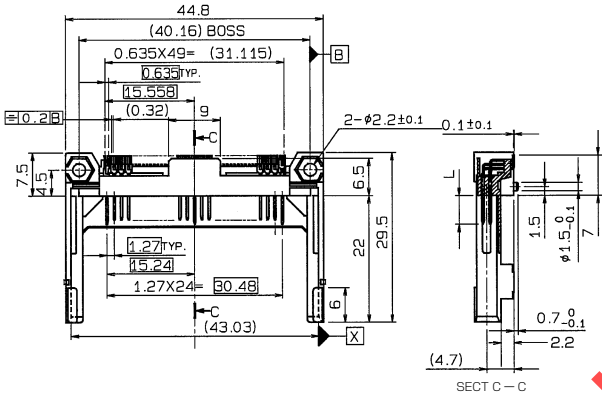
# Compact Flash Memory Card Connectors

SERIES

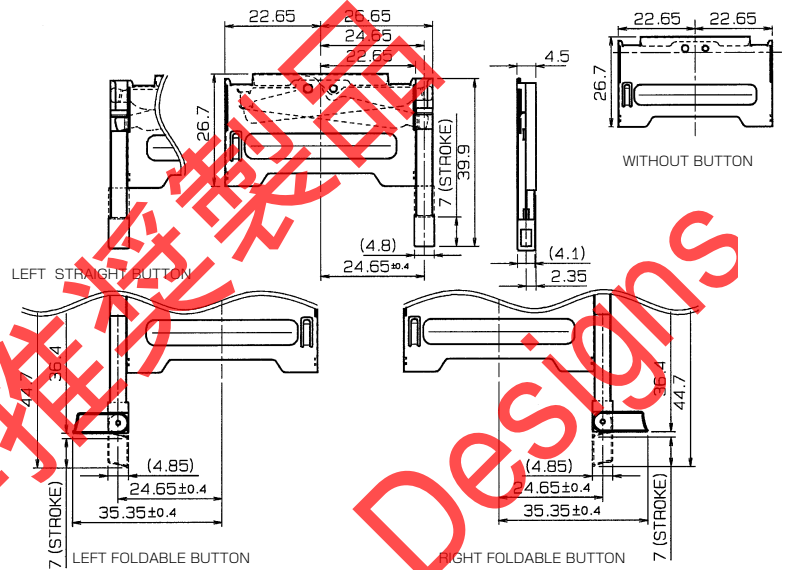
# 5610

Type I Stand off H=2.2mm

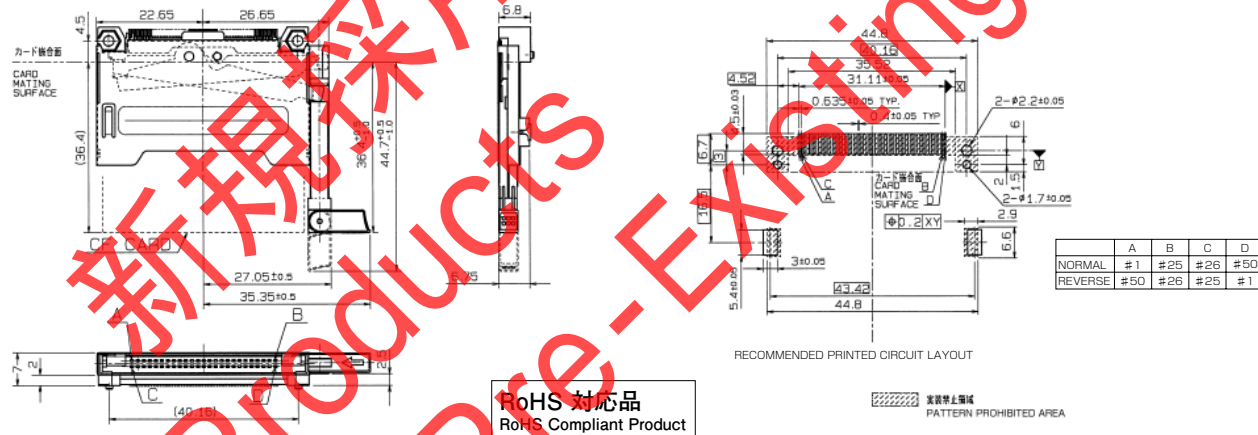
● Connector



● Ejector



● Assembly



RoHS 対応品  
RoHS Compliant Product

| Connector style | Ejector style |             | Ordering Code        |                       |
|-----------------|---------------|-------------|----------------------|-----------------------|
|                 | Style         | Button side | Connector            | Ejector               |
| Normal          | Straight      | Left side   | 31 5610 050 210 871+ | 30 5610 000 001 000 + |
|                 |               | Right side  | 31 5610 050 210 871+ | 30 5610 000 002 000 + |
|                 | Foldable      | Left side   | 31 5610 050 210 871+ | 30 5610 000 005 000 + |
|                 |               | Right side  | 31 5610 050 210 871+ | 30 5610 000 006 000 + |
|                 | Foldable Slim | Left side   | 31 5610 050 210 871+ | 30 5610 000 904 000 + |
|                 |               | Right side  | 31 5610 050 210 871+ | 30 5610 000 903 000 + |
|                 | Without       | Without     | 31 5610 050 210 871+ | 70 5610 100 000 000 + |
| Reverse         | Straight      | Left side   | 31 5610 050 260 871+ | 30 5610 000 001 000 + |
|                 |               | Right side  | 31 5610 050 260 871+ | 30 5610 000 002 000 + |
|                 | Foldable      | Left side   | 31 5610 050 260 871+ | 30 5610 000 005 000 + |
|                 |               | Right side  | 31 5610 050 260 871+ | 30 5610 000 006 000 + |
|                 | Foldable Slim | Left side   | 31 5610 050 260 871+ | 30 5610 000 904 000 + |
|                 |               | Right side  | 31 5610 050 260 871+ | 30 5610 000 903 000 + |
|                 | Without       | Without     | 31 5610 050 260 871+ | 70 5610 100 000 000 + |

单击下面可查看定价，库存，交付和生命周期等信息

[>>AVX](#)