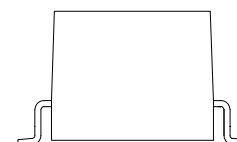
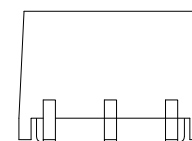
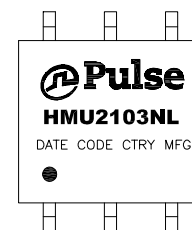




NOTES:

1. ROHS COMPLIANT
2. STORAGE TEMPERATURE: -50°C TO +125°C
3. COMPLIANCE TO J-STD:
  - A. J-STD-002: SOLDERABILITY AT 245°C REFLOW PROFILE
  - B. J-STD-020: LEVEL 1, NO MOISTURE SENSITIVE
  - C. J-STD-075: R7, 245°C MAXIMUM THROUGH REFLOW SOLDER
4. TO ORDER TAPE & REEL PACKAGING ADD A "T" SUFFIX TO THE PART NUMBER(i.e HXXXXXXNL BECOMES HXXXXXXNLT).
5. PACKING SPECIFICATION:  
 REEL SIZE: 330mm  
 TAPE WIDTH: 16mm  
 TAPE PITCH: 12mm  
  
 COMPONENTS PER REEL: 700 pcs



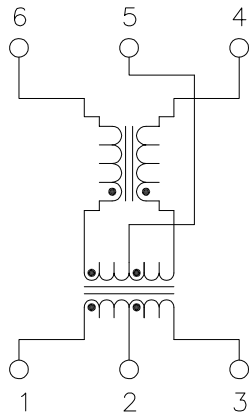
FINAL OUTLINE

© Copyright, 2017. Pulse Electronics Corp. All rights reserved. Pulse confidential & proprietary. (09/01/17)

| PRODUCT DESCRIPTION                 | TLA DRAWING  | PS DRAWING    | SHEET  | PART NO.  | DATASHEET REV. |
|-------------------------------------|--------------|---------------|--------|-----------|----------------|
| TRANSFORMER/CMC,4.3kVDC ISO,SGL,SMT | HMU2103NL-12 | PS-2303.002-A | 1 OF 5 | HMU2103NL | E              |



ELECTRICAL CHARACTERISTICS AT +25°C UNLESS OTHER SPECIFIED  
(FOR REFERENCE ONLY. USED FOR CUSTOMER INFORMATION.)

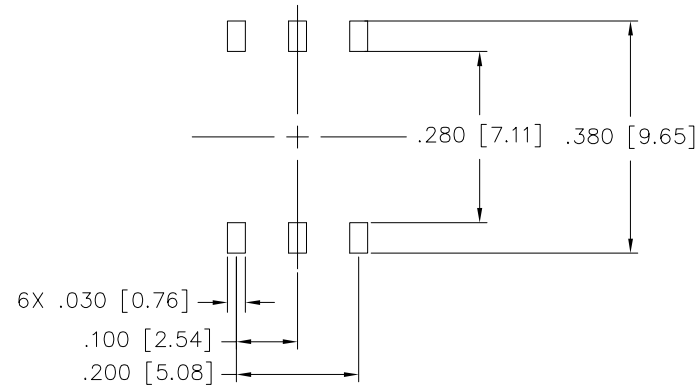
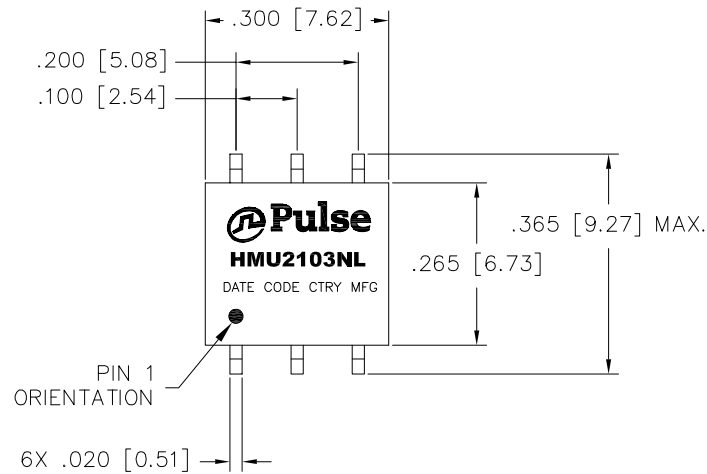


SCHEMATIC

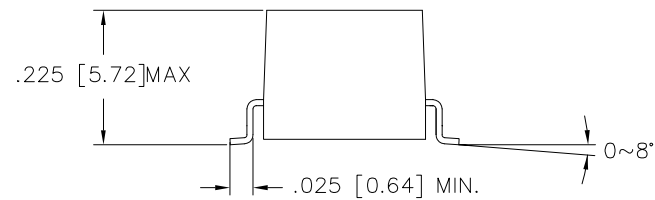
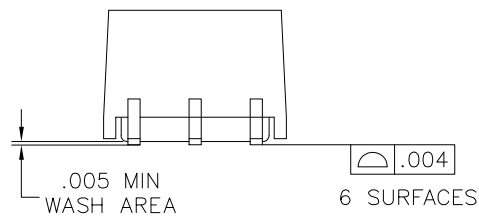
| PARAMETER                                                     | SPECIFICATIONS          |               |
|---------------------------------------------------------------|-------------------------|---------------|
| QUALIFICATION                                                 | PER AEC-Q200            |               |
| OPERATING TEMPERATURE                                         | -40°C TO +125°C         |               |
| TURNS RATIO                                                   | 1.00 ± 2%               |               |
| POLARITY                                                      | PER SCHEMATIC           |               |
| DC RESISTANCE                                                 | TRANSFORMER SIDE        | CM CHOKE SIDE |
|                                                               | 0.35 OHMS MAX           | 0.80 OHMS MAX |
| ▽ INDUCTANCE (OCL)<br>AT 100 kHz, 100 mV<br>(-40°C TO +125°C) | 150 uH MIN, 370 uH MAX  |               |
| ▽ INSERTION LOSS                                              | 0.30 dB MAX @ 4 MHz     |               |
| RETURN LOSS<br>(Z OUT = 100 OHM ±15%)                         | 20 dB MIN @ 4 MHz       |               |
| COMMON MODE<br>REJECTION RATIO                                | 1 - 10 MHz              | 10-1000 MHz   |
|                                                               | -35 dB MIN              | -20 dB MIN    |
| ▽ INPUT - OUTPUT<br>ISOLATION                                 | 4300 VDC FOR 60 SECONDS |               |
| WORKING VOLTAGE                                               | 1000 VDC FOR 15 YEARS   |               |
| CREEPAGE DISTANCE                                             | > 5mm                   |               |

NOTE: "▽" IS SPECIAL CHARACTERISTIC.

| PRODUCT DESCRIPTION                 | TLA DRAWING  | PS DRAWING    | SHEET  | PART NO.  | DATASHEET REV. |
|-------------------------------------|--------------|---------------|--------|-----------|----------------|
| TRANSFORMER/CMC,4.3kVDC ISO,SGL,SMT | HMU2103NL-12 | PS-2303.002-A | 2 OF 5 | HMU2103NL | E              |



SUGGESTED LAND PATTERN



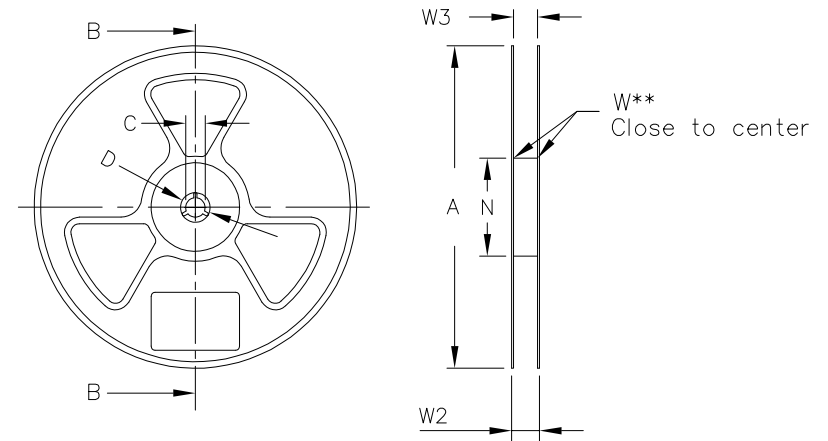
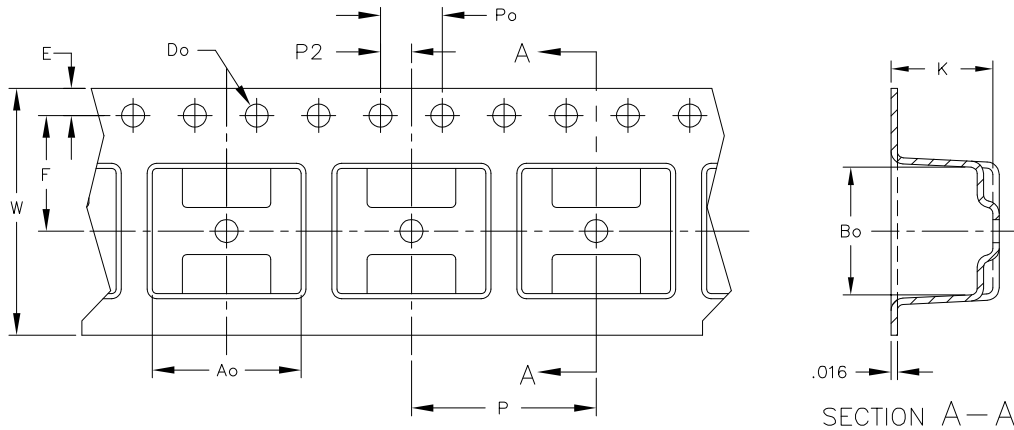
DIMENSIONS ARE IN INCHES [MILLIMETERS] WITH THE FOLLOWING TOLERANCES: [MILLIMETERS] ARE FOR REFERENCE ONLY.  
.XX = ±.01 [±0.25]  
.XXX = ±.005 [±0.13]

© Copyright, 2017. Pulse Electronics Corp. All rights reserved. Pulse confidential & proprietary. (09/01/17)

| PRODUCT DESCRIPTION                 | TLA DRAWING  | PS DRAWING    | SHEET  | PART NO.  | DATASHEET REV. |
|-------------------------------------|--------------|---------------|--------|-----------|----------------|
| TRANSFORMER/CMC,4.3kVDC ISO,SGL,SMT | HMU2103NL-12 | PS-2303.002-A | 3 OF 5 | HMU2103NL | E              |

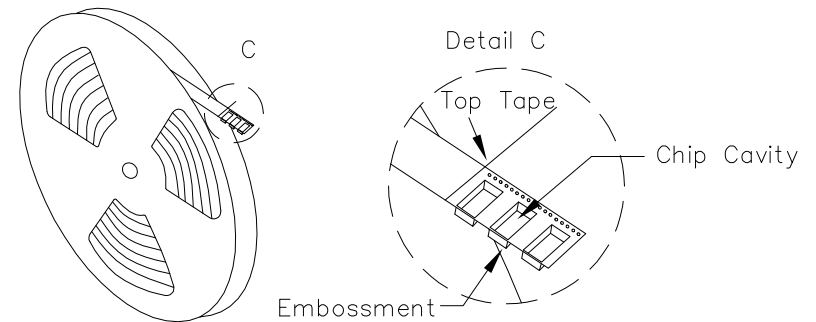
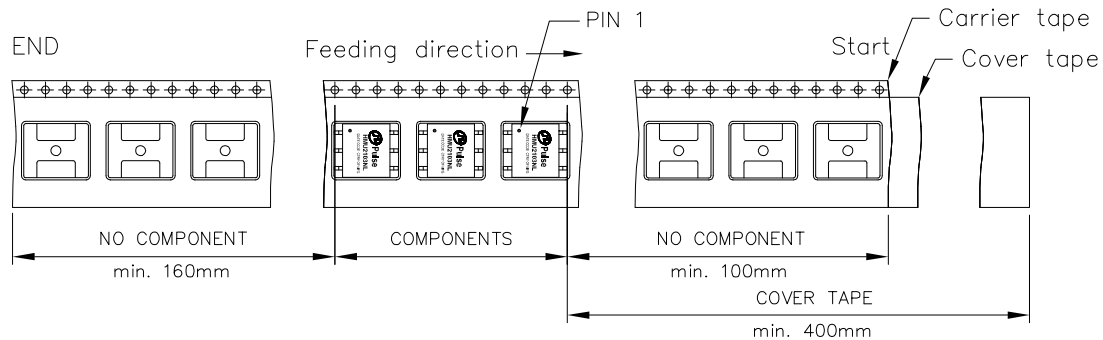


USER DIRECTION OF FEED →



| ITEM | W  | P  | A <sub>o</sub> | B <sub>o</sub> | K   | T    | C | D <sub>o</sub> | E    | F   | P <sub>o</sub> |
|------|----|----|----------------|----------------|-----|------|---|----------------|------|-----|----------------|
| DIM  | 16 | 12 | 9.65           | 8.28           | 6.6 | 0.40 |   | 1.5            | 1.75 | 7.5 | 4.0            |

|            | A  | B      | C    | D     | N     | W1     | W2   | W3   | W3   |       |
|------------|----|--------|------|-------|-------|--------|------|------|------|-------|
| Tolerance  |    | min.   | ±0.8 | min.  | min.  | +2.0   | max. | min. | max. |       |
| Tape width | mm | 330.00 | 1.50 | 13.00 | 20.20 | 100.00 | 16.4 | 18.4 | 16.4 | 18.39 |



ALL DIMENSIONS ARE IN MILLIMETERS WITH THE FOLLOWING TOLERANCES: ±0.10

© Copyright, 2017. Pulse Electronics Corp. All rights reserved. Pulse confidential & proprietary. (09/01/17)

| PRODUCT DESCRIPTION                 | TLA DRAWING  | PS DRAWING    | SHEET  | PART NO.  | DATASHEET REV. |
|-------------------------------------|--------------|---------------|--------|-----------|----------------|
| TRANSFORMER/CMC,4.3kVDC ISO,SGL,SMT | HMU2103NL-12 | PS-2303.002-A | 4 OF 5 | HMU2103NL | E              |



## REVISION HISTORY:

| REV | DESCRIPTION                                                                          |
|-----|--------------------------------------------------------------------------------------|
| A   | NEW DS                                                                               |
| B   | CHANGE OCL FROM 170 $\mu$ H MIN, 350 $\mu$ H MAX TO 150 $\mu$ H MIN, 370 $\mu$ H MAX |
| C   | CHANGE QUALIFICATION FROM AEC-Q200 (PENDING) TO PER AEC-Q200                         |
| D   | CHANGE NEW "ROHS" AND "AEC-Q200" LOGO                                                |
| E   | ADD SC WITH "▽" AND PACKING INFORMATION                                              |
|     |                                                                                      |
|     |                                                                                      |
|     |                                                                                      |

© Copyright, 2017. Pulse Electronics Corp. All rights reserved. Pulse confidential & proprietary. (09/01/17)

| PRODUCT DESCRIPTION                 | TLA DRAWING  | PS DRAWING    | SHEET  | PART NO.  | DATASHEET REV. |
|-------------------------------------|--------------|---------------|--------|-----------|----------------|
| TRANSFORMER/CMC,4.3kVDC ISO,SGL,SMT | HMU2103NL-12 | PS-2303.002-A | 5 OF 5 | HMU2103NL | E              |

单击下面可查看定价，库存，交付和生命周期等信息

[>>Pulse Electronics\(普思\)](#)