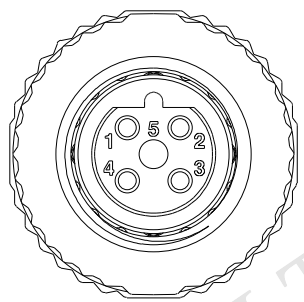
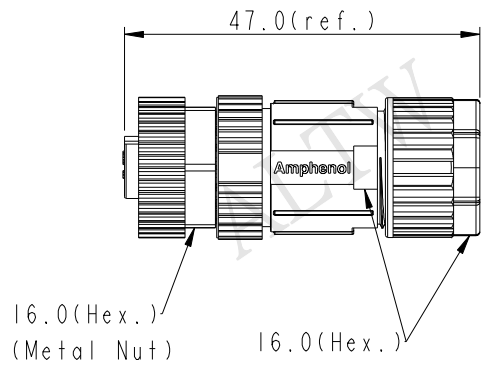
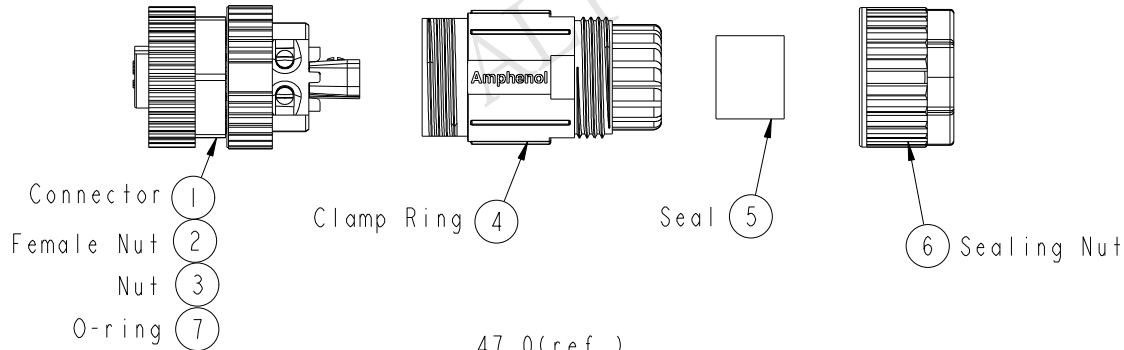


REV.	ECN NO.	DATE	SIGN	DESCRIPTION
A	Initial Release	2015/10/08	Mila	Change Rev.01 To Rev.A

ALTW
CONFIDENTIAL
 2015-10-08
 R&D DEPT.

ALTW
 DCC. DEPT.
 CONFIDENTIAL
 2015.10.28
 ISSUED



Pin Assignments
 Front View

UNIT:mm		
TOLERANCE	±0.5mm	

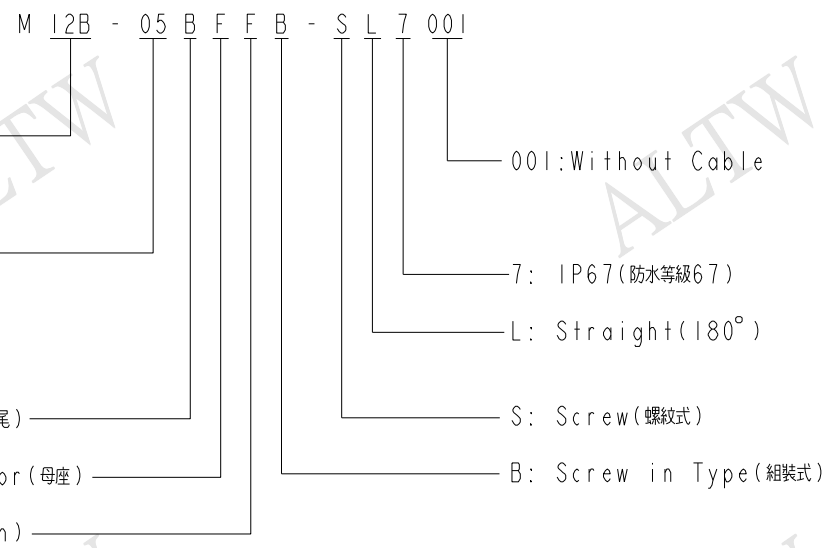
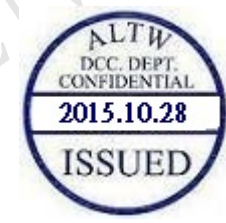
TITLE M12 B-Code Unshielded Assy 5Pin F Conn. F Pin			
SCALE 1:1	SIZE A4	SHEET 1 OF 2	
REV. A	WC-REV. A.2	QC: Inspection item	

Amphenol LTW
 安費諾亮泰企業股份有限公司

ITEM NO. M12B-05BFFB-SL7001	DRAWN BY Mila	DATE 2015-10-08
DWG NO. M12B-05BFFB-SL7001	CHECKED BY Cary	DATE 2015-10-08
CUSTOMER ALTW	APPROVED BY Jerry	DATE 2015-10-08

THIS DOCUMENT IS SUBJECT TO CHANGE WITHOUT NOTICE. IT IS CONFIDENTIAL AND A PROPERTY OF Amphenol LTW. DISCLOSURE TO THIRD PARTY HAS TO BE AUTHORIZED BY Amphenol LTW.

THIS DOCUMENT IS SUBJECT TO CHANGE WITHOUT NOTICE. IT IS CONFIDENTIAL AND A PROPERTY OF AMPHENOL LTW. DISCLOSURE TO THIRD PARTY HAS TO BE AUTHORIZED BY AMPHENOL LTW.



- Note:
- * QC Important Dimension To Check.
 - * Waterproof Rate: IP67
 - * Housing: Nylon,Black
 - * Female Pin: Copper Alloy, Gold Plated
 - * Female Nut: Zinc Alloy, Nickel Plated
 - * Nut:PBT+PC,Black
 - * O-Ring: Silicon,Grey.
 - * Clamp Ring: Nylon,Black
 - * Sealing Nut:PBT+PC,Black
 - * Seal: Silicon,Grey
 - * Seal For Cable OD: $\varnothing 4.0\text{mm} \sim \varnothing 8.0\text{mm}$
 - * Screws for Wire connection recommended
tightening torque: 0.61~0.84 kgf.cm / 0.059~0.082 N.m
 - * Applicable Wire gauge (Stranded wire cross section)
0.14mm² (26AWG) ~ 0.82mm² (18AWG)
 - * Mating Recommended tightening torque:
3~4 kgf.cm / 0.29~0.39 N.m
 - * Sealing-Nut Recommended tightening torque:
4~6 kgf.cm / 0.39~0.59 N.m
 - * Detailed applicable wire specifications may vary depending on the actual wire construction.

A	UNIT:mm		TITLE M12 B-Code Unshielded Assy 5Pin F Conn. F Pin		ITEM NO M12B-05BFFB-SL7001		DRAWN BY Mila	DATE 2015-10-08
	TOLERANCE $\pm 0.5\text{mm}$		SCALE 1:1	SIZE A4	SHEET 2 OF 2	DWG NO M12B-05BFFB-SL7001	CHECKED BY Cary	DATE 2015-10-08
			REV. A	WC-REV. A.2	QC : Inspection item	CUSTOMER ALTW	APPROVED BY Jerry	DATE 2015-10-08

Amphenol LTW
安費諾亮泰企業股份有限公司

单击下面可查看定价，库存，交付和生命周期等信息

[>>Amphenol\(安费诺\)](#)