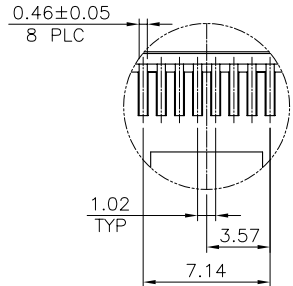
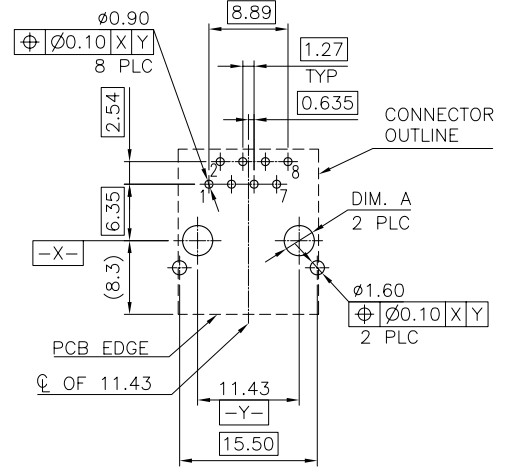
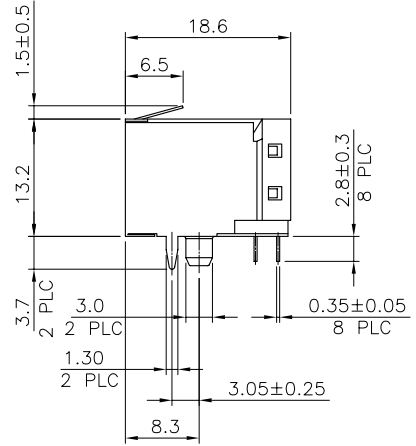
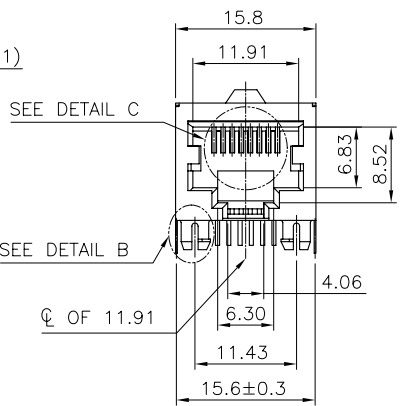
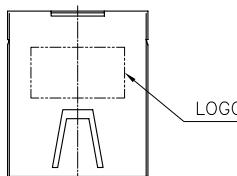


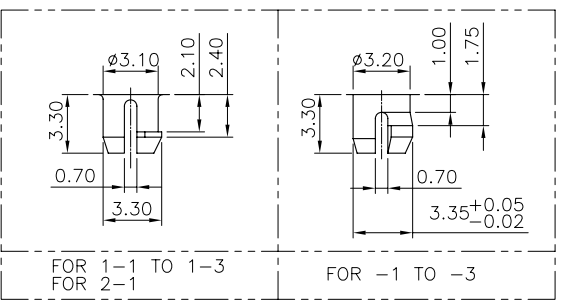
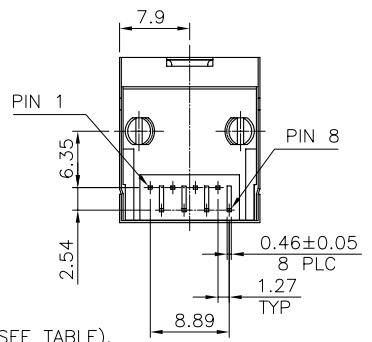
| LOC | DIST | REVISIONS | | | | | |
|-----|------|-----------|-----|-------------------------|---------|-----|------|
| DW | - | P | LTR | DESCRIPTION | DATE | DWN | APVD |
| | | | A2 | REVISED (ECR-11-012100) | 10JUN11 | SC | WK |



DETAIL C (SCALE 2:1)



RECOMMENDED PCB LAYOUT
 RECOMMENDED PCB THICKNESS: 1.6mm
 TOLERANCE: ±0.05 (TOP VIEW)



DETAIL B (SCALE 2:1)

- NOTE:
- MATERIAL:
 HOUSING: PA46, WITH 30% GF,
 UL 94V-0, COLOR : (SEE TABLE).
 CONTACTS: PHOSPHOR BRONZE.
 SHELL: BRASS.
 - FINISH:
 CONTACTS: (SEE TABLE) GOLD PLATED ON CONTACT AREA,
 GOLD FLASH ON SOLDER TAIL,
 WITH ENTIRE CONTACT UNDERPLATED
 1.27µm [50µ"] MIN. NICKEL.
 SHELL: 0.508µm [20µ"] MIN. NICKEL PLATED.
 - WAVE SOLDER CAPABLE TO 265°C PER TE SPEC 109-202, CONDITION B.

△ OBSOLETE PARTS: OBSOLETE CIS STREAMLINING PER D.RENAUD/D.SINISI

| | | | | |
|----------|---------------|----------------|---------------------|-------------|
| OBSOLETE | BLACK | YELLOW (114C) | 0.381µm [15µ"] | 2-1734264-1 |
| | | 0.320 | 1.27µm [50µ"] | 1-1734264-3 |
| OBSOLETE | BLACK | 0.320 | 0.762µm [30µ"] | 1-1734264-2 |
| | | | 0.381µm [15µ"] | 1-1734264-1 |
| | | 0.340 | 1.27µm [50µ"] | 1-1734264-3 |
| | | | 0.762µm [30µ"] | 1-1734264-2 |
| | | 0.381µm [15µ"] | 1-1734264-1 | |
| | HOUSING COLOR | DIM. A | MIN. GOLD THICKNESS | PART NUMBER |

| | | | | | |
|---|--|--------------------|-------------------------------|--|-------------------------|
| THIS DRAWING IS A CONTROLLED DOCUMENT. | | DWN B. HSING | 01JUL2009 | TE Connectivity MODULAR JACK, RJ45, 8P8C, SIDE ENTRY, RIGHT ANGLE, WITH PANEL GROUND, LOW PROFILE | |
| DIMENSIONS: MM | | CHK S. CHIEN | 01JUL2009 | | |
| TOLERANCES UNLESS OTHERWISE SPECIFIED: | | APVD W. KODAMA | 01JUL2009 | | |
| 0 PLC ± - 1 PLC ± 0.30 2 PLC ± 0.20 3 PLC ± 0.15 4 PLC ± - ANGLES ± 3° | | NAME 108-57527 | PRODUCT SPEC | | |
| MATERIAL SEE NOTE | | FINISH SEE NOTE | APPLICATION SPEC 501-57604 | WEIGHT 4.95 GRAMS | SIZE A3 |
| | | CUSTOMER DRAWING | | CAGE CODE 00779 | DRAWING NO G=1734264 |
| | | | | RESTRICTED TO - | SCALE - |
| | | | | SHEET 1 OF 2 | REV A2 |

4

3

2

1

THIS DRAWING IS UNPUBLISHED.

RELEASED FOR PUBLICATION

AUG., 2006.

© COPYRIGHT BY TYCO ELECTRONICS CORPORATION.

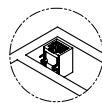
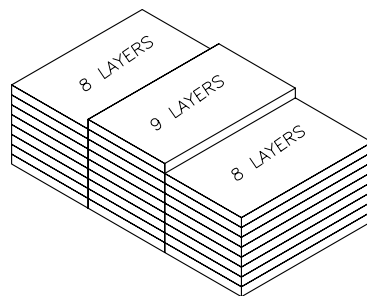
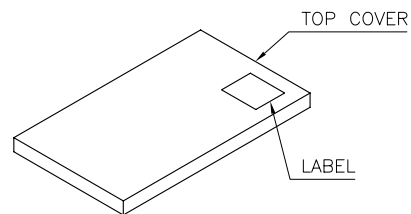
ALL RIGHTS RESERVED.

LOC DW

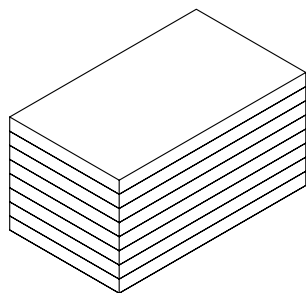
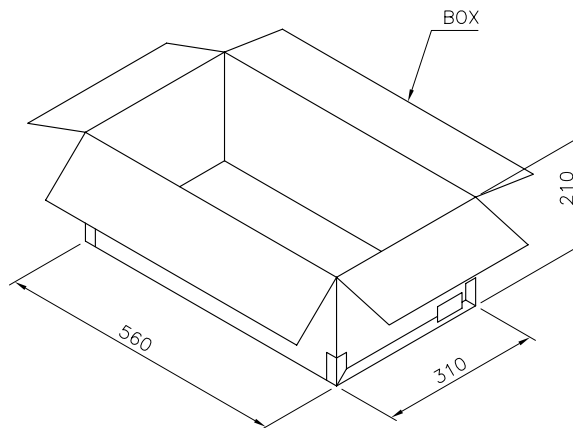
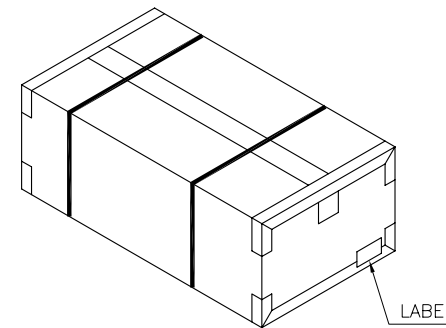
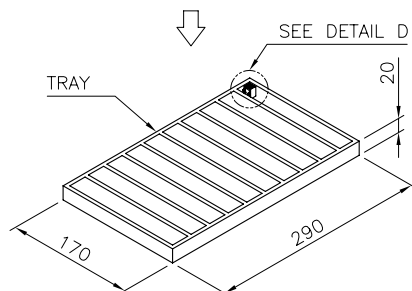
DIST

REVISIONS

| P | LTR | DESCRIPTION | DATE | DWN | APVD |
|---|-----|--------------|------|-----|------|
| | | SEE SHEET 1. | | | |



DETAIL D



| | | | | |
|---------------------|-------------------|----------|------------|----------|
| 14.4 Kg | 12.4 Kg | 100 | 25 | 2500 PCS |
| GROSS WEIGHT (Ref.) | NET WEIGHT (Ref.) | PCS/TRAY | TRAYS /BOX | QUANTITY |

| | | | | | |
|--|--|------------------|---|-----------|------------|
| THIS DRAWING IS A CONTROLLED DOCUMENT. | | DWN | TE TE Connectivity | | |
| DIMENSIONS: MM | | CHK | | | |
| TOLERANCES UNLESS OTHERWISE SPECIFIED: | | APVD | NAME | | |
| 0 PLC ± - | | PRODUCT SPEC | MODULAR JACK, RJ45, 8P8C, SIDE ENTRY, RIGHT ANGLE, WITH PANEL GROUND, LOW PROFILE | | |
| 1 PLC ± - | | APPLICATION SPEC | SIZE | CAGE CODE | DRAWING NO |
| 2 PLC ± - | | WEIGHT | A3 | 00779 | G=1734264 |
| 3 PLC ± - | | CUSTOMER DRAWING | SCALE | SHEET | REV |
| 4 PLC ± - | | | | 2 OF 2 | A2 |
| ANGLES ± - | | | | | |
| FINISH | | | | | |
| MATERIAL | | | | | |

单击下面可查看定价，库存，交付和生命周期等信息

[>>TE Connectivity\(泰科\)](#)