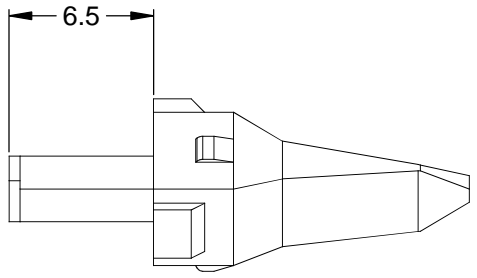
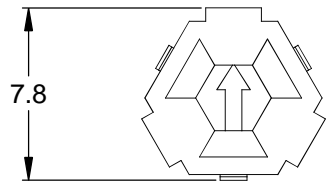
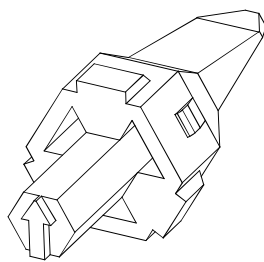
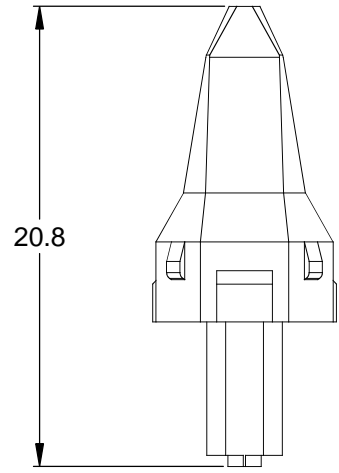


REVISIONS					
REV	ECO	DESCRIPTION	DATE	BY	APPR
A3		RELEASE NEW DWG FORMAT	18/SEP/13	DRP	



NOTES: UNLESS OTHERWISE SPECIFIED

1. MATERIAL: THERMOPLASTIC; COLOR: GREEN
2. RoHS COMPLIANT
3. CAVITIES: 3
4. KEYED: N/A
5. USE WITH CONNECTORS AT04-3P\*  
(\* = MODIFICATIONS AND COLORS)
6. ALL DIMENSIONS ARE FOR REFERENCE USE ONLY.

AW3P					
QUANTITY	PART NUMBER	DESCRIPTION			ITEM
<b>MATERIALS LIST</b>					
<small>UNLESS OTHERWISE SPECIFIED</small> 1) All dimensions are in metric(mm). 2) Tolerances are as follows: 1 PL DEC ±0.30 2 PL DEC ±0.15 3 PL DEC ±0.08 3) Note reference =		<small>SIGNATURES</small> DRAWN: D.PARKS CHECKED: ENGINEER: APPROVAL: CUSTOMER:		<small>DATE</small> 18/SEP/13	
<small>MATERIAL SPECIFICATIONS:</small>		<small>THIS DRAWING IS SUPPLIED FOR INFORMATION ONLY. DESIGN FEATURES, SPECIFICATIONS AND PERFORMANCE DATA SHOWN HEREON ARE THE PROPERTY OF THE AMPHENOL CORPORATION. NO RIGHTS OF REPRODUCTION ARE IMPLIED. ALL DIMENSIONS ARE SUBJECT TO NORMAL MANUFACTURING VARIATIONS.</small>		<h1 style="margin: 0;">Amphenol</h1> <p style="margin: 0;">Sine Systems - www.amphenol-sine.com 44724 Morley Drive Clinton Township, MI 48036</p>	
<small>PROCESS SPECIFICATIONS:</small>		<small>SIZE</small> <span style="font-size: 2em; font-weight: bold;">A C-</span>		<small>REVISION</small> <span style="font-size: 2em; font-weight: bold;">A3</span>	
<small>NEXT ASSY:</small>		<small>SCALE:</small> NONE		<small>DESCRIPTION</small> P-WEDGELOCK, 3 POSITION, AT SERIES	
				<small>DWG NO:</small> <span style="font-size: 1.5em; font-weight: bold;">AW3P</span>	
				<small>SHEET</small> 1 <small>OF</small> 1	

单击下面可查看定价，库存，交付和生命周期等信息

[>>Amphenol\(安费诺\)](#)