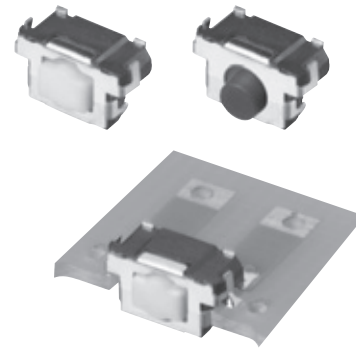


6.2 mm×2.5 mm Side-operational Edge Mount

Light Touch Switches

Type: **EVQP4**



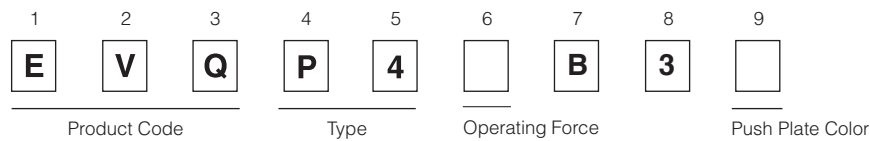
■ Features

- External dimensions : 6.2 mm×2.55 mm (Excluding the push plate), Height 3.5 mm (Printed circuit board being as low as 1.35 mm)
- Side-operational Middle Travel (0.7 mm) with a high operating force (5.0 N)
- Improved soldering strength in the operating direction when mounted on PC board edge

■ Recommended Applications

- Operation switches for portable electronic equipment (Mobile phones, Digital still cameras, Camcorders, Portable audio players, etc.)
- Keyless entry (car electronics)
- Car audio equipment

■ Explanation of Part Numbers


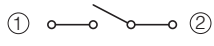
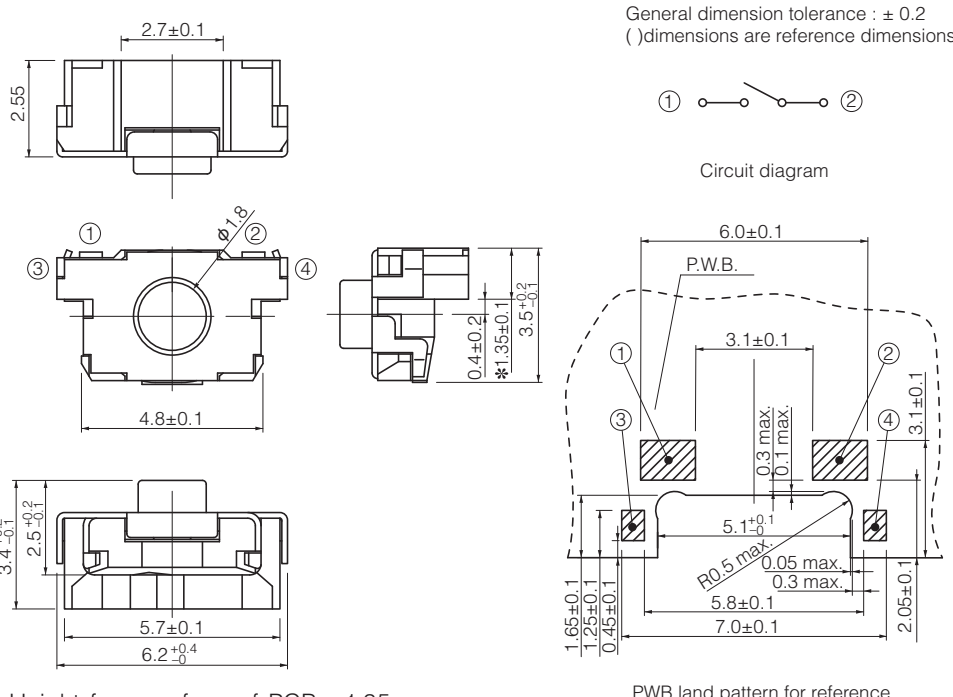

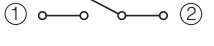
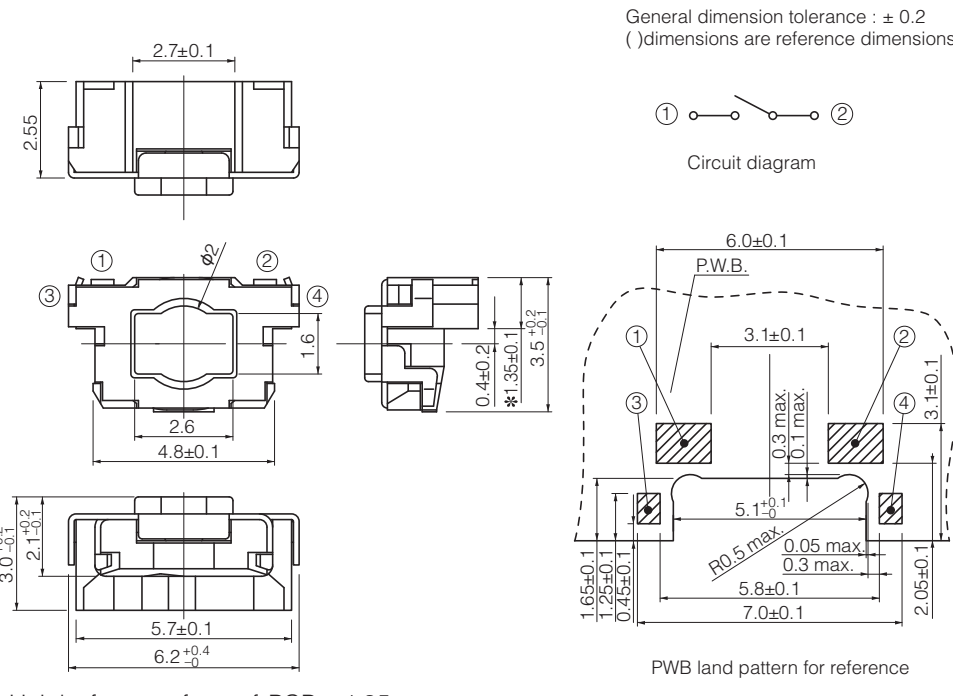


■ Specifications

| Travel Type | | Middle Travel | Short Travel |
|-------------------------------|---------------------------------|--|--|
| Type | | Snap action / Push-on type SPST | |
| Electrical | Rating | 10 μA 2 V DC to 20 mA 15 V DC (Resistive load) | |
| | Contact Resistance | 100 mΩ max. | |
| | Insulation Resistance | 100 MΩ min. (at 100 V DC) | |
| | Dielectric Withstanding Voltage | 250 V AC for 1 minute | |
| | Bouncing | 10 ms max. (ON, OFF) | |
| Mechanical | Operating Force | 2.5 N, 3.5 N, 5.0 N | 1.0 N, 1.6 N, 2.4 N, 3.5 N |
| | Travel | 0.70 mm±0.2 mm | 0.25 mm ^{+0.05} / _{-0.15} mm |
| | Push Strength | 50 N (1 minute) | |
| Endurance | Operating Life | 2.5 N:1,000,000 cycles min. | 1.0 N, 1.6 N:1,000,000 cycles min. |
| | | 3.5 N: 500,000 cycles min. | 2.4 N: 500,000 cycles min. |
| | | 5.0 N: 200,000 cycles min. | 3.5 N: 200,000 cycles min. |
| | | | |
| Operating Temperature | | -40 °C to +85 °C | |
| Storage Temperature | | -40 °C to +85 °C (Bulk) -20 °C to +60 °C (Taping) | |
| Minimum Quantity/Packing Unit | | 2,500 pcs. Embossed Taping (Reel Pack) | |
| Quantity/Carton | | 12,500 pcs. | |

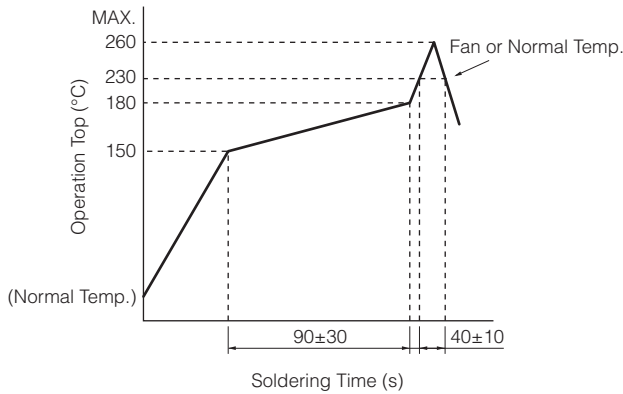
Design and specifications are each subject to change without notice. Ask factory for the current technical specifications before purchase and/or use. Should a safety concern arise regarding this product, please be sure to contact us immediately.

■ Dimensions in mm (not to scale)

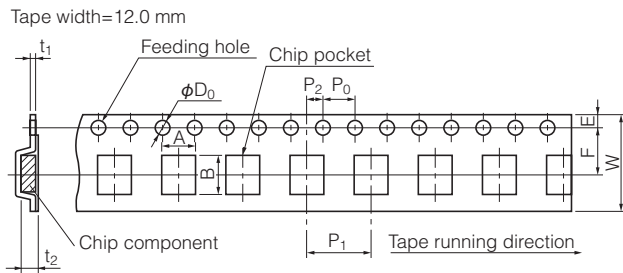
| | | | | |
|---|--|---------------|-------------------------|-------------------------|
| <p>No. 1</p> <p>EVQP4</p> <p>Middle travel</p>  | <p>General dimension tolerance : ± 0.2 () dimensions are reference dimensions.</p>  <p>Circuit diagram</p>  <p>* Height from surface of PCB : 1.35 mm</p> | | | |
| <p>Part Numbers</p> | <p>Operating Force</p> | <p>Height</p> | <p>Push Plate Color</p> | <p>Operating Life</p> |
| <p>EVQP4HB3B</p> | <p>2.5 N</p> | <p>3.5 mm</p> | <p>Blue</p> | <p>1,000,000 cycles</p> |
| <p>EVQP4KB3Q</p> | <p>3.5 N</p> | <p>3.5 mm</p> | <p>Gray</p> | <p>500,000 cycles</p> |
| <p>EVQP4MB3K</p> | <p>5.0 N</p> | <p>3.5 mm</p> | <p>Black</p> | <p>200,000 cycles</p> |
| <p>No. 2</p> <p>EVQP4</p> <p>Short travel</p>  | <p>General dimension tolerance : ± 0.2 () dimensions are reference dimensions.</p>  <p>Circuit diagram</p>  <p>* Height from surface of PCB : 1.35 mm</p> | | | |
| <p>Part Numbers</p> | <p>Operating Force</p> | <p>Height</p> | <p>Push Plate Color</p> | <p>Operating Life</p> |
| <p>EVQP40B3M</p> | <p>1.0 N</p> | <p>3.5 mm</p> | <p>Natural</p> | <p>1,000,000 cycles</p> |
| <p>EVQP42B3M</p> | <p>1.6 N</p> | <p>3.5 mm</p> | <p>Natural</p> | <p>1,000,000 cycles</p> |
| <p>EVQP44B3M</p> | <p>2.4 N</p> | <p>3.5 mm</p> | <p>Natural</p> | <p>500,000 cycles</p> |
| <p>EVQP46B3M</p> | <p>3.5 N</p> | <p>3.5 mm</p> | <p>Natural</p> | <p>200,000 cycles</p> |

Design and specifications are each subject to change without notice. Ask factory for the current technical specifications before purchase and/or use.
Should a safety concern arise regarding this product, please be sure to contact us immediately.

■ Recommended Reflow Soldering Conditions



● Embossed Carrier Taping



Taping condition : Lack of products in the middle of taping should be one MAX, but total quantity specified in the specifications should be secured.

Peeling off strength of top tape : It should be within 0.2N to 1.0N at 165 degree in peeling off angle.

Joint of carrier tape : One joint per one reel may exist.

Unit: mm

| Part No. | Height | A | B | W | F | E | P_1 | P_2 | P_0 | D_0 Dia. | t_1 | t_2 |
|----------|--------|---------------|---------------|----------------|---------------|-----------------|---------------|---------------|---------------|-------------------|---------------|-----------------|
| EVQP4 | 3.5 | 6.5 ± 0.2 | 3.9 ± 0.2 | 12.0 ± 0.3 | 5.5 ± 0.1 | 1.75 ± 0.10 | 8.0 ± 0.1 | 2.0 ± 0.1 | 4.0 ± 0.1 | $1.5_{-0}^{+0.1}$ | 0.4 ± 0.1 | 3.75 ± 0.20 |

单击下面可查看定价，库存，交付和生命周期等信息

[>>Panasonic\(松下\)](#)