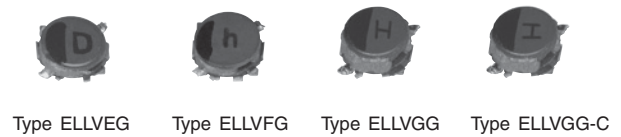


Power Inductors / Wire Wound type

Series : **G**
 Type : **ELLVEG**
ELLVFG-C
ELLVGG
ELLVGG-C



Features

- Magnetic shielded structure
- Low DC resistance and large current capability
- Shock resistant
- RoHS compliant

Recommended Applications

- DSC, Tablet terminal, Portable game device, DC/DC converter circuit for cellular phone

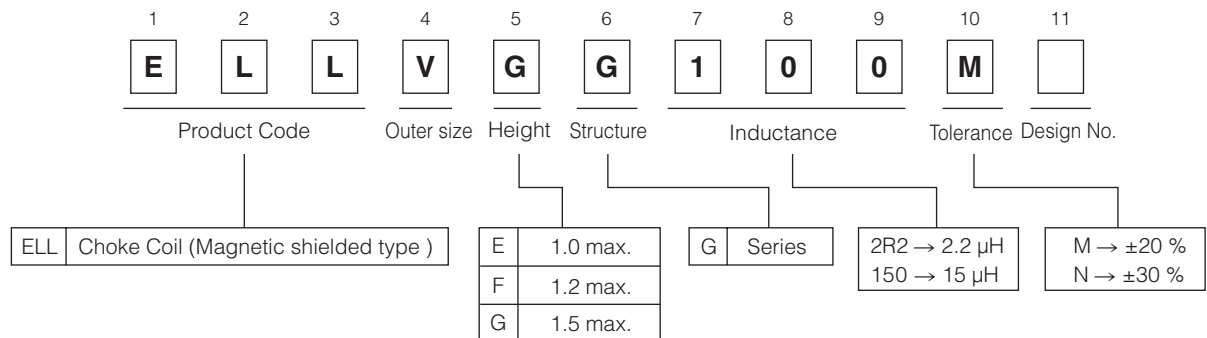
Standard Packing Quantity

- 2,000 pcs./reel

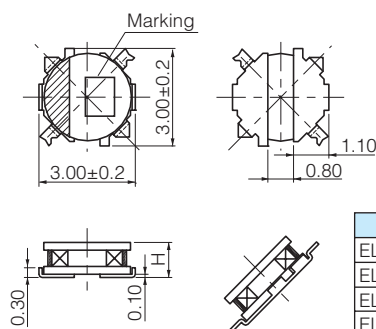
As for Soldering Conditions and Safety Precautions,

Please see Data Files

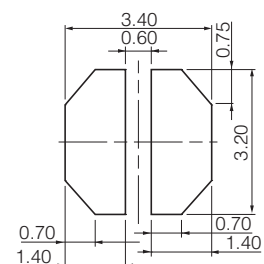
Explanation of Part Numbers



Dimensions in mm (not to scale)



Recommended land patterns in mm (not to scale)



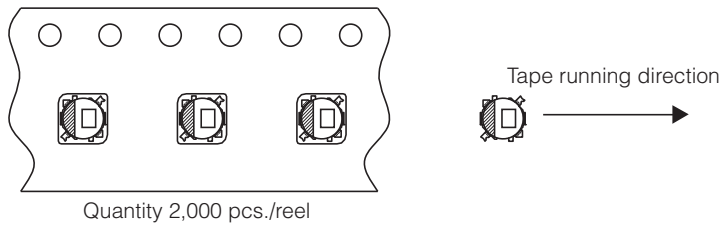
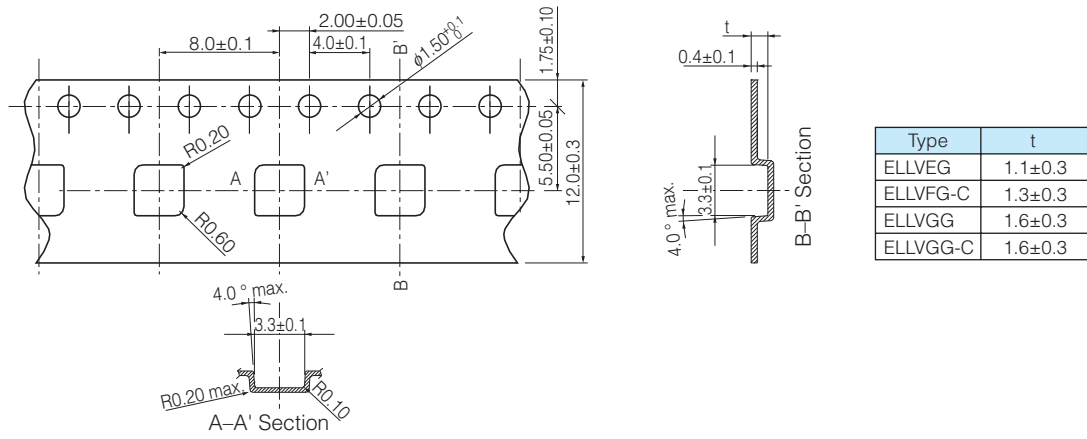
Standard Parts

| Series | Part No. | Inductance (100 kHz) | | R _{DC} (at 20 °C) | | Saturation Rated Current*1 (mA max.) | Temperature Rise Current*2 (mA max.) | Marking |
|-----------------|-------------|-------------------------|-------|-------------------------------|-------|--|--|---------|
| | | (μH) | Tol. | (mΩ) | Tol. | | | |
| Series VEG | ELLVEGR68N | 0.68 | ±30 % | 50 | ±20 % | 1950 | 1800 | 7 |
| | ELLVEG1R0N | 1.0 | | 61 | | 1900 | 1600 | A |
| | ELLVEG1R5N | 1.5 | | 74 | | 1200 | 1400 | C |
| | ELLVEG2R2N | 2.2 | | 110 | | 1100 | 1250 | D |
| | ELLVEG3R3N | 3.3 | | 210 | | 1000 | 820 | E |
| | ELLVEG4R7N | 4.7 | | 240 | | 750 | 770 | H |
| | ELLVEG6R8N | 6.8 | 350 | 580 | | 650 | K | |
| | ELLVEG100M | 10.0 | 480 | 520 | | 600 | M | |
| | ELLVEG150M | 15.0 | 710 | 430 | | 490 | O | |
| ELLVEG220M | 22.0 | 1200 | 330 | 400 | R | | | |
| Series VFG-C | ELLVFG1R0NC | 1.0 | ±30 % | 50 | ±20 % | 1500 | 1700 | a |
| | ELLVFG1R5NC | 1.5 | | 61 | | 1300 | 1550 | c |
| | ELLVFG2R2NC | 2.2 | | 87 | | 1100 | 1400 | d |
| | ELLVFG3R3NC | 3.3 | | 110 | | 980 | 1250 | e |
| | ELLVFG4R7NC | 4.7 | | 150 | | 740 | 1050 | h |
| | ELLVFG6R8NC | 6.8 | | 230 | | 600 | 840 | k |
| | ELLVFG100MC | 10.0 | 380 | 550 | | 640 | m | |
| | ELLVFG150MC | 15.0 | 540 | 500 | | 480 | o | |
| | ELLVFG220MC | 22.0 | 710 | 350 | | 430 | r | |
| ELLVFG330MC | 33.0 | 1160 | 280 | 330 | t | | | |
| Series VGG | ELLVGG1R0N | 1.0 | ±30 % | 52 | ±20 % | 2200 | 1800 | A |
| | ELLVGG1R2N | 1.2 | | 61 | | 2000 | 1600 | B |
| | ELLVGG1R6N | 1.6 | | 73 | | 1800 | 1550 | C |
| | ELLVGG2R2N | 2.2 | | 92 | | 1600 | 1400 | D |
| | ELLVGG3R3N | 3.3 | | 130 | | 1350 | 1100 | E |
| | ELLVGG3R9N | 3.9 | | 150 | | 1300 | 1000 | F |
| | ELLVGG4R7N | 4.7 | 170 | 1200 | | 980 | H | |
| | ELLVGG6R8N | 6.8 | 230 | 1000 | | 800 | K | |
| | ELLVGG100M | 10.0 | 280 | 800 | | 730 | M | |
| | ELLVGG120M | 12.0 | 480 | 690 | | 580 | N | |
| | ELLVGG150M | 15.0 | 640 | 600 | | 490 | O | |
| | ELLVGG220M | 22.0 | 800 | 500 | | 460 | R | |
| ELLVGG330M | 33.0 | 1330 | 450 | 340 | T | | | |
| ELLVGG470M | 47.0 | 2100 | 350 | 270 | V | | | |
| Series VGG-C | ELLVGG1R0NC | 1.0 | ±30 % | 47 | ±20 % | 1400 | 2000 | ◁ |
| | ELLVGG2R2NC | 2.2 | | 79 | | 1050 | 1500 | ▷ |
| | ELLVGG3R3NC | 3.3 | | 110 | | 1000 | 1300 | ≡ |
| | ELLVGG4R7NC | 4.7 | | 130 | | 900 | 1200 | ≡ |
| | ELLVGG6R8NC | 6.8 | | 180 | | 700 | 1000 | ≡ |
| | ELLVGG100MC | 10.0 | | 260 | | 600 | 860 | ≡ |
| | ELLVGG120MC | 12.0 | 280 | 550 | | 730 | Z | |
| | ELLVGG150MC | 15.0 | 420 | 450 | | 670 | O | |
| | ELLVGG220MC | 22.0 | 530 | 410 | | 600 | R | |
| | ELLVGG330MC | 33.0 | 790 | 350 | | 450 | F | |
| | ELLVGG470MC | 47.0 | 1200 | 260 | | 360 | > | |
| | ELLVGG101MC | 100 | 2950 | 180 | | 250 | N | |

*1 Saturation Rated Current : This DC current which causes a 30 % inductance reduction from its nominal value.

*2 Temperature Rise Current : This indicates the value of current when temperature rise dt/t= 40 °C (at 20 °C).

Embossed Carrier Tape Dimensions in mm (not to scale)



单击下面可查看定价，库存，交付和生命周期等信息

[>>Panasonic\(松下\)](#)