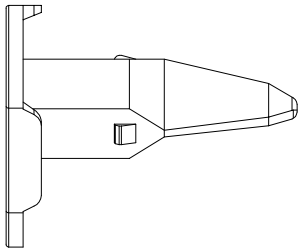
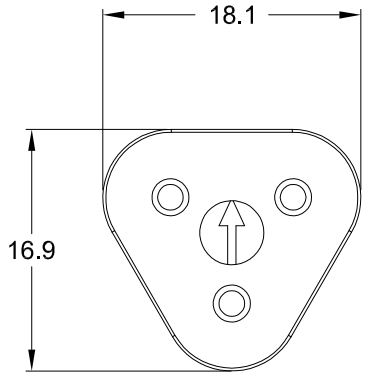
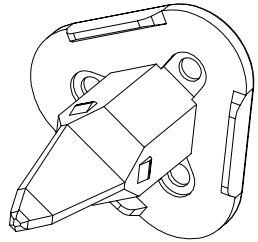
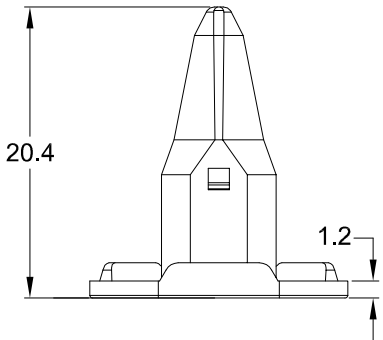


REVISIONS					
REV	ECO	DESCRIPTION	DATE	BY	APPR
A3		RELEASE NEW DWG FORMAT	09/18/13	DRP	
A4	C0734S	REVISED DIMENSIONS	SEP-20-17	ROOKIE	TOMMY



NOTES: UNLESS OTHERWISE SPECIFIED

- 1. MATERIAL: THERMOPLASTIC; COLOR: GREEN
- 2. RoHS COMPLIANT
- 3. CAVITIES: 3
- 4. KEYED: N/A
- 5. USE WITH CONNECTORS AT06-3S*
(* = MODIFICATIONS AND/OR COLORS)
- 6. ALL DIMENSIONS ARE FOR REFERENCE USE ONLY.

QUANTITY	PART NUMBER	DESCRIPTION	ITEM
MATERIALS LIST			
<small>UNLESS OTHERWISE SPECIFIED</small> 1) All dimensions are in metric (mm). 2) Tolerances are as follows: 1 PL DEC ±0.30 Fractions ±1/64 2 PL DEC ±0.15 Angles ±1° 3 PL DEC ±0.08 3) Note reference =		<small>SIGNATURES</small> DRAWN: ROOKIE CHECKED: ENGINEER: APPROVAL:	<small>DATE</small> 20/SEP/17
<small>MATERIAL SPECIFICATIONS:</small>		<p>Sine Systems - www.amphenol-sine.com 44724 Morley Drive Clinton Township, MI 48036</p>	
<small>PROCESS SPECIFICATIONS:</small>		S-WEDGELOCK, 3 POSITION, AT SERIES	
<small>NEXT ASSY:</small>		<small>THIS DRAWING IS SUPPLIED FOR INFORMATION ONLY. DESIGN FEATURES, SPECIFICATIONS AND PERFORMANCE DATA SHOWN HEREON ARE THE PROPERTY OF THE AMPHENOL CORPORATION. NO RIGHTS OF REPRODUCTION ARE IMPLIED. ALL DIMENSIONS ARE SUBJECT TO NORMAL MANUFACTURING VARIATIONS.</small>	<small>REVISION</small> A4
		<small>SIZE</small> A C-	<small>DWG NO:</small> AW3S
		<small>SCALE:</small> NONE	<small>SHEET 1 OF 1</small>

单击下面可查看定价，库存，交付和生命周期等信息

[>>Amphenol\(安费诺\)](#)