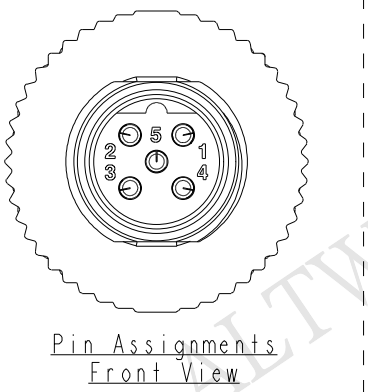
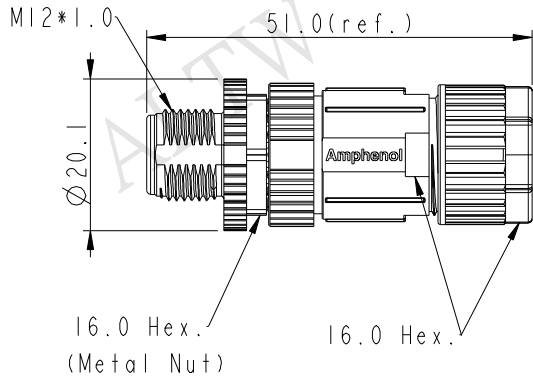
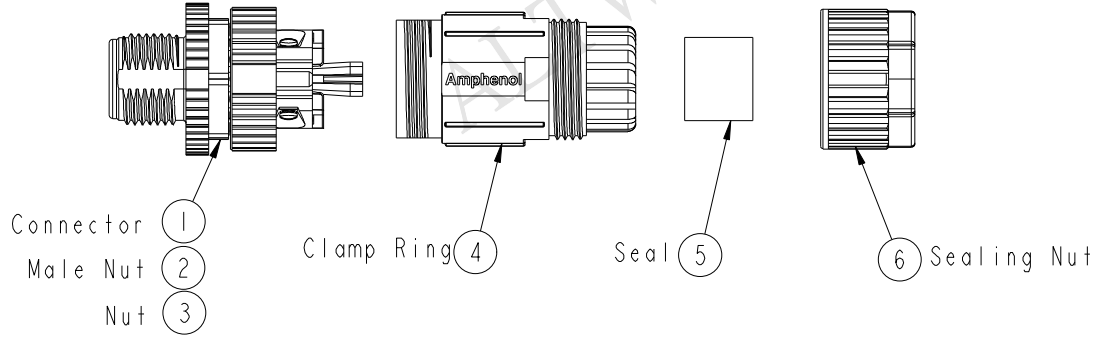


REV.	ECN NO.	DATE	SIGN	DESCRIPTION
A	Initial Release	2015/10/09	Mila	Change Rev. I To Rev.A

ALTW
CONFIDENTIAL
2015-10-09
R&D DEPT.

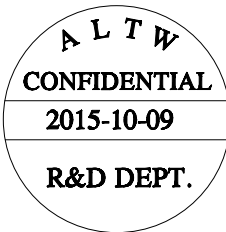
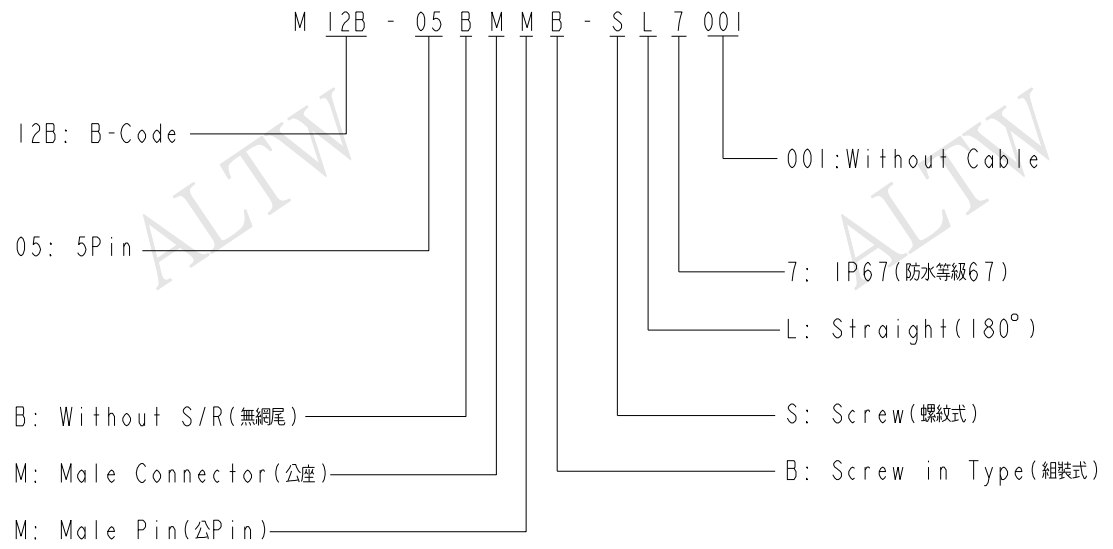
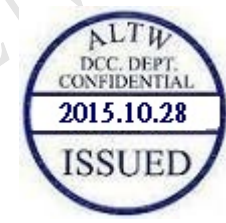
ALTW
DCC. DEPT.
CONFIDENTIAL
2015.10.28
ISSUED



UNIT:mm TOLERANCE ±0.5mm	TITLE M12 B-Code Unshielded Assy 5PIN M Conn M Pin			Amphenol LTW 安費諾亮泰企業股份有限公司	ITEM NO M12B-05BMMB-SL7001	DRAWN BY Mila	DATE 2015-10-09
	SCALE 1:1	SIZE A4	SHEET 1 OF 2		DWG NO M12B-05BMMB-SL7001	CHECKED BY Cary	DATE 2015-10-09
	REV. A	WC-REV. A.2	QC: Inspection item		CUSTOMER ALTW	APPROVED BY Jerry	DATE 2015-10-09

THIS DOCUMENT IS SUBJECT TO CHANGE WITHOUT NOTICE. IT IS CONFIDENTIAL AND A PROPERTY OF AMPHENOL LTW. DISCLOSURE TO THIRD PARTY HAS TO BE AUTHORIZED BY AMPHENOL LTW.

THIS DOCUMENT IS SUBJECT TO CHANGE WITHOUT NOTICE. IT IS CONFIDENTIAL AND A PROPERTY OF AMPHENOL LTW. DISCLOSURE TO THIRD PARTY HAS TO BE AUTHORIZED BY AMPHENOL LTW.



- Note:
- * \varnothing Important Dimension To Check.
 - * Waterproof Rate: IP67
 - * Housing: Nylon, Black
 - * Male Pin: Copper Alloy, Gold Plated
 - * Male Nut: Zinc Alloy, Nickel Plated
 - * Nut: PBT+PC, Black
 - * O-Ring: Silicon, Grey
 - * Clamp Ring: Nylon, Black
 - * Sealing Nut: PBT+PC, Black
 - * Seal: Silicon, Grey
 - * Seal For Cable OD: $\varnothing 4.0\text{mm} \sim \varnothing 8.0\text{mm}$
 - * Screws for Wire connection recommended tightening torque: 0.61~0.84 kgf.cm / 0.059~0.082 N.m
 - * Applicable Wire gauge (Stranded wire cross section) 0.14mm² (26AWG) ~ 0.82mm² (18AWG)
 - * Mating Recommended tightening torque: 3~4 kgf.cm / 0.29~0.39 N.m
 - * Sealing-Nut Recommended tightening torque: 4~6 kgf.cm / 0.39~0.59 N.m
 - * Detailed applicable wire specifications may vary depending on the actual wire construction.

UNIT: mm		TITLE		ITEM NO		DRAWN BY		DATE					
		M12 B-Code Unshielded Assy 5PIN M Conn M Pin		M12B-05BMMB-SL7001		Mila		2015-10-09					
		SCALE 1:1		SIZE A4		SHEET 2 OF 2		CHECKED BY Cary		DATE 2015-10-09			
TOLERANCE $\pm 0.5\text{mm}$		REV. A		WC-REV. A.2		\varnothing : Inspection item		CUSTOMER ALTW		APPROVED BY Jerry		DATE 2015-10-09	

Amphenol LTW
安費諾亮泰企業股份有限公司

单击下面可查看定价，库存，交付和生命周期等信息

[>>Amphenol\(安费诺\)](#)