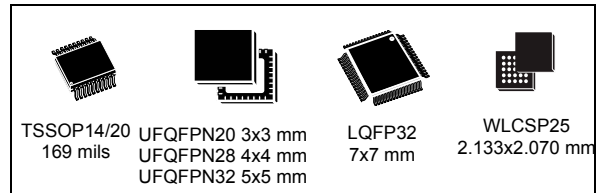


Access line ultra-low-power 32-bit MCU Arm<sup>®</sup>-based Cortex<sup>®</sup>-M0+, up to 16KB Flash, 2KB SRAM, 512B EEPROM, ADC

Datasheet - production data

## Features

- Ultra-low-power platform
  - 1.65 V to 3.6 V power supply
  - -40 to 125 °C temperature range
  - 0.23 µA Standby mode (2 wakeup pins)
  - 0.29 µA Stop mode (16 wakeup lines)
  - 0.54 µA Stop mode + RTC + 2 KB RAM retention
  - Down to 76 µA/MHz in Run mode
  - 5 µs wakeup time (from Flash memory)
  - 41 µA 12-bit ADC conversion at 10 ksp/s
- Core: Arm<sup>®</sup> 32-bit Cortex<sup>®</sup>-M0+
  - From 32 kHz to 32 MHz max.
  - 0.95 DMIPS/MHz
- Reset and supply management
  - Ultra-safe, low-power BOR (brownout reset) with 5 selectable thresholds
  - Ultralow power POR/PDR
  - Programmable voltage detector (PVD)
- Clock sources
  - 0 to 32 MHz external clock
  - 32 kHz oscillator for RTC with calibration
  - High speed internal 16 MHz factory-trimmed RC (+/- 1%)
  - Internal low-power 37 kHz RC
  - Internal multispeed low-power 65 kHz to 4.2 MHz RC
  - PLL for CPU clock
- Pre-programmed bootloader
  - USART, SPI supported
- Development support
  - Serial wire debug supported
- Up to 28 fast I/Os (23 I/Os 5V tolerant)
- Memories
  - Up to 16 KB Flash memory with ECC
  - 2 KB RAM
  - 512 B of data EEPROM with ECC
  - 20-byte backup register
  - Sector protection against R/W operation



- Rich Analog peripherals
  - 12-bit ADC 1.14 Msps up to 10 channels (down to 1.65 V)
  - 2x ultra-low-power comparators (window mode and wake up capability, down to 1.65 V)
- 5-channel DMA controller, supporting ADC, SPI, I2C, USART, Timers
- 4x peripherals communication interface
- 1x USART (ISO 7816, IrDA), 1x UART (low power)
- 1x SPI 16 Mbits/s
- 1x I2C (SMBus/PMBus)
- 7x timers: 1x 16-bit with up to 4 channels, 1x 16-bit with up to 2 channels, 1x 16-bit ultra-low-power timer, 1x SysTick, 1x RTC and 2x watchdogs (independent/window)
- CRC calculation unit, 96-bit unique ID
- All packages are ECOPACK<sup>®</sup>2

Table 1. Device summary

| Reference   | Part number   |
|-------------|---|
| STM32L011x3 | STM32L011G3, STM32L011K3, STM32L011E3, STM32L011F3, STM32L011D3 |
| STM32L011x4 | STM32L011G4, STM32L011K4, STM32L011E4, STM32L011F4, STM32L011D4 |

# Contents

- 1 Introduction ..... 9**
- 2 Description ..... 10**
  - 2.1 Device overview ..... 11
  - 2.2 Ultra-low-power device continuum ..... 13
- 3 Functional overview ..... 14**
  - 3.1 Low-power modes ..... 14
  - 3.2 Interconnect matrix ..... 18
  - 3.3 Arm® Cortex®-M0+ core ..... 19
  - 3.4 Reset and supply management ..... 20
    - 3.4.1 Power supply schemes ..... 20
    - 3.4.2 Power supply supervisor ..... 20
    - 3.4.3 Voltage regulator ..... 21
    - 3.4.4 Boot modes ..... 21
  - 3.5 Clock management ..... 22
  - 3.6 Low-power real-time clock and backup registers ..... 24
  - 3.7 General-purpose inputs/outputs (GPIOs) ..... 24
  - 3.8 Memories ..... 25
  - 3.9 Direct memory access (DMA) ..... 25
  - 3.10 Analog-to-digital converter (ADC) ..... 26
  - 3.11 Temperature sensor ..... 26
    - 3.11.1 Internal voltage reference ( $V_{REFINT}$ ) ..... 26
  - 3.12 Ultra-low-power comparators and reference voltage ..... 27
  - 3.13 System configuration controller ..... 27
  - 3.14 Timers and watchdogs ..... 27
    - 3.14.1 General-purpose timers (TIM2, TIM21) ..... 28
    - 3.14.2 Low-power Timer (LPTIM) ..... 28
    - 3.14.3 SysTick timer ..... 28
    - 3.14.4 Independent watchdog (IWDG) ..... 29
    - 3.14.5 Window watchdog (WWDG) ..... 29
  - 3.15 Communication interfaces ..... 29



- 3.15.1 I2C bus ..... 29
- 3.15.2 Universal synchronous/asynchronous receiver transmitter (USART) .. 30
- 3.15.3 Low-power universal asynchronous receiver transmitter (LPUART) ... 31
- 3.15.4 Serial peripheral interface (SPI) ..... 31
- 3.16 Cyclic redundancy check (CRC) calculation unit ..... 31
- 3.17 Serial wire debug port (SW-DP) ..... 32
  
- 4 Pin descriptions ..... 33**
  
- 5 Memory mapping ..... 43**
  
- 6 Electrical characteristics ..... 44**
- 6.1 Parameter conditions ..... 44
  - 6.1.1 Minimum and maximum values ..... 44
  - 6.1.2 Typical values ..... 44
  - 6.1.3 Typical curves ..... 44
  - 6.1.4 Loading capacitor ..... 44
  - 6.1.5 Pin input voltage ..... 44
  - 6.1.6 Power supply scheme ..... 45
  - 6.1.7 Current consumption measurement ..... 45
- 6.2 Absolute maximum ratings ..... 46
- 6.3 Operating conditions ..... 48
  - 6.3.1 General operating conditions ..... 48
  - 6.3.2 Embedded reset and power control block characteristics ..... 49
  - 6.3.3 Embedded internal reference voltage ..... 51
  - 6.3.4 Supply current characteristics ..... 52
  - 6.3.5 Wakeup time from low-power mode ..... 62
  - 6.3.6 External clock source characteristics ..... 64
  - 6.3.7 Internal clock source characteristics ..... 67
  - 6.3.8 PLL characteristics ..... 69
  - 6.3.9 Memory characteristics ..... 70
  - 6.3.10 EMC characteristics ..... 72
  - 6.3.11 Electrical sensitivity characteristics ..... 73
  - 6.3.12 I/O current injection characteristics ..... 74
  - 6.3.13 I/O port characteristics ..... 75
  - 6.3.14 NRST pin characteristics ..... 79
  - 6.3.15 12-bit ADC characteristics ..... 80



---

|          |                                       |            |
|----------|---------------------------------------|------------|
| 6.3.16   | Temperature sensor characteristics    | 84         |
| 6.3.17   | Comparators                           | 85         |
| 6.3.18   | Timer characteristics                 | 86         |
| 6.3.19   | Communications interfaces             | 87         |
| <b>7</b> | <b>Package information</b>            | <b>94</b>  |
| 7.1      | LQFP32 package information            | 94         |
| 7.2      | UFQFPN32 package information          | 97         |
| 7.3      | WLCSP25 package information           | 100        |
| 7.4      | UFQFPN28 4 x 4 mm package information | 103        |
| 7.5      | UFQFPN20 package information          | 106        |
| 7.6      | TSSOP20 package information           | 109        |
| 7.7      | TSSOP14 package information           | 112        |
| 7.8      | Thermal characteristics               | 113        |
| 7.8.1    | Reference document                    | 114        |
| <b>8</b> | <b>Ordering information</b>           | <b>115</b> |
| <b>9</b> | <b>Revision history</b>               | <b>116</b> |

# List of tables

|           |   |    |
|-----------|---|----|
| Table 1.  | Device summary . . . . .  | 1  |
| Table 2.  | Ultra-low-power STM32L011x3/x4 device features and peripheral counts. . . . .                           | 11 |
| Table 3.  | Functionalities depending on the operating power supply range . . . . .                                 | 16 |
| Table 4.  | CPU frequency range depending on dynamic voltage scaling . . . . .                                      | 16 |
| Table 5.  | Functionalities depending on the working mode<br>(from Run/active down to standby) . . . . .            | 17 |
| Table 6.  | STM32L011x3/4 peripherals interconnect matrix . . . . .   | 19 |
| Table 7.  | Timer feature comparison . . . . .  | 27 |
| Table 8.  | Comparison of I2C analog and digital filters . . . . .  | 29 |
| Table 9.  | STM32L011x3/4 I <sup>2</sup> C implementation . . . . .   | 30 |
| Table 10. | USART implementation . . . . .  | 30 |
| Table 11. | SPI implementation . . . . .  | 31 |
| Table 12. | Legend/abbreviations used in the pinout table . . . . .   | 36 |
| Table 13. | Pin definitions . . . . .   | 37 |
| Table 14. | Alternate functions . . . . .   | 41 |
| Table 15. | Voltage characteristics . . . . .   | 46 |
| Table 16. | Current characteristics . . . . .   | 47 |
| Table 17. | Thermal characteristics . . . . .   | 47 |
| Table 18. | General operating conditions . . . . .  | 48 |
| Table 19. | Embedded reset and power control block characteristics . . . . .  | 49 |
| Table 20. | Embedded internal reference voltage calibration values . . . . .  | 51 |
| Table 21. | Embedded internal reference voltage . . . . .   | 51 |
| Table 22. | Current consumption in Run mode, code with data processing running from Flash. . . . .                  | 53 |
| Table 23. | Current consumption in Run mode vs code type,<br>code with data processing running from Flash . . . . . | 53 |
| Table 24. | Current consumption in Run mode, code with data processing running from RAM . . . . .                   | 55 |
| Table 25. | Current consumption in Run mode vs code type,<br>code with data processing running from RAM . . . . .   | 55 |
| Table 26. | Current consumption in Sleep mode . . . . .   | 56 |
| Table 27. | Current consumption in Low-power Run mode . . . . .   | 57 |
| Table 28. | Current consumption in Low-power Sleep mode . . . . .   | 58 |
| Table 29. | Typical and maximum current consumptions in Stop mode . . . . .   | 59 |
| Table 30. | Typical and maximum current consumptions in Standby mode . . . . .                                      | 60 |
| Table 31. | Average current consumption during wakeup . . . . .   | 60 |
| Table 32. | Peripheral current consumption in run or Sleep mode . . . . .   | 61 |
| Table 33. | Peripheral current consumption in Stop and Standby mode . . . . .                                       | 62 |
| Table 34. | Low-power mode wakeup timings . . . . .   | 62 |
| Table 35. | High-speed external user clock characteristics . . . . .  | 64 |
| Table 36. | Low-speed external user clock characteristics . . . . .   | 65 |
| Table 37. | LSE oscillator characteristics . . . . .  | 66 |
| Table 38. | 16 MHz HSI16 oscillator characteristics . . . . .   | 67 |
| Table 39. | LSI oscillator characteristics . . . . .  | 68 |
| Table 40. | MSI oscillator characteristics . . . . .  | 68 |
| Table 41. | PLL characteristics . . . . .   | 69 |
| Table 42. | RAM and hardware registers . . . . .  | 70 |
| Table 43. | Flash memory and data EEPROM characteristics . . . . .  | 71 |
| Table 44. | Flash memory and data EEPROM endurance and retention . . . . .  | 71 |
| Table 45. | EMS characteristics . . . . .   | 72 |



|           |   |     |
|-----------|---|-----|
| Table 46. | EMI characteristics   | 73  |
| Table 47. | ESD absolute maximum ratings  | 73  |
| Table 48. | Electrical sensitivities  | 74  |
| Table 49. | I/O current injection susceptibility  | 74  |
| Table 50. | I/O static characteristics  | 75  |
| Table 51. | Output voltage characteristics  | 77  |
| Table 52. | I/O AC characteristics  | 78  |
| Table 53. | NRST pin characteristics  | 79  |
| Table 54. | ADC characteristics   | 80  |
| Table 55. | $R_{AIN}$ max for $f_{ADC} = 16$ MHz  | 82  |
| Table 56. | ADC accuracy  | 82  |
| Table 57. | Temperature sensor calibration values   | 84  |
| Table 58. | Temperature sensor characteristics  | 84  |
| Table 59. | Comparator 1 characteristics  | 85  |
| Table 60. | Comparator 2 characteristics  | 85  |
| Table 61. | TIMx characteristics  | 86  |
| Table 62. | I2C analog filter characteristics   | 87  |
| Table 63. | I2C frequency in all I2C modes  | 88  |
| Table 64. | SPI characteristics in voltage Range 1  | 89  |
| Table 65. | SPI characteristics in voltage Range 2  | 90  |
| Table 66. | SPI characteristics in voltage Range 3  | 91  |
| Table 67. | LQFP32 - 32-pin, 7 x 7 mm, 32-pin low-profile quad flat package mechanical data                   | 95  |
| Table 68. | UFQFPN32 - 32-pin, 5x5 mm, 0.5 mm pitch ultra thin fine pitch quad flat package mechanical data   | 98  |
| Table 69. | WLCSP25 - 25-ball, 2.133 x 2.070 mm, 0.4 mm pitch wafer level chip scale package mechanical data  | 100 |
| Table 70. | WLCSP25 recommended PCB design rules (0.4 mm pitch)   | 101 |
| Table 71. | UFQFPN28 - 28-lead, 4x4 mm, 0.5 mm pitch, ultra thin fine pitch quad flat package mechanical data | 103 |
| Table 72. | UFQFPN20 - 20-lead, 3x3 mm, 0.5 mm pitch, ultra thin fine pitch quad flat package mechanical data | 106 |
| Table 73. | TSSOP20 – 20-lead thin shrink small outline, 6.5 x 4.4 mm, 0.65 mm pitch, package mechanical data | 109 |
| Table 74. | TSSOP14 – 14-lead thin shrink small outline, 5 x 4.4 mm, 0.65 mm pitch, package mechanical data   | 112 |
| Table 75. | Thermal characteristics   | 114 |
| Table 76. | STM32L011x3/4 ordering information scheme   | 115 |
| Table 77. | Document revision history   | 116 |

## List of figures

|            |  |     |
|------------|--|-----|
| Figure 1.  | STM32L011x3/4 block diagram  | 12  |
| Figure 2.  | Clock tree   | 23  |
| Figure 3.  | STM32L011x3/4 LQFP32 pinout  | 33  |
| Figure 4.  | STM32L011x3/4 UFQFPN32 pinout  | 33  |
| Figure 5.  | STM32L011x3/4 WLCSP25 pinout   | 34  |
| Figure 6.  | STM32L011x3/4 UFQFPN28 pinout  | 34  |
| Figure 7.  | STM32L011x3/4 UFQFPN20 pinout  | 35  |
| Figure 8.  | STM32L011x3/4 TSSOP20 pinout   | 35  |
| Figure 9.  | STM32L011x3/4 TSSOP14 pinout   | 36  |
| Figure 10. | Pin loading conditions   | 44  |
| Figure 11. | Pin input voltage  | 44  |
| Figure 12. | Power supply scheme  | 45  |
| Figure 13. | Current consumption measurement scheme   | 45  |
| Figure 14. | IDD vs VDD, at TA= 25 °C, Run mode, code running from Flash memory, Range 2, 16 MHz HSE, 1WS                                   | 54  |
| Figure 15. | IDD vs VDD, at TA= 25 °C, Run mode, code running from Flash memory, Range 2, HSI16, 1WS  | 54  |
| Figure 16. | IDD vs VDD, at TA= -40/25/55/ 85/105/125 °C, Low-power run mode, code running from RAM, Range 3, MSI (Range 0) at 64 KHz, 0 WS | 58  |
| Figure 17. | IDD vs VDD, at TA= -40/25/55/ 85/105/125 °C, Stop mode with RTC enabled and running on LSE Low drive                           | 59  |
| Figure 18. | IDD vs VDD, at TA= -40/25/55/85/105/125 °C, Stop mode with RTC disabled, all clocks OFF  | 59  |
| Figure 19. | High-speed external clock source AC timing diagram   | 64  |
| Figure 20. | Low-speed external clock source AC timing diagram  | 65  |
| Figure 21. | Typical application with a 32.768 kHz crystal  | 66  |
| Figure 22. | HSI16 minimum and maximum value versus temperature   | 67  |
| Figure 23. | VIH/VIL versus VDD (CMOS I/Os)   | 76  |
| Figure 24. | VIH/VIL versus VDD (TTL I/Os)  | 76  |
| Figure 25. | I/O AC characteristics definition  | 79  |
| Figure 26. | Recommended NRST pin protection  | 80  |
| Figure 27. | ADC accuracy characteristics   | 83  |
| Figure 28. | Typical connection diagram using the ADC   | 84  |
| Figure 29. | SPI timing diagram - slave mode and CPHA = 0   | 92  |
| Figure 30. | SPI timing diagram - slave mode and CPHA = 1 <sup>(1)</sup>  | 92  |
| Figure 31. | SPI timing diagram - master mode <sup>(1)</sup>  | 93  |
| Figure 32. | LQFP32 - 32-pin, 7 x 7 mm, 32-pin low-profile quad flat package outline  | 94  |
| Figure 33. | LQFP32 recommended footprint   | 95  |
| Figure 34. | Example of LQFP32 marking (package top view)   | 96  |
| Figure 35. | UFQFPN32 - 32-pin, 5x5 mm, 0.5 mm pitch ultra thin fine pitch quad flat package outline  | 97  |
| Figure 36. | UFQFPN32 recommended footprint   | 98  |
| Figure 37. | Example of UFQFPN32 marking (package top view)   | 99  |
| Figure 38. | WLCSP25 - 25-ball, 2.133 x 2.070 mm, 0.4 mm pitch wafer level chip scale package outline                                       | 100 |
| Figure 39. | WLCSP25 - 25-ball, 2.133 x 2.070 mm, 0.4 mm pitch wafer level chip scale package recommended footprint                         | 101 |
| Figure 40. | Example of WLCSP25 marking (package top view)  | 102 |

|            |   |     |
|------------|---|-----|
| Figure 41. | UFQFPN28 - 28-lead, 4x4 mm, 0.5 mm pitch, ultra thin fine pitch quad flat package outline . . . . .               | 103 |
| Figure 42. | UFQFPN28 recommended footprint . . . . .  | 104 |
| Figure 43. | Example of UFQFPN28 marking (package top view) . . . . .  | 105 |
| Figure 44. | UFQFPN20 - 20-lead, 3x3 mm, 0.5 mm pitch, ultra thin fine pitch quad flat package outline . . . . .               | 106 |
| Figure 45. | UFQFPN20 - 20-lead, 3x3 mm, 0.5 mm pitch, ultra thin fine pitch quad flat package recommended footprint . . . . . | 107 |
| Figure 46. | Example of UFQFPN20 marking (package top view) . . . . .  | 108 |
| Figure 47. | TSSOP20 – 20-lead thin shrink small outline, 6.5 x 4.4 mm, 0.65 mm pitch, package outline . . . . .               | 109 |
| Figure 48. | TSSOP20 – 20-lead thin shrink small outline, 6.5 x 4.4 mm, 0.65 mm pitch, package footprint . . . . .             | 110 |
| Figure 49. | Example of TSSOP20 marking (package top view) . . . . .   | 111 |
| Figure 50. | TSSOP14 – 14-lead thin shrink small outline, 5.0 x 4.4 mm, 0.65 mm pitch, package outline . . . . .               | 112 |
| Figure 51. | Example of TSSOP14 marking (package top view) . . . . .   | 113 |
| Figure 52. | Thermal resistance . . . . .  | 114 |



# 1 Introduction

The ultra-low-power STM32L011x3/4 family includes devices in 7 different package types from 14 to 32 pins. The description below gives an overview of the complete range of peripherals proposed in this family.

These features make the ultra-low-power STM32L011x3/4 microcontrollers suitable for a wide range of applications:

- Gas/water meters and industrial sensors
- Healthcare and fitness equipment
- Remote control and user interface
- PC peripherals, gaming, GPS equipment
- Alarm system, wired and wireless sensors, video intercom

This STM32L011x3/4 datasheet should be read in conjunction with the STM32L0x1 reference manual (RM0377).

For information on the Arm<sup>®</sup> Cortex<sup>®</sup>-M0+ core please refer to the Cortex<sup>®</sup>-M0+ Technical Reference Manual, available from the [www.arm.com](http://www.arm.com) website.

*Figure 1* shows the general block diagram of the device family.

## 2 Description

The access line ultra-low-power STM32L011x3/4 family incorporates the high-performance Arm® Cortex®-M0+ 32-bit RISC core operating at a 32 MHz frequency, high-speed embedded memories (up to 16 Kbytes of Flash program memory, 512 bytes of data EEPROM and 2 Kbytes of RAM) plus an extensive range of enhanced I/Os and peripherals.

The STM32L011x3/4 devices provide high power efficiency for a wide range of performance. It is achieved with a large choice of internal and external clock sources, an internal voltage adaptation and several low-power modes.

The STM32L011x3/4 devices offer several analog features, one 12-bit ADC with hardware oversampling, two ultra-low-power comparators, several timers, one low-power timer (LPTIM), three general-purpose 16-bit timers, one RTC and one SysTick which can be used as timebases. They also feature two watchdogs, one watchdog with independent clock and window capability and one window watchdog based on bus clock.

Moreover, the STM32L011x3/4 devices embed standard and advanced communication interfaces: one I2C, one SPI, one USART, and a low-power UART (LPUART).

The STM32L011x3/4 also include a real-time clock and a set of backup registers that remain powered in Standby mode.

The ultra-low-power STM32L011x3/4 devices operate from a 1.8 to 3.6 V power supply (down to 1.65 V at power-down) with BOR and from a 1.65 to 3.6 V power supply without BOR option. They are available in the -40 to +125 °C temperature range. A comprehensive set of power-saving modes allows the design of low-power applications.



## 2.1 Device overview

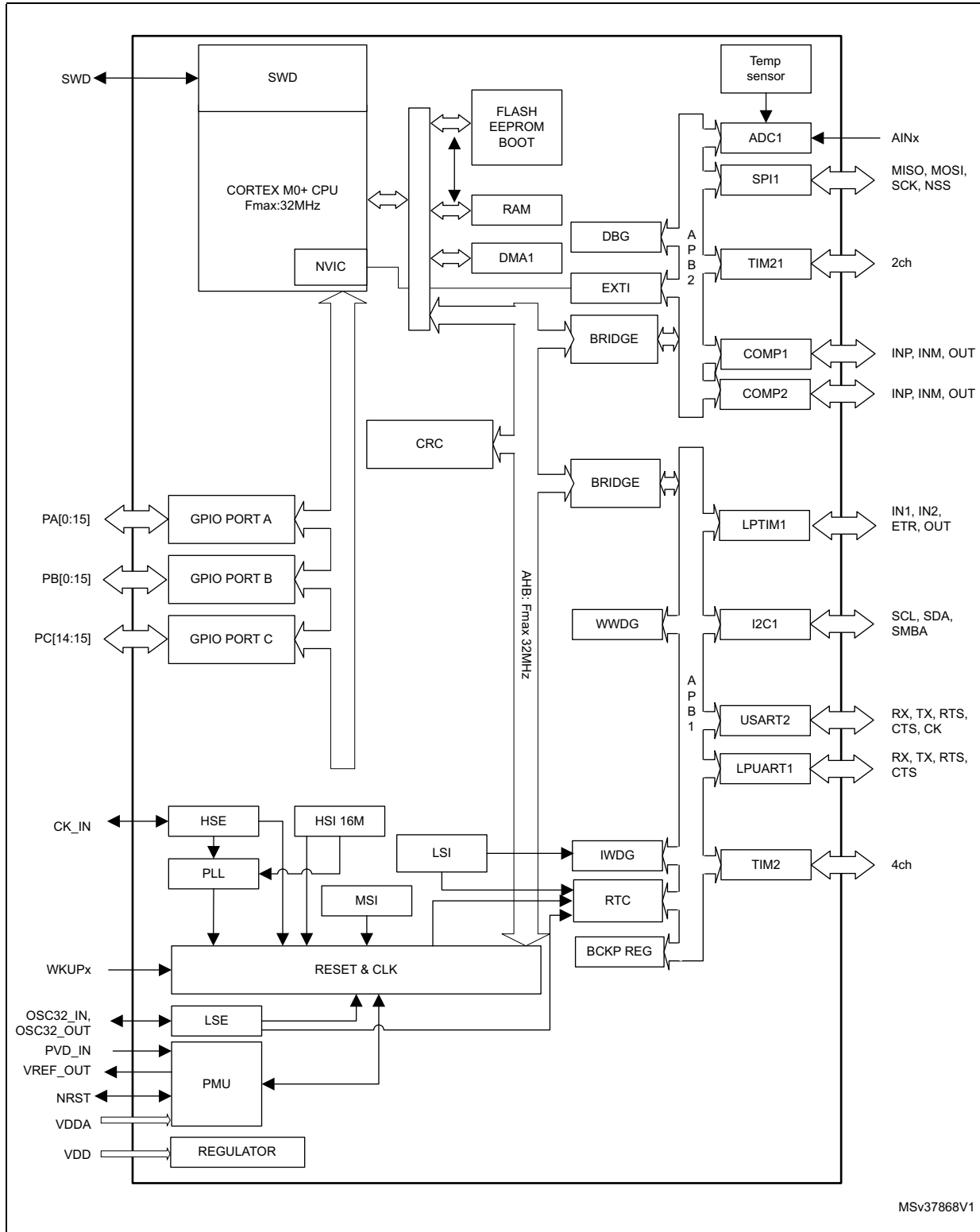
Table 2. Ultra-low-power STM32L011x3/x4 device features and peripheral counts

| Peripheral                                  | STM32 L011D3  | STM32 L011F3            | STM32 L011E3 | STM32 L011G3 | STM32 L011K3          | STM32 L011D4 | STM32 L011F4            | STM32 L011E4 | STM32 L011G4 | STM32 L011K4          |
|---|---|-------------------------|--------------|--------------|-----------------------|--------------|-------------------------|--------------|--------------|-----------------------|
| Flash (Kbytes)                              | 8   |                         |              |              |                       | 16           |                         |              |              |                       |
| Data EEPROM (bytes)                         | 512   |                         |              |              |                       |              |                         |              |              |                       |
| RAM (Kbytes)                                | 2   |                         |              |              |                       |              |                         |              |              |                       |
| Timers                                      | General-purpose   | 2                       |              |              |                       |              |                         |              |              |                       |
|   | LPTIM   | 1                       |              |              |                       |              |                         |              |              |                       |
| RTC/SYSTICK/IWDG/WWDG                       | 1/1/1/1   |                         |              |              |                       |              |                         |              |              |                       |
| Communication interfaces                    | SPI   | 1                       |              |              |                       |              |                         |              |              |                       |
|   | I <sup>2</sup> C  | 1                       |              |              |                       |              |                         |              |              |                       |
|   | USART   | 1                       |              |              |                       |              |                         |              |              |                       |
|   | LPUART  | 1                       |              |              |                       |              |                         |              |              |                       |
| GPIOs                                       | 11  | 16                      | 21           | 24           | 26/28 <sup>(1)</sup>  | 11           | 16                      | 21           | 24           | 26/28 <sup>(1)</sup>  |
| Clocks: HSE <sup>(2)</sup> /LSE/HSI/MSI/LSI | 1/1/1/1/1   |                         |              |              |                       |              |                         |              |              |                       |
| 12b synchronized ADC<br>Number of channels  | 1<br>4  | 1<br>7/9 <sup>(3)</sup> | 1<br>10      |              |                       | 1<br>4       | 1<br>7/9 <sup>(3)</sup> | 1<br>10      |              |                       |
| Comparators                                 | 2   |                         |              |              |                       |              |                         |              |              |                       |
| Max. CPU frequency                          | 32 MHz  |                         |              |              |                       |              |                         |              |              |                       |
| Operating voltage                           | 1.8 V to 3.6 V (down to 1.65 V at power-down) with BOR option<br>1.65 V to 3.6 V without BOR option |                         |              |              |                       |              |                         |              |              |                       |
| Operating temperatures                      | Ambient temperature: -40 to +125 °C<br>Junction temperature: -40 to +130 °C                         |                         |              |              |                       |              |                         |              |              |                       |
| Packages                                    | TSSOP<br>14   | TSSOP/<br>UFQFPN<br>20  | WLCSP<br>25  | UFQFPN<br>28 | LQFP/<br>UFQFPN<br>32 | TSSOP<br>14  | TSSOP/<br>UFQFPN<br>20  | WLCSP<br>25  | UFQFPN<br>28 | LQFP/<br>UFQFPN<br>32 |

1. The devices feature 26 and 28 GPIOs on LQFP32 and UFQFPN32, respectively.
2. HSE available only as external clock input (HSE bypass).
3. The devices feature 7 and 9 ADC channels on UFQFPN20 and TSSOP20, respectively.



Figure 1. STM32L011x3/4 block diagram



MSv37868V1



## 2.2 Ultra-low-power device continuum

The ultra-low-power family offers a large choice of core and features, from 8-bit proprietary core up to Arm® Cortex®-M4, including Arm® Cortex®-M3 and Arm® Cortex®-M0+. The STM32Lx series are the best choice to answer your needs in terms of ultra-low-power features. The STM32 Ultra-low-power series are the best solution for applications such as gas/water meter, keyboard/mouse or fitness and healthcare application. Several built-in features like LCD drivers, dual-bank memory, low-power Run mode, operational amplifiers, 128-bit AES, DAC, crystal-less USB and many other definitely help you building a highly cost optimized application by reducing BOM cost. STMicroelectronics, as a reliable and long-term manufacturer, ensures as much as possible pin-to-pin compatibility between all STM8Lx and STM32Lx on one hand, and between all STM32Lx and STM32Fx on the other hand. Thanks to this unprecedented scalability, your legacy application can be upgraded to respond to the latest market feature and efficiency requirements.

## 3 Functional overview

### 3.1 Low-power modes

The ultra-low-power STM32L011x3/4 supports dynamic voltage scaling to optimize its power consumption in Run mode. The voltage from the internal low-drop regulator that supplies the logic can be adjusted according to the system's maximum operating frequency and the external voltage supply.

There are three power consumption ranges:

- Range 1 ( $V_{DD}$  range limited to 1.71-3.6 V), with the CPU running at up to 32 MHz
- Range 2 (full  $V_{DD}$  range), with a maximum CPU frequency of 16 MHz
- Range 3 (full  $V_{DD}$  range), with a maximum CPU frequency limited to 4.2 MHz

Seven low-power modes are provided to achieve the best compromise between low-power consumption, short startup time and available wakeup sources:

- **Sleep mode**

In Sleep mode, only the CPU is stopped. All peripherals continue to operate and can wake up the CPU when an interrupt/event occurs. Sleep mode power consumption at 16 MHz is about 1 mA with all peripherals off.

- **Low-power run mode**

This mode is achieved with the multispeed internal (MSI) RC oscillator set to the low-speed clock (max 131 kHz), execution from SRAM or Flash memory, and internal regulator in low-power mode to minimize the regulator's operating current. In Low-power run mode, the clock frequency and the number of enabled peripherals are both limited.

- **Low-power sleep mode**

This mode is achieved by entering Sleep mode with the internal voltage regulator in low-power mode to minimize the regulator's operating current. In Low-power sleep mode, both the clock frequency and the number of enabled peripherals are limited; a typical example would be to have a timer running at 32 kHz.

When wakeup is triggered by an event or an interrupt, the system reverts to the Run mode with the regulator on.

- **Stop mode with RTC**

The Stop mode achieves the lowest power consumption while retaining the RAM and register contents and real time clock. All clocks in the  $V_{CORE}$  domain are stopped, the PLL, MSI RC, HSE and HSI RC oscillators are disabled. The LSE or LSI is still running. The voltage regulator is in the low-power mode.

Some peripherals featuring wakeup capability can enable the HSI RC during Stop mode to detect their wakeup condition.

The device can be woken up from Stop mode by any of the EXTI line, in 3.5  $\mu$ s, the processor can serve the interrupt or resume the code. The EXTI line source can be any GPIO. It can be the PVD output, the comparator 1 event or comparator 2 event

(if internal reference voltage is on), it can be the RTC alarm/tamper/timestamp/wakeup events, the USART/I2C/LPUART/LPTIM wakeup events.

- **Stop mode without RTC**

The Stop mode achieves the lowest power consumption while retaining the RAM and register contents. All clocks are stopped, the PLL, MSI RC, HSI and LSI RC, HSE and LSE crystal oscillator are disabled.

Some peripherals featuring wakeup capability can enable the HSI RC during Stop mode to detect their wakeup condition.

The voltage regulator is in the low-power mode. The device can be woken up from Stop mode by any of the EXTI line, in 3.5  $\mu$ s, the processor can serve the interrupt or resume the code. The EXTI line source can be any GPIO. It can be the PVD output, the comparator 1 event or comparator 2 event (if internal reference voltage is on). It can also be wakened by the USART/I2C/LPUART/LPTIM wakeup events.

- **Standby mode with RTC**

The Standby mode is used to achieve the lowest power consumption and real time clock. The internal voltage regulator is switched off so that the entire  $V_{CORE}$  domain is powered off. The PLL, MSI RC, HSE bypass and HSI RC oscillators are also switched off. The LSE or LSI is still running. After entering Standby mode, the RAM and register contents are lost except for registers in the Standby circuitry (wakeup logic, IWDG, RTC, LSI, LSE Crystal 32 KHz oscillator, RCC\_CSR register).

The device exits Standby mode in 60  $\mu$ s when an external reset (NRST pin), an IWDG reset, a rising edge on one of the three WKUP pins, RTC alarm (Alarm A or Alarm B), RTC tamper event, RTC timestamp event or RTC Wakeup event occurs.

- **Standby mode without RTC**

The Standby mode is used to achieve the lowest power consumption. The internal voltage regulator is switched off so that the entire  $V_{CORE}$  domain is powered off. The PLL, MSI RC, HSI and LSI RC, HSE and LSE crystal oscillator are also switched off. After entering Standby mode, the RAM and register contents are lost except for registers in the Standby circuitry (wakeup logic, IWDG, RTC, LSI, LSE Crystal 32 KHz oscillator, RCC\_CSR register).

The device exits Standby mode in 60  $\mu$ s when an external reset (NRST pin) or a rising edge on one of the three WKUP pin occurs.

*Note: The RTC, the IWDG, and the corresponding clock sources are not stopped automatically by entering Stop or Standby mode.*

**Table 3. Functionalities depending on the operating power supply range**

| Operating power supply range              | Functionalities depending on the operating power supply range |                               |
|---|---|-------------------------------|
|   | ADC operation   | Dynamic voltage scaling range |
| $V_{DD} = 1.65$ to $1.71$ V               | ADC only, conversion time up to 570 ksp/s                     | Range 2 or range 3            |
| $V_{DD} = 1.71$ to $1.8$ V <sup>(1)</sup> | ADC only, conversion time up to 1.14 Msps                     | Range 1, range 2 or range 3   |
| $V_{DD} = 1.8$ to $2.0$ V <sup>(1)</sup>  | Conversion time up to 1.14 Msps                               | Range 1, range 2 or range 3   |
| $V_{DD} = 2.0$ to $2.4$ V                 | Conversion time up to 1.14 Msps                               | Range 1, range 2 or range 3   |
| $V_{DD} = 2.4$ to $3.6$ V                 | Conversion time up to 1.14 Msps                               | Range 1, range 2 or range 3   |

1. CPU frequency changes from initial to final must respect the condition:  $f_{CPU\ final} < 4f_{CPU\ initial}$ . It must also respect 5 μs delay between two changes. For example to switch from 4.2 MHz to 32 MHz, you can switch from 4.2 MHz to 16 MHz, wait 5 μs, then switch from 16 MHz to 32 MHz.

**Table 4. CPU frequency range depending on dynamic voltage scaling**

| CPU frequency range                              | Dynamic voltage scaling range |
|--|-------------------------------|
| 16 MHz to 32 MHz (1ws)<br>32 kHz to 16 MHz (0ws) | Range 1                       |
| 8 MHz to 16 MHz (1ws)<br>32 kHz to 8 MHz (0ws)   | Range 2                       |
| 32 kHz to 4.2 MHz (0ws)                          | Range 3                       |



**Table 5. Functionalities depending on the working mode  
(from Run/active down to standby) <sup>(1)(2)</sup>**

| IPs                                 | Run/Active | Sleep | Low-power run | Low-power sleep | Stop              |                   | Standby |   |
|-------------------------------------|------------|-------|---------------|-----------------|-------------------|-------------------|---------|---|
|                                     |            |       |               |                 | Wakeup capability | Wakeup capability |         |   |
| CPU                                 | Y          | -     | Y             | -               | -                 | -                 | -       | - |
| Flash memory                        | O          | O     | O             | O               | -                 | -                 | -       | - |
| RAM                                 | Y          | Y     | Y             | Y               | Y                 | -                 | -       | - |
| Backup registers                    | Y          | Y     | Y             | Y               | Y                 | -                 | Y       | - |
| EEPROM                              | O          | O     | O             | O               | -                 | -                 | -       | - |
| Brown-out reset (BOR)               | O          | O     | O             | O               | O                 | O                 | O       | O |
| DMA                                 | O          | O     | O             | O               | -                 | -                 | -       | - |
| Programmable Voltage Detector (PVD) | O          | O     | O             | O               | O                 | O                 | -       | - |
| Power-on/down reset (POR/PDR)       | Y          | Y     | Y             | Y               | Y                 | Y                 | Y       | Y |
| High Speed Internal (HSI)           | O          | O     | -             | -               | <sup>(3)</sup>    | -                 | -       | - |
| High Speed External (HSE)           | O          | O     | O             | O               | -                 | -                 | -       | - |
| Low Speed Internal (LSI)            | O          | O     | O             | O               | O                 | -                 | O       | - |
| Low Speed External (LSE)            | O          | O     | O             | O               | O                 | -                 | O       | - |
| Multi-Speed Internal (MSI)          | O          | O     | Y             | Y               | -                 | -                 | -       | - |
| Inter-Connect Controller            | Y          | Y     | Y             | Y               | Y                 | -                 | -       | - |
| RTC                                 | O          | O     | O             | O               | O                 | O                 | O       | - |
| RTC Tamper                          | O          | O     | O             | O               | O                 | O                 | O       | O |
| Auto WakeUp (AWU)                   | O          | O     | O             | O               | O                 | -                 | O       | O |
| USART                               | O          | O     | O             | O               | O <sup>(4)</sup>  | O                 | -       | - |
| LPUART                              | O          | O     | O             | O               | O <sup>(4)</sup>  | O                 | -       | - |
| SPI                                 | O          | O     | O             | O               | -                 | -                 | -       | - |
| I2C                                 | O          | O     | O             | O               | O <sup>(5)</sup>  | O                 | -       | - |
| ADC                                 | O          | O     | -             | -               | -                 | -                 | -       | - |
| Temperature sensor                  | O          | O     | O             | O               | O                 | -                 | -       | - |



**Table 5. Functionalities depending on the working mode (from Run/active down to standby) (continued)<sup>(1)(2)</sup>**

| IPs   | Run/Active                            | Sleep                                | Low-power run   | Low-power sleep   | Stop                                      |                   | Standby                                   |        |
|---|---------------------------------------|--------------------------------------|-----------------|-------------------|---|-------------------|---|--------|
|   |                                       |                                      |                 |                   | Wakeup capability                         | Wakeup capability |   |        |
| Comparators   | O                                     | O                                    | O               | O                 | O   | O                 | -   | -      |
| 16-bit timers   | O                                     | O                                    | O               | O                 | -   | -                 | -   | -      |
| LPTIM   | O                                     | O                                    | O               | O                 | O   | O                 | -   | -      |
| IWDG  | O                                     | O                                    | O               | O                 | O   | O                 | O   | O      |
| WWDG  | O                                     | O                                    | O               | O                 | -   | -                 | -   | -      |
| SysTick Timer   | O                                     | O                                    | O               | O                 | -   | -                 | -   | -      |
| GPIOs   | O                                     | O                                    | O               | O                 | O   | O                 | -   | 2 pins |
| Wakeup time to Run mode                               | 0 μs                                  | 6 CPU cycles                         | 3 μs            | 7 CPU cycles      | 5 μs                                      |                   | 65 μs                                     |        |
| Consumption<br>V <sub>DD</sub> =1.8 to 3.6 V<br>(Typ) | Down to<br>128 μA/MHz<br>(from Flash) | Down to<br>31 μA/MHz<br>(from Flash) | Down to<br>7 μA | Down to<br>3.8 μA | 0.29 μA (No RTC) V <sub>DD</sub> =1.8 V   |                   | 0.18 μA (No RTC) V <sub>DD</sub> =1.8 V   |        |
|   |                                       |                                      |                 |                   | 0.54 μA (with RTC) V <sub>DD</sub> =1.8 V |                   | 0.41 μA (with RTC) V <sub>DD</sub> =1.8 V |        |
|   |                                       |                                      |                 |                   | 0.34 μA (No RTC) V <sub>DD</sub> =3.0 V   |                   | 0.23 μA (No RTC) V <sub>DD</sub> =3.0 V   |        |
|   |                                       |                                      |                 |                   | 0.67 μA (with RTC) V <sub>DD</sub> =3.0 V |                   | 0.53 μA (with RTC) V <sub>DD</sub> =3.0 V |        |

- Legend:  
 “Y” = Yes (enable).  
 “O” = Optional, can be enabled/disabled by software  
 “-” = Not available
- The consumption values given in this table are preliminary data given for indication. They are subject to slight changes.
- Some peripherals with wakeup from Stop capability can request HSI to be enabled. In this case, HSI is woken up by the peripheral, and only feeds the peripheral which requested it. HSI is automatically put off when the peripheral does not need it anymore.
- UART and LPUART reception is functional in Stop mode. It generates a wakeup interrupt on Start. To generate a wakeup on address match or received frame event, the LPUART can run on LSE clock while the UART has to wake up or keep running the HSI clock.
- I2C address detection is functional in Stop mode. It generates a wakeup interrupt in case of address match. It will wake up the HSI during reception.

### 3.2 Interconnect matrix

Several peripherals are directly interconnected. This allows autonomous communication between peripherals, thus saving CPU resources and power consumption. In addition, these hardware connections allow fast and predictable latency.

Depending on peripherals, these interconnections can operate in Run, Sleep, Low-power run, Low-power sleep and Stop modes.



**Table 6. STM32L011x3/4 peripherals interconnect matrix**

| Interconnect source | Interconnect destination | Interconnect action  | Run | Sleep | Low-power run | Low-power sleep | Stop |
|---------------------|--------------------------|--|-----|-------|---------------|-----------------|------|
| COMPx               | TIM2,TIM21               | Timer input channel, trigger from analog signals comparison        | Y   | Y     | Y             | Y               | -    |
|                     | LPTIM1                   | Timer input channel, trigger from analog signals comparison        | Y   | Y     | Y             | Y               | Y    |
| TIMx                | TIMx                     | Timer triggered by other timer                                     | Y   | Y     | Y             | Y               | -    |
| RTC                 | TIM21                    | Timer triggered by Auto wake-up                                    | Y   | Y     | Y             | Y               | -    |
|                     | LPTIM1                   | Timer triggered by RTC event                                       | Y   | Y     | Y             | Y               | Y    |
| All clock source    | TIMx                     | Clock source used as input channel for RC measurement and trimming | Y   | Y     | Y             | Y               | -    |
| GPIO                | TIMx                     | Timer input channel and trigger                                    | Y   | Y     | Y             | Y               | -    |
|                     | LPTIM1                   | Timer input channel and trigger                                    | Y   | Y     | Y             | Y               | Y    |
|                     | ADC                      | Conversion trigger   | Y   | Y     | Y             | Y               | -    |

### 3.3 Arm® Cortex®-M0+ core

The Cortex-M0+ processor is an entry-level 32-bit Arm Cortex processor designed for a broad range of embedded applications. It offers significant benefits to developers, including:

- a simple architecture that is easy to learn and program
- ultra-low power, energy-efficient operation
- excellent code density
- deterministic, high-performance interrupt handling
- upward compatibility with Cortex-M processor family
- platform security robustness.

The Cortex-M0+ processor is built on a highly area and power optimized 32-bit processor core, with a 2-stage pipeline von Neumann architecture. The processor delivers exceptional energy efficiency through a small but powerful instruction set and extensively optimized design, providing high-end processing hardware including a single-cycle multiplier.

The Cortex-M0+ processor provides the exceptional performance expected of a modern 32-bit architecture, with a higher code density than other 8-bit and 16-bit microcontrollers.

Owing to its embedded Arm core, the STM32L011x3/4 are compatible with all Arm tools and software.



### Nested vectored interrupt controller (NVIC)

The ultra-low-power STM32L011x3/4 embed a nested vectored interrupt controller able to handle up to 32 maskable interrupt channels and 4 priority levels.

The Cortex-M0+ processor closely integrates a configurable Nested Vectored Interrupt Controller (NVIC), to deliver industry-leading interrupt performance. The NVIC:

- includes a Non-Maskable Interrupt (NMI)
- provides zero jitter interrupt option
- provides four interrupt priority levels

The tight integration of the processor core and NVIC provides fast execution of Interrupt Service Routines (ISRs), dramatically reducing the interrupt latency. This is achieved through the hardware stacking of registers, and the ability to abandon and restart load-multiple and store-multiple operations. Interrupt handlers do not require any assembler wrapper code, removing any code overhead from the ISRs. Tail-chaining optimization also significantly reduces the overhead when switching from one ISR to another.

To optimize low-power designs, the NVIC integrates with the sleep modes, that include a deep sleep function that enables the entire device to enter rapidly stop or standby mode.

This hardware block provides flexible interrupt management features with minimal interrupt latency.

## 3.4 Reset and supply management

### 3.4.1 Power supply schemes

- $V_{DD} = 1.65$  to  $3.6$  V: external power supply for I/Os and the internal regulator. Provided externally through  $V_{DD}$  pins.
- $V_{SSA}$ ,  $V_{DDA} = 1.65$  to  $3.6$  V: external analog power supplies for ADC, reset blocks, RCs and PLL.  $V_{DDA}$  and  $V_{SSA}$  must be connected to  $V_{DD}$  and  $V_{SS}$ , respectively. On TSSOP14 package,  $V_{DDA}$  is internally connected to  $V_{DD}$ .

### 3.4.2 Power supply supervisor

The devices feature an integrated ZEROPOWER power-on reset (POR)/power-down reset (PDR) that can be coupled with a brownout reset (BOR) circuitry.

Two versions are available:

- The version with BOR activated at power-on operates between  $1.8$  V and  $3.6$  V.
- The other version without BOR operates between  $1.65$  V and  $3.6$  V.

After the  $V_{DD}$  threshold is reached ( $1.65$  V or  $1.8$  V depending on the BOR which is active or not at power-on), the option byte loading process starts, either to confirm or modify default thresholds, or to disable the BOR permanently: in this case, the  $V_{DD}$  min value becomes  $1.65$  V (whatever the version, BOR active or not, at power-on).

When BOR is active at power-on, it ensures proper operation starting from  $1.8$  V whatever the power ramp-up phase before it reaches  $1.8$  V. When BOR is not active at power-up, the power ramp-up should guarantee that  $1.65$  V is reached on  $V_{DD}$  at least  $1$  ms after it exits the POR area.

Five BOR thresholds are available through option bytes, starting from 1.8 V to 3 V. To reduce the power consumption in Stop mode, it is possible to automatically switch off the internal reference voltage ( $V_{REFINT}$ ) in Stop mode. The device remains in reset mode when  $V_{DD}$  is below a specified threshold,  $V_{POR/PDR}$  or  $V_{BOR}$ , without the need for any external reset circuit.

*Note:* The start-up time at power-on is typically 3.3 ms when BOR is active at power-up, the start-up time at power-on can be decreased down to 1 ms typically for devices with BOR inactive at power-up.

The devices feature an embedded programmable voltage detector (PVD) that monitors the  $V_{DD}/V_{DDA}$  power supply and compares it to the  $V_{PVD}$  threshold. This PVD offers 7 different levels between 1.85 V and 3.05 V, chosen by software, with a step around 200 mV. An interrupt can be generated when  $V_{DD}/V_{DDA}$  drops below the  $V_{PVD}$  threshold and/or when  $V_{DD}/V_{DDA}$  is higher than the  $V_{PVD}$  threshold. The interrupt service routine can then generate a warning message and/or put the MCU into a safe state. The PVD is enabled by software.

### 3.4.3 Voltage regulator

The regulator has three operation modes: main (MR), low power (LPR) and power down.

- MR is used in Run mode (nominal regulation)
- LPR is used in the Low-power run, Low-power sleep and Stop modes
- Power down is used in Standby mode. The regulator output is high impedance, the kernel circuitry is powered down, inducing zero consumption but the contents of the registers and RAM are lost except for the standby circuitry (wake-up logic, IWDG, RTC, LSI, LSE crystal 32 KHz oscillator, RCC\_CSR).

### 3.4.4 Boot modes

At startup, BOOT0 pin and nBOOT0, nBOOT1 and nBOOT\_SEL option bits are used to select one of three boot options:

- Boot from Flash memory
- Boot from System memory
- Boot from embedded RAM

The bootloader is located in System memory. It is used to reprogram the Flash memory by using SPI1 (PA4, PA7, PA13 and PA14 on TSSOP14 package or PA4, PA5, PA6 and PA7 on other packages) or USART2 (PA2, PA3 and PA9, PA10).

If the bootloader is activated (the bootloader is active on all empty devices due to the empty check mechanism), then the above mentioned bits are configured depending on whether SPI1 or USART2 functionality is used.

See STM32™ microcontroller system memory boot mode AN2606 for details.

## 3.5 Clock management

The clock controller distributes the clocks coming from different oscillators to the core and the peripherals. It also manages clock gating for low-power modes and ensures clock robustness. It features:

- **Clock prescaler**

To get the best trade-off between speed and current consumption, the clock frequency to the CPU and peripherals can be adjusted by a programmable prescaler.
- **Safe clock switching**

Clock sources can be changed safely on the fly in Run mode through a configuration register.
- **Clock management**

To reduce power consumption, the clock controller can stop the clock to the core, individual peripherals or memory.
- **System clock source**

Three different clock sources can be used to drive the master clock SYSCLK:

  - 0-32 MHz high-speed external (HSE bypass), that can supply a PLL
  - 16 MHz high-speed internal RC oscillator (HSI), trimmable by software, that can supply a PLL
  - Multispeed internal RC oscillator (MSI), trimmable by software, able to generate 7 frequencies (65 kHz, 131 kHz, 262 kHz, 524 kHz, 1.05 MHz, 2.1 MHz, 4.2 MHz). When a 32.768 kHz clock source is available in the system (LSE), the MSI frequency can be trimmed by software down to a  $\pm 0.5\%$  accuracy.
- **Auxiliary clock source**

Two ultra-low-power clock sources that can be used to drive the real-time clock:

  - 32.768 kHz low-speed external crystal (LSE)
  - 37 kHz low-speed internal RC (LSI), also used to drive the independent watchdog. The LSI clock can be measured using the high-speed internal RC oscillator for greater precision.
- **RTC clock sources**

The LSI, LSE or HSE sources can be chosen to clock the RTC, whatever the system clock.
- **Startup clock**

After reset, the microcontroller restarts by default with an internal 2 MHz clock (MSI). The prescaler ratio and clock source can be changed by the application program as soon as the code execution starts.
- **Clock security system (CSS)**

This feature can be enabled by software. If an LSE clock failure occurs, it provides an interrupt or wakeup event which is generated assuming it has been previously enabled. This feature is not available on the HSE clock.
- **Clock-out capability (MCO: microcontroller clock output)**

It outputs one of the internal clocks for external use by the application.

Several prescalers allow the configuration of the AHB frequency, each APB (APB1 and APB2) domains. The maximum frequency of the AHB and the APB domains is 32 MHz. See [Figure 2](#) for details on the clock tree.

Figure 2. Clock tree



### 3.6 Low-power real-time clock and backup registers

The real time clock (RTC) and the 5 backup registers are supplied in all modes including standby mode. The backup registers are five 32-bit registers used to store 20 bytes of user application data. They are not reset by a system reset, or when the device wakes up from Standby mode.

The RTC is an independent BCD timer/counter. Its main features are the following:

- Calendar with subsecond, seconds, minutes, hours (12 or 24 format), week day, date, month, year, in BCD (binary-coded decimal) format
- Automatically correction for 28, 29 (leap year), 30, and 31 day of the month
- Two programmable alarms with wake up from Stop and Standby mode capability
- Periodic wakeup from Stop and Standby with programmable resolution and period
- On-the-fly correction from 1 to 32767 RTC clock pulses. This can be used to synchronize it with a master clock.
- Reference clock detection: a more precise second source clock (50 or 60 Hz) can be used to enhance the calendar precision.
- Digital calibration circuit with 1 ppm resolution, to compensate for quartz crystal inaccuracy
- 2 anti-tamper detection pins with programmable filter. The MCU can be woken up from Stop and Standby modes on tamper event detection.
- Timestamp feature which can be used to save the calendar content. This function can be triggered by an event on the timestamp pin, or by a tamper event. The MCU can be woken up from Stop and Standby modes on timestamp event detection.

The RTC clock sources can be:

- A 32.768 kHz external crystal
- A resonator or oscillator
- The internal low-power RC oscillator (typical frequency of 37 kHz)
- The high-speed external clock

### 3.7 General-purpose inputs/outputs (GPIOs)

Each of the GPIO pins can be configured by software as output (push-pull or open-drain), as input (with or without pull-up or pull-down) or as peripheral alternate function. Most of the GPIO pins are shared with digital or analog alternate functions, and can be individually remapped using dedicated alternate function registers. All GPIOs are high current capable. Each GPIO output, speed can be slowed (40 MHz, 10 MHz, 2 MHz, 400 kHz). The alternate function configuration of I/Os can be locked if needed following a specific sequence in order to avoid spurious writing to the I/O registers. The I/O controller is connected to a dedicated IO bus with a toggling speed of up to 32 MHz.

The BOOT0 pin is shared with PB9 GPIO pin. This pin is an input-only pin. If nBOOT\_SEL option bit is reset, sampling this pin on NRST rising edge gives the internal BOOT0 state. This pin then works as PB9 pin. The input voltage characteristics of this pin are specific for BOOT0 pin type (see [Table 50: I/O static characteristics](#)).

#### Extended interrupt/event controller (EXTI)

The extended interrupt/event controller consists of 26 edge detector lines used to generate interrupt/event requests. Each line can be individually configured to select the trigger event



(rising edge, falling edge, both) and can be masked independently. A pending register maintains the status of the interrupt requests. The EXTI can detect an external line with a pulse width shorter than the Internal APB2 clock period. Up to 38 GPIOs can be connected to the 16 configurable interrupt/event lines. The 10 other lines are connected to PVD, RTC, USART, I2C, LPUART, LPTIM or comparator events.

## 3.8 Memories

The STM32L011x3/4 devices have the following features:

- 2 Kbytes of embedded SRAM accessed (read/write) at CPU clock speed with 0 wait states. With the enhanced bus matrix, operating the RAM does not lead to any performance penalty during accesses to the system bus (AHB and APB buses).
- The non-volatile memory is divided into three arrays:
  - 8 or 16 Kbytes of embedded Flash program memory
  - 512 bytes of data EEPROM
  - Information block containing 32 user and factory options bytes plus 4 Kbytes of system memory

The user options bytes are used to write-protect or read-out protect the memory (with 4 Kbyte granularity) and/or readout-protect the whole memory with the following options:

- **Level 0:** no protection
- **Level 1:** memory readout protected.  
The Flash memory cannot be read from or written to if either debug features are connected or boot in RAM is selected
- **Level 2:** chip readout protected, debug features (Cortex-M0+ serial wire) and boot in RAM selection disabled (debugline fuse)

The whole non-volatile memory embeds the error correction code (ECC) feature.

## 3.9 Direct memory access (DMA)

The flexible 5-channel, general-purpose DMA is able to manage memory-to-memory, peripheral-to-memory and memory-to-peripheral transfers. The DMA controller supports circular buffer management, avoiding the generation of interrupts when the controller reaches the end of the buffer.

Each channel is connected to dedicated hardware DMA requests, with software trigger support for each channel. Configuration is done by software and transfer sizes between source and destination are independent.

The DMA can be used with the main peripherals: SPI, I<sup>2</sup>C, USART, LPUART, general-purpose timers, and ADC.

### 3.10 Analog-to-digital converter (ADC)

A native 12-bit, extended to 16-bit through hardware oversampling, analog-to-digital converter is embedded into STM32L011x3/4 devices. It has up to 10 external channels and 2 internal channels (temperature sensor, voltage reference). Three channels, PA0, PA4 and PA5, are fast channels, while the others are standard channels.

The ADC performs conversions in single-shot or scan mode. In scan mode, automatic conversion is performed on a selected group of analog inputs.

The ADC frequency is independent from the CPU frequency, allowing maximum sampling rate of 1.14 MSPS even with a low CPU speed. The ADC consumption is low at all frequencies (~25  $\mu$ A at 10 kSPS, ~200  $\mu$ A at 1MSPS). An auto-shutdown function guarantees that the ADC is powered off except during the active conversion phase.

The ADC can be served by the DMA controller. It can operate from a supply voltage down to 1.65 V.

The ADC features a hardware oversampler up to 256 samples, this improves the resolution to 16 bits (see AN2668).

An analog watchdog feature allows very precise monitoring of the converted voltage of one, some or all scanned channels. An interrupt is generated when the converted voltage is outside the programmed thresholds.

The events generated by the general-purpose timers (TIMx) can be internally connected to the ADC start triggers, to allow the application to synchronize A/D conversions and timers.

### 3.11 Temperature sensor

The temperature sensor ( $T_{SENSE}$ ) generates a voltage  $V_{SENSE}$  that varies linearly with temperature.

The temperature sensor is internally connected to the ADC\_IN18 input channel which is used to convert the sensor output voltage into a digital value.

The sensor provides good linearity but it has to be calibrated to obtain good overall accuracy of the temperature measurement. As the offset of the temperature sensor varies from chip to chip due to process variation, the uncalibrated internal temperature sensor is suitable for applications that detect temperature changes only.

To improve the accuracy of the temperature sensor measurement, each device is individually factory-calibrated by ST. The temperature sensor factory calibration data are stored by ST in the system memory area, accessible in read-only mode (see [Table 57: Temperature sensor calibration values](#)).

#### 3.11.1 Internal voltage reference ( $V_{REFINT}$ )

The internal voltage reference ( $V_{REFINT}$ ) provides a stable (bandgap) voltage output for the ADC and Comparators.  $V_{REFINT}$  is internally connected to the ADC\_IN17 input channel. It enables accurate monitoring of the  $V_{DD}$  value (since no external voltage,  $V_{REF+}$ , is available for ADC). The precise voltage of  $V_{REFINT}$  is individually measured for each part by ST during production test and stored in the system memory area (see [Table 20: Embedded internal reference voltage calibration values](#)). It is accessible in read-only mode.

### 3.12 Ultra-low-power comparators and reference voltage

The STM32L011x3/4 embed two comparators sharing the same current bias and reference voltage. The reference voltage can be internal or external (coming from an I/O).

- One comparator with ultra low consumption
- One comparator with rail-to-rail inputs, fast or slow mode.
- The threshold can be one of the following:
  - External I/O pins
  - Internal reference voltage ( $V_{REFINT}$ )
  - submultiple of Internal reference voltage(1/4, 1/2, 3/4) for the rail to rail comparator.

Both comparators can wake up the devices from Stop mode, and be combined into a window comparator.

The internal reference voltage is available externally via a low-power / low-current output buffer (driving current capability of 1  $\mu$ A typical).

### 3.13 System configuration controller

The system configuration controller provides the capability to remap some alternate functions on different I/O ports.

The highly flexible routing interface allows the application firmware to control the routing of different I/Os to the TIM2, TIM21 and LPTIM1 timer input captures. It also controls the routing of internal analog signals to the ADC, COMP1 and COMP2 and the internal reference voltage  $V_{REFINT}$ .

### 3.14 Timers and watchdogs

The ultra-low-power STM32L011x3/4 devices include two general-purpose timers, one low-power timer (LPTIM1), two watchdog timers and the SysTick timer.

[Table 7](#) compares the features of the general-purpose and basic timers.

**Table 7. Timer feature comparison**

| Timer | Counter resolution | Counter type      | Prescaler factor                | DMA request generation | Capture/compare channels | Complementary outputs |
|-------|--------------------|-------------------|---------------------------------|------------------------|--------------------------|-----------------------|
| TIM2  | 16-bit             | Up, down, up/down | Any integer between 1 and 65536 | Yes                    | 4                        | No                    |
| TIM21 | 16-bit             | Up, down, up/down | Any integer between 1 and 65536 | No                     | 2                        | No                    |

### 3.14.1 General-purpose timers (TIM2, TIM21)

There are three synchronizable general-purpose timers embedded in the STM32L011x3/4 devices (see [Table 7](#) for differences).

#### TIM2

TIM2 is based on 16-bit auto-reload up/down counter. It includes a 16-bit prescaler. It features four independent channels each for input capture/output compare, PWM or one-pulse mode output.

The TIM2 general-purpose timers can work together or with the TIM21 general-purpose timer via the Timer Link feature for synchronization or event chaining. Its counter can be frozen in debug mode. Any of the general-purpose timers can be used to generate PWM outputs.

TIM2 has independent DMA request generation.

This timer is capable of handling quadrature (incremental) encoder signals and the digital outputs from 1 to 3 hall-effect sensors.

#### TIM21

TIM21 is based on a 16-bit auto-reload up/down counter. It includes a 16-bit prescaler. It has two independent channels for input capture/output compare, PWM or one-pulse mode output. It can work together and be synchronized with TIM2 full-featured general-purpose timer.

It can also be used as simple timebase and be clocked by the LSE clock source (32.768 kHz) to provide independent timebase from the main CPU clock.

### 3.14.2 Low-power Timer (LPTIM)

The low-power timer has an independent clock and is running also in Stop mode if it is clocked by LSE, LSI or an external clock. It is able to wakeup the devices from Stop mode.

This low-power timer supports the following features:

- 16-bit up counter with 16-bit autoreload register
- 16-bit compare register
- Configurable output: pulse, PWM
- Continuous / one shot mode
- Selectable software / hardware input trigger
- Selectable clock source
  - Internal clock source: LSE, LSI, HSI or APB clock
  - External clock source over LPTIM1 input (working even with no internal clock source running, used by the Pulse Counter Application)
- Programmable digital glitch filter
- Encoder mode

### 3.14.3 SysTick timer

This timer is dedicated to the OS, but could also be used as a standard downcounter. It is based on a 24-bit downcounter with autoreload capability and a programmable clock source. It features a maskable system interrupt generation when the counter reaches '0'.

### 3.14.4 Independent watchdog (IWDG)

The independent watchdog is based on a 12-bit downcounter and 8-bit prescaler. It is clocked from an independent 37 kHz internal RC and, as it operates independently of the main clock, it can operate in Stop and Standby modes. It can be used either as a watchdog to reset the device when a problem occurs, or as a free-running timer for application timeout management. It is hardware- or software-configurable through the option bytes. The counter can be frozen in debug mode.

### 3.14.5 Window watchdog (WWDG)

The window watchdog is based on a 7-bit downcounter that can be set as free-running. It can be used as a watchdog to reset the device when a problem occurs. It is clocked from the main clock. It has an early warning interrupt capability and the counter can be frozen in debug mode.

## 3.15 Communication interfaces

### 3.15.1 I<sup>2</sup>C bus

One I<sup>2</sup>C interface (I2C1) can operate in multimaster or slave modes. The I<sup>2</sup>C interface can support Standard mode (Sm, up to 100 kbit/s), Fast mode (Fm, up to 400 kbit/s) and Fast Mode Plus (Fm+, up to 1 Mbit/s) with 20 mA output drive on some I/Os.

The I<sup>2</sup>C interface supports 7-bit and 10-bit addressing modes, multiple 7-bit slave addresses (2 addresses, 1 with configurable mask). They also include programmable analog and digital noise filters.

**Table 8. Comparison of I2C analog and digital filters**

|                                  | Analog filter   | Digital filter   |
|----------------------------------|---|--|
| Pulse width of suppressed spikes | ≥ 50 ns   | Programmable length from 1 to 15 I2C peripheral clocks                             |
| Benefits                         | Available in Stop mode                                | 1. Extra filtering capability vs. standard requirements.<br>2. Stable length       |
| Drawbacks                        | Variations depending on temperature, voltage, process | Wakeup from Stop on address match is not available when digital filter is enabled. |

In addition, I2C1 provides hardware support for SMBus 2.0 and PMBus 1.1: ARP capability, Host notify protocol, hardware CRC (PEC) generation/verification, timeouts verifications and ALERT protocol management. I2C1 also has a clock domain independent from the CPU clock, allowing the I2C1 to wake up the MCU from Stop mode on address match.

The I2C interface can be served by the DMA controller.

Refer to [Table 9](#) for the supported modes and features of I2C interface.

**Table 9. STM32L011x3/4 I<sup>2</sup>C implementation**

| I2C features <sup>(1)</sup>                                  | I2C1             |
|--|------------------|
| 7-bit addressing mode  | X                |
| 10-bit addressing mode                                       | X                |
| Standard mode (up to 100 kbit/s)                             | X                |
| Fast mode (up to 400 kbit/s)                                 | X                |
| Fast Mode Plus with 20 mA output drive I/Os (up to 1 Mbit/s) | X <sup>(2)</sup> |
| Independent clock  | X                |
| SMBus  | X                |
| Wakeup from STOP   | X                |

1. X = supported.
2. See [Table 13: Pin definitions on page 37](#) for the list of I/Os that feature Fast Mode Plus capability

### 3.15.2 Universal synchronous/asynchronous receiver transmitter (USART)

The USART interface (USART2) is able to communicate at speeds of up to 4 Mbit/s.

It provides hardware management of the CTS, RTS and RS485 driver enable (DE) signals, multiprocessor communication mode and single-wire half-duplex communication mode. USART2 also supports Smartcard communication (ISO 7816, T=0 protocol) and IrDA SIR ENDEC.

USART2 interface can be served by the DMA controller.

[Table 10](#) for the supported modes and features of USART interface.

**Table 10. USART implementation**

| USART modes/features <sup>(1)</sup>         | USART2 |
|---|--------|
| Hardware flow control for modem             | X      |
| Continuous communication using DMA          | X      |
| Multiprocessor communication                | X      |
| Synchronous mode                            | -      |
| Smartcard mode                              | X      |
| Single-wire half-duplex communication       | X      |
| IrDA SIR ENDEC block                        | X      |
| LIN mode                                    | -      |
| Dual clock domain and wakeup from Stop mode | -      |
| Receiver timeout interrupt                  | -      |
| Modbus communication                        | -      |
| Auto baud rate detection (4 modes)          | -      |
| Driver Enable                               | X      |

1. X = supported.



### 3.15.3 Low-power universal asynchronous receiver transmitter (LPUART)

The devices embed one Low-power UART. The LPUART supports asynchronous serial communication with minimum power consumption. It supports half duplex single wire communication and modem operations (CTS/RTS). It allows multiprocessor communication.

The LPUART has a clock domain independent from the CPU clock, and can wake up the system from Stop mode, using baudrates up to 46 Kbaud. The Wakeup events from Stop mode are programmable and can be:

- Start bit detection
- Or any received data frame
- Or a specific programmed data frame

Only a 32.768 kHz clock (LSE) is needed to allow LPUART communication up to 9600 baud. Therefore, even in Stop mode, the LPUART can wait for an incoming frame while having an extremely low energy consumption. Higher speed clock can be used to reach higher baudrates.

LPUART interface can be served by the DMA controller.

### 3.15.4 Serial peripheral interface (SPI)

The SPI is able to communicate at up to 16 Mbps/s in slave and master modes in full-duplex and half-duplex communication modes. The 3-bit prescaler gives 8 master mode frequencies and the frame is configurable to 8 bits or 16 bits. The hardware CRC generation/verification supports basic SD Card/MMC modes.

The SPI can be served by the DMA controller.

Refer to [Table 11](#) for the supported modes and features of SPI interface.

**Table 11. SPI implementation**

| SPI features <sup>(1)</sup> | SPI1 |
|-----------------------------|------|
| Hardware CRC calculation    | X    |
| I2S mode                    | -    |
| TI mode                     | X    |

1. X = supported.

### 3.16 Cyclic redundancy check (CRC) calculation unit

The CRC (cyclic redundancy check) calculation unit is used to get a CRC code using a configurable generator polynomial value and size.

Among other applications, CRC-based techniques are used to verify data transmission or storage integrity. In the scope of the EN/IEC 60335-1 standard, they offer a means of verifying the Flash memory integrity. The CRC calculation unit helps compute a signature of the software during runtime, to be compared with a reference signature generated at linktime and stored at a given memory location.

### 3.17 Serial wire debug port (SW-DP)

An Arm SW-DP interface is provided to allow a serial wire debugging tool to be connected to the MCU.



# 4 Pin descriptions

Figure 3. STM32L011x3/4 LQFP32 pinout



MSv37870V1

1. The above figure shows the package top view.

Figure 4. STM32L011x3/4 UFQFPN32 pinout



MSv37871V1

1. The above figure shows the package top view.

Figure 5. STM32L011x3/4 WLCSP25 pinout



1. The above figure shows the package top view.

Figure 6. STM32L011x3/4 UFQFPN28 pinout



1. The above figure shows the package top view.

Figure 7. STM32L011x3/4 UFQFPN20 pinout



1. The above figure shows the package top view.

Figure 8. STM32L011x3/4 TSSOP20 pinout



1. The above figure shows the package top view.

Figure 9. STM32L011x3/4 TSSOP14 pinout



1. The above figure shows the package top view.

Table 12. Legend/abbreviations used in the pinout table

| Name          | Abbreviation  | Definition   |
|---------------|---|--|
| Pin name      | Unless otherwise specified in brackets below the pin name, the pin function during and after reset is the same as the actual pin name |  |
| Pin type      | S   | Supply pin   |
|               | I   | Input only pin   |
|               | I/O   | Input / output pin   |
| I/O structure | FT  | 5 V tolerant I/O   |
|               | FTf   | 5 V tolerant I/O, FM+ capable                                    |
|               | TTa   | 3.3 V tolerant I/O directly connected to the ADC                 |
|               | TC  | Standard 3.3V I/O  |
|               | B   | Dedicated BOOT0 pin  |
|               | RST   | Bidirectional reset pin with embedded weak pull-up resistor      |
| Notes         | Unless otherwise specified by a note, all I/Os are set as floating inputs during and after reset.                                     |  |
| Pin functions | Alternate functions   | Functions selected through GPIOx_AFR registers                   |
|               | Additional functions  | Functions directly selected/enabled through peripheral registers |

Table 13. Pin definitions

| Pin number |          |         |          |        |                         |         | Pin name<br>(function<br>after reset) | Pin type | I/O structure | Notes  | Pin functions   |  |
|------------|----------|---------|----------|--------|-------------------------|---------|---------------------------------------|----------|---------------|--------|---|--|
| TSSOP14    | UFQFPN20 | TSSOP20 | UFQFPN28 | LQFP32 | UFQFPN32 <sup>(1)</sup> | WLCSP25 |                                       |          |               |        | Alternate functions   | Additional functions   |
| 2          | 1        | 2       | 2        | 2      | 2                       | B5      | PC14-<br>OSC32_IN                     | I/O      | FT            | -      | -   | OSC32_IN   |
| 3          | 2        | 3       | 3        | 3      | 3                       | C5      | PC15-<br>OSC32_OUT                    | I/O      | TC            | -      | -   | OSC32_OUT  |
| 4          | 3        | 4       | 4        | 4      | 4                       | D5      | NRST                                  | I/O      | RST           | (2)    | -   | -  |
| 10         | 4        | 5       | 5        | 5      | 5                       | C4      | VDDA                                  | S        | -             | (3)(4) | -   | -  |
| 5          | 5        | 6       | 6        | 6      | 6                       | E5      | PA0-CK_IN                             | I/O      | TTa           | -      | USART2_RX,<br>LPTIM1_IN1,<br>TIM2_CH1,<br>USART2_CTS,<br>TIM2_ETR,<br>LPUART1_RX,<br>COMP1_OUT              | COMP1_INM,<br>ADC_IN0,<br>RTC_TAMP2/WKU<br>P1/CK_IN              |
| 6          | 6        | 7       | 7        | 7      | 7                       | B4      | PA1                                   | I/O      | FT            | -      | EVENTOUT,<br>LPTIM1_IN2,<br>TIM2_CH2,<br>I2C1_SMBA,<br>USART2_RTS_DE,<br>TIM21_ETR,<br>LPUART1_TX           | COMP1_INP,<br>ADC_IN1  |
| -          | -        | 8       | 8        | 8      | 8                       | D4      | PA2                                   | I/O      | TTa           | -      | TIM21_CH1,<br>TIM2_CH3,<br>USART2_TX,<br>LPUART1_TX,<br>COMP2_OUT   | COMP2_INM,<br>ADC_IN2,<br>RTC_TAMP3/RTC_<br>TS/RTC_OUT/WKU<br>P3 |
| -          | -        | 9       | 9        | 9      | 9                       | E4      | PA3                                   | I/O      | FT            | -      | TIM21_CH2,<br>TIM2_CH4,<br>USART2_RX,<br>LPUART1_RX   | COMP2_INP,<br>ADC_IN3  |
| 7          | 7        | 10      | 10       | 10     | 10                      | B3      | PA4                                   | I/O      | TTa           | -      | SPI1_NSS,<br>LPTIM1_IN1,<br>LPTIM1_ETR,<br>I2C1_SCL,<br>USART2_CK,<br>TIM2_ETR,<br>LPUART1_TX,<br>COMP2_OUT | COMP1_INM,<br>COMP2_INM,<br>ADC_IN4                              |



Table 13. Pin definitions (continued)

| Pin number |          |         |          |        |                         |         | Pin name<br>(function<br>after reset) | Pin type | I/O structure | Notes | Pin functions  |                                     |
|------------|----------|---------|----------|--------|-------------------------|---------|---------------------------------------|----------|---------------|-------|--|-------------------------------------|
| TSSOP14    | UFQFPN20 | TSSOP20 | UFQFPN28 | LQFP32 | UFQFPN32 <sup>(1)</sup> | WLCSP25 |                                       |          |               |       | Alternate functions  | Additional functions                |
| -          | 8        | 11      | 11       | 11     | 11                      | D3      | PA5                                   | I/O      | TTa           | -     | SPI1_SCK,<br>LPTIM1_IN2,<br>TIM2_ETR,<br>TIM2_CH1                                | COMP1_INM,<br>COMP2_INM,<br>ADC_IN5 |
| -          | 9        | 12      | 12       | 12     | 12                      | E3      | PA6                                   | I/O      | FT            | -     | SPI1_MISO,<br>LPTIM1_ETR,<br>LPUART1_CTS,<br>EVENTOUT,<br>COMP1_OUT              | ADC_IN6                             |
| 8          | 10       | 13      | 13       | 13     | 13                      | C3      | PA7                                   | I/O      | FT            | -     | SPI1_MOSI,<br>LPTIM1_OUT,<br>USART2_CTS,<br>TIM21_ETR,<br>EVENTOUT,<br>COMP2_OUT | COMP2_INP,<br>ADC_IN7               |
| -          | -        | -       | 14       | 14     | 14                      | E2      | PB0                                   | I/O      | FT            | -     | EVENTOUT,<br>SPI1_MISO,<br>TIM2_CH2,<br>USART2_RTS_DE,<br>TIM2_CH3               | ADC_IN8,<br>VREF_OUT                |
| -          | 11       | 14      | 15       | 15     | 15                      | D2      | PB1                                   | I/O      | FT            | -     | USART2_CK,<br>SPI1_MOSI,<br>LPTIM1_IN1,<br>LPUART1_RTS_DE,<br>TIM2_CH4           | ADC_IN9,<br>VREF_OUT                |
| -          | -        | -       | -        | -      | 16                      | -       | PB2                                   | I/O      | FT            | -     | LPTIM1_OUT   | -                                   |
| 9          | 12       | 15      | 16       | 16     | -                       | E1      | VSS                                   | S        | -             | (5)   | -  | -                                   |
| 10         | 13       | 16      | 17       | 17     | 17                      | D1      | VDD                                   | S        | -             | (6)   | -  | -                                   |
| -          | -        | -       | 18       | 18     | 18                      | C1      | PA8                                   | I/O      | FT            | -     | MCO, LPTIM1_IN1,<br>EVENTOUT,<br>USART2_CK,<br>TIM2_CH1                          | -                                   |
| 11         | 14       | 17      | 19       | 19     | 19                      | B1      | PA9                                   | I/O      | FTf           | -     | MCO, I2C1_SCL,<br>LPTIM1_OUT,<br>USART2_TX,<br>TIM21_CH2,<br>COMP1_OUT           | -                                   |



Table 13. Pin definitions (continued)

| Pin number |          |         |          |        |                         |         | Pin name<br>(function<br>after reset) | Pin type | I/O structure | Notes | Pin functions   |                      |
|------------|----------|---------|----------|--------|-------------------------|---------|---------------------------------------|----------|---------------|-------|---|----------------------|
| TSSOP14    | UFQFPN20 | TSSOP20 | UFQFPN28 | LQFP32 | UFQFPN32 <sup>(1)</sup> | WLCSP25 |                                       |          |               |       | Alternate functions   | Additional functions |
| 12         | 15       | 18      | 20       | 20     | 20                      | C2      | PA10                                  | I/O      | FTf           | (7)   | TIM21_CH1,<br>I2C1_SDA,<br>RTC_REFIN,<br>USART2_RX,<br>TIM2_CH3,<br>COMP1_OUT               | -                    |
| -          | -        | -       | -        | 21     | 21                      | -       | PA11                                  | I/O      | FT            | -     | SPI1_MISO,<br>LPTIM1_OUT,<br>EVENTOUT,<br>USART2_CTS,<br>TIM21_CH2,<br>COMP1_OUT            | -                    |
| -          | -        | -       | -        | 22     | 22                      | -       | PA12                                  | I/O      | FT            | -     | SPI1_MOSI,<br>EVENTOUT,<br>USART2_RTS_DE,<br>COMP2_OUT                                      | -                    |
| 13         | 16       | 19      | 21       | 23     | 23                      | A1      | PA13                                  | I/O      | FTf           | -     | SWDIO,<br>LPTIM1_ETR,<br>I2C1_SDA,<br>SPI1_SCK,<br>LPUART1_RX,<br>COMP1_OUT                 | -                    |
| 14         | 17       | 20      | 22       | 24     | 24                      | A2      | PA14                                  | I/O      | FT            | (7)   | SWCLK,<br>LPTIM1_OUT,<br>I2C1_SMBA,<br>USART2_TX,<br>SPI1_MISO,<br>LPUART1_TX,<br>COMP2_OUT | -                    |
| -          | -        | -       | 23       | 25     | 25                      | -       | PA15                                  | I/O      | FT            | -     | SPI1_NSS,<br>TIM2_ETR,<br>EVENTOUT,<br>USART2_RX,<br>TIM2_CH1                               | -                    |
| -          | -        | -       | 24       | 26     | 26                      | B2      | PB3                                   | I/O      | FT            | -     | SPI1_SCK,<br>TIM2_CH2,<br>EVENTOUT  | COMP2_INM            |
| -          | -        | -       | 25       | 27     | 27                      | -       | PB4                                   | I/O      | FT            | -     | SPI1_MISO,<br>EVENTOUT  | COMP2_INP            |



Table 13. Pin definitions (continued)

| Pin number |          |         |          |        |                         |         | Pin name<br>(function<br>after reset) | Pin type | I/O structure | Notes | Pin functions   |                                  |
|------------|----------|---------|----------|--------|-------------------------|---------|---------------------------------------|----------|---------------|-------|---|----------------------------------|
| TSSOP14    | UFQFPN20 | TSSOP20 | UFQFPN28 | LQFP32 | UFQFPN32 <sup>(1)</sup> | WLCSP25 |                                       |          |               |       | Alternate functions   | Additional functions             |
| -          | -        | -       | 26       | 28     | 28                      | -       | PB5                                   | I/O      | FT            | -     | SPI1_MOSI,<br>LPTIM1_IN1,<br>I2C1_SMBA,<br>TIM21_CH1              | COMP2_INP                        |
| -          | 18       | -       | 27       | 29     | 29                      | A3      | PB6                                   | I/O      | FTf           | -     | USART2_TX,<br>I2C1_SCL,<br>LPTIM1_ETR,<br>TIM2_CH3,<br>LPUART1_TX | COMP2_INP                        |
| -          | 19       | -       | 28       | 30     | 30                      | A4      | PB7                                   | I/O      | FTf           | -     | USART2_RX,<br>I2C1_SDA,<br>LPTIM1_IN2,<br>TIM2_CH4,<br>LPUART1_RX | COMP2_INP,<br>VREF_PVD_IN        |
| 1          | 20       | 1       | 1        | 31     | 31                      | A5      | PB9-BOOT0                             | I        | B             | -     | -   | BOOT0 (Boot<br>memory selection) |
| -          | -        | -       | -        | -      | 32                      | -       | PB8                                   | I/O      | FTf           | -     | USART2_TX,<br>EVENTOUT,<br>I2C1_SCL,<br>SPI1_NSS                  | -                                |
| -          | -        | -       | -        | 32     | -                       | -       | VSS                                   | S        | -             | (5)   | -   | -                                |
| -          | -        | -       | -        | 1      | 1                       | -       | VDD                                   | S        | -             | (6)   | -   | -                                |

1. V<sub>SS</sub> pins are connected to the exposed pad (see [Figure 35: UFQFPN32 - 32-pin, 5x5 mm, 0.5 mm pitch ultra thin fine pitch quad flat package outline](#)).
2. Device reset input/internal reset output (active low).
3. Analog power supply.
4. On TSSOP14 package, V<sub>DDA</sub> is internally connected to V<sub>DD</sub>.
5. Digital and analog ground.
6. Digital power supply.
7. PA14 pin on TSSOP14 package acts as an output pin when the embedded bootloader is active (SPI1\_MISO). On empty devices (devices from factory), the bootloader is active due to the empty check mechanism (refer to RM0377 reference manual). PA14 pin also acts as SWCLK. When programming devices in TSSOP14 for the first time, it is necessary to use the "connect under reset" method and the SWD interface to disable the bootloader by driving this PA14/SWCLK pin.





**Table 14. Alternate functions**

| Ports  | AF0   | AF1                 | AF2  | AF3                     | AF4                                  | AF5               | AF6                    | AF7        |           |
|--------|---|---------------------|--|-------------------------|--------------------------------------|-------------------|------------------------|------------|-----------|
|        | SPI1/USART2/<br>TIM21/<br>EVENTOUT/<br>SYS_AF | SPI1/I2C1/<br>LPTIM | LPUART1/<br>LPTIM/TIM2/<br>EVENTOUT/<br>SYS_AF | I2C1/LPTIM/<br>EVENTOUT | I2C1/USART2/L<br>PUART1/<br>EVENTOUT | SPI1/TIM2/21      | LPUART1/EVE<br>VENTOUT | COMP1/2    |           |
| Port A | PA0   | USART2_RX           | LPTIM1_IN1                                     | TIM2_CH1                | -                                    | USART2_CTS        | TIM2_ETR               | LPUART1_RX | COMP1_OUT |
|        | PA1   | EVENTOUT            | LPTIM1_IN2                                     | TIM2_CH2                | I2C1_SMBA                            | USART2_RTS_<br>DE | TIM21_ETR              | LPUART1_TX | -         |
|        | PA2   | TIM21_CH1           | -  | TIM2_CH3                | -                                    | USART2_TX         | -                      | LPUART1_TX | COMP2_OUT |
|        | PA3   | TIM21_CH2           | -  | TIM2_CH4                | -                                    | USART2_RX         | -                      | LPUART1_RX | -         |
|        | PA4   | SPI1_NSS            | LPTIM1_IN1                                     | LPTIM1_ETR              | I2C1_SCL                             | USART2_CK         | TIM2_ETR               | LPUART1_TX | COMP2_OUT |
|        | PA5   | SPI1_SCK            | LPTIM1_IN2                                     | TIM2_ETR                | -                                    | -                 | TIM2_CH1               | -          | -         |
|        | PA6   | SPI1_MISO           | LPTIM1_ETR                                     | -                       | -                                    | LPUART1_CTS       | -                      | EVENTOUT   | COMP1_OUT |
|        | PA7   | SPI1_MOSI           | LPTIM1_OUT                                     | -                       | -                                    | USART2_CTS        | TIM21_ETR              | EVENTOUT   | COMP2_OUT |
|        | PA8   | MCO                 | -  | LPTIM1_IN1              | EVENTOUT                             | USART2_CK         | TIM2_CH1               | -          | -         |
|        | PA9   | MCO                 | I2C1_SCL                                       | LPTIM1_OUT              | -                                    | USART2_TX         | TIM21_CH2              | -          | COMP1_OUT |
|        | PA10  | TIM21_CH1           | I2C1_SDA                                       | RTC_REFIN               | -                                    | USART2_RX         | TIM2_CH3               | -          | COMP1_OUT |
|        | PA11  | SPI1_MISO           | LPTIM1_OUT                                     | EVENTOUT                | -                                    | USART2_CTS        | TIM21_CH2              | -          | COMP1_OUT |
|        | PA12  | SPI1_MOSI           | -  | EVENTOUT                | -                                    | USART2_RTS_<br>DE | -                      | -          | COMP2_OUT |
|        | PA13  | SWDIO               | LPTIM1_ETR                                     | -                       | I2C1_SDA                             | -                 | SPI1_SCK               | LPUART1_RX | COMP1_OUT |
|        | PA14  | SWCLK               | LPTIM1_OUT                                     | -                       | I2C1_SMBA                            | USART2_TX         | SPI1_MISO              | LPUART1_TX | COMP2_OUT |
| PA15   | SPI1_NSS                                      | -                   | TIM2_ETR                                       | EVENTOUT                | USART2_RX                            | TIM2_CH1          | -                      | -          |           |



Table 14. Alternate functions (continued)

| Ports  |      | AF0   | AF1                 | AF2  | AF3                     | AF4                                  | AF5          | AF6                    | AF7     |
|--------|------|---|---------------------|--|-------------------------|--------------------------------------|--------------|------------------------|---------|
|        |      | SPI1/USART2/<br>TIM21/<br>EVENTOUT/<br>SYS_AF | SPI1/I2C1/<br>LPTIM | LPUART1/<br>LPTIM/TIM2/<br>EVENTOUT/<br>SYS_AF | I2C1/LPTIM/<br>EVENTOUT | I2C1/USART2/L<br>PUART1/<br>EVENTOUT | SPI1/TIM2/21 | LPUART1/EVE<br>VENTOUT | COMP1/2 |
| Port B | PB0  | EVENTOUT                                      | SPI1_MISO           | TIM2_CH2                                       | -                       | USART2_RTS_<br>DE                    | TIM2_CH3     | -                      | -       |
|        | PB1  | USART2_CK                                     | SPI1_MOSI           | LPTIM1_IN1                                     | -                       | LPUART1_RTS_<br>DE                   | TIM2_CH4     | -                      | -       |
|        | PB2  | -   | -                   | LPTIM1_OUT                                     | -                       | -                                    | -            | -                      | -       |
|        | PB3  | SPI1_SCK                                      | -                   | TIM2_CH2                                       | -                       | EVENTOUT                             | -            | -                      | -       |
|        | PB4  | SPI1_MISO                                     | -                   | EVENTOUT                                       | -                       | -                                    | -            | -                      | -       |
|        | PB5  | SPI1_MOSI                                     | -                   | LPTIM1_IN1                                     | I2C1_SMBA               | -                                    | TIM21_CH1    | -                      | -       |
|        | PB6  | USART2_TX                                     | I2C1_SCL            | LPTIM1_ETR                                     | -                       | -                                    | TIM2_CH3     | LPUART1_TX             | -       |
|        | PB7  | USART2_RX                                     | I2C1_SDA            | LPTIM1_IN2                                     | -                       | -                                    | TIM2_CH4     | LPUART1_RX             | -       |
|        | PB8  | USART2_TX                                     | -                   | EVENTOUT                                       | -                       | I2C1_SCL                             | SPI1_NSS     | -                      | -       |
| PB9    | -    | -   | -                   | -  | -                       | -                                    | -            | -                      |         |
| Port C | PC14 | -   | -                   | -  | -                       | -                                    | -            | -                      | -       |
|        | PC15 | -   | -                   | -  | -                       | -                                    | -            | -                      | -       |

## 5 Memory mapping

Refer to the product line reference manual for details on the memory mapping as well as the boundary addresses for all peripherals.

## 6 Electrical characteristics

### 6.1 Parameter conditions

Unless otherwise specified, all voltages are referenced to  $V_{SS}$ .

#### 6.1.1 Minimum and maximum values

Unless otherwise specified the minimum and maximum values are guaranteed in the worst conditions of ambient temperature, supply voltage and frequencies by tests in production on 100% of the devices with an ambient temperature at  $T_A = 25\text{ }^\circ\text{C}$  and  $T_A = T_{Amax}$  (given by the selected temperature range).

Data based on characterization results, design simulation and/or technology characteristics are indicated in the table footnotes and are not tested in production. Based on characterization, the minimum and maximum values refer to sample tests and represent the mean value plus or minus three times the standard deviation ( $\text{mean} \pm 3\sigma$ ).

#### 6.1.2 Typical values

Unless otherwise specified, typical data are based on  $T_A = 25\text{ }^\circ\text{C}$ ,  $V_{DD} = 3.6\text{ V}$  (for the  $1.65\text{ V} \leq V_{DD} \leq 3.6\text{ V}$  voltage range). They are given only as design guidelines and are not tested.

Typical ADC accuracy values are determined by characterization of a batch of samples from a standard diffusion lot over the full temperature range, where 95% of the devices have an error less than or equal to the value indicated ( $\text{mean} \pm 2\sigma$ ).

#### 6.1.3 Typical curves

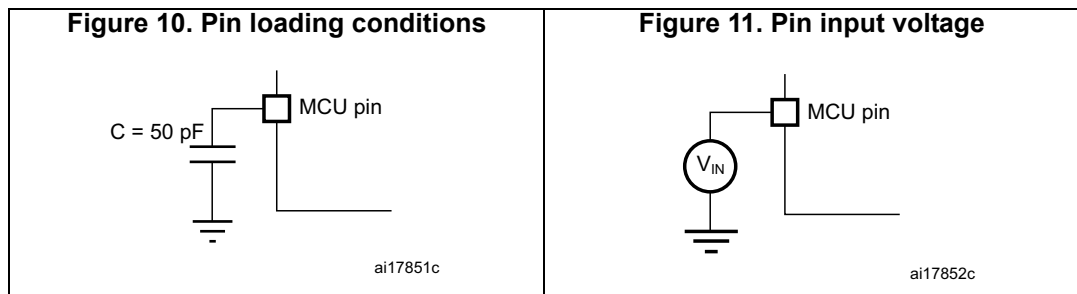
Unless otherwise specified, all typical curves are given only as design guidelines and are not tested.

#### 6.1.4 Loading capacitor

The loading conditions used for pin parameter measurement are shown in [Figure 10](#).

#### 6.1.5 Pin input voltage

The input voltage measurement on a pin of the device is described in [Figure 11](#).



### 6.1.6 Power supply scheme

Figure 12. Power supply scheme



1. On TSSOP14 package,  $V_{DDA}$  is internally connected to  $V_{DD}$ .
2.  $V_{SSA}$  is internally connected to  $V_{SS}$  on all packages.

### 6.1.7 Current consumption measurement

Figure 13. Current consumption measurement scheme



## 6.2 Absolute maximum ratings

Stresses above the absolute maximum ratings listed in [Table 15: Voltage characteristics](#), [Table 16: Current characteristics](#), and [Table 17: Thermal characteristics](#) may cause permanent damage to the device. These are stress ratings only and functional operation of the device at these conditions is not implied. Exposure to maximum rating conditions for extended periods may affect device reliability. Device mission profile (application conditions) is compliant with JEDEC JESD47 Qualification Standard. Extended mission profiles are available on demand.

**Table 15. Voltage characteristics**

| Symbol              | Ratings   | Min                                | Max          | Unit |
|---------------------|---|------------------------------------|--------------|------|
| $V_{DD}-V_{SS}$     | External main supply voltage (including $V_{DDA}$ , $V_{DD}$ ) <sup>(1)</sup> | -0.3                               | 4.0          | V    |
| $V_{IN}^{(2)}$      | Input voltage on FT and FTf pins  | $V_{SS}-0.3$                       | $V_{DD}+4.0$ |      |
|                     | Input voltage on TC pins  | $V_{SS}-0.3$                       | 4.0          |      |
|                     | Input voltage on BOOT0  | $V_{SS}$                           | $V_{DD}+4.0$ |      |
|                     | Input voltage on any other pin  | $V_{SS}-0.3$                       | 4.0          |      |
| $ \Delta V_{DD} $   | Variations between different $V_{DDx}$ power pins                             | -                                  | 50           | mV   |
| $ V_{DDA}-V_{DDx} $ | Variations between any $V_{DDx}$ and $V_{DDA}$ power pins <sup>(3)</sup>      | -                                  | 300          |      |
| $ \Delta V_{SS} $   | Variations between all different ground pins                                  | -                                  | 50           |      |
| $V_{ESD(HBM)}$      | Electrostatic discharge voltage (human body model)                            | see <a href="#">Section 6.3.11</a> |              |      |

1. All main power ( $V_{DD}$ ,  $V_{DDA}$ ) and ground ( $V_{SS}$ ,  $V_{SSA}$ ) pins must always be connected to the external power supply, in the permitted range.
2.  $V_{IN}$  maximum must always be respected. Refer to [Table 16](#) for maximum allowed injected current values.
3. It is recommended to power  $V_{DD}$  and  $V_{DDA}$  from the same source. A maximum difference of 300 mV between  $V_{DD}$  and  $V_{DDA}$  can be tolerated during power-up and device operation. its value does not need to respect this rule.

Table 16. Current characteristics

| Symbol                     | Ratings  | Max.                   | Unit |
|----------------------------|--|------------------------|------|
| $\Sigma I_{VDD}^{(2)}$     | Total current into sum of all $V_{DD}$ power lines (source) <sup>(1)</sup>     | 105                    | mA   |
| $\Sigma I_{VSS}^{(2)}$     | Total current out of sum of all $V_{SS}$ ground lines (sink) <sup>(1)</sup>    | 105                    |      |
| $I_{VDD(PIN)}$             | Maximum current into each $V_{DD}$ power pin (source) <sup>(1)</sup>           | 100                    |      |
| $I_{VSS(PIN)}$             | Maximum current out of each $V_{SS}$ ground pin (sink) <sup>(1)</sup>          | 100                    |      |
| $I_{IO}$                   | Output current sunk by any I/O and control pin except FTf pins                 | 16                     |      |
|                            | Output current sunk by FTf pins  | 22                     |      |
|                            | Output current sourced by any I/O and control pin                              | -16                    |      |
| $\Sigma I_{IO(PIN)}^{(3)}$ | Total output current sunk by sum of all IOs and control pins <sup>(4)</sup>    | 45                     |      |
|                            | Total output current sourced by sum of all IOs and control pins                | -45                    |      |
| $\Sigma I_{IO(PIN)}$       | Total output current sunk by sum of all IOs and control pins <sup>(2)</sup>    | 90                     |      |
|                            | Total output current sourced by sum of all IOs and control pins <sup>(2)</sup> | -90                    |      |
| $I_{INJ(PIN)}$             | Injected current on FT, FFf, RST and B pins                                    | -5/+0 <sup>(5)</sup>   |      |
|                            | Injected current on TC pin   | $\pm 5$ <sup>(6)</sup> |      |
| $\Sigma I_{INJ(PIN)}$      | Total injected current (sum of all I/O and control pins) <sup>(7)</sup>        | $\pm 25$               |      |

- All main power ( $V_{DD}$ ,  $V_{DDA}$ ) and ground ( $V_{SS}$ ,  $V_{SSA}$ ) pins must always be connected to the external power supply, in the permitted range.
- This current consumption must be correctly distributed over all I/Os and control pins. The total output current must not be sunk/sourced between two consecutive power supply pins referring to high pin count LQFP packages.
- These values apply only to STM32L011GxUx part number (UFQFPN28 package).
- This current consumption must be correctly distributed over all I/Os and control pins. In particular, it must be located the closest possible to the couple of supply and ground, and distributed on both sides.
- Positive current injection is not possible on these I/Os. A negative injection is induced by  $V_{IN} < V_{SS}$ .  $I_{INJ(PIN)}$  must never be exceeded. Refer to [Table 15](#) for maximum allowed input voltage values.
- A positive injection is induced by  $V_{IN} > V_{DD}$  while a negative injection is induced by  $V_{IN} < V_{SS}$ .  $I_{INJ(PIN)}$  must never be exceeded. Refer to [Table 15: Voltage characteristics](#) for the maximum allowed input voltage values.
- When several inputs are submitted to a current injection, the maximum  $\Sigma I_{INJ(PIN)}$  is the absolute sum of the positive and negative injected currents (instantaneous values).

Table 17. Thermal characteristics

| Symbol    | Ratings                      | Value       | Unit |
|-----------|------------------------------|-------------|------|
| $T_{STG}$ | Storage temperature range    | -65 to +150 | °C   |
| $T_J$     | Maximum junction temperature | 150         | °C   |

## 6.3 Operating conditions

### 6.3.1 General operating conditions

Table 18. General operating conditions

| Symbol      | Parameter   | Conditions  | Min  | Max          | Unit |
|-------------|---|---|------|--------------|------|
| $f_{HCLK}$  | Internal AHB clock frequency  | -   | 0    | 32           | MHz  |
| $f_{PCLK1}$ | Internal APB1 clock frequency   | -   | 0    | 32           |      |
| $f_{PCLK2}$ | Internal APB2 clock frequency   | -   | 0    | 32           |      |
| $V_{DD}$    | Standard operating voltage  | BOR detector disabled                               | 1.65 | 3.6          | V    |
|             |   | BOR detector enabled, at power on                   | 1.8  | 3.6          |      |
|             |   | BOR detector disabled, after power on               | 1.65 | 3.6          |      |
| $V_{DDA}$   | Analog operating voltage (all features)   | Must be the same voltage as $V_{DD}$ <sup>(1)</sup> | 1.65 | 3.6          | V    |
| $V_{IN}$    | Input voltage on FT, FTf and RST pins <sup>(2)</sup>  | $2.0\text{ V} \leq V_{DD} \leq 3.6\text{ V}$        | -0.3 | 5.5          | V    |
|             |   | $1.65\text{ V} \leq V_{DD} \leq 2.0\text{ V}$       | -0.3 | 5.2          |      |
|             | Input voltage on BOOT0 pin  | -   | 0    | 5.5          |      |
|             | Input voltage on TC pin   | -   | -0.3 | $V_{DD}+0.3$ |      |
| $P_D$       | Power dissipation at $T_A = 85\text{ °C}$ (range 6) or $T_A = 105\text{ °C}$ (range 7) <sup>(3)</sup> | LQFP32 package                                      | -    | 333          | mW   |
|             |   | UFQFPN32 package                                    | -    | 513          |      |
|             |   | UFQFPN28 package                                    | -    | 206          |      |
|             |   | WLCSP25 package                                     | -    | 286          |      |
|             |   | TSSOP20 package                                     | -    | 270          |      |
|             |   | UFQFPN20 package                                    | -    | 196          |      |
|             |   | TSSOP14 package                                     | -    | 210          |      |
|             | Power dissipation at $T_A = 125\text{ °C}$ (range 3) <sup>(3)</sup>                                   | LQFP32 package                                      | -    | 83           |      |
|             |   | UFQFPN32 package                                    | -    | 128          |      |
|             |   | UFQFPN28 package                                    | -    | 52           |      |
|             |   | WLCSP25 package                                     | -    | 71           |      |
|             |   | TSSOP20 package                                     | -    | 67           |      |
|             |   | UFQFPN20 package                                    | -    | 49           |      |
|             |   | TSSOP14 package                                     | -    | 53           |      |



Table 18. General operating conditions (continued)

| Symbol         | Parameter                            | Conditions                          | Min | Max | Unit |
|----------------|--------------------------------------|-------------------------------------|-----|-----|------|
| T <sub>A</sub> | Temperature range                    | Maximum power dissipation (range 6) | -40 | 85  | °C   |
|                |                                      | Maximum power dissipation (range 7) | -40 | 105 |      |
|                |                                      | Maximum power dissipation (range 3) | -40 | 125 |      |
| T <sub>J</sub> | Junction temperature range (range 6) | -40 °C ≤ T <sub>A</sub> ≤ 85 °      | -40 | 105 |      |
|                | Junction temperature range (range 7) | -40 °C ≤ T <sub>A</sub> ≤ 105 °C    | -40 | 125 |      |
|                | Junction temperature range (range 3) | -40 °C ≤ T <sub>A</sub> ≤ 125 °C    | -40 | 130 |      |

1. It is recommended to power V<sub>DD</sub> and V<sub>DDA</sub> from the same source. A maximum difference of 300 mV between V<sub>DD</sub> and V<sub>DDA</sub> can be tolerated during power-up and normal operation.
2. To sustain a voltage higher than V<sub>DD</sub>+0.3V, the internal pull-up/pull-down resistors must be disabled.
3. If T<sub>A</sub> is lower, higher P<sub>D</sub> values are allowed as long as T<sub>J</sub> does not exceed T<sub>J</sub> max (see [Table 17: Thermal characteristics on page 47](#)).

### 6.3.2 Embedded reset and power control block characteristics

The parameters given in the following table are derived from the tests performed under the ambient temperature condition summarized in [Table 18](#).

Table 19. Embedded reset and power control block characteristics

| Symbol                               | Parameter                           | Conditions  | Min  | Typ  | Max  | Unit |
|--------------------------------------|-------------------------------------|---|------|------|------|------|
| t <sub>VDD</sub> <sup>(1)</sup>      | V <sub>DD</sub> rise time rate      | BOR detector enabled                                | 0    | -    | ∞    | µs/V |
|                                      |                                     | BOR detector disabled                               | 0    | -    | 1000 |      |
|                                      | V <sub>DD</sub> fall time rate      | BOR detector enabled                                | 20   | -    | ∞    |      |
|                                      |                                     | BOR detector disabled                               | 0    | -    | 1000 |      |
| T <sub>RSTTEMPO</sub> <sup>(1)</sup> | Reset temporization                 | V <sub>DD</sub> rising, BOR enabled                 | -    | 2    | 3.3  | ms   |
|                                      |                                     | V <sub>DD</sub> rising, BOR disabled <sup>(2)</sup> | 0.4  | 0.7  | 1.6  |      |
| V <sub>POR/PDR</sub>                 | Power on/power down reset threshold | Falling edge  | 1    | 1.5  | 1.65 | V    |
|                                      |                                     | Rising edge   | 1.3  | 1.5  | 1.65 |      |
| V <sub>BOR0</sub>                    | Brown-out reset threshold 0         | Falling edge  | 1.67 | 1.7  | 1.74 |      |
|                                      |                                     | Rising edge   | 1.69 | 1.76 | 1.8  |      |
| V <sub>BOR1</sub>                    | Brown-out reset threshold 1         | Falling edge  | 1.87 | 1.93 | 1.97 |      |
|                                      |                                     | Rising edge   | 1.96 | 2.03 | 2.07 |      |
| V <sub>BOR2</sub>                    | Brown-out reset threshold 2         | Falling edge  | 2.22 | 2.30 | 2.35 |      |
|                                      |                                     | Rising edge   | 2.31 | 2.41 | 2.44 |      |

**Table 19. Embedded reset and power control block characteristics (continued)**

| Symbol            | Parameter                                 | Conditions                                | Min  | Typ  | Max  | Unit |
|-------------------|---|---|------|------|------|------|
| V <sub>BOR3</sub> | Brown-out reset threshold 3               | Falling edge                              | 2.45 | 2.55 | 2.6  | V    |
|                   |   | Rising edge                               | 2.54 | 2.66 | 2.7  |      |
| V <sub>BOR4</sub> | Brown-out reset threshold 4               | Falling edge                              | 2.68 | 2.8  | 2.85 |      |
|                   |   | Rising edge                               | 2.78 | 2.9  | 2.95 |      |
| V <sub>PVD0</sub> | Programmable voltage detector threshold 0 | Falling edge                              | 1.8  | 1.85 | 1.88 |      |
|                   |   | Rising edge                               | 1.88 | 1.94 | 1.99 |      |
| V <sub>PVD1</sub> | PVD threshold 1                           | Falling edge                              | 1.98 | 2.04 | 2.09 |      |
|                   |   | Rising edge                               | 2.08 | 2.14 | 2.18 |      |
| V <sub>PVD2</sub> | PVD threshold 2                           | Falling edge                              | 2.20 | 2.24 | 2.28 |      |
|                   |   | Rising edge                               | 2.28 | 2.34 | 2.38 |      |
| V <sub>PVD3</sub> | PVD threshold 3                           | Falling edge                              | 2.39 | 2.44 | 2.48 |      |
|                   |   | Rising edge                               | 2.47 | 2.54 | 2.58 |      |
| V <sub>PVD4</sub> | PVD threshold 4                           | Falling edge                              | 2.57 | 2.64 | 2.69 |      |
|                   |   | Rising edge                               | 2.68 | 2.74 | 2.79 |      |
| V <sub>PVD5</sub> | PVD threshold 5                           | Falling edge                              | 2.77 | 2.83 | 2.88 |      |
|                   |   | Rising edge                               | 2.87 | 2.94 | 2.99 |      |
| V <sub>PVD6</sub> | PVD threshold 6                           | Falling edge                              | 2.97 | 3.05 | 3.09 |      |
|                   |   | Rising edge                               | 3.08 | 3.15 | 3.20 |      |
| V <sub>hyst</sub> | Hysteresis voltage                        | BOR0 threshold                            | -    | 40   | -    | mV   |
|                   |   | All BOR and PVD thresholds excepting BOR0 | -    | 100  | -    |      |

1. Guaranteed by characterization results, not tested in production.
2. Valid for device version without BOR at power up. Please see option "D" in Ordering information scheme for more details.

### 6.3.3 Embedded internal reference voltage

The parameters given in [Table 21](#) are based on characterization results, unless otherwise specified.

**Table 20. Embedded internal reference voltage calibration values**

| Calibration value name | Description  | Memory address            |
|------------------------|--|---------------------------|
| VREFINT_CAL            | Raw data acquired at temperature of 25°C<br>$V_{DDA} = 3\text{ V}$ | 0x1FF8 0078 - 0x1FF8 0079 |

**Table 21. Embedded internal reference voltage<sup>(1)</sup>**

| Symbol                           | Parameter   | Conditions   | Min   | Typ   | Max   | Unit                     |
|----------------------------------|---|--|-------|-------|-------|--------------------------|
| $V_{\text{REFINT\_out}}^{(2)}$   | Internal reference voltage  | $-40\text{ °C} < T_J < +125\text{ °C}$                         | 1.202 | 1.224 | 1.242 | V                        |
| $T_{\text{VREFINT}}$             | Internal reference startup time                                       | -  | -     | 2     | 3     | ms                       |
| $V_{\text{VREF\_MEAS}}$          | $V_{\text{DDA}}$ voltage during $V_{\text{REFINT}}$ factory measure   | -  | 2.99  | 3     | 3.01  | V                        |
| $A_{\text{VREF\_MEAS}}$          | Accuracy of factory-measured $V_{\text{REFINT}}$ value <sup>(3)</sup> | Including uncertainties due to ADC and $V_{\text{DDA}}$ values | -     | -     | ±5    | mV                       |
| $T_{\text{Ccoeff}}^{(4)}$        | Temperature coefficient   | $-40\text{ °C} < T_J < +125\text{ °C}$                         | -     | 25    | 100   | ppm/°C                   |
|                                  |   | $0\text{ °C} < T_J < +50\text{ °C}$                            | -     | -     | 20    |                          |
| $A_{\text{Ccoeff}}^{(4)}$        | Long-term stability   | 1000 hours, $T = 25\text{ °C}$                                 | -     | -     | 1000  | ppm                      |
| $V_{\text{DDCcoeff}}^{(4)}$      | Voltage coefficient   | $3.0\text{ V} < V_{\text{DDA}} < 3.6\text{ V}$                 | -     | -     | 2000  | ppm/V                    |
| $T_{\text{S\_vrefint}}^{(4)(5)}$ | ADC sampling time when reading the internal reference voltage         | -  | 5     | 10    | -     | µs                       |
| $T_{\text{ADC\_BUF}}^{(4)}$      | Startup time of reference voltage buffer for ADC                      | -  | -     | -     | 10    | µs                       |
| $I_{\text{BUF\_ADC}}^{(4)}$      | Consumption of reference voltage buffer for ADC                       | -  | -     | 13.5  | 25    | µA                       |
| $I_{\text{VREF\_OUT}}^{(4)}$     | VREF_OUT output current <sup>(6)</sup>                                | -  | -     | -     | 1     | µA                       |
| $C_{\text{VREF\_OUT}}^{(4)}$     | VREF_OUT output load  | -  | -     | -     | 50    | pF                       |
| $I_{\text{LPBUF}}^{(4)}$         | Consumption of reference voltage buffer for VREF_OUT and COMP         | -  | -     | 730   | 1200  | nA                       |
| $V_{\text{REFINT\_DIV1}}^{(4)}$  | 1/4 reference voltage   | -  | 24    | 25    | 26    | %<br>$V_{\text{REFINT}}$ |
| $V_{\text{REFINT\_DIV2}}^{(4)}$  | 1/2 reference voltage   | -  | 49    | 50    | 51    |                          |
| $V_{\text{REFINT\_DIV3}}^{(4)}$  | 3/4 reference voltage   | -  | 74    | 75    | 76    |                          |

1. Refer to [Table 33: Peripheral current consumption in Stop and Standby mode](#) for the value of the internal reference current consumption ( $I_{\text{REFINT}}$ ).
2. Guaranteed by test in production.
3. The internal  $V_{\text{REF}}$  value is individually measured in production and stored in dedicated EEPROM bytes.

4. Guaranteed by design, not tested in production.
5. Shortest sampling time can be determined in the application by multiple iterations.
6. To guarantee less than 1% VREF\_OUT deviation.

### 6.3.4 Supply current characteristics

The current consumption is a function of several parameters and factors such as the operating voltage, temperature, I/O pin loading, device software configuration, operating frequencies, I/O pin switching rate, program location in memory and executed binary code. The current consumption is measured as described in [Figure 13: Current consumption measurement scheme](#).

All Run-mode current consumption measurements given in this section are performed with a reduced code that gives a consumption equivalent to Dhrystone 2.1 code if not specified otherwise.

The current consumption values are derived from the tests performed under ambient temperature and  $V_{DD}$  supply voltage conditions summarized in [Table 18: General operating conditions](#) unless otherwise specified.

The MCU is placed under the following conditions:

- All I/O pins are configured in analog input mode
- All peripherals are disabled except when explicitly mentioned
- The Flash memory access time and prefetch is adjusted depending on  $f_{HCLK}$  frequency and voltage range to provide the best CPU performance unless otherwise specified.
- When the peripherals are enabled  $f_{APB1} = f_{APB2} = f_{APB}$
- When PLL is ON, the PLL inputs are equal to HSI = 16 MHz (if internal clock is used) or HSE = 16 MHz (if HSE bypass mode is used)
- The HSE user clock is applied to CK\_IN. It follows the characteristic specified in [Table 35: High-speed external user clock characteristics](#)
- For maximum current consumption  $V_{DD} = V_{DDA} = 3.6$  V is applied to all supply pins
- For typical current consumption  $V_{DD} = V_{DDA} = 3.0$  V is applied to all supply pins if not specified otherwise

**Table 22. Current consumption in Run mode, code with data processing running from Flash**

| Symbol                              | Parameter  | Conditions   |   | f <sub>HCLK</sub> | Typ  | Max <sup>(1)</sup> | Unit |
|-------------------------------------|--|--|---|-------------------|------|--------------------|------|
| I <sub>DD</sub><br>(Run from Flash) | Supply current in Run mode, code executed from Flash | f <sub>HSE</sub> = f <sub>HCLK</sub> up to 16 MHz included, f <sub>HSE</sub> = f <sub>HCLK</sub> /2 above 16 MHz (PLL ON) <sup>(2)</sup> | Range 3, V <sub>CORE</sub> =1.2 V, VOS[1:0]=11  | 1 MHz             | 140  | 180                | μA   |
|                                     |  |  |   | 2 MHz             | 245  | 290                |      |
|                                     |  |  |   | 4 MHz             | 460  | 540                |      |
|                                     |  |  | Range 2, V <sub>CORE</sub> =1.5 V, VOS[1:0]=10, | 4 MHz             | 0.56 | 0.65               | mA   |
|                                     |  |  |   | 8 MHz             | 1.1  | 1.3                |      |
|                                     |  |  |   | 16 MHz            | 2.1  | 2.4                |      |
|                                     |  | Range 1, V <sub>CORE</sub> =1.8 V, VOS[1:0]=01   | 8 MHz   | 1.3               | 1.6  |                    |      |
|                                     |  |  | 16 MHz  | 2.6               | 3    |                    |      |
|                                     |  |  | 32 MHz  | 5.3               | 6.5  |                    |      |
|                                     |  | MSI clock  | Range 3, V <sub>CORE</sub> =1.2 V, VOS[1:0]=11  | 65 kHz            | 34.5 | 54                 | μA   |
|                                     |  |  |   | 524 kHz           | 86   | 120                |      |
|                                     |  |  |   | 4.2 MHz           | 505  | 560                |      |
| HSI clock                           | Range 2, V <sub>CORE</sub> =1.5 V, VOS[1:0]=10,      | 16 MHz   | 2.2   | 2.6               | mA   |                    |      |
|                                     | Range 1, V <sub>CORE</sub> =1.8 V, VOS[1:0]=01       | 32 MHz   | 5.4   | 5.9               |      |                    |      |

1. Guaranteed by characterization results at 125 °C, not tested in production, unless otherwise specified.
2. Oscillator bypassed (HSEBYP = 1 in RCC\_CR register).

**Table 23. Current consumption in Run mode vs code type, code with data processing running from Flash**

| Symbol                              | Parameter  | Conditions   |  | f <sub>HCLK</sub>      | Typ   | Unit |    |
|-------------------------------------|--|--|--|------------------------|-------|------|----|
| I <sub>DD</sub><br>(Run from Flash) | Supply current in Run mode, code executed from Flash | f <sub>HSE</sub> = f <sub>HCLK</sub> up to 16 MHz included, f <sub>HSE</sub> = f <sub>HCLK</sub> /2 above 16 MHz (PLL ON) <sup>(1)</sup> | Range 3, V <sub>CORE</sub> =1.2 V, VOS[1:0]=11 | Dhystone               | 4 MHz | 460  | μA |
|                                     |  |  |  | CoreMark               |       | 440  |    |
|                                     |  |  |  | Fibonacci              |       | 330  |    |
|                                     |  |  |  | while(1)               |       | 305  |    |
|                                     |  |  |  | while(1), prefetch OFF |       | 320  |    |
|                                     |  | Range 1, VOS[1:0]=01, V <sub>CORE</sub> =1.8 V   | Dhystone                                       | 32 MHz                 | 5.4   | mA   |    |
|                                     |  |  | CoreMark                                       |                        | 4.9   |      |    |
|                                     |  |  | Fibonacci                                      |                        | 5     |      |    |
|                                     |  |  | while(1)                                       |                        | 4.35  |      |    |
|                                     |  |  | while(1), prefetch OFF                         |                        | 3.7   |      |    |

1. Oscillator bypassed (HSEBYP = 1 in RCC\_CR register).



Figure 14.  $I_{DD}$  vs  $V_{DD}$ , at  $T_A = 25\text{ }^\circ\text{C}$ , Run mode, code running from Flash memory, Range 2, 16 MHz HSE, 1WS

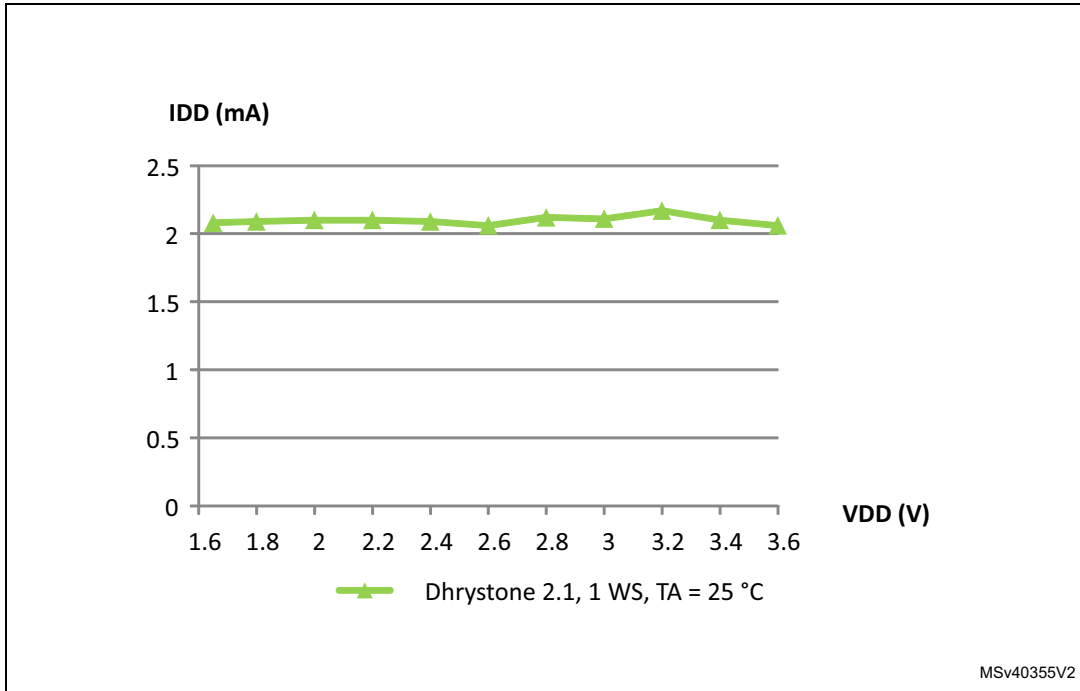
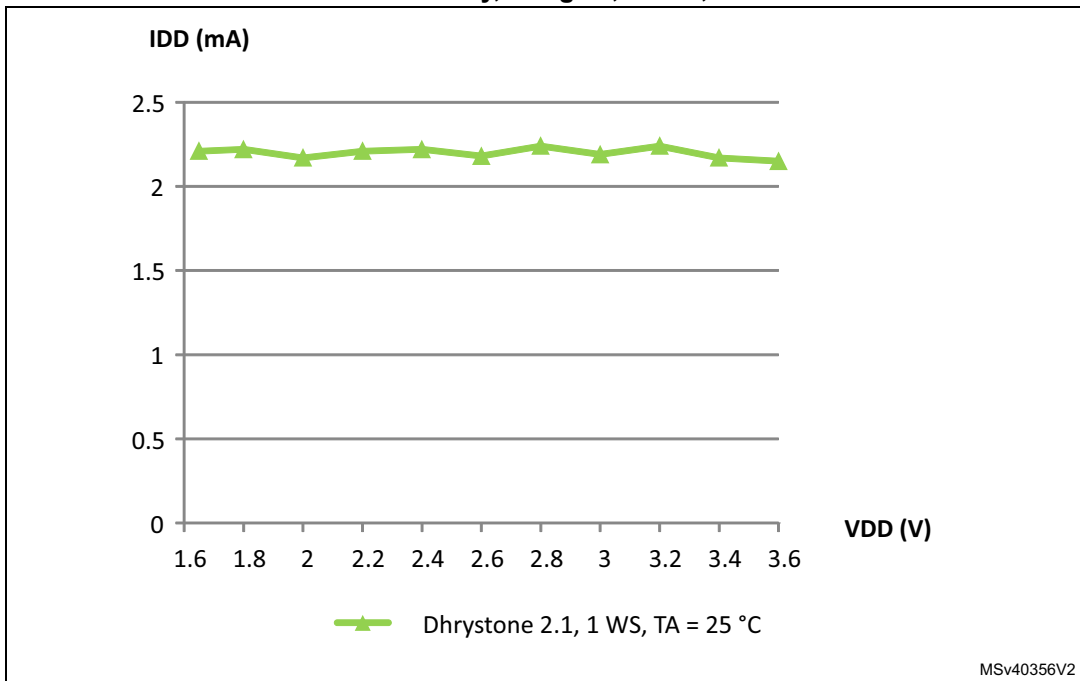


Figure 15.  $I_{DD}$  vs  $V_{DD}$ , at  $T_A = 25\text{ }^\circ\text{C}$ , Run mode, code running from Flash memory, Range 2, HSI16, 1WS



**Table 24. Current consumption in Run mode, code with data processing running from RAM**

| Symbol                         | Parameter  | Conditions  |  | f <sub>HCLK</sub> | Typ   | Max <sup>(1)</sup> | Unit |
|--------------------------------|--|---|--|-------------------|-------|--------------------|------|
| I <sub>DD</sub> (Run from RAM) | Supply current in Run mode, code executed from RAM, Flash switched OFF | f <sub>HSE</sub> = f <sub>HCLK</sub> up to 16 MHz, included<br>f <sub>HSE</sub> = f <sub>HCLK</sub> /2 above 16 MHz (PLL ON) <sup>(2)</sup> | Range 3,<br>V <sub>CORE</sub> =1.2 V,<br>VOS[1:0]=11 | 1 MHz             | 115   | 140                | μA   |
|                                |  |   |  | 2 MHz             | 205   | 240                |      |
|                                |  |   |  | 4 MHz             | 385   | 420                |      |
|                                |  |   | Range 2,<br>V <sub>CORE</sub> =1.5 V,<br>VOS[1:0]=10 | 4 MHz             | 0.48  | 0.55               | mA   |
|                                |  |   |  | 8 MHz             | 0.935 | 1.1                |      |
|                                |  |   |  | 16 MHz            | 1.8   | 2                  |      |
|                                |  | Range 1,<br>V <sub>CORE</sub> =1.8 V,<br>VOS[1:0]=01  | 8 MHz  | 1.1               | 1.4   | mA                 |      |
|                                |  |   | 16 MHz   | 2.1               | 2.5   |                    |      |
|                                |  |   | 32 MHz   | 4.5               | 4.9   |                    |      |
|                                |  | MSI clock   | Range 3,<br>V <sub>CORE</sub> =1.2 V,<br>VOS[1:0]=11 | 65 kHz            | 22    | 38                 | μA   |
|                                |  |   |  | 524 kHz           | 67    | 91                 |      |
|                                |  |   |  | 4.2 MHz           | 415   | 450                |      |
| HSI16 clock source (16 MHz)    | Range 2,<br>V <sub>CORE</sub> =1.5 V,<br>VOS[1:0]=10                   | 16 MHz  | 1.95   | 2.2               | mA    |                    |      |
|                                |  | Range 1,<br>V <sub>CORE</sub> =1.8 V,<br>VOS[1:0]=01  | 32 MHz   | 4.7               |       | 5.2                |      |

1. Guaranteed by characterization results at 125 °C, not tested in production, unless otherwise specified.
2. Oscillator bypassed (HSEBYP = 1 in RCC\_CR register).

**Table 25. Current consumption in Run mode vs code type, code with data processing running from RAM<sup>(1)</sup>**

| Symbol                         | Parameter  | Conditions   |  | f <sub>HCLK</sub> | Typ   | Unit |    |
|--------------------------------|--|--|--|-------------------|-------|------|----|
| I <sub>DD</sub> (Run from RAM) | Supply current in Run mode, code executed from RAM, Flash switched OFF | f <sub>HSE</sub> = f <sub>HCLK</sub> up to 16 MHz, included,<br>f <sub>HSE</sub> = f <sub>HCLK</sub> /2 above 16 MHz (PLL ON) <sup>(2)</sup> | Range 3,<br>V <sub>CORE</sub> =1.2 V,<br>VOS[1:0]=11 | Dhrystone         | 4 MHz | 385  | μA |
|                                |  |  |  | CoreMark          |       | _(3) |    |
|                                |  |  |  | Fibonacci         |       | 350  |    |
|                                |  |  |  | while(1)          |       | 340  |    |
|                                |  | Range 1,<br>V <sub>CORE</sub> =1.8 V,<br>VOS[1:0]=01   | Dhrystone  | 32 MHz            | 4.5   | mA   |    |
|                                |  |  | CoreMark   |                   | _(3)  |      |    |
|                                |  |  | Fibonacci  |                   | 4.2   |      |    |
|                                |  |  | while(1)   |                   | 3     |      |    |

1. Guaranteed by characterization results, not tested in production, unless otherwise specified.
2. Oscillator bypassed (HSEBYP = 1 in RCC\_CR register).
3. CoreMark code is unable to run from RAM since the RAM size is only 2 Kbytes.



Table 26. Current consumption in Sleep mode

| Symbol                      | Parameter                                      | Conditions   | f <sub>HCLK</sub>                              | Typ     | Max <sup>(1)</sup> | Unit |    |
|-----------------------------|--|--|--|---------|--------------------|------|----|
| I <sub>DD</sub> (Sleep)     | Supply current in Sleep mode, Flash OFF        | f <sub>HSE</sub> = f <sub>HCLK</sub> up to 16 MHz included, f <sub>HSE</sub> = f <sub>HCLK</sub> /2 above 16 MHz (PLL ON) <sup>(2)</sup> | Range 3, V <sub>CORE</sub> =1.2 V, VOS[1:0]=11 | 1 MHz   | 36.5               | 70   | μA |
|                             |  |  |  | 2 MHz   | 58                 | 95   |    |
|                             |  |  |  | 4 MHz   | 100                | 150  |    |
|                             |  |  | Range 2, V <sub>CORE</sub> =1.5 V, VOS[1:0]=10 | 4 MHz   | 125                | 170  |    |
|                             |  |  |  | 8 MHz   | 230                | 300  |    |
|                             |  |  |  | 16 MHz  | 450                | 540  |    |
|                             |  | Range 1, V <sub>CORE</sub> =1.8 V, VOS[1:0]=01   | 8 MHz  | 275     | 350                |      |    |
|                             |  |  | 16 MHz   | 555     | 650                |      |    |
|                             |  |  | 32 MHz   | 1350    | 1600               |      |    |
|                             |  | MSI clock  | Range 3, V <sub>CORE</sub> =1.2 V, VOS[1:0]=11 | 65 kHz  | 15.5               | 32   |    |
|                             |  |  |  | 524 kHz | 26.5               | 55   |    |
|                             |  |  |  | 4.2 MHz | 115                | 160  |    |
|                             | HSI16 clock source (16 MHz)                    | Range 2, V <sub>CORE</sub> =1.5 V, VOS[1:0]=10   | 16 MHz   | 585     | 670                |      |    |
|                             |  | Range 1, V <sub>CORE</sub> =1.8 V, VOS[1:0]=01   | 32 MHz   | 1500    | 1700               |      |    |
|                             | Supply current in Sleep mode, Flash ON         | f <sub>HSE</sub> = f <sub>HCLK</sub> up to 16 MHz included, f <sub>HSE</sub> = f <sub>HCLK</sub> /2 above 16 MHz (PLL ON) <sup>(2)</sup> | Range 3, V <sub>CORE</sub> =1.2 V, VOS[1:0]=11 | 1 MHz   | 49                 | 88   |    |
|                             |  |  |  | 2 MHz   | 69                 | 120  |    |
|                             |  |  |  | 4 MHz   | 115                | 190  |    |
|                             |  |  | Range 2, V <sub>CORE</sub> =1.5 V, VOS[1:0]=10 | 4 MHz   | 135                | 200  |    |
|                             |  |  |  | 8 MHz   | 240                | 340  |    |
|                             |  |  |  | 16 MHz  | 460                | 650  |    |
|                             |  | Range 1, V <sub>CORE</sub> =1.8 V, VOS[1:0]=01   | 8 MHz  | 290     | 400                |      |    |
|                             |  |  | 16 MHz   | 565     | 750                |      |    |
|                             |  |  | 32 MHz   | 1350    | 1900               |      |    |
|                             |  | MSI clock  | Range 3, V <sub>CORE</sub> =1.2 V, VOS[1:0]=11 | 65 kHz  | 26.5               | 46   |    |
| 524 kHz                     |  |  |  | 38.5    | 70                 |      |    |
| 4.2 MHz                     |  |  |  | 125     | 190                |      |    |
| HSI16 clock source (16 MHz) | Range 2, V <sub>CORE</sub> =1.5 V, VOS[1:0]=10 | 16 MHz   | 600  | 760     |                    |      |    |
|                             | Range 1, V <sub>CORE</sub> =1.8 V, VOS[1:0]=01 | 32 MHz   | 1500   | 1850    |                    |      |    |

1. Guaranteed by characterization results at 125 °C, not tested in production, unless otherwise specified.

2. Oscillator bypassed (HSEBYP = 1 in RCC\_CR register).





Table 27. Current consumption in Low-power Run mode

| Symbol                      | Parameter                            | Conditions  |   | Typ                              | Max <sup>(1)</sup> | Unit |    |
|-----------------------------|--------------------------------------|---|---|----------------------------------|--------------------|------|----|
| I <sub>DD</sub><br>(LP Run) | Supply current in Low-power run mode | All peripherals OFF, code executed from RAM, Flash switched OFF, V <sub>DD</sub> from 1.65 V to 3.6 V | MSI clock, 65 kHz<br>f <sub>HCLK</sub> = 32 kHz   | T <sub>A</sub> = -40 °C to 25 °C | 5.7                | 8.1  | μA |
|                             |                                      |   |   | T <sub>A</sub> = 85 °C           | 6.5                | 9    |    |
|                             |                                      |   |   | T <sub>A</sub> = 105 °C          | 8                  | 13   |    |
|                             |                                      |   |   | T <sub>A</sub> = 125 °C          | 11.5               | 22   |    |
|                             |                                      |   | MSI clock, 65 kHz<br>f <sub>HCLK</sub> = 65 kHz   | T <sub>A</sub> = -40 °C to 25 °C | 8.7                | 11   |    |
|                             |                                      |   |   | T <sub>A</sub> = 85 °C           | 9.5                | 12   |    |
|                             |                                      |   |   | T <sub>A</sub> = 105 °C          | 11                 | 15   |    |
|                             |                                      |   |   | T <sub>A</sub> = 125 °C          | 15                 | 24   |    |
|                             |                                      |   | MSI clock, 131 kHz<br>f <sub>HCLK</sub> = 131 kHz | T <sub>A</sub> = -40 °C to 25 °C | 17                 | 19   |    |
|                             |                                      |   |   | T <sub>A</sub> = 55 °C           | 17                 | 19.5 |    |
|                             |                                      |   |   | T <sub>A</sub> = 85 °C           | 17.5               | 20   |    |
|                             |                                      |   |   | T <sub>A</sub> = 105 °C          | 19                 | 22   |    |
|                             |                                      | All peripherals OFF, code executed from Flash, V <sub>DD</sub> from 1.65 V to 3.6 V                   | MSI clock, 65 kHz<br>f <sub>HCLK</sub> = 32 kHz   | T <sub>A</sub> = -40 °C to 25 °C | 18                 | 22   |    |
|                             |                                      |   |   | T <sub>A</sub> = 85 °C           | 20                 | 24   |    |
|                             |                                      |   |   | T <sub>A</sub> = 105 °C          | 22                 | 27   |    |
|                             |                                      |   |   | T <sub>A</sub> = 125 °C          | 26.5               | 37   |    |
|                             |                                      |   | MSI clock, 65 kHz<br>f <sub>HCLK</sub> = 65 kHz   | T <sub>A</sub> = -40 °C to 25 °C | 22                 | 25   |    |
|                             |                                      |   |   | T <sub>A</sub> = 85 °C           | 24                 | 27   |    |
|                             |                                      |   |   | T <sub>A</sub> = 105 °C          | 26                 | 30   |    |
|                             |                                      |   |   | T <sub>A</sub> = 125 °C          | 30.5               | 39   |    |
|                             |                                      |   | MSI clock, 131 kHz<br>f <sub>HCLK</sub> = 131 kHz | T <sub>A</sub> = -40 °C to 25 °C | 32                 | 34   |    |
|                             |                                      |   |   | T <sub>A</sub> = 55 °C           | 32.5               | 35   |    |
|                             |                                      |   |   | T <sub>A</sub> = 85 °C           | 34                 | 37   |    |
|                             |                                      |   |   | T <sub>A</sub> = 105 °C          | 36                 | 39   |    |
|                             | T <sub>A</sub> = 125 °C              | 40  | 47  |                                  |                    |      |    |

1. Guaranteed by characterization results at 125 °C, not tested in production, unless otherwise specified.

Figure 16.  $I_{DD}$  vs  $V_{DD}$ , at  $T_A = -40/25/55/ 85/105/125$  °C, Low-power run mode, code running from RAM, Range 3, MSI (Range 0) at 64 KHz, 0 WS



Table 28. Current consumption in Low-power Sleep mode

| Symbol                 | Parameter                              | Conditions   |   | Typ                     | Max <sup>(1)</sup> | Unit |         |
|------------------------|--|--|---|-------------------------|--------------------|------|---------|
| $I_{DD}$<br>(LP Sleep) | Supply current in Low-power sleep mode | All peripherals OFF, $V_{DD}$ from 1.65 V to 3.6 V | MSI clock, 65 kHz<br>$f_{HCLK} = 32$ kHz<br>Flash OFF   | $T_A = -40$ °C to 25 °C | 2.5 <sup>(2)</sup> | -    | $\mu A$ |
|                        |  |  | MSI clock, 65 kHz<br>$f_{HCLK} = 32$ kHz<br>Flash ON    | $T_A = -40$ °C to 25 °C | 13                 | 19   |         |
|                        |  |  |   | $T_A = 85$ °C           | 15.5               | 20   |         |
|                        |  |  |   | $T_A = 105$ °C          | 17.5               | 22   |         |
|                        |  |  |   | $T_A = 125$ °C          | 21                 | 29   |         |
|                        |  |  | MSI clock, 65 kHz<br>$f_{HCLK} = 65$ kHz,<br>Flash ON   | $T_A = -40$ °C to 25 °C | 13.5               | 19   |         |
|                        |  |  |   | $T_A = 85$ °C           | 16                 | 20   |         |
|                        |  |  |   | $T_A = 105$ °C          | 18                 | 22   |         |
|                        |  |  |   | $T_A = 125$ °C          | 21.5               | 29   |         |
|                        |  |  | MSI clock, 131 kHz<br>$f_{HCLK} = 131$ kHz,<br>Flash ON | $T_A = -40$ °C to 25 °C | 15.5               | 21   |         |
|                        |  |  |   | $T_A = 55$ °C           | 17                 | 22   |         |
|                        |  |  |   | $T_A = 85$ °C           | 18                 | 23   |         |
| $T_A = 105$ °C         | 19.5                                   | 24   |   |                         |                    |      |         |
| $T_A = 125$ °C         | 23.5                                   | 31   |   |                         |                    |      |         |

- Guaranteed by characterization results at 125 °C, not tested in production, unless otherwise specified.
- As the CPU is in Sleep mode, the difference between the current consumption with Flash memory ON and OFF (nearly 12  $\mu A$ ) is the same whatever the clock frequency.



**Table 29. Typical and maximum current consumptions in Stop mode**

| Symbol                 | Parameter                   | Conditions                     | Typ  | Max <sup>(1)</sup> | Unit |
|------------------------|-----------------------------|--------------------------------|------|--------------------|------|
| I <sub>DD</sub> (Stop) | Supply current in Stop mode | T <sub>A</sub> = -40°C to 25°C | 0.34 | 0.99               | µA   |
|                        |                             | T <sub>A</sub> = 55°C          | 0.43 | 1.9                |      |
|                        |                             | T <sub>A</sub> = 85°C          | 0.94 | 4.2                |      |
|                        |                             | T <sub>A</sub> = 105°C         | 2.0  | 9                  |      |
|                        |                             | T <sub>A</sub> = 125°C         | 4.9  | 19                 |      |

1. Guaranteed by characterization results at 125 °C, not tested in production, unless otherwise specified.

**Figure 17. I<sub>DD</sub> vs V<sub>DD</sub>, at T<sub>A</sub>= -40/25/55/ 85/105/125 °C, Stop mode with RTC enabled and running on LSE Low drive**



**Figure 18. I<sub>DD</sub> vs V<sub>DD</sub>, at T<sub>A</sub>= -40/25/55/85/105/125 °C, Stop mode with RTC disabled, all clocks OFF**



**Table 30. Typical and maximum current consumptions in Standby mode**

| Symbol                       | Parameter                      | Conditions                           |                                  | Typ  | Max <sup>(1)</sup> | Unit |
|------------------------------|--------------------------------|--------------------------------------|----------------------------------|------|--------------------|------|
| I <sub>DD</sub><br>(Standby) | Supply current in Standby mode | Independent watchdog and LSI enabled | T <sub>A</sub> = -40 °C to 25 °C | 0.8  | 1.6                | μA   |
|                              |                                |                                      | T <sub>A</sub> = 55 °C           | 0.9  | 1.8                |      |
|                              |                                |                                      | T <sub>A</sub> = 85 °C           | 1    | 2                  |      |
|                              |                                |                                      | T <sub>A</sub> = 105 °C          | 1.25 | 3                  |      |
|                              |                                |                                      | T <sub>A</sub> = 125 °C          | 2    | 7                  |      |
|                              |                                | Independent watchdog and LSI OFF     | T <sub>A</sub> = -40 °C to 25 °C | 0.23 | 0.6                |      |
|                              |                                |                                      | T <sub>A</sub> = 55 °C           | 0.25 | 0.7                |      |
|                              |                                |                                      | T <sub>A</sub> = 85 °C           | 0.36 | 1                  |      |
|                              |                                |                                      | T <sub>A</sub> = 105 °C          | 0.62 | 1.7                |      |
|                              |                                |                                      | T <sub>A</sub> = 125 °C          | 1.35 | 5                  |      |

1. Guaranteed by characterization results at 125 °C, not tested in production, unless otherwise specified

**Table 31. Average current consumption during wakeup**

| Symbol                            | parameter                                   | System frequency | Current consumption during wakeup | Unit |
|-----------------------------------|---|------------------|-----------------------------------|------|
| I <sub>DD</sub> (WU from Stop)    | Supply current during wakeup from Stop mode | HSI              | 1                                 | mA   |
|                                   |   | HSI/4            | 0,7                               |      |
|                                   |   | MSI 4,2 MHz      | 0,7                               |      |
|                                   |   | MSI 1,05 MHz     | 0,4                               |      |
|                                   |   | MSI 65 KHz       | 0,1                               |      |
| I <sub>DD</sub> (Reset)           | Reset pin pulled down                       | -                | 0,21                              |      |
| I <sub>DD</sub> (Power Up)        | BOR ON                                      | -                | 0,23                              |      |
| I <sub>DD</sub> (WU from StandBy) | With Fast wakeup set                        | MSI 2,1 MHz      | 0,5                               |      |
|                                   | With Fast wakeup disabled                   | MSI 2,1 MHz      | 0,12                              |      |

**On-chip peripheral current consumption**

The current consumption of the on-chip peripherals is given in the following tables. The MCU is placed under the following conditions:

- all I/O pins are in input mode with a static value at V<sub>DD</sub> or V<sub>SS</sub> (no load)
- all peripherals are disabled unless otherwise mentioned
- the given value is calculated by measuring the current consumption
  - with all peripherals clocked OFF
  - with only one peripheral clocked ON



Table 32. Peripheral current consumption in run or Sleep mode<sup>(1)</sup>

| Peripheral                      |                      | Typical consumption, V <sub>DD</sub> = 3.0 V, T <sub>A</sub> = 25 °C |   |   |                               | Unit                           |
|---------------------------------|----------------------|--|---|---|-------------------------------|--------------------------------|
|                                 |                      | Range 1,<br>V <sub>CORE</sub> =1.8 V<br>VOS[1:0] = 01                | Range 2,<br>V <sub>CORE</sub> =1.5 V<br>VOS[1:0] = 10 | Range 3,<br>V <sub>CORE</sub> =1.2 V<br>VOS[1:0] = 11 | Low-power<br>sleep and<br>run |                                |
| APB1                            | WWDG                 | 2.5  | 2   | 1.6   | 2                             | μA/MHz<br>(f <sub>HCLK</sub> ) |
|                                 | LPUART1              | 8.3  | 7.2   | 5.4   | 7.2                           |                                |
|                                 | I2C1                 | 11   | 8.2   | 6.8   | 8.9                           |                                |
|                                 | LPTIM1               | 14   | 11  | 8.7   | 11                            |                                |
|                                 | TIM2                 | 10.5   | 8.5   | 6.4   | 8.5                           |                                |
|                                 | USART2               | 8.5  | 6.8   | 5.4   | 7.1                           |                                |
| APB2                            | ADC1 <sup>(2)</sup>  | 5.0  | 3.9   | 3.3   | 4                             | μA/MHz<br>(f <sub>HCLK</sub> ) |
|                                 | SPI1                 | 4.5  | 3.5   | 2.9   | 3.6                           |                                |
|                                 | TIM21                | 6.8  | 6.1   | 4.5   | 5.6                           |                                |
|                                 | DBGMCU               | 1.7  | 1.7   | 1.1   | 1.4                           |                                |
|                                 | SYSCFG/<br>COMP      | 2.5  | 2.4   | 1.6   | 2.3                           |                                |
| Cortex-<br>M0+ core<br>I/O port | GPIOA                | 7.6  | 6.3   | 4.9   | 6.5                           | μA/MHz<br>(f <sub>HCLK</sub> ) |
|                                 | GPIOB                | 5.1  | 4.1   | 3.2   | 4                             |                                |
|                                 | GPIOC                | 1.1  | 0.7   | 0.6   | 0.8                           |                                |
| AHB                             | CRC                  | 1.5  | 1.1   | 1   | 1.2                           | μA/MHz<br>(f <sub>HCLK</sub> ) |
|                                 | FLASH <sup>(3)</sup> | 10   | 8.5   | 7   | 8.5                           |                                |
|                                 | DMA1                 | 5.3  | 4.2   | 3.5   | 4.8                           |                                |
| All enabled                     |                      | 96   | 80  | 62  | 88                            |                                |
| PWR                             |                      | 2.1  | 1.9   | 1.4   | 1.8                           | μA/MHz<br>(f <sub>HCLK</sub> ) |

1. Data based on differential I<sub>DD</sub> measurement between all peripherals OFF and one peripheral with clock enabled, in the following conditions: f<sub>HCLK</sub> = 32 MHz (range 1), f<sub>HCLK</sub> = 16 MHz (range 2), f<sub>HCLK</sub> = 4 MHz (range 3), f<sub>HCLK</sub> = 64kHz (Low-power run/sleep), f<sub>APB1</sub> = f<sub>HCLK</sub>, f<sub>APB2</sub> = f<sub>HCLK</sub>, default prescaler value for each peripheral. The CPU is in Sleep mode in both cases. No I/O pins toggling. Not tested in production.
2. HSI oscillator is OFF for this measure.
3. These values correspond to the Flash memory dynamic current consumption. The Flash memory static consumption (Flash memory ON) equals 12 μA and does not depend on the frequency. The Flash memory consumption is already taken into account in all the supply current consumption tables (Flash memory ON cases).

**Table 33. Peripheral current consumption in Stop and Standby mode**

| Symbol                     | Peripheral           | Typical consumption, T <sub>A</sub> = 25 °C |                        | Unit |
|----------------------------|----------------------|---|------------------------|------|
|                            |                      | V <sub>DD</sub> =1.8 V                      | V <sub>DD</sub> =3.0 V |      |
| I <sub>DD(PVD / BOR)</sub> | -                    | 0.6   | 1                      | μA   |
| I <sub>REFINT</sub>        | -                    | 1.25  | 1.3                    |      |
| -                          | LSE Low drive        | 0.11  | 0.16                   |      |
| -                          | LPTIM1, Input 100 Hz | 0.01  | 0.02                   |      |
| -                          | LPTIM1, Input 1 MHz  | 8   | 9                      |      |
| -                          | LPUART1              | 0.025                                       | 0.027                  |      |
| -                          | RTC                  | 0.1   | 0.19                   |      |

**6.3.5 Wakeup time from low-power mode**

The wakeup times given in the following table are measured with the MSI or HSI16 RC oscillator. The clock source used to wake up the device depends on the current operating mode:

- Sleep mode: the clock source is the clock that was set before entering Sleep mode
- Stop mode: the clock source is either the MSI oscillator in the range configured before entering Stop mode, the HSI16 or HSI16/4.
- Standby mode: the clock source is the MSI oscillator running at 2.1 MHz

All timings are derived from tests performed under ambient temperature and V<sub>DD</sub> supply voltage conditions summarized in [Table 18](#).

**Table 34. Low-power mode wakeup timings**

| Symbol                  | Parameter   | Conditions  | Typ | Max | Unit       |
|-------------------------|---|---|-----|-----|------------|
| t <sub>WUSLEEP</sub>    | Wakeup from Sleep mode  | f <sub>HCLK</sub> = 32 MHz                        | 7   | 8   | CPU cycles |
| t <sub>WUSLEEP_LP</sub> | Wakeup from Low-power sleep mode, f <sub>HCLK</sub> = 262 kHz | f <sub>HCLK</sub> = 262 kHz<br>Flash enabled      | 7   | 8   |            |
|                         |   | f <sub>HCLK</sub> = 262 kHz<br>Flash switched OFF | 9   | 10  |            |



Table 34. Low-power mode wakeup timings (continued)

| Symbol  | Parameter  | Conditions  | Typ                                   | Max  | Unit          |
|---|--|---|---------------------------------------|------|---------------|
| $t_{WUSTOP}$  | Wakeup from Stop mode, regulator in Run mode       | $f_{HCLK} = f_{MSI} = 4.2 \text{ MHz}$  | 5.1                                   | 8    | $\mu\text{s}$ |
|   |  | $f_{HCLK} = f_{HSI} = 16 \text{ MHz}$   | 5.1                                   | 7    |               |
|   |  | $f_{HCLK} = f_{HSI}/4 = 4 \text{ MHz}$  | 8.1                                   | 11   |               |
|   | Wakeup from Stop mode, regulator in low-power mode | $f_{HCLK} = f_{MSI} = 4.2 \text{ MHz}$<br>Voltage range 1                         | 5                                     | 8    |               |
|   |  | $f_{HCLK} = f_{MSI} = 4.2 \text{ MHz}$<br>Voltage range 2                         | 5                                     | 8    |               |
|   |  | $f_{HCLK} = f_{MSI} = 4.2 \text{ MHz}$<br>Voltage range 3                         | 5                                     | 8    |               |
|   |  | $f_{HCLK} = f_{MSI} = 2.1 \text{ MHz}$  | 7.4                                   | 13   |               |
|   |  | $f_{HCLK} = f_{MSI} = 1.05 \text{ MHz}$   | 14                                    | 23   |               |
|   |  | $f_{HCLK} = f_{MSI} = 524 \text{ kHz}$  | 28                                    | 38   |               |
|   |  | $f_{HCLK} = f_{MSI} = 262 \text{ kHz}$  | 51                                    | 65   |               |
|   |  | $f_{HCLK} = f_{MSI} = 131 \text{ kHz}$  | 99                                    | 120  |               |
|   |  | $f_{HCLK} = f_{MSI} = 65 \text{ kHz}$   | 196                                   | 260  |               |
|   |  | $f_{HCLK} = f_{HSI} = 16 \text{ MHz}$   | 5.1                                   | 7    |               |
|   |  | $f_{HCLK} = f_{HSI}/4 = 4 \text{ MHz}$  | 8.2                                   | 11   |               |
|   |  | Wakeup from Stop mode, regulator in low-power mode, HSI kept running in Stop mode | $f_{HCLK} = f_{HSI} = 16 \text{ MHz}$ | 3.25 |               |
| Wakeup from Stop mode, regulator in low-power mode, code running from RAM | $f_{HCLK} = f_{HSI} = 16 \text{ MHz}$              | 4.9   | 7                                     |      |               |
|   | $f_{HCLK} = f_{HSI}/4 = 4 \text{ MHz}$             | 7.9   | 10                                    |      |               |
|   | $f_{HCLK} = f_{MSI} = 4.2 \text{ MHz}$             | 4.8   | 8                                     |      |               |
| $t_{WUSTDBY}$   | Wakeup from Standby mode<br>FWU bit = 1            | $f_{HCLK} = f_{MSI} = 2.1 \text{ MHz}$  | 65                                    | 130  | ms            |
|   | Wakeup from Standby mode<br>FWU bit = 0            | $f_{HCLK} = f_{MSI} = 2.1 \text{ MHz}$  | 2.2                                   | 3    |               |

### 6.3.6 External clock source characteristics

#### High-speed external user clock generated from an external source

In bypass mode the input pin is a standard GPIO. The external clock signal has to respect the I/O characteristics in [Section 6.3.12](#). However, the recommended clock input waveform is shown in [Figure 19](#).

**Table 35. High-speed external user clock characteristics<sup>(1)</sup>**

| Symbol                       | Parameter                            | Conditions               | Min                              | Typ | Max         | Unit    |         |
|------------------------------|--------------------------------------|--------------------------|----------------------------------|-----|-------------|---------|---------|
| $f_{HSE\_ext}$               | User external clock source frequency | CSS is ON or PLL is used | 1                                | 8   | 32          | MHz     |         |
|                              |                                      | CSS is OFF, PLL not used | 0                                | 8   | 32          | MHz     |         |
| $V_{HSEH}$                   | CK_IN input pin high level voltage   | -                        | $0.7V_{DD}$                      | -   | $V_{DD}$    | V       |         |
| $V_{HSEL}$                   | CK_IN input pin low level voltage    |                          | $V_{SS}$                         | -   | $0.3V_{DD}$ |         |         |
| $t_{w(HSE)}$<br>$t_{w(HSE)}$ | CK_IN high or low time               |                          | 12                               | -   | -           | ns      |         |
| $t_r(HSE)$<br>$t_f(HSE)$     | CK_IN rise or fall time              |                          | -                                | -   | 20          |         |         |
| $C_{in(HSE)}$                | CK_IN input capacitance              |                          | -                                | 2.6 | -           |         | pF      |
| $DuCy_{(HSE)}$               | Duty cycle                           |                          |                                  | 45  | -           | 55      | %       |
| $I_L$                        | CK_IN Input leakage current          |                          | $V_{SS} \leq V_{IN} \leq V_{DD}$ | -   | -           | $\pm 1$ | $\mu A$ |

1. Guaranteed by design, not tested in production.

**Figure 19. High-speed external clock source AC timing diagram**



MSv37877V1



**Low-speed external user clock generated from an external source**

The characteristics given in the following table result from tests performed using a low-speed external clock source, and under ambient temperature and supply voltage conditions summarized in [Table 18](#).

**Table 36. Low-speed external user clock characteristics<sup>(1)</sup>**

| Symbol                       | Parameter                             | Conditions                       | Min         | Typ    | Max         | Unit    |
|------------------------------|---------------------------------------|----------------------------------|-------------|--------|-------------|---------|
| $f_{LSE\_ext}$               | User external clock source frequency  | -                                | -           | 32.768 | 1000        | kHz     |
| $V_{LSEH}$                   | OSC32_IN input pin high level voltage | -                                | $0.7V_{DD}$ | -      | $V_{DD}$    | V       |
| $V_{LSEL}$                   | OSC32_IN input pin low level voltage  | -                                | $V_{SS}$    | -      | $0.3V_{DD}$ |         |
| $t_{w(LSE)}$<br>$t_{w(LSE)}$ | OSC32_IN high or low time             | -                                | 465         | -      | -           | ns      |
| $t_{r(LSE)}$<br>$t_{f(LSE)}$ | OSC32_IN rise or fall time            | -                                | -           | -      | 10          |         |
| $C_{IN(LSE)}$                | OSC32_IN input capacitance            | -                                | -           | 0.6    | -           | pF      |
| $DuCy_{(LSE)}$               | Duty cycle                            | -                                | 45          | -      | 55          | %       |
| $I_L$                        | OSC32_IN Input leakage current        | $V_{SS} \leq V_{IN} \leq V_{DD}$ | -           | -      | $\pm 1$     | $\mu A$ |

1. Guaranteed by design, not tested in production

**Figure 20. Low-speed external clock source AC timing diagram**



**Low-speed external clock generated from a crystal/ceramic resonator**

The low-speed external (LSE) clock can be supplied with a 32.768 kHz crystal/ceramic resonator oscillator. All the information given in this paragraph are based on characterization results obtained with typical external components specified in [Table 37](#). In the application, the resonator and the load capacitors have to be placed as close as possible to the oscillator pins in order to minimize output distortion and startup stabilization

time. Refer to the crystal resonator manufacturer for more details on the resonator characteristics (frequency, package, accuracy).

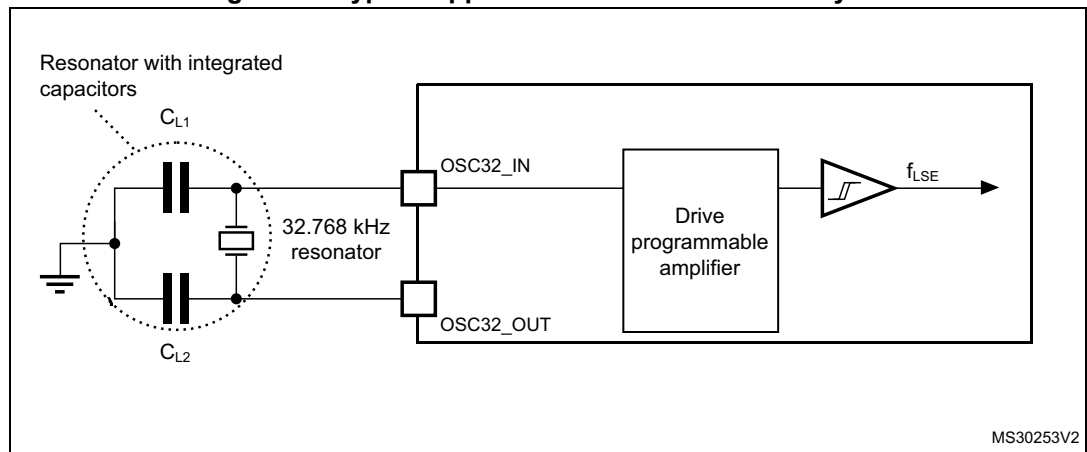
**Table 37. LSE oscillator characteristics<sup>(1)</sup>**

| Symbol                       | Parameter                                 | Conditions <sup>(2)</sup>                          | Min <sup>(2)</sup> | Typ    | Max  | Unit      |
|------------------------------|---|--|--------------------|--------|------|-----------|
| $f_{LSE}$                    | LSE oscillator frequency                  |  | -                  | 32.768 | -    | kHz       |
| $G_m$                        | Maximum critical crystal transconductance | LSEDRV[1:0]=00<br>lower driving capability         | -                  | -      | 0.5  | $\mu A/V$ |
|                              |   | LSEDRV[1:0]= 01<br>medium low driving capability   | -                  | -      | 0.75 |           |
|                              |   | LSEDRV[1:0] = 10<br>medium high driving capability | -                  | -      | 1.7  |           |
|                              |   | LSEDRV[1:0]=11<br>higher driving capability        | -                  | -      | 2.7  |           |
| $t_{SU(LSE)}$ <sup>(3)</sup> | Startup time                              | $V_{DD}$ is stabilized                             | -                  | 2      | -    | s         |

1. Guaranteed by design, not tested in production.
2. Refer to the note and caution paragraphs below the table, and to the application note AN2867 "Oscillator design guide for ST microcontrollers".
3. Guaranteed by characterization results, not tested in production.  $t_{SU(LSE)}$  is the startup time measured from the moment it is enabled (by software) to a stabilized 32.768 kHz oscillation is reached. This value is measured for a standard crystal resonator and it can vary significantly with the crystal manufacturer. To increase speed, address a lower-drive quartz with a high- driver mode.

**Note:** For information on selecting the crystal, refer to the application note AN2867 "Oscillator design guide for ST microcontrollers" available from the ST website <http://www.st.com>.

**Figure 21. Typical application with a 32.768 kHz crystal**



**Note:** An external resistor is not required between  $OSC32\_IN$  and  $OSC32\_OUT$  and it is forbidden to add one.

### 6.3.7 Internal clock source characteristics

The parameters given in [Table 38](#) are derived from tests performed under ambient temperature and  $V_{DD}$  supply voltage conditions summarized in [Table 18](#).

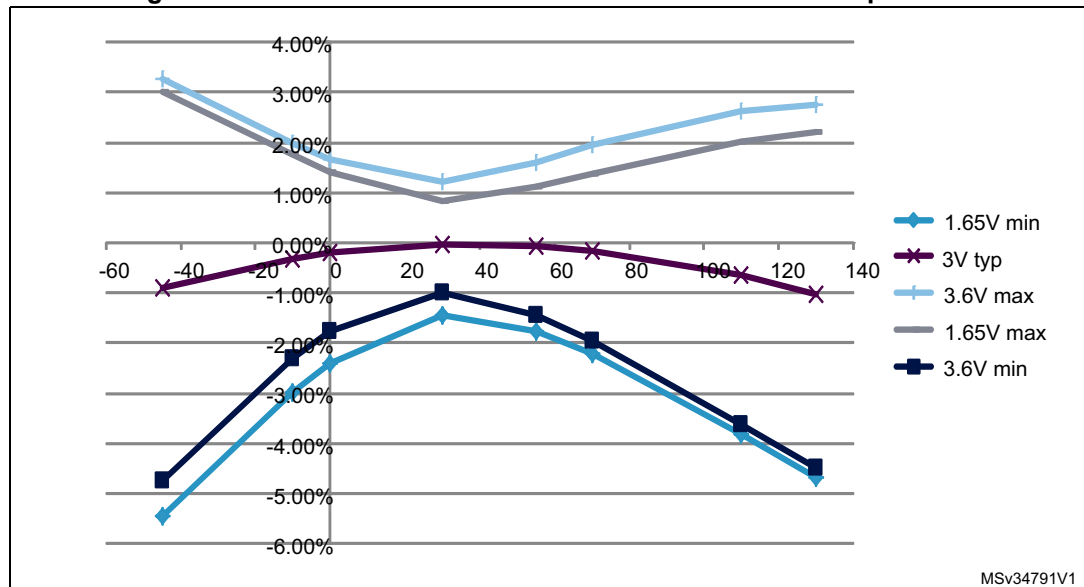
#### High-speed internal 16 MHz (HSI16) RC oscillator

**Table 38. 16 MHz HSI16 oscillator characteristics**

| Symbol                | Parameter   | Conditions   | Min               | Typ       | Max              | Unit          |
|-----------------------|---|--|-------------------|-----------|------------------|---------------|
| $f_{HSI16}$           | Frequency   | $V_{DD} = 3.0\text{ V}$  | -                 | 16        | -                | MHz           |
| $TRIM^{(1)(2)}$       | HSI16 user-trimmed resolution                       | Trimming code is not a multiple of 16  | -                 | $\pm 0.4$ | 0.7              | %             |
|                       |   | Trimming code is a multiple of 16  | -                 | -         | $\pm 1.5$        | %             |
| $ACC_{HSI16}^{(2)}$   | Accuracy of the factory-calibrated HSI16 oscillator | $V_{DDA} = 3.0\text{ V}, T_A = 25\text{ }^\circ\text{C}$                                 | -1 <sup>(3)</sup> | -         | 1 <sup>(3)</sup> | %             |
|                       |   | $V_{DDA} = 3.0\text{ V}, T_A = 0\text{ to }55\text{ }^\circ\text{C}$                     | -1.5              | -         | 1.5              | %             |
|                       |   | $V_{DDA} = 3.0\text{ V}, T_A = -10\text{ to }70\text{ }^\circ\text{C}$                   | -2                | -         | 2                | %             |
|                       |   | $V_{DDA} = 3.0\text{ V}, T_A = -10\text{ to }85\text{ }^\circ\text{C}$                   | -2.5              | -         | 2                | %             |
|                       |   | $V_{DDA} = 3.0\text{ V}, T_A = -10\text{ to }105\text{ }^\circ\text{C}$                  | -4                | -         | 2                | %             |
|                       |   | $V_{DDA} = 1.65\text{ V to }3.6\text{ V}, T_A = -40\text{ to }125\text{ }^\circ\text{C}$ | -5.45             | -         | 3.25             | %             |
| $t_{SU(HSI16)}^{(2)}$ | HSI16 oscillator startup time                       | -  | -                 | 3.7       | 6                | $\mu\text{s}$ |
| $I_{DD(HSI16)}^{(2)}$ | HSI16 oscillator power consumption                  | -  | -                 | 100       | 140              | $\mu\text{A}$ |

1. The trimming step differs depending on the trimming code. It is usually negative on the codes which are multiples of 16 (0x00, 0x10, 0x20, 0x30...0xE0).
2. Guaranteed by characterization results, not tested in production.
3. Guaranteed by test in production.

**Figure 22. HSI16 minimum and maximum value versus temperature**



**Low-speed internal (LSI) RC oscillator**

**Table 39. LSI oscillator characteristics**

| Symbol                | Parameter  | Min | Typ | Max | Unit    |
|-----------------------|--|-----|-----|-----|---------|
| $f_{LSI}^{(1)}$       | LSI frequency  | 26  | 38  | 56  | kHz     |
| $D_{LSI}^{(2)}$       | LSI oscillator frequency drift<br>$0^{\circ}C \leq T_A \leq 85^{\circ}C$ | -10 | -   | 4   | %       |
| $t_{su( LSI )}^{(3)}$ | LSI oscillator startup time  | -   | -   | 200 | $\mu s$ |
| $I_{DD( LSI )}^{(3)}$ | LSI oscillator power consumption   | -   | 400 | 510 | nA      |

1. Guaranteed by test in production.
2. This is a deviation for an individual part, once the initial frequency has been measured.
3. Guaranteed by design, not tested in production.

**Multi-speed internal (MSI) RC oscillator**

**Table 40. MSI oscillator characteristics**

| Symbol                  | Parameter   | Condition   | Typ       | Max | Unit    |
|-------------------------|---|-------------|-----------|-----|---------|
| $f_{MSI}$               | Frequency after factory calibration, done at $V_{DD} = 3.3 V$ and $T_A = 25^{\circ}C$ | MSI range 0 | 65.5      | -   | kHz     |
|                         |   | MSI range 1 | 131       | -   |         |
|                         |   | MSI range 2 | 262       | -   |         |
|                         |   | MSI range 3 | 524       | -   | MHz     |
|                         |   | MSI range 4 | 1.05      | -   |         |
|                         |   | MSI range 5 | 2.1       | -   |         |
|                         |   | MSI range 6 | 4.2       | -   |         |
| $ACC_{MSI}$             | Frequency error after factory calibration   | -           | $\pm 0.5$ | -   | %       |
| $D_{TEMP( MSI )}^{(1)}$ | MSI oscillator frequency drift<br>$0^{\circ}C \leq T_A \leq 85^{\circ}C$              | -           | $\pm 3$   | -   | %       |
| $D_{VOLT( MSI )}^{(1)}$ | MSI oscillator frequency drift<br>$1.65 V \leq V_{DD} \leq 3.6 V, T_A = 25^{\circ}C$  | -           | -         | 2.5 | %/V     |
| $I_{DD( MSI )}^{(2)}$   | MSI oscillator power consumption  | MSI range 0 | 0.75      | -   | $\mu A$ |
|                         |   | MSI range 1 | 1         | -   |         |
|                         |   | MSI range 2 | 1.5       | -   |         |
|                         |   | MSI range 3 | 2.5       | -   |         |
|                         |   | MSI range 4 | 4.5       | -   |         |
|                         |   | MSI range 5 | 8         | -   |         |
|                         |   | MSI range 6 | 15        | -   |         |



**Table 40. MSI oscillator characteristics (continued)**

| Symbol                | Parameter                          | Condition                          | Typ | Max | Unit    |
|-----------------------|------------------------------------|------------------------------------|-----|-----|---------|
| $t_{SU(MSI)}$         | MSI oscillator startup time        | MSI range 0                        | 30  | -   | $\mu s$ |
|                       |                                    | MSI range 1                        | 20  | -   |         |
|                       |                                    | MSI range 2                        | 15  | -   |         |
|                       |                                    | MSI range 3                        | 10  | -   |         |
|                       |                                    | MSI range 4                        | 6   | -   |         |
|                       |                                    | MSI range 5                        | 5   | -   |         |
|                       |                                    | MSI range 6, Voltage range 1 and 2 | 3.5 | -   |         |
|                       |                                    | MSI range 6, Voltage range 3       | 5   | -   |         |
| $t_{STAB(MSI)}^{(2)}$ | MSI oscillator stabilization time  | MSI range 0                        | -   | 40  | $\mu s$ |
|                       |                                    | MSI range 1                        | -   | 20  |         |
|                       |                                    | MSI range 2                        | -   | 10  |         |
|                       |                                    | MSI range 3                        | -   | 4   |         |
|                       |                                    | MSI range 4                        | -   | 2.5 |         |
|                       |                                    | MSI range 5                        | -   | 2   |         |
|                       |                                    | MSI range 6, Voltage range 1 and 2 | -   | 2   |         |
|                       |                                    | MSI range 3, Voltage range 3       | -   | 3   |         |
| $f_{OVER(MSI)}$       | MSI oscillator frequency overshoot | Any range to range 5               | -   | 4   | MHz     |
|                       |                                    | Any range to range 6               | -   | 6   |         |

1. This is a deviation for an individual part, once the initial frequency has been measured.
2. Guaranteed by characterization results, not tested in production.

### 6.3.8 PLL characteristics

The parameters given in [Table 41](#) are derived from tests performed under ambient temperature and  $V_{DD}$  supply voltage conditions summarized in [Table 18](#).

**Table 41. PLL characteristics**

| Symbol        | Parameter                      | Value |     |                    | Unit |
|---------------|--------------------------------|-------|-----|--------------------|------|
|               |                                | Min   | Typ | Max <sup>(1)</sup> |      |
| $f_{PLL\_IN}$ | PLL input clock <sup>(2)</sup> | 2     | -   | 24                 | MHz  |
|               | PLL input clock duty cycle     | 45    | -   | 55                 | %    |



**Table 41. PLL characteristics (continued)**

| Symbol                 | Parameter                               | Value |     |                    | Unit |
|------------------------|---|-------|-----|--------------------|------|
|                        |   | Min   | Typ | Max <sup>(1)</sup> |      |
| f <sub>PLL_OUT</sub>   | PLL output clock                        | 2     | -   | 32                 | MHz  |
| t <sub>LOCK</sub>      | PLL input = 16 MHz<br>PLL VCO = 96 MHz  | -     | 115 | 160                | µs   |
| Jitter                 | Cycle-to-cycle jitter                   | -     |     | ±600               | ps   |
| I <sub>DDA</sub> (PLL) | Current consumption on V <sub>DDA</sub> | -     | 220 | 450                | µA   |
| I <sub>DD</sub> (PLL)  | Current consumption on V <sub>DD</sub>  | -     | 120 | 150                |      |

1. Guaranteed by characterization results, not tested in production.
2. Take care of using the appropriate multiplier factors so as to have PLL input clock values compatible with the range defined by f<sub>PLL\_OUT</sub>.

### 6.3.9 Memory characteristics

#### RAM memory

**Table 42. RAM and hardware registers**

| Symbol | Parameter                          | Conditions           | Min  | Typ | Max | Unit |
|--------|------------------------------------|----------------------|------|-----|-----|------|
| VRM    | Data retention mode <sup>(1)</sup> | STOP mode (or RESET) | 1.65 | -   | -   | V    |

1. Minimum supply voltage without losing data stored in RAM (in Stop mode or under Reset) or in hardware registers (only in Stop mode).

Flash memory and data EEPROM

Table 43. Flash memory and data EEPROM characteristics

| Symbol            | Parameter  | Conditions                                      | Min  | Typ  | Max <sup>(1)</sup> | Unit |
|-------------------|--|---|------|------|--------------------|------|
| V <sub>DD</sub>   | Operating voltage<br>Read / Write / Erase                                      | -   | 1.65 | -    | 3.6                | V    |
| t <sub>prog</sub> | Programming time for<br>word or half-page                                      | Erasing   | -    | 3.28 | 3.94               | ms   |
|                   |  | Programming                                     | -    | 3.28 | 3.94               |      |
| I <sub>DD</sub>   | Average current during<br>the whole programming /<br>erase operation           | T <sub>A</sub> = 25 °C, V <sub>DD</sub> = 3.6 V | -    | 500  | 700                | µA   |
|                   | Maximum current (peak)<br>during the whole<br>programming / erase<br>operation |   | -    | 1.5  | 2.5                | mA   |

1. Guaranteed by design, not tested in production.

Table 44. Flash memory and data EEPROM endurance and retention

| Symbol                          | Parameter   | Conditions                       | Value              | Unit    |
|---------------------------------|---|----------------------------------|--------------------|---------|
|                                 |   |                                  | Min <sup>(1)</sup> |         |
| N <sub>CYC</sub> <sup>(2)</sup> | Cycling (erase / write)<br>Program memory   | T <sub>A</sub> = -40°C to 105 °C | 10                 | kcycles |
|                                 | Cycling (erase / write)<br>EEPROM data memory                                       |                                  | 100                |         |
|                                 | Cycling (erase / write)<br>Program memory   | T <sub>A</sub> = -40°C to 125 °C | 0.2                |         |
|                                 | Cycling (erase / write)<br>EEPROM data memory                                       |                                  | 2                  |         |
| t <sub>RET</sub> <sup>(2)</sup> | Data retention (program memory) after<br>10 kcycles at T <sub>A</sub> = 85 °C       | T <sub>RET</sub> = +85 °C        | 30                 | years   |
|                                 | Data retention (EEPROM data memory)<br>after 100 kcycles at T <sub>A</sub> = 85 °C  |                                  | 30                 |         |
|                                 | Data retention (program memory) after<br>10 kcycles at T <sub>A</sub> = 105 °C      | T <sub>RET</sub> = +105 °C       | 10                 |         |
|                                 | Data retention (EEPROM data memory)<br>after 100 kcycles at T <sub>A</sub> = 105 °C |                                  |                    |         |
|                                 | Data retention (program memory) after<br>200 cycles at T <sub>A</sub> = 125 °C      | T <sub>RET</sub> = +125 °C       | 10                 |         |
|                                 | Data retention (EEPROM data memory)<br>after 2 kcycles at T <sub>A</sub> = 125 °C   |                                  |                    |         |

1. Guaranteed by characterization results, not tested in production.

2. Characterization is done according to JEDEC JESD22-A117.



### 6.3.10 EMC characteristics

Susceptibility tests are performed on a sample basis during device characterization.

#### Functional EMS (electromagnetic susceptibility)

While a simple application is executed on the device (toggling 2 LEDs through I/O ports), the device is stressed by two electromagnetic events until a failure occurs. The failure is indicated by the LEDs:

- **Electrostatic discharge (ESD)** (positive and negative) is applied to all device pins until a functional disturbance occurs. This test is compliant with the IEC 61000-4-2 standard.
- **FTB: A Burst of Fast Transient voltage** (positive and negative) is applied to  $V_{DD}$  and  $V_{SS}$  through a 100 pF capacitor, until a functional disturbance occurs. This test is compliant with the IEC 61000-4-4 standard.

A device reset allows normal operations to be resumed.

The test results are given in [Table 45](#). They are based on the EMS levels and classes defined in application note AN1709.

**Table 45. EMS characteristics**

| Symbol     | Parameter   | Conditions   | Level/Class |
|------------|---|--|-------------|
| $V_{FESD}$ | Voltage limits to be applied on any I/O pin to induce a functional disturbance  | $V_{DD} = 3.3\text{ V}$ , LQFP32, $T_A = +25\text{ °C}$ ,<br>$f_{HCLK} = 32\text{ MHz}$<br>conforms to IEC 61000-4-2 | 3B          |
| $V_{EFTB}$ | Fast transient voltage burst limits to be applied through 100 pF on $V_{DD}$ and $V_{SS}$ pins to induce a functional disturbance | $V_{DD} = 3.3\text{ V}$ , LQFP32, $T_A = +25\text{ °C}$ ,<br>$f_{HCLK} = 32\text{ MHz}$<br>conforms to IEC 61000-4-4 | 4A          |

#### Designing hardened software to avoid noise problems

EMC characterization and optimization are performed at component level with a typical application environment and simplified MCU software. It should be noted that good EMC performance is highly dependent on the user application and the software in particular.

Therefore it is recommended that the user applies EMC software optimization and prequalification tests in relation with the EMC level requested for his application.

Software recommendations

The software flowchart must include the management of runaway conditions such as:

- Corrupted program counter
- Unexpected reset
- Critical data corruption (control registers...)

Prequalification trials

Most of the common failures (unexpected reset and program counter corruption) can be reproduced by manually forcing a low state on the NRST pin or the oscillator pins for 1 second.



To complete these trials, ESD stress can be applied directly on the device, over the range of specification values. When unexpected behavior is detected, the software can be hardened to prevent unrecoverable errors occurring (see application note AN1015).

**Electromagnetic Interference (EMI)**

The electromagnetic field emitted by the device are monitored while a simple application is executed (toggling 2 LEDs through the I/O ports). This emission test is compliant with IEC 61967-2 standard which specifies the test board and the pin loading.

**Table 46. EMI characteristics**

| Symbol           | Parameter  | Conditions   | Monitored frequency band | Max vs. frequency range (32 MHz voltage Range 1) | Unit |
|------------------|------------|--|--------------------------|--|------|
| S <sub>EMI</sub> | Peak level | V <sub>DD</sub> = 3.3 V,<br>T <sub>A</sub> = 25 °C,<br>LQFP32 package<br>compliant with IEC<br>61967-2 | 0.1 to 30 MHz            | -22  | dBµV |
|                  |            |  | 30 to 130 MHz            | -7   |      |
|                  |            |  | 130 MHz to 1GHz          | -12  |      |
|                  |            |  | SAE EMI Level            | 1  | -    |

**6.3.11 Electrical sensitivity characteristics**

Based on three different tests (ESD, LU) using specific measurement methods, the device is stressed in order to determine its performance in terms of electrical sensitivity.

**Electrostatic discharge (ESD)**

Electrostatic discharges (a positive then a negative pulse separated by 1 second) are applied to the pins of each sample according to each pin combination. The sample size depends on the number of supply pins in the device (3 parts × (n+1) supply pins). This test conforms to the ANSI/JEDEC standard.

**Table 47. ESD absolute maximum ratings**

| Symbol                | Ratings   | Conditions  | Class | Maximum value <sup>(1)</sup> | Unit |
|-----------------------|---|---|-------|------------------------------|------|
| V <sub>ESD(HBM)</sub> | Electrostatic discharge voltage (human body model)    | T <sub>A</sub> = +25 °C,<br>conforming to<br>ANSI/JEDEC JS-001  | 2     | 2000                         | V    |
| V <sub>ESD(CDM)</sub> | Electrostatic discharge voltage (charge device model) | T <sub>A</sub> = +25 °C,<br>conforming to<br>ANSI/ESD STM5.3.1. | C4    | 500                          |      |

1. Guaranteed by characterization results, not tested in production.

**Static latch-up**

Two complementary static tests are required on six parts to assess the latch-up performance:

- A supply overvoltage is applied to each power supply pin
- A current injection is applied to each input, output and configurable I/O pin

These tests are compliant with EIA/JESD 78A IC latch-up standard.



**Table 48. Electrical sensitivities**

| Symbol | Parameter             | Conditions                                     | Class      |
|--------|-----------------------|--|------------|
| LU     | Static latch-up class | T <sub>A</sub> = +125 °C conforming to JESD78A | II level A |

**6.3.12 I/O current injection characteristics**

As a general rule, current injection to the I/O pins, due to external voltage below V<sub>SS</sub> or above V<sub>DD</sub> (for standard pins) should be avoided during normal product operation. However, in order to give an indication of the robustness of the microcontroller in cases when abnormal injection accidentally happens, susceptibility tests are performed on a sample basis during device characterization.

**Functional susceptibility to I/O current injection**

While a simple application is executed on the device, the device is stressed by injecting current into the I/O pins programmed in floating input mode. While current is injected into the I/O pin, one at a time, the device is checked for functional failures.

The failure is indicated by an out of range parameter: ADC error above a certain limit (higher than 5 LSB TUE), out of conventional limits of induced leakage current on adjacent pins (out of -5 µA/+0 µA range), or other functional failure (for example reset occurrence oscillator frequency deviation).

The test results are given in the [Table 49](#).

**Table 49. I/O current injection susceptibility**

| Symbol           | Description                       | Functional susceptibility |                    | Unit |
|------------------|-----------------------------------|---------------------------|--------------------|------|
|                  |                                   | Negative injection        | Positive injection |      |
| I <sub>INJ</sub> | Injected current on BOOT0         | -0                        | NA <sup>(1)</sup>  | mA   |
|                  | Injected current on all FT pins   | -5 <sup>(2)</sup>         | NA <sup>(1)</sup>  |      |
|                  | Injected current on any other pin | -5 <sup>(2)</sup>         | +5                 |      |

1. Current injection is not possible.
2. It is recommended to add a Schottky diode (pin to ground) to analog pins which may potentially inject negative currents.



### 6.3.13 I/O port characteristics

#### General input/output characteristics

Unless otherwise specified, the parameters given in [Table 50](#) are derived from tests performed under the conditions summarized in [Table 18](#). All I/Os are CMOS and TTL compliant.

Table 50. I/O static characteristics

| Symbol    | Parameter   | Conditions   | Min                        | Typ                 | Max                | Unit       |
|-----------|---|--|----------------------------|---------------------|--------------------|------------|
| $V_{IL}$  | Input low level voltage                               | TC, FT, FTf, RST I/Os  | -                          | -                   | $0.3V_{DD}$        | V          |
|           |   | BOOT0 pin  | -                          | -                   | $0.14V_{DD}^{(1)}$ |            |
| $V_{IH}$  | Input high level voltage                              | All I/Os except BOOT0 pin  | $0.7 V_{DD}$               | -                   | -                  |            |
|           |   | BOOT0 pin  | $0.15 V_{DD} + 0.56^{(1)}$ | -                   | -                  |            |
| $V_{hys}$ | I/O Schmitt trigger voltage hysteresis <sup>(2)</sup> | Standard I/Os  | -                          | $10\% V_{DD}^{(3)}$ | -                  |            |
|           |   | BOOT0 pin  | -                          | 0.01                | -                  |            |
| $I_{lkg}$ | Input leakage current <sup>(4)</sup>                  | $V_{SS} \leq V_{IN} \leq V_{DD}$<br>All I/Os except BOOT0 and FTf I/Os | -                          | -                   | $\pm 50$           | nA         |
|           |   | BOOT0 <sup>(5)</sup><br>$V_{IN} = V_{DD}$                              | -                          | +2                  | -                  | $\mu A$    |
|           |   | BOOT0<br>$V_{IN} = V_{SS}$   | -                          | 0                   | -                  | $\mu A$    |
|           |   | $V_{DD} \leq V_{IN} \leq 5 V$<br>FT I/Os                               | -                          | -                   | 200                | nA         |
|           |   | $V_{DD} \leq V_{IN} \leq 5 V$<br>FTf I/Os                              | -                          | -                   | 500                | nA         |
|           |   | $V_{DD} \leq V_{IN} \leq 5 V$<br>BOOT0                                 | -                          | -                   | 10                 | $\mu A$    |
| $R_{PU}$  | Weak pull-up equivalent resistor <sup>(6)</sup>       | $V_{IN} = V_{SS}$  | 25                         | 45                  | 65                 | k $\Omega$ |
| $R_{PD}$  | Weak pull-down equivalent resistor <sup>(6)</sup>     | $V_{IN} = V_{DD}$  | 25                         | 45                  | 65                 | k $\Omega$ |
| $C_{IO}$  | I/O pin capacitance                                   | -  | -                          | 5                   | -                  | pF         |

1. Guaranteed by characterization, not tested in production
2. Hysteresis voltage between Schmitt trigger switching levels. Guaranteed by characterization results, not tested in production.
3. With a minimum of 200 mV. Guaranteed by characterization results, not tested in production.
4. The max. value may be exceeded if negative current is injected on adjacent pins.
5. BOOT0/PB9 pin limitation: typical input leakage current = 2  $\mu A$  and input frequency limited to 10 kHz ( $1.65 V < V_{DD} < 2.7 V$ ) and 5 MHz ( $2.7 V < V_{DD} < 3.6 V$ ).
6. Pull-up and pull-down resistors are designed with a true resistance in series with a switchable PMOS/NMOS. This MOS/NMOS contribution to the series resistance is minimum (~10% order).

Figure 23.  $V_{IH}/V_{IL}$  versus  $V_{DD}$  (CMOS I/Os)



Figure 24.  $V_{IH}/V_{IL}$  versus  $V_{DD}$  (TTL I/Os)



**Output driving current**

The GPIOs (general purpose input/outputs) can sink or source up to  $\pm 8$  mA, and sink or source up to  $\pm 15$  mA with the non-standard  $V_{OL}/V_{OH}$  specifications given in [Table 51](#).

In the user application, the number of I/O pins which can drive current must be limited to respect the absolute maximum rating specified in [Section 6.2](#):

- The sum of the currents sourced by all the I/Os on  $V_{DD}$ , plus the maximum Run consumption of the MCU sourced on  $V_{DD}$ , cannot exceed the absolute maximum rating  $I_{VDD(\Sigma)}$  (see [Table 16](#)).
- The sum of the currents sunk by all the I/Os on  $V_{SS}$  plus the maximum Run consumption of the MCU sunk on  $V_{SS}$  cannot exceed the absolute maximum rating  $I_{VSS(\Sigma)}$  (see [Table 16](#)).

### Output voltage levels

Unless otherwise specified, the parameters given in [Table 51](#) are derived from tests performed under ambient temperature and  $V_{DD}$  supply voltage conditions summarized in [Table 18](#). All I/Os are CMOS and TTL compliant.

**Table 51. Output voltage characteristics**

| Symbol               | Parameter   | Conditions   | Min           | Max  | Unit |
|----------------------|---|--|---------------|------|------|
| $V_{OL}^{(1)}$       | Output low level voltage for an I/O pin                 | CMOS port <sup>(2)</sup> ,<br>$I_{IO} = +8 \text{ mA}$<br>$2.7 \text{ V} \leq V_{DD} \leq 3.6 \text{ V}$ | -             | 0.4  | V    |
| $V_{OH}^{(3)}$       | Output high level voltage for an I/O pin                |  | $V_{DD}-0.4$  | -    |      |
| $V_{OL}^{(1)}$       | Output low level voltage for an I/O pin                 | TTL port <sup>(2)</sup> ,<br>$I_{IO} = +8 \text{ mA}$<br>$2.7 \text{ V} \leq V_{DD} \leq 3.6 \text{ V}$  | -             | 0.4  |      |
| $V_{OH}^{(3)(4)}$    | Output high level voltage for an I/O pin                | TTL port <sup>(2)</sup> ,<br>$I_{IO} = -6 \text{ mA}$<br>$2.7 \text{ V} \leq V_{DD} \leq 3.6 \text{ V}$  | 2.4           | -    |      |
| $V_{OL}^{(1)(4)}$    | Output low level voltage for an I/O pin                 | $I_{IO} = +15 \text{ mA}$<br>$2.7 \text{ V} \leq V_{DD} \leq 3.6 \text{ V}$                              | -             | 1.3  |      |
| $V_{OH}^{(3)(4)}$    | Output high level voltage for an I/O pin                | $I_{IO} = -15 \text{ mA}$<br>$2.7 \text{ V} \leq V_{DD} \leq 3.6 \text{ V}$                              | $V_{DD}-1.3$  | -    |      |
| $V_{OL}^{(1)(4)}$    | Output low level voltage for an I/O pin                 | $I_{IO} = +4 \text{ mA}$<br>$1.65 \text{ V} \leq V_{DD} < 3.6 \text{ V}$                                 | -             | 0.45 |      |
| $V_{OH}^{(3)(4)}$    | Output high level voltage for an I/O pin                | $I_{IO} = -4 \text{ mA}$<br>$1.65 \text{ V} \leq V_{DD} \leq 3.6 \text{ V}$                              | $V_{DD}-0.45$ | -    |      |
| $V_{OLFM+}^{(1)(4)}$ | Output low level voltage for an FTf I/O pin in Fm+ mode | $I_{IO} = 20 \text{ mA}$<br>$2.7 \text{ V} \leq V_{DD} \leq 3.6 \text{ V}$                               | -             | 0.4  |      |
|                      |   | $I_{IO} = 10 \text{ mA}$<br>$1.65 \text{ V} \leq V_{DD} \leq 3.6 \text{ V}$                              | -             | 0.4  |      |

1. The  $I_{IO}$  current sunk by the device must always respect the absolute maximum rating specified in [Table 16](#). The sum of the currents sunk by all the I/Os (I/O ports and control pins) must always be respected and must not exceed  $\Sigma I_{IO(PIN)}$ .
2. TTL and CMOS outputs are compatible with JEDEC standards JESD36 and JESD52.
3. The  $I_{IO}$  current sourced by the device must always respect the absolute maximum rating specified in [Table 16](#). The sum of the currents sourced by all the I/Os (I/O ports and control pins) must always be respected and must not exceed  $\Sigma I_{IO(PIN)}$ .
4. Guaranteed by characterization results, not tested in production.

**Input/output AC characteristics**

The definition and values of input/output AC characteristics are given in [Figure 25](#) and [Table 52](#), respectively.

Unless otherwise specified, the parameters given in [Table 52](#) are derived from tests performed under ambient temperature and  $V_{DD}$  supply voltage conditions summarized in [Table 18](#).

**Table 52. I/O AC characteristics<sup>(1)(2)</sup>**

| OSPEEDRx [1:0] bit value <sup>(1)</sup> | Symbol   | Parameter   | Conditions   | Min | Max <sup>(3)</sup> | Unit |
|---|--|---|--|-----|--------------------|------|
| 00                                      | $f_{\max(\text{IO})\text{out}}$                              | Maximum frequency <sup>(4)</sup>                                | $C_L = 50 \text{ pF}, V_{DD} = 2.7 \text{ V to } 3.6 \text{ V}$  | -   | 400                | kHz  |
|   |  |   | $C_L = 50 \text{ pF}, V_{DD} = 1.65 \text{ V to } 2.7 \text{ V}$ | -   | 100                |      |
|   | $t_{f(\text{IO})\text{out}}$<br>$t_{r(\text{IO})\text{out}}$ | Output rise and fall time                                       | $C_L = 50 \text{ pF}, V_{DD} = 2.7 \text{ V to } 3.6 \text{ V}$  | -   | 125                | ns   |
|   |  |   | $C_L = 50 \text{ pF}, V_{DD} = 1.65 \text{ V to } 2.7 \text{ V}$ | -   | 320                |      |
| 01                                      | $f_{\max(\text{IO})\text{out}}$                              | Maximum frequency <sup>(4)</sup>                                | $C_L = 50 \text{ pF}, V_{DD} = 2.7 \text{ V to } 3.6 \text{ V}$  | -   | 2                  | MHz  |
|   |  |   | $C_L = 50 \text{ pF}, V_{DD} = 1.65 \text{ V to } 2.7 \text{ V}$ | -   | 0.6                |      |
|   | $t_{f(\text{IO})\text{out}}$<br>$t_{r(\text{IO})\text{out}}$ | Output rise and fall time                                       | $C_L = 50 \text{ pF}, V_{DD} = 2.7 \text{ V to } 3.6 \text{ V}$  | -   | 30                 | ns   |
|   |  |   | $C_L = 50 \text{ pF}, V_{DD} = 1.65 \text{ V to } 2.7 \text{ V}$ | -   | 65                 |      |
| 10                                      | $F_{\max(\text{IO})\text{out}}$                              | Maximum frequency <sup>(4)</sup>                                | $C_L = 50 \text{ pF}, V_{DD} = 2.7 \text{ V to } 3.6 \text{ V}$  | -   | 10                 | MHz  |
|   |  |   | $C_L = 50 \text{ pF}, V_{DD} = 1.65 \text{ V to } 2.7 \text{ V}$ | -   | 2                  |      |
|   | $t_{f(\text{IO})\text{out}}$<br>$t_{r(\text{IO})\text{out}}$ | Output rise and fall time                                       | $C_L = 50 \text{ pF}, V_{DD} = 2.7 \text{ V to } 3.6 \text{ V}$  | -   | 13                 | ns   |
|   |  |   | $C_L = 50 \text{ pF}, V_{DD} = 1.65 \text{ V to } 2.7 \text{ V}$ | -   | 28                 |      |
| 11                                      | $F_{\max(\text{IO})\text{out}}$                              | Maximum frequency <sup>(4)</sup>                                | $C_L = 30 \text{ pF}, V_{DD} = 2.7 \text{ V to } 3.6 \text{ V}$  | -   | 35                 | MHz  |
|   |  |   | $C_L = 50 \text{ pF}, V_{DD} = 1.65 \text{ V to } 2.7 \text{ V}$ | -   | 10                 |      |
|   | $t_{f(\text{IO})\text{out}}$<br>$t_{r(\text{IO})\text{out}}$ | Output rise and fall time                                       | $C_L = 30 \text{ pF}, V_{DD} = 2.7 \text{ V to } 3.6 \text{ V}$  | -   | 6                  | ns   |
|   |  |   | $C_L = 50 \text{ pF}, V_{DD} = 1.65 \text{ V to } 2.7 \text{ V}$ | -   | 17                 |      |
| -                                       | $t_{\text{EXTI}pw}$  | Pulse width of external signals detected by the EXTI controller | -  | 8   | -                  | ns   |

1. The I/O speed is configured using the OSPEEDRx[1:0] bits. Refer to the line reference manual for a description of GPIO Port configuration register.
2. BOOT0/PB9 maximum input frequency is 10 kHz ( $1.65 \text{ V} < V_{DD} < 2.7 \text{ V}$ ) and 5 MHz ( $2.7 \text{ V} < V_{DD} < 3.6 \text{ V}$ ).
3. Guaranteed by design. Not tested in production.
4. The maximum frequency is defined in [Figure 25](#).



Figure 25. I/O AC characteristics definition



### 6.3.14 NRST pin characteristics

The NRST pin input driver uses CMOS technology. It is connected to a permanent pull-up resistor,  $R_{PU}$ , except when it is internally driven low (see [Table 53](#)).

Unless otherwise specified, the parameters given in [Table 53](#) are derived from tests performed under ambient temperature and  $V_{DD}$  supply voltage conditions summarized in [Table 18](#).

Table 53. NRST pin characteristics

| Symbol                | Parameter                                       | Conditions  | Min                     | Typ                | Max         | Unit       |
|-----------------------|---|---|-------------------------|--------------------|-------------|------------|
| $V_{IL(NRST)}^{(1)}$  | NRST input low level voltage                    | -   | -                       | -                  | $0.3V_{DD}$ | V          |
| $V_{IH(NRST)}^{(1)}$  | NRST input high level voltage                   | -   | $0.39V_{DD}+$<br>$0.59$ | -                  | -           |            |
| $V_{OL(NRST)}^{(1)}$  | NRST output low level voltage                   | $I_{OL} = 2\text{ mA}$<br>$2.7\text{ V} < V_{DD} < 3.6\text{ V}$    | -                       | -                  | 0.4         |            |
|                       |   | $I_{OL} = 1.5\text{ mA}$<br>$1.65\text{ V} < V_{DD} < 2.7\text{ V}$ | -                       | -                  |             |            |
| $V_{hys(NRST)}^{(1)}$ | NRST Schmitt trigger voltage hysteresis         | -   | -                       | $10\%V_{DD}^{(2)}$ | -           | mV         |
| $R_{PU}$              | Weak pull-up equivalent resistor <sup>(3)</sup> | $V_{IN} = V_{SS}$   | 25                      | 45                 | 65          | k $\Omega$ |
| $V_{F(NRST)}^{(1)}$   | NRST input filtered pulse                       | -   | -                       | -                  | 50          | ns         |
| $V_{NF(NRST)}^{(1)}$  | NRST input not filtered pulse                   | -   | 350                     | -                  | -           | ns         |

1. Guaranteed by design, not tested in production.
2. 200 mV minimum value
3. The pull-up is designed with a true resistance in series with a switchable PMOS. This PMOS contribution to the series resistance is around 10%.

Figure 26. Recommended NRST pin protection



1. The reset network protects the device against parasitic resets.
2. The external capacitor must be placed as close as possible to the device.
3. The user must ensure that the level on the NRST pin can go below the  $V_{IL(NRST)}$  max level specified in [Table 53](#). Otherwise the reset will not be taken into account by the device.

### 6.3.15 12-bit ADC characteristics

Unless otherwise specified, the parameters given in [Table 54](#) are values derived from tests performed under ambient temperature,  $f_{PCLK}$  frequency and  $V_{DDA}$  supply voltage conditions summarized in [Table 18: General operating conditions](#).

*Note:* It is recommended to perform a calibration after each power-up.

Table 54. ADC characteristics

| Symbol                      | Parameter   | Conditions  | Min                 | Typ | Max       | Unit        |
|-----------------------------|---|---|---------------------|-----|-----------|-------------|
| $V_{DDA}$                   | Analog supply voltage for ADC ON                          | Fast channel  | 1.65                | -   | 3.6       | V           |
|                             |   | Standard channels   | 1.75 <sup>(1)</sup> | -   | 3.6       |             |
| $I_{DDA(ADC)}$              | Current consumption of the ADC on $V_{DDA}$               | 1.14 Msps   | -                   | 200 | -         | $\mu A$     |
|                             |   | 10 ksps   | -                   | 40  | -         |             |
|                             | Current consumption of the ADC on $V_{DD}$ <sup>(2)</sup> | 1.14 Msps   | -                   | 70  | -         |             |
|                             |   | 10 ksps   | -                   | 1   | -         |             |
| $f_{ADC}$                   | ADC clock frequency                                       | Voltage scaling Range 1   | 0.14                | -   | 16        | MHz         |
|                             |   | Voltage scaling Range 2   | 0.14                | -   | 8         |             |
|                             |   | Voltage scaling Range 3   | 0.14                | -   | 4         |             |
| $f_S$ <sup>(3)</sup>        | Sampling rate   | -   | 0.05                | -   | 1.14      | MHz         |
| $f_{TRIG}$ <sup>(3)</sup>   | External trigger frequency                                | $f_{ADC} = 16$ MHz, 16-bit resolution                                   | -                   | -   | 941       | kHz         |
|                             |   | -   | -                   | -   | 17        | $1/f_{ADC}$ |
| $V_{AIN}$                   | Conversion voltage range                                  | -   | 0                   | -   | $V_{DDA}$ | V           |
| $R_{AIN}$ <sup>(3)</sup>    | External input impedance                                  | See <a href="#">Equation 1</a> and <a href="#">Table 55</a> for details | -                   | -   | 50        | k $\Omega$  |
| $R_{ADC}$ <sup>(3)(4)</sup> | Sampling switch resistance                                | -   | -                   | -   | 1         | k $\Omega$  |



Table 54. ADC characteristics (continued)

| Symbol                           | Parameter                                       | Conditions                                       | Min   | Typ | Max   | Unit                    |
|----------------------------------|---|--|---|-----|---|-------------------------|
| C <sub>ADC</sub> <sup>(3)</sup>  | Internal sample and hold capacitor              | -  | -   | -   | 8   | pF                      |
| t <sub>CAL</sub> <sup>(3)</sup>  | Calibration time                                | f <sub>ADC</sub> = 16 MHz                        | 5.2   |     |   | µs                      |
|                                  |   | -  | 83  |     |   | 1/f <sub>ADC</sub>      |
| W <sub>LATENCY</sub>             | ADC_DR register write latency                   | ADC clock = HSI16                                | 1.5 ADC cycles + 2 f <sub>PCLK</sub> cycles                                 | -   | 1.5 ADC cycles + 3 f <sub>PCLK</sub> cycles | -                       |
|                                  |   | ADC clock = PCLK/2                               | -   | 4.5 | -   | f <sub>PCLK</sub> cycle |
|                                  |   | ADC clock = PCLK/4                               | -   | 8.5 | -   | f <sub>PCLK</sub> cycle |
| t <sub>latr</sub> <sup>(3)</sup> | Trigger conversion latency                      | f <sub>ADC</sub> = f <sub>PCLK</sub> /2 = 16 MHz | 0.266   |     |   | µs                      |
|                                  |   | f <sub>ADC</sub> = f <sub>PCLK</sub> /2          | 8.5   |     |   | 1/f <sub>PCLK</sub>     |
|                                  |   | f <sub>ADC</sub> = f <sub>PCLK</sub> /4 = 8 MHz  | 0.516   |     |   | µs                      |
|                                  |   | f <sub>ADC</sub> = f <sub>PCLK</sub> /4          | 16.5  |     |   | 1/f <sub>PCLK</sub>     |
|                                  |   | f <sub>ADC</sub> = f <sub>HSI16</sub> = 16 MHz   | 0.252   | -   | 0.260                                       | µs                      |
| Jitter <sub>ADC</sub>            | ADC jitter on trigger conversion                | f <sub>ADC</sub> = f <sub>HSI16</sub>            | -   | 1   | -   | 1/f <sub>HSI16</sub>    |
| t <sub>S</sub> <sup>(3)</sup>    | Sampling time                                   | f <sub>ADC</sub> = 16 MHz                        | 0.093   | -   | 10.03                                       | µs                      |
|                                  |   | -  | 1.5   | -   | 239.5                                       | 1/f <sub>ADC</sub>      |
| t <sub>STAB</sub> <sup>(3)</sup> | Power-up time                                   | -  | 0   | 0   | 1   | µs                      |
| t <sub>ConV</sub> <sup>(3)</sup> | Total conversion time (including sampling time) | f <sub>ADC</sub> = 16 MHz                        | 0.875   |     | 10.81                                       | µs                      |
|                                  |   | -  | 14 to 173 (t <sub>S</sub> for sampling + 12.5 for successive approximation) |     |   | 1/f <sub>ADC</sub>      |

- V<sub>DDA</sub> minimum value can be decreased in specific temperature conditions. Refer to [Table 55: RAIN max for f<sub>ADC</sub> = 16 MHz](#).
- A current consumption proportional to the APB clock frequency has to be added (see [Table 32: Peripheral current consumption in run or Sleep mode](#)).
- Guaranteed by design, not tested in production.
- Standard channels have an extra protection resistance which depends on supply voltage. Refer to [Table 55: RAIN max for f<sub>ADC</sub> = 16 MHz](#).

**Equation 1: R<sub>AIN</sub> max formula**

$$R_{AIN} < \frac{T_S}{f_{ADC} \times C_{ADC} \times \ln(2^{N+2})} - R_{ADC}$$

The simplified formula above ([Equation 1](#)) is used to determine the maximum external impedance allowed for an error below 1/4 of LSB. Here N = 12 (from 12-bit resolution).



Table 55.  $R_{AIN}$  max for  $f_{ADC} = 16 \text{ MHz}^{(1)}$

| $T_s$<br>(cycles) | $t_s$<br>( $\mu\text{s}$ ) | $R_{AIN}$ max for<br>fast channels<br>( $k\Omega$ ) | $R_{AIN}$ max for standard channels ( $k\Omega$ ) |                          |                          |                          |                           |  |   |
|-------------------|----------------------------|---|---|--------------------------|--------------------------|--------------------------|---------------------------|--|---|
|                   |                            |   | $V_{DD} > 2.7 \text{ V}$                          | $V_{DD} > 2.4 \text{ V}$ | $V_{DD} > 2.0 \text{ V}$ | $V_{DD} > 1.8 \text{ V}$ | $V_{DD} > 1.75 \text{ V}$ | $V_{DD} > 1.65 \text{ V}$<br>and<br>$T_A > -10 \text{ }^\circ\text{C}$ | $V_{DD} > 1.65 \text{ V}$<br>and<br>$T_A > 25 \text{ }^\circ\text{C}$ |
| 1.5               | 0.09                       | 0.5   | < 0.1   | NA                       | NA                       | NA                       | NA                        | NA   | NA  |
| 3.5               | 0.22                       | 1   | 0.2   | < 0.1                    | NA                       | NA                       | NA                        | NA   | NA  |
| 7.5               | 0.47                       | 2.5   | 1.7   | 1.5                      | < 0.1                    | NA                       | NA                        | NA   | NA  |
| 12.5              | 0.78                       | 4   | 3.2   | 3                        | 1                        | NA                       | NA                        | NA   | NA  |
| 19.5              | 1.22                       | 6.5   | 5.7   | 5.5                      | 3.5                      | NA                       | NA                        | NA   | < 0.1   |
| 39.5              | 2.47                       | 13  | 12.2  | 12                       | 10                       | NA                       | NA                        | NA   | 5   |
| 79.5              | 4.97                       | 27  | 26.2  | 26                       | 24                       | < 0.1                    | NA                        | NA   | 19  |
| 160.5             | 10.03                      | 50  | 49.2  | 49                       | 47                       | 32                       | < 0.1                     | < 0.1  | 42  |

1. Guaranteed by design.

Table 56. ADC accuracy<sup>(1)(2)(3)(4)</sup>

| Symbol | Parameter  | Conditions  | Min  | Typ  | Max   | Unit |
|--------|--|---|------|------|-------|------|
| ET     | Total unadjusted error   |   | -    | 2    | 4     | LSB  |
| EO     | Offset error   |   | -    | 1    | 2.5   |      |
| EG     | Gain error   |   | -    | 1    | 2     |      |
| EL     | Integral linearity error   |   | -    | 1.5  | 2.5   |      |
| ED     | Differential linearity error   |   | -    | 1    | 1.5   |      |
| ENOB   | Effective number of bits   | 1.65 V < $V_{DDA}$ < 3.6 V, range 1/2/3, except for TSSOP14 package | 10.2 | 11   |       | bits |
|        | Effective number of bits (16-bit mode oversampling with ratio =256) <sup>(5)</sup> |   | 11.3 | 12.1 | -     |      |
| SINAD  | Signal-to-noise distortion   |   | 62   | 67.8 | -     | dB   |
| SNR    | Signal-to-noise ratio  |   | 63   | 68   | -     |      |
|        | Signal-to-noise ratio (16-bit mode oversampling with ratio =256) <sup>(5)</sup>    |   | 70   | 76   | -     |      |
| THD    | Total harmonic distortion  |   | -    | -81  | -68.5 |      |

Table 56. ADC accuracy<sup>(1)(2)(3)(4)</sup>

| Symbol | Parameter  | Conditions  | Min  | Typ  | Max | Unit |
|--------|--|---|------|------|-----|------|
| ET     | Total unadjusted error   | 1.65 V < V <sub>DDA</sub> < 3.6 V, range 1/2/3, TSSOP14 package | -    | 3    | 5   | LSB  |
| EO     | Offset error   |   | -    | 2    | 2.5 |      |
| EG     | Gain error   |   | -    | 2    | 2.5 |      |
| EL     | Integral linearity error   |   | -    | 1.5  | 2.5 |      |
| ED     | Differential linearity error   |   | -    | 1    | 1.7 |      |
| ENOB   | Effective number of bits   |   | 9.5  | 10.5 | -   | bits |
|        | Effective number of bits (16-bit mode oversampling with ratio =256) <sup>(5)</sup> |   | 10.7 | 11.6 | -   |      |
| SINAD  | Signal-to-noise distortion   |   | 59   | 65   | -   | dB   |
| SNR    | Signal-to-noise ratio  |   | 59   | 65   | -   |      |
|        | Signal-to-noise ratio (16-bit mode oversampling with ratio =256) <sup>(5)</sup>    |   | 66   | 73   | -   |      |
| THD    | Total harmonic distortion  | -   | -75  | -63  |     |      |

1. ADC DC accuracy values are measured after internal calibration.
2. ADC Accuracy vs. Negative Injection Current: Injecting negative current on any of the standard (non-robust) analog input pins should be avoided as this significantly reduces the accuracy of the conversion being performed on another analog input. It is recommended to add a Schottky diode (pin to ground) to standard analog pins which may potentially inject negative current. Any positive injection current within the limits specified for I<sub>INJ(PIN)</sub> and ΣI<sub>INJ(PIN)</sub> in Section 6.3.12 does not affect the ADC accuracy.
3. Better performance may be achieved in restricted V<sub>DDA</sub>, frequency and temperature ranges.
4. In TSSOP14 package, where V<sub>DDA</sub> pin is shared with V<sub>DD</sub> pin, I/O toggling should be minimized to reach the values given in the above table. I/O toggling with loaded I/O pins can generate ripple on V<sub>DD</sub>/V<sub>DDA</sub> and degrade the ADC accuracy.
5. This number is obtained by the test board without additional noise, resulting in non-optimized value for oversampling mode.

Figure 27. ADC accuracy characteristics



Figure 28. Typical connection diagram using the ADC



1. Refer to [Table 54: ADC characteristics](#) for the values of  $R_{AIN}$ ,  $R_{ADC}$  and  $C_{ADC}$ .
2.  $C_{parasitic}$  represents the capacitance of the PCB (dependent on soldering and PCB layout quality) plus the pad capacitance (roughly 7 pF). A high  $C_{parasitic}$  value will downgrade conversion accuracy. To remedy this,  $f_{ADC}$  should be reduced.

### 6.3.16 Temperature sensor characteristics

Table 57. Temperature sensor calibration values

| Calibration value name | Description  | Memory address            |
|------------------------|--|---------------------------|
| TS_CAL2                | TS ADC raw data acquired at temperature of $130\text{ }^{\circ}\text{C} \pm 5\text{ }^{\circ}\text{C}$ , $V_{DDA} = 3\text{ V} \pm 10\text{ mV}$ | 0x1FF8 007E - 0x1FF8 007F |

Table 58. Temperature sensor characteristics

| Symbol                   | Parameter  | Min  | Typ     | Max     | Unit                   |
|--------------------------|--|------|---------|---------|------------------------|
| $T_L^{(1)}$              | $V_{SENSE}$ linearity with temperature                                       | -    | $\pm 1$ | $\pm 2$ | $^{\circ}\text{C}$     |
| Avg_Slope <sup>(1)</sup> | Average slope  | 1.48 | 1.61    | 1.75    | mV/ $^{\circ}\text{C}$ |
| $V_{130}$                | Voltage at $130\text{ }^{\circ}\text{C} \pm 5\text{ }^{\circ}\text{C}^{(2)}$ | 640  | 670     | 700     | mV                     |
| $I_{DDA(TEMP)}^{(3)}$    | Current consumption  | -    | 3.4     | 6       | $\mu\text{A}$          |
| $t_{START}^{(3)}$        | Startup time   | -    | -       | 10      | $\mu\text{s}$          |
| $T_{S\_temp}^{(4)(3)}$   | ADC sampling time when reading the temperature                               | 10   | -       | -       |                        |

1. Guaranteed by characterization results, not tested in production.
2. Measured at  $V_{DD} = 3\text{ V} \pm 10\text{ mV}$ . V30 ADC conversion result is stored in the TS\_CAL1 byte.
3. Guaranteed by design, not tested in production.
4. Shortest sampling time can be determined in the application by multiple iterations.

6.3.17 Comparators

Table 59. Comparator 1 characteristics

| Symbol                  | Parameter   | Conditions   | Min <sup>(1)</sup> | Typ | Max <sup>(1)</sup> | Unit      |
|-------------------------|---|--|--------------------|-----|--------------------|-----------|
| V <sub>DDA</sub>        | Analog supply voltage   | -  | 1.65               |     | 3.6                | V         |
| R <sub>400K</sub>       | R <sub>400K</sub> value   | -  | -                  | 400 | -                  | kΩ        |
| R <sub>10K</sub>        | R <sub>10K</sub> value  | -  | -                  | 10  | -                  |           |
| V <sub>IN</sub>         | Comparator 1 input voltage range  | -  | 0.6                | -   | V <sub>DDA</sub>   | V         |
| t <sub>START</sub>      | Comparator startup time   | -  | -                  | 7   | 10                 | μs        |
| t <sub>d</sub>          | Propagation delay <sup>(2)</sup>  | -  | -                  | 3   | 10                 |           |
| V <sub>offset</sub>     | Comparator offset <sup>(3)</sup>  | -  | -                  | ±3  | ±10                | mV        |
| d <sub>Voffset/dt</sub> | Comparator offset variation in worst voltage stress conditions <sup>(3)</sup> | V <sub>DDA</sub> = 3.6 V<br>V <sub>IN+</sub> = 0 V<br>V <sub>IN-</sub> = V <sub>REFINT</sub><br>T <sub>A</sub> = 25 °C | 0                  | 1.5 | 10                 | mV/1000 h |
| I <sub>COMP1</sub>      | Current consumption <sup>(4)</sup>  | -  | -                  | 160 | 260                | nA        |

1. Guaranteed by characterization, not tested in production.
2. The delay is characterized for 100 mV input step with 10 mV overdrive on the inverting input, the non-inverting input set to the reference.
3. In TSSOP14 package, where V<sub>DDA</sub> pin is shared with V<sub>DD</sub> pin, I/O toggling should be minimized to reach the values given in the above table. I/O toggling with loaded I/O pins can generate ripple on V<sub>DD</sub>/V<sub>DDA</sub> and degrade the comparator performance.
4. Comparator consumption only. Internal reference voltage not included.

Table 60. Comparator 2 characteristics

| Symbol              | Parameter                                     | Conditions  | Min  | Typ | Max <sup>(1)</sup> | Unit     |
|---------------------|---|---|------|-----|--------------------|----------|
| V <sub>DDA</sub>    | Analog supply voltage                         | -   | 1.65 | -   | 3.6                | V        |
| V <sub>IN</sub>     | Comparator 2 input voltage range              | -   | 0    | -   | V <sub>DDA</sub>   | V        |
| t <sub>START</sub>  | Comparator startup time                       | Fast mode   | -    | 15  | 20                 | μs       |
|                     |   | Slow mode   | -    | 20  | 25                 |          |
| t <sub>d slow</sub> | Propagation delay <sup>(2)</sup> in slow mode | 1.65 V ≤ V <sub>DDA</sub> ≤ 2.7 V   | -    | 1.8 | 3.5                |          |
|                     |   | 2.7 V ≤ V <sub>DDA</sub> ≤ 3.6 V  | -    | 2.5 | 6                  |          |
| t <sub>d fast</sub> | Propagation delay <sup>(2)</sup> in fast mode | 1.65 V ≤ V <sub>DDA</sub> ≤ 2.7 V   | -    | 0.8 | 2                  |          |
|                     |   | 2.7 V ≤ V <sub>DDA</sub> ≤ 3.6 V  | -    | 1.2 | 4                  |          |
| V <sub>offset</sub> | Comparator offset error <sup>(3)</sup>        |   | -    | ±4  | ±20                | mV       |
| dThreshold/dt       | Threshold voltage temperature coefficient     | V <sub>DDA</sub> = 3.3V<br>T <sub>A</sub> = 0 to 50 °C<br>V <sub>-</sub> = V <sub>REFINT</sub> ,<br>3/4 V <sub>REFINT</sub> ,<br>1/2 V <sub>REFINT</sub> ,<br>1/4 V <sub>REFINT</sub> | -    | 15  | 30                 | ppm / °C |



**Table 60. Comparator 2 characteristics (continued)**

| Symbol             | Parameter                          | Conditions | Min | Typ | Max <sup>(1)</sup> | Unit |
|--------------------|------------------------------------|------------|-----|-----|--------------------|------|
| I <sub>COMP2</sub> | Current consumption <sup>(4)</sup> | Fast mode  | -   | 3.5 | 5                  | μA   |
|                    |                                    | Slow mode  | -   | 0.5 | 2                  |      |

1. Guaranteed by characterization results, not tested in production.
2. The delay is characterized for 100 mV input step with 10 mV overdrive on the inverting input, the non-inverting input set to the reference.
3. In TSSOP14 package, where V<sub>DDA</sub> pin is shared with V<sub>DD</sub> pin, I/O toggling should be minimized to reach the values given in the above table. I/O toggling with loaded I/O pins can generate ripple on V<sub>DD</sub>/V<sub>DDA</sub> and degrade the comparator performance.
4. Comparator consumption only. Internal reference voltage (necessary for comparator operation) is not included.

### 6.3.18 Timer characteristics

#### TIM timer characteristics

The parameters given in the [Table 61](#) are guaranteed by design.

Refer to [Section 6.3.13: I/O port characteristics](#) for details on the input/output alternate function characteristics (output compare, input capture, external clock, PWM output).

**Table 61. TIMx<sup>(1)</sup> characteristics**

| Symbol                 | Parameter  | Conditions                    | Min    | Max                     | Unit                 |
|------------------------|--|-------------------------------|--------|-------------------------|----------------------|
| t <sub>res(TIM)</sub>  | Timer resolution time  |                               | 1      | -                       | t <sub>TIMxCLK</sub> |
|                        |  | f <sub>TIMxCLK</sub> = 32 MHz | 31.25  | -                       | ns                   |
| f <sub>EXT</sub>       | Timer external clock frequency on CH1 to CH4   |                               | 0      | f <sub>TIMxCLK</sub> /2 | MHz                  |
|                        |  | f <sub>TIMxCLK</sub> = 32 MHz | 0      | 16                      | MHz                  |
| Res <sub>TIM</sub>     | Timer resolution   | -                             |        | 16                      | bit                  |
| t <sub>COUNTER</sub>   | 16-bit counter clock period when internal clock is selected (timer's prescaler disabled) |                               | 1      | 65536                   | t <sub>TIMxCLK</sub> |
|                        |  | f <sub>TIMxCLK</sub> = 32 MHz | 0.0312 | 2048                    | μs                   |
| t <sub>MAX_COUNT</sub> | Maximum possible count   |                               | -      | 65536 × 65536           | t <sub>TIMxCLK</sub> |
|                        |  | f <sub>TIMxCLK</sub> = 32 MHz | -      | 134.2                   | s                    |

1. TIMx is used as a general term to refer to the TIM2 and TIM21 timers.



### 6.3.19 Communications interfaces

#### I<sup>2</sup>C interface characteristics

The I<sup>2</sup>C interface meets the timings requirements of the I<sup>2</sup>C-bus specification and user manual rev. 03 for:

- Standard-mode (Sm) : with a bit rate up to 100 kbit/s
- Fast-mode (Fm) : with a bit rate up to 400 kbit/s
- Fast-mode Plus (Fm+) : with a bit rate up to 1 Mbit/s.

The I<sup>2</sup>C timing requirements are guaranteed by design when the I<sup>2</sup>C peripheral is properly configured (refer to the reference manual for details) and when the I2CCLK frequency is greater than the minimum given in [Table 63](#). The SDA and SCL I/O requirements are met with the following restrictions: the SDA and SCL I/O pins are not "true" open-drain. When configured as open-drain, the PMOS connected between the I/O pin and VDDIOx is disabled, but is still present. Only FTf I/O pins support Fm+ low level output current maximum requirement (refer to [Section 6.3.13: I/O port characteristics](#) for the I2C I/Os characteristics).

All I<sup>2</sup>C SDA and SCL I/Os embed an analog filter (see [Table 62](#) for the analog filter characteristics).

The analog spike filter is compliant with I<sup>2</sup>C timings requirements only for the following voltage ranges:

- Fast mode Plus: 2.7 V ≤ V<sub>DD</sub> ≤ 3.6 V and voltage scaling Range 1
- Fast mode:
  - 2 V ≤ V<sub>DD</sub> ≤ 3.6 V and voltage scaling Range 1 or Range 2.
  - V<sub>DD</sub> < 2 V, voltage scaling Range 1 or Range 2, C<sub>load</sub> < 200 pF.

In other ranges, the analog filter should be disabled. The digital filter can be used instead.

*Note: In Standard mode, no spike filter is required.*

**Table 62. I2C analog filter characteristics<sup>(1)</sup>**

| Symbol          | Parameter  | Conditions | Min               | Max                | Unit |
|-----------------|--|------------|-------------------|--------------------|------|
| t <sub>AF</sub> | Maximum pulse width of spikes that are suppressed by the analog filter | Range 1    | 50 <sup>(2)</sup> | 260 <sup>(3)</sup> | ns   |
|                 |  | Range 2    |                   | -                  |      |
|                 |  | Range 3    |                   | -                  |      |

1. Guaranteed by characterization results.
2. Spikes with widths below t<sub>AF(min)</sub> are filtered.
3. Spikes with widths above t<sub>AF(max)</sub> are not filtered

Table 63. I2C frequency in all I2C modes

| Symbol       | Parameter           | Condition      | Min                           | Unit |    |
|--------------|---------------------|----------------|-------------------------------|------|----|
| $f_{I2CCLK}$ | I2C clock frequency | Standard-mode  | 2                             | MHz  |    |
|              |                     | Fast-mode      | 8                             |      |    |
|              |                     | Fast-mode Plus | Analog filter ON,<br>DNF = 0  |      | 18 |
|              |                     |                | Analog filter OFF,<br>DNF = 1 |      | 16 |



**SPI characteristics**

Unless otherwise specified, the parameters given in the following tables are derived from tests performed under ambient temperature,  $f_{PCLKx}$  frequency and  $V_{DD}$  supply voltage conditions summarized in [Table 18](#).

Refer to [Section 6.3.12: I/O current injection characteristics](#) for more details on the input/output alternate function characteristics (NSS, SCK, MOSI, MISO).

**Table 64. SPI characteristics in voltage Range 1 <sup>(1)</sup>**

| Symbol                         | Parameter                         | Conditions                                       | Min     | Typ   | Max               | Unit |
|--------------------------------|-----------------------------------|--|---------|-------|-------------------|------|
| $f_{SCK}$<br>$1/t_{c(SCK)}$    | SPI clock frequency               | Master mode                                      | -       | -     | 16                | MHz  |
|                                |                                   | Slave mode receiver                              | -       | -     | 16                |      |
|                                |                                   | Slave mode Transmitter<br>$1.71 < V_{DD} < 3.6V$ | -       | -     | 12 <sup>(2)</sup> |      |
|                                |                                   | Slave mode Transmitter<br>$2.7 < V_{DD} < 3.6V$  | -       | -     | 16 <sup>(2)</sup> |      |
| Duty <sub>(SCK)</sub>          | Duty cycle of SPI clock frequency | Slave mode                                       | 30      | 50    | 70                | %    |
| $t_{su(NSS)}$                  | NSS setup time                    | Slave mode, SPI presc = 2                        | 4Tpclk  | -     | -                 | ns   |
| $t_{h(NSS)}$                   | NSS hold time                     | Slave mode, SPI presc = 2                        | 2Tpclk  | -     | -                 |      |
| $t_{w(SCKH)}$<br>$t_{w(SCKL)}$ | SCK high and low time             | Master mode                                      | Tpclk-2 | Tpclk | Tpclk+2           |      |
| $t_{su(MI)}$                   | Data input setup time             | Master mode                                      | 3       | -     | -                 |      |
| $t_{su(SI)}$                   |                                   | Slave mode                                       | 3       | -     | -                 |      |
| $t_{h(MI)}$                    | Data input hold time              | Master mode                                      | 3.5     | -     | -                 |      |
| $t_{h(SI)}$                    |                                   | Slave mode                                       | 0       | -     | -                 |      |
| $t_{a(SO)}$                    | Data output access time           | Slave mode                                       | 15      | -     | 36                |      |
| $t_{dis(SO)}$                  | Data output disable time          | Slave mode                                       | 10      | -     | 30                |      |
| $t_{v(SO)}$                    | Data output valid time            | Slave mode $1.71 < V_{DD} < 3.6V$                | -       | 14    | 35                |      |
|                                |                                   | Slave mode $2.7 < V_{DD} < 3.6V$                 | -       | 14    | 20                |      |
| $t_{v(MO)}$                    |                                   | Master mode                                      | -       | 4     | 6                 |      |
| $t_{h(SO)}$                    | Data output hold time             | Slave mode                                       | 10      | -     | -                 |      |
| $t_{h(MO)}$                    |                                   | Master mode                                      | 3       | -     | -                 |      |

1. Guaranteed by characterization results, not tested in production.
2. The maximum SPI clock frequency in slave transmitter mode is determined by the sum of  $t_{v(SO)}$  and  $t_{su(MI)}$  which has to fit into SCK low or high phase preceding the SCK sampling edge. This value can be achieved when the SPI communicates with a master having  $t_{su(MI)} = 0$  while Duty<sub>(SCK)</sub> = 50%.



Table 65. SPI characteristics in voltage Range 2 <sup>(1)</sup>

| Symbol                         | Parameter                         | Conditions                                       | Min     | Typ   | Max              | Unit |
|--------------------------------|-----------------------------------|--|---------|-------|------------------|------|
| $f_{SCK}$<br>$1/t_{c(SCK)}$    | SPI clock frequency               | Master mode                                      | -       | -     | 8                | MHz  |
|                                |                                   | Slave mode Transmitter<br>$1.65 < V_{DD} < 3.6V$ |         |       | 8                |      |
|                                |                                   | Slave mode Transmitter<br>$2.7 < V_{DD} < 3.6V$  |         |       | 8 <sup>(2)</sup> |      |
| Duty <sub>(SCK)</sub>          | Duty cycle of SPI clock frequency | Slave mode                                       | 30      | 50    | 70               | %    |
| $t_{su(NSS)}$                  | NSS setup time                    | Slave mode, SPI presc = 2                        | 4Tpclk  | -     | -                | ns   |
| $t_{h(NSS)}$                   | NSS hold time                     | Slave mode, SPI presc = 2                        | 2Tpclk  | -     | -                |      |
| $t_{w(SCKH)}$<br>$t_{w(SCKL)}$ | SCK high and low time             | Master mode                                      | Tpclk-2 | Tpclk | Tpclk+2          |      |
| $t_{su(MI)}$                   | Data input setup time             | Master mode                                      | 3       | -     | -                |      |
| $t_{su(SI)}$                   |                                   | Slave mode                                       | 3       | -     | -                |      |
| $t_{h(MI)}$                    | Data input hold time              | Master mode                                      | 6       | -     | -                |      |
| $t_{h(SI)}$                    |                                   | Slave mode                                       | 2       | -     | -                |      |
| $t_{a(SO)}$                    | Data output access time           | Slave mode                                       | 18      | -     | 52               |      |
| $t_{dis(SO)}$                  | Data output disable time          | Slave mode                                       | 12      | -     | 42               |      |
| $t_{v(SO)}$                    | Data output valid time            | Slave mode                                       | -       | 16    | 33               |      |
|                                |                                   | Master mode                                      | -       | 4     | 6                |      |
| $t_{v(MO)}$                    | Data output hold time             | Slave mode                                       | 11      | -     | -                |      |
| $t_{h(SO)}$                    |                                   | Master mode                                      | 3       | -     | -                |      |

1. Guaranteed by characterization results, not tested in production.
2. The maximum SPI clock frequency in slave transmitter mode is determined by the sum of  $t_{v(SO)}$  and  $t_{su(MI)}$  which has to fit into SCK low or high phase preceding the SCK sampling edge. This value can be achieved when the SPI communicates with a master having  $t_{su(MI)} = 0$  while Duty<sub>(SCK)</sub> = 50%.



Table 66. SPI characteristics in voltage Range 3 <sup>(1)</sup>

| Symbol                         | Parameter                         | Conditions                | Min     | Typ   | Max       | Unit |
|--------------------------------|-----------------------------------|---------------------------|---------|-------|-----------|------|
| $f_{SCK}$<br>$1/t_{c(SCK)}$    | SPI clock frequency               | Master mode               | -       | -     | 2         | MHz  |
|                                |                                   | Slave mode                |         |       | $2^{(2)}$ |      |
| $Duty_{(SCK)}$                 | Duty cycle of SPI clock frequency | Slave mode                | 30      | 50    | 70        | %    |
| $t_{su(NSS)}$                  | NSS setup time                    | Slave mode, SPI presc = 2 | 4Tpclk  | -     | -         | ns   |
| $t_{h(NSS)}$                   | NSS hold time                     | Slave mode, SPI presc = 2 | 2Tpclk  | -     | -         |      |
| $t_{w(SCKH)}$<br>$t_{w(SCKL)}$ | SCK high and low time             | Master mode               | Tpclk-2 | Tpclk | Tpclk+2   |      |
| $t_{su(MI)}$                   | Data input setup time             | Master mode               | 3       | -     | -         |      |
| $t_{su(SI)}$                   |                                   | Slave mode                | 3       | -     | -         |      |
| $t_{h(MI)}$                    | Data input hold time              | Master mode               | 16      | -     | -         |      |
| $t_{h(SI)}$                    |                                   | Slave mode                | 14      | -     | -         |      |
| $t_{a(SO)}$                    | Data output access time           | Slave mode                | 30      | -     | 70        |      |
| $t_{dis(SO)}$                  | Data output disable time          | Slave mode                | 40      | -     | 80        |      |
| $t_{v(SO)}$                    | Data output valid time            | Slave mode                | -       | 26.5  | 47        |      |
|                                |                                   | Master mode               | -       | 4     | 6         |      |
| $t_{v(MO)}$                    | Data output hold time             | Slave mode                | 20      | -     | -         |      |
| $t_{h(SO)}$                    |                                   | Master mode               | 3       | -     | -         |      |

1. Guaranteed by characterization results, not tested in production.
2. The maximum SPI clock frequency in slave transmitter mode is determined by the sum of  $t_{v(SO)}$  and  $t_{su(MI)}$  which has to fit into SCK low or high phase preceding the SCK sampling edge. This value can be achieved when the SPI communicates with a master having  $t_{su(MI)} = 0$  while  $Duty_{(SCK)} = 50\%$ .

Figure 29. SPI timing diagram - slave mode and CPHA = 0

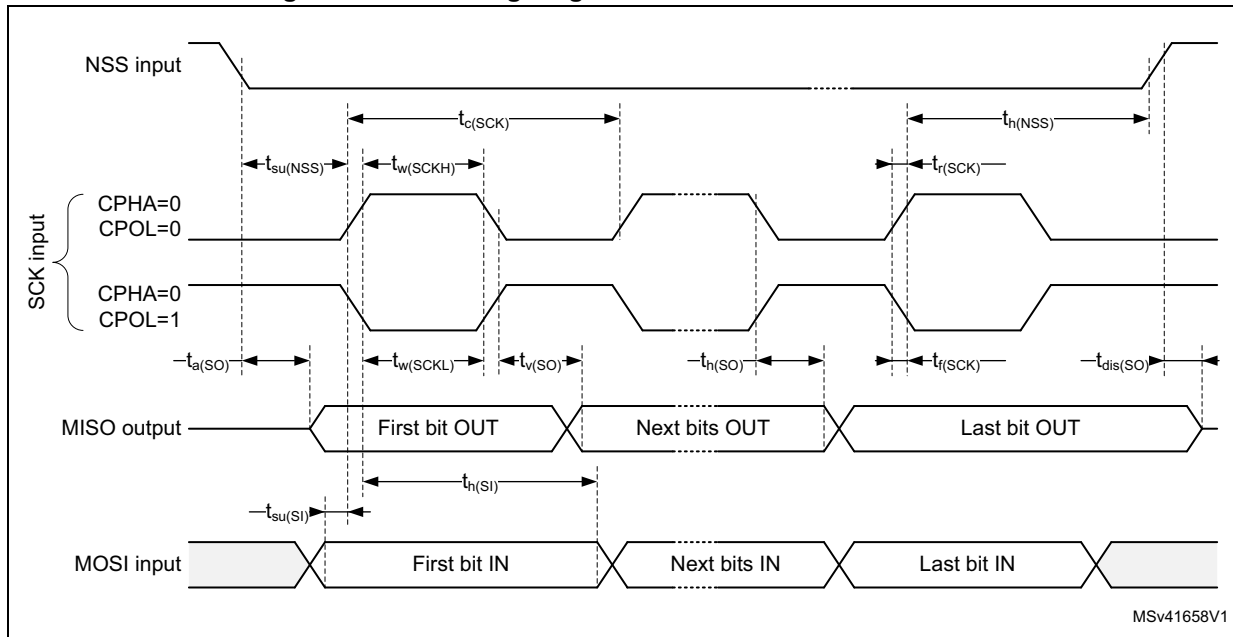
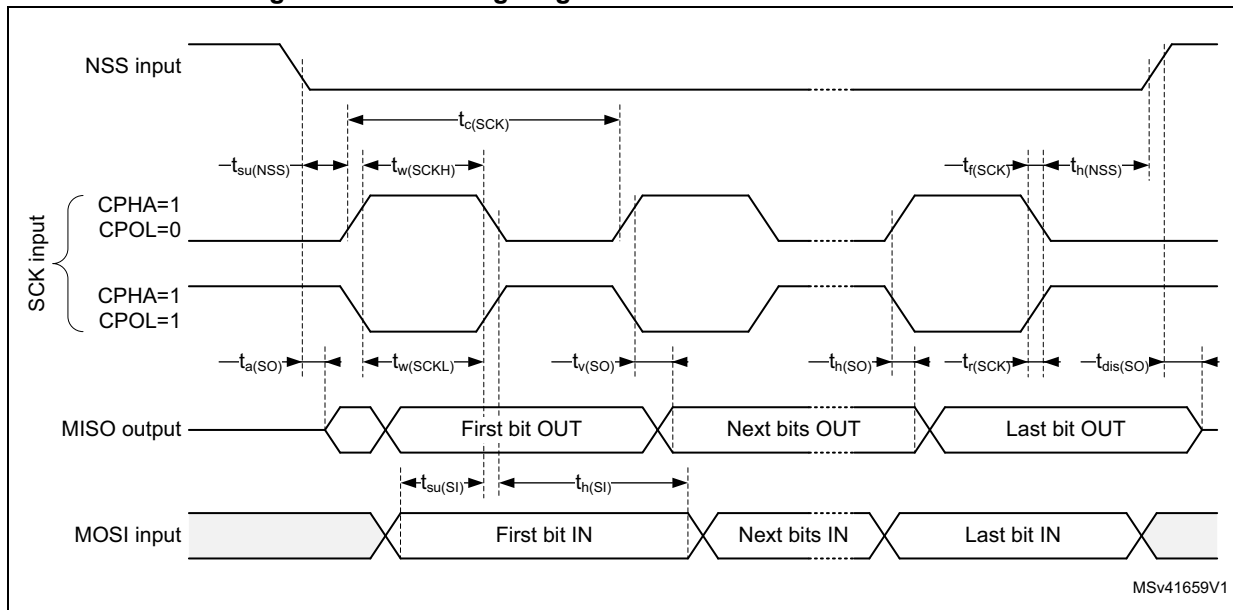
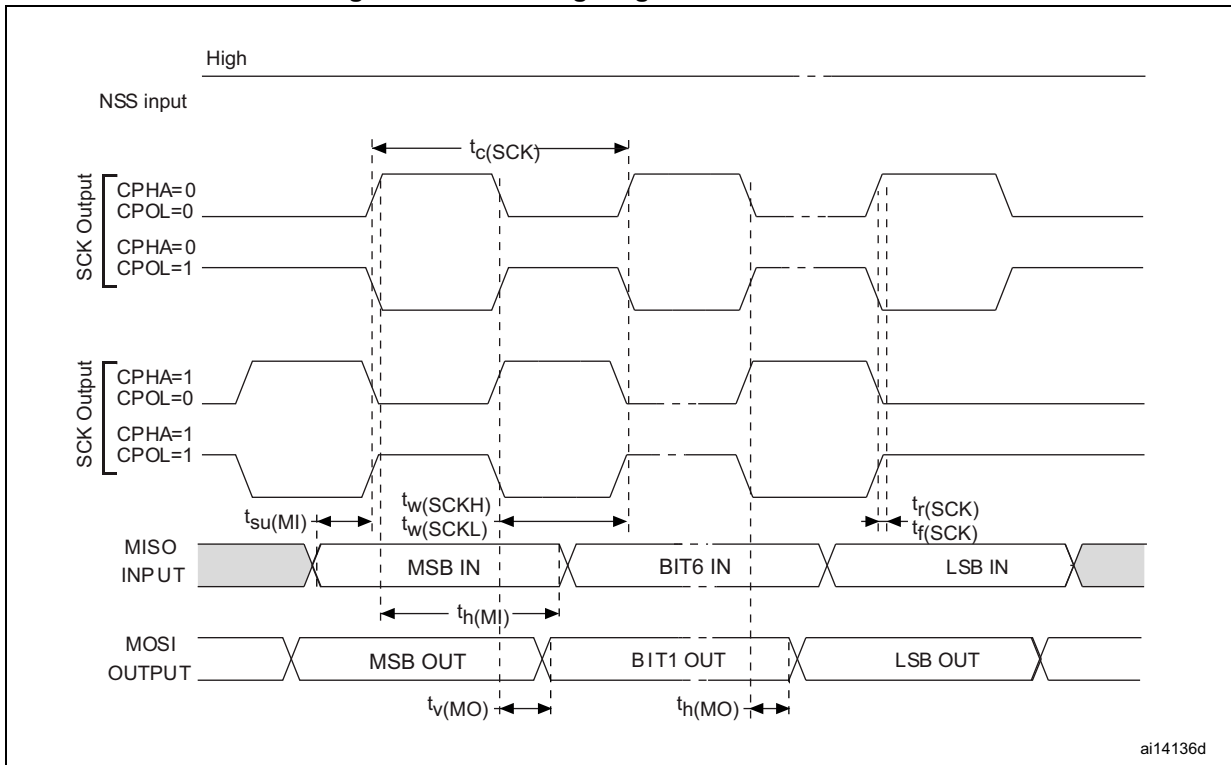


Figure 30. SPI timing diagram - slave mode and CPHA = 1<sup>(1)</sup>



1. Measurement points are done at CMOS levels: 0.3V<sub>DD</sub> and 0.7V<sub>DD</sub>.

Figure 31. SPI timing diagram - master mode<sup>(1)</sup>



1. Measurement points are done at CMOS levels:  $0.3V_{DD}$  and  $0.7V_{DD}$ .

# 7 Package information

In order to meet environmental requirements, ST offers these devices in different grades of ECOPACK<sup>®</sup> packages, depending on their level of environmental compliance. ECOPACK<sup>®</sup> specifications, grade definitions and product status are available at <http://www.st.com>. ECOPACK<sup>®</sup> is an ST trademark.

## 7.1 LQFP32 package information

Figure 32. LQFP32 - 32-pin, 7 x 7 mm, 32-pin low-profile quad flat package outline



1. Drawing is not to scale.

**Table 67. LQFP32 - 32-pin, 7 x 7 mm, 32-pin low-profile quad flat package mechanical data**

| Symbol | millimeters |       |       | inches <sup>(1)</sup> |        |        |
|--------|-------------|-------|-------|-----------------------|--------|--------|
|        | Min         | Typ   | Max   | Min                   | Typ    | Max    |
| A      | -           | -     | 1.600 | -                     | -      | 0.0630 |
| A1     | 0.050       | -     | 0.150 | 0.0020                | -      | 0.0059 |
| A2     | 1.350       | 1.400 | 1.450 | 0.0531                | 0.0551 | 0.0571 |
| b      | 0.300       | 0.370 | 0.450 | 0.0118                | 0.0146 | 0.0177 |
| c      | 0.090       | -     | 0.200 | 0.0035                | -      | 0.0079 |
| D      | 8.800       | 9.000 | 9.200 | 0.3465                | 0.3543 | 0.3622 |
| D1     | 6.800       | 7.000 | 7.200 | 0.2677                | 0.2756 | 0.2835 |
| D3     | -           | 5.600 | -     | -                     | 0.2205 | -      |
| E      | 8.800       | 9.000 | 9.200 | 0.3465                | 0.3543 | 0.3622 |
| E1     | 6.800       | 7.000 | 7.200 | 0.2677                | 0.2756 | 0.2835 |
| E3     | -           | 5.600 | -     | -                     | 0.2205 | -      |
| e      | -           | 0.800 | -     | -                     | 0.0315 | -      |
| L      | 0.450       | 0.600 | 0.750 | 0.0177                | 0.0236 | 0.0295 |
| L1     | -           | 1.000 | -     | -                     | 0.0394 | -      |
| ccc    | -           | -     | 0.100 | -                     | -      | 0.0039 |
| k      | 0°          | 3.5°  | 7°    | 0°                    | 3.5°   | 7°     |

1. Values in inches are converted from mm and rounded to 4 decimal digits.

**Figure 33. LQFP32 recommended footprint**



1. Dimensions are expressed in millimeters.

### LQFP32 device marking

The following figure gives an example of topside marking versus pin 1 position identifier location.

Other optional marking or inset/upset marks, which depends assembly location, are not indicated below.

Figure 34. Example of LQFP32 marking (package top view)

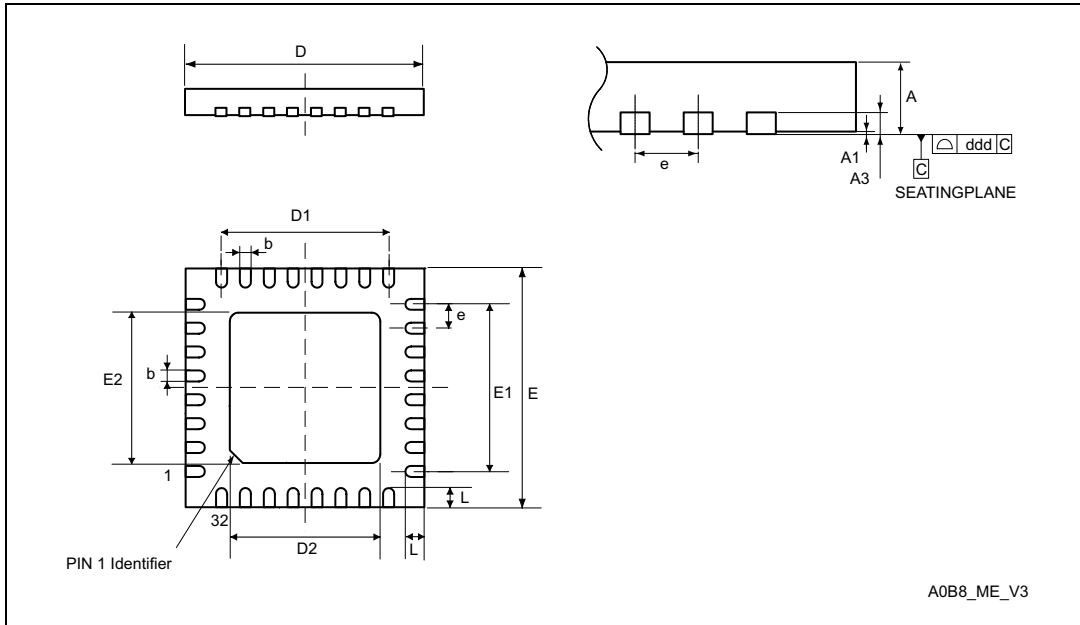


1. Parts marked as “ES”, “E” or accompanied by an Engineering Sample notification letter, are not yet qualified and therefore not yet ready to be used in production and any consequences deriving from such usage will not be at ST charge. In no event, ST will be liable for any customer usage of these engineering samples in production. ST Quality has to be contacted prior to any decision to use these Engineering samples to run qualification activity.



## 7.2 UFQFPN32 package information

Figure 35. UFQFPN32 - 32-pin, 5x5 mm, 0.5 mm pitch ultra thin fine pitch quad flat package outline



1. Drawing is not to scale.
2. There is an exposed die pad on the underside of the UFQFPN package. It is recommended to connect and solder this backside pad to PCB ground.

**Table 68. UFQFPN32 - 32-pin, 5x5 mm, 0.5 mm pitch ultra thin fine pitch quad flat package mechanical data**

| Symbol | millimeters |       |       | inches <sup>(1)</sup> |        |        |
|--------|-------------|-------|-------|-----------------------|--------|--------|
|        | Min         | Typ   | Max   | Min                   | Typ    | Max    |
| A      | 0.500       | 0.550 | 0.600 | 0.0197                | 0.0217 | 0.0236 |
| A1     | -           | -     | 0.050 | -                     | -      | 0.0020 |
| A3     | -           | 0.152 | -     | -                     | 0.0060 | -      |
| b      | 0.180       | 0.230 | 0.280 | 0.0071                | 0.0091 | 0.0110 |
| D      | 4.900       | 5.000 | 5.100 | 0.1929                | 0.1969 | 0.2008 |
| D1     | 3.400       | 3.500 | 3.600 | 0.1339                | 0.1378 | 0.1417 |
| D2     | 3.400       | 3.500 | 3.600 | 0.1339                | 0.1378 | 0.1417 |
| E      | 4.900       | 5.000 | 5.100 | 0.1929                | 0.1969 | 0.2008 |
| E1     | 3.400       | 3.500 | 3.600 | 0.1339                | 0.1378 | 0.1417 |
| E2     | 3.400       | 3.500 | 3.600 | 0.1339                | 0.1378 | 0.1417 |
| e      | -           | 0.500 | -     | -                     | 0.0197 | -      |
| L      | 0.300       | 0.400 | 0.500 | 0.0118                | 0.0157 | 0.0197 |
| ddd    | -           | -     | 0.080 | -                     | -      | 0.0031 |

1. Values in inches are converted from mm and rounded to 4 decimal digits.

**Figure 36. UFQFPN32 recommended footprint**



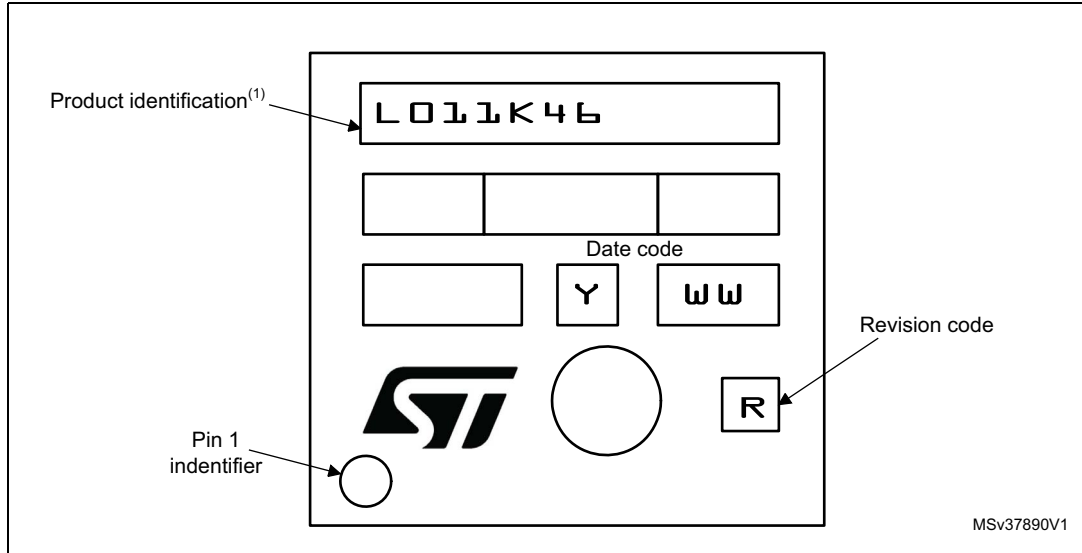
1. Dimensions are expressed in millimeters.

### Device marking

The following figure gives an example of topside marking versus pin 1 position identifier location.

Other optional marking or inset/upset marks, which depends assembly location, are not indicated below.

**Figure 37. Example of UFQFPN32 marking (package top view)**



1. Parts marked as "ES", "E" or accompanied by an Engineering Sample notification letter, are not yet qualified and therefore not yet ready to be used in production and any consequences deriving from such usage will not be at ST charge. In no event, ST will be liable for any customer usage of these engineering samples in production. ST Quality has to be contacted prior to any decision to use these Engineering samples to run qualification activity.

### 7.3 WLCSP25 package information

Figure 38. WLCSP25 - 25-ball, 2.133 x 2.070 mm, 0.4 mm pitch wafer level chip scale package outline



1. Drawing is not to scale.

Table 69. WLCSP25 - 25-ball, 2.133 x 2.070 mm, 0.4 mm pitch wafer level chip scale package mechanical data

| Symbol            | millimeters |        |       | inches <sup>(1)</sup> |        |        |
|-------------------|-------------|--------|-------|-----------------------|--------|--------|
|                   | Min         | Typ    | Max   | Min                   | Typ    | Max    |
| A                 | 0.525       | 0.555  | 0.585 | 0.0207                | 0.0219 | 0.0230 |
| A1                | -           | 0.175  | -     | -                     | 0.0069 | -      |
| A2                | -           | 0.380  | -     | -                     | 0.0150 | -      |
| A3 <sup>(2)</sup> | -           | 0.025  | -     | -                     | 0.0010 | -      |
| b <sup>(3)</sup>  | 0.220       | 0.250  | 0.280 | 0.0087                | 0.0098 | 0.0110 |
| D                 | 2.098       | 2.133  | 2.168 | 0.0826                | 0.0840 | 0.0854 |
| E                 | 2.035       | 2.070  | 2.105 | 0.0801                | 0.0815 | 0.0829 |
| e                 | -           | 0.400  | -     | -                     | 0.0157 | -      |
| e1                | -           | 1.600  | -     | -                     | 0.0630 | -      |
| e2                | -           | 1.600  | -     | -                     | 0.0630 | -      |
| F                 | -           | 0.2665 | -     | -                     | 0.0105 | -      |

**Table 69. WLCSP25 - 25-ball, 2.133 x 2.070 mm, 0.4 mm pitch wafer level chip scale package mechanical data (continued)**

| Symbol | millimeters |       |       | inches <sup>(1)</sup> |        |        |
|--------|-------------|-------|-------|-----------------------|--------|--------|
|        | Min         | Typ   | Max   | Min                   | Typ    | Max    |
| G      | -           | 0.235 | -     | -                     | 0.0093 | -      |
| aaa    | -           | -     | 0.100 | -                     | -      | 0.0039 |
| bbb    | -           | -     | 0.100 | -                     | -      | 0.0039 |
| ccc    | -           | -     | 0.100 | -                     | -      | 0.0039 |
| ddd    | -           | -     | 0.050 | -                     | -      | 0.0020 |
| eee    | -           | -     | 0.050 | -                     | -      | 0.0020 |

1. Values in inches are converted from mm and rounded to 4 decimal digits.
2. Back side coating.
3. Dimension is measured at the maximum bump diameter parallel to primary datum Z.

**Figure 39. WLCSP25 - 25-ball, 2.133 x 2.070 mm, 0.4 mm pitch wafer level chip scale package recommended footprint**



**Table 70. WLCSP25 recommended PCB design rules (0.4 mm pitch)**

| Dimension         | Recommended values   |
|-------------------|--|
| Pitch             | 0.4 mm   |
| Dpad              | 0.225 mm   |
| Dsm               | 0.290 mm typ. (depends on the soldermask registration tolerance) |
| Stencil opening   | 0.250 mm   |
| Stencil thickness | 0.100 mm   |

### Device marking

The following figure gives an example of topside marking versus ball A1 position identifier location.

Other optional marking or inset/upset marks, which depends assembly location, are not indicated below.

**Figure 40. Example of WLCSP25 marking (package top view)**



1. Parts marked as “ES”, “E” or accompanied by an Engineering Sample notification letter, are not yet qualified and therefore not yet ready to be used in production and any consequences deriving from such usage will not be at ST charge. In no event, ST will be liable for any customer usage of these engineering samples in production. ST Quality has to be contacted prior to any decision to use these Engineering samples to run qualification activity.

### 7.4 UFQFPN28 4 x 4 mm package information

Figure 41. UFQFPN28 - 28-lead, 4x4 mm, 0.5 mm pitch, ultra thin fine pitch quad flat package outline



1. Drawing is not to scale.

Table 71. UFQFPN28 - 28-lead, 4x4 mm, 0.5 mm pitch, ultra thin fine pitch quad flat package mechanical data<sup>(1)</sup>

| Symbol | millimeters |       |       | inches |        |        |
|--------|-------------|-------|-------|--------|--------|--------|
|        | Min         | Typ   | Max   | Min    | Typ    | Max    |
| A      | 0.500       | 0.550 | 0.600 | 0.0197 | 0.0217 | 0.0236 |
| A1     | -           | 0.000 | 0.050 | -      | 0.0000 | 0.0020 |
| D      | 3.900       | 4.000 | 4.100 | 0.1535 | 0.1575 | 0.1614 |
| D1     | 2.900       | 3.000 | 3.100 | 0.1142 | 0.1181 | 0.1220 |
| E      | 3.900       | 4.000 | 4.100 | 0.1535 | 0.1575 | 0.1614 |
| E1     | 2.900       | 3.000 | 3.100 | 0.1142 | 0.1181 | 0.1220 |
| L      | 0.300       | 0.400 | 0.500 | 0.0118 | 0.0157 | 0.0197 |
| L1     | 0.250       | 0.350 | 0.450 | 0.0098 | 0.0138 | 0.0177 |
| T      | -           | 0.152 | -     | -      | 0.0060 | -      |

Table 71. UFQFPN28 - 28-lead, 4x4 mm, 0.5 mm pitch, ultra thin fine pitch quad flat package mechanical data<sup>(1)</sup>

| Symbol | millimeters |       |       | inches |        |        |
|--------|-------------|-------|-------|--------|--------|--------|
|        | Min         | Typ   | Max   | Min    | Typ    | Max    |
| b      | 0.200       | 0.250 | 0.300 | 0.0079 | 0.0098 | 0.0118 |
| e      | -           | 0.500 | -     | -      | 0.0197 | -      |

1. Values in inches are converted from mm and rounded to 4 decimal digits.

Figure 42. UFQFPN28 recommended footprint



1. Dimensions are expressed in millimeters.

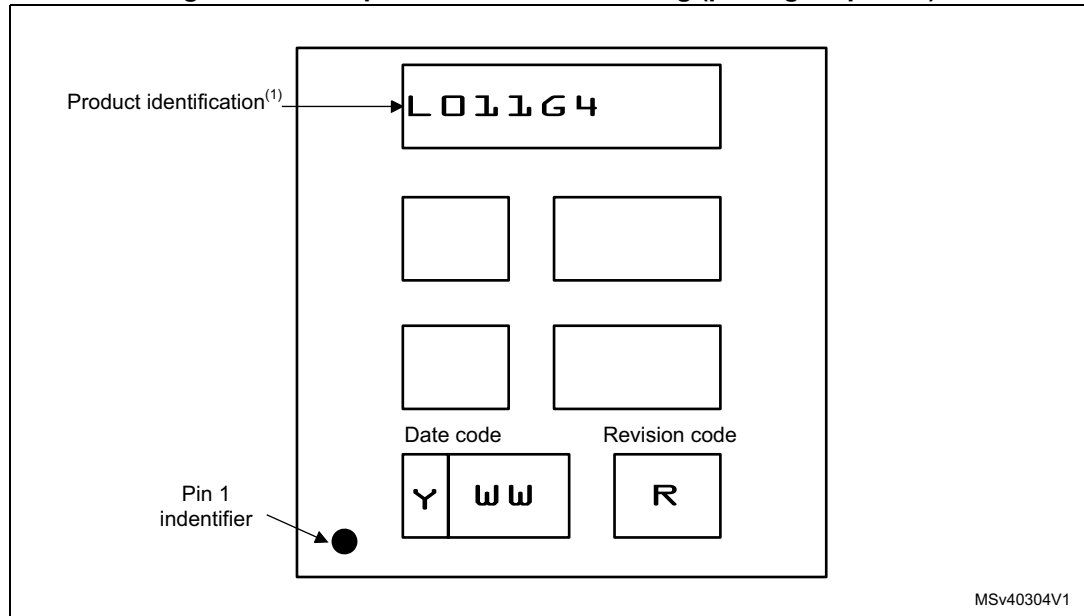


### UFQFPN28 device marking

The following figure gives an example of topside marking versus pin 1 position identifier location.

Other optional marking or inset/upset marks, which depends assembly location, are not indicated below.

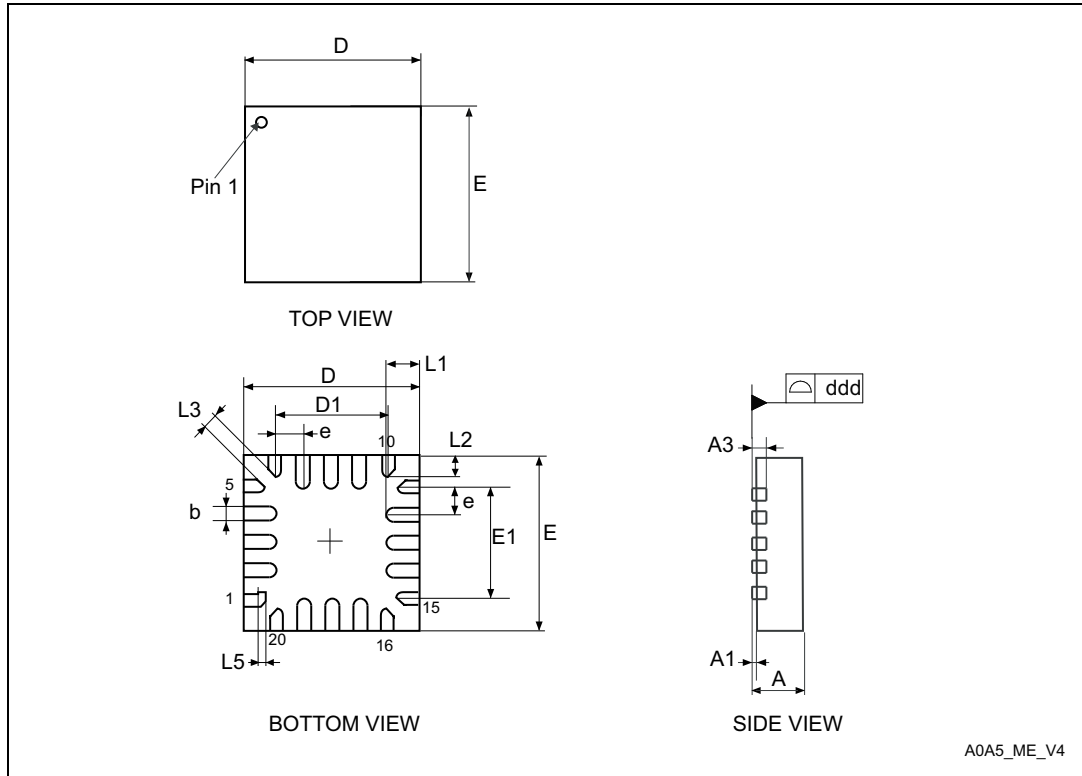
**Figure 43. Example of UFQFPN28 marking (package top view)**



1. Parts marked as "ES", "E" or accompanied by an Engineering Sample notification letter, are not yet qualified and therefore not yet ready to be used in production and any consequences deriving from such usage will not be at ST charge. In no event, ST will be liable for any customer usage of these engineering samples in production. ST Quality has to be contacted prior to any decision to use these Engineering samples to run qualification activity.

### 7.5 UFQFPN20 package information

Figure 44. UFQFPN20 - 20-lead, 3x3 mm, 0.5 mm pitch, ultra thin fine pitch quad flat package outline



1. Drawing is not to scale.

Table 72. UFQFPN20 - 20-lead, 3x3 mm, 0.5 mm pitch, ultra thin fine pitch quad flat package mechanical data

| Symbol | millimeters |       |       | inches <sup>(1)</sup> |        |        |
|--------|-------------|-------|-------|-----------------------|--------|--------|
|        | Min         | Typ   | Max   | Min                   | Typ    | Max    |
| A      | 0.500       | 0.550 | 0.600 | 0.0197                | 0.0217 | 0.0236 |
| A1     | 0.000       | 0.020 | 0.050 | 0.0000                | 0.0008 | 0.0020 |
| A3     | -           | 0.152 | -     | -                     | 0.060  | -      |
| D      | 2.900       | 3.000 | 3.100 | 0.1142                | 0.1181 | 0.1220 |
| D1     | -           | 2.000 | -     | -                     | 0.0790 | -      |
| E      | 2.900       | 3.000 | 3.100 | 0.1142                | 0.1181 | 0.1220 |
| E1     | -           | 2.000 | -     | -                     | 0.0790 | -      |
| L1     | 0.500       | 0.550 | 0.600 | 0.0197                | 0.0217 | 0.0236 |
| L2     | 0.300       | 0.350 | 0.400 | 0.0118                | 0.0138 | 0.0157 |
| L3     | -           | 0.200 | -     |                       | 0.0079 |        |
| L5     | -           | 0.150 | -     |                       | 0.0059 |        |

**Table 72. UFQFPN20 - 20-lead, 3x3 mm, 0.5 mm pitch, ultra thin fine pitch quad flat package mechanical data (continued)**

| Symbol | millimeters |       |       | inches <sup>(1)</sup> |        |        |
|--------|-------------|-------|-------|-----------------------|--------|--------|
|        | Min         | Typ   | Max   | Min                   | Typ    | Max    |
| b      | 0.180       | 0.250 | 0.300 | 0.0071                | 0.0098 | 0.0118 |
| e      | -           | 0.500 | -     | -                     | 0.0197 | -      |
| ddd    | -           | -     | 0.050 | -                     | -      | 0.0020 |

1. Values in inches are converted from mm and rounded to 4 decimal digits.

**Figure 45. UFQFPN20 - 20-lead, 3x3 mm, 0.5 mm pitch, ultra thin fine pitch quad flat package recommended footprint**



1. Dimensions are expressed in millimeters.

### UFQFPN20 device marking

The following figure gives an example of topside marking versus pin 1 position identifier location.

Other optional marking or inset/upset marks, which depends assembly location, are not indicated below.

**Figure 46. Example of UFQFPN20 marking (package top view)**



1. Parts marked as "ES", "E" or accompanied by an Engineering Sample notification letter, are not yet qualified and therefore not yet ready to be used in production and any consequences deriving from such usage will not be at ST charge. In no event, ST will be liable for any customer usage of these engineering samples in production. ST Quality has to be contacted prior to any decision to use these Engineering samples to run qualification activity.

### 7.6 TSSOP20 package information

Figure 47. TSSOP20 – 20-lead thin shrink small outline, 6.5 x 4.4 mm, 0.65 mm pitch, package outline



1. Drawing is not to scale.

Table 73. TSSOP20 – 20-lead thin shrink small outline, 6.5 x 4.4 mm, 0.65 mm pitch, package mechanical data

| Symbol            | millimeters |       |       | inches <sup>(1)</sup> |        |        |
|-------------------|-------------|-------|-------|-----------------------|--------|--------|
|                   | Min.        | Typ.  | Max.  | Min.                  | Typ.   | Max.   |
| A                 | -           | -     | 1.200 | -                     | -      | 0.0472 |
| A1                | 0.050       | -     | 0.150 | 0.0020                | -      | 0.0059 |
| A2                | 0.800       | 1.000 | 1.050 | 0.0315                | 0.0394 | 0.0413 |
| b                 | 0.190       | -     | 0.300 | 0.0075                | -      | 0.0118 |
| c                 | 0.090       | -     | 0.200 | 0.0035                | -      | 0.0079 |
| D <sup>(2)</sup>  | 6.400       | 6.500 | 6.600 | 0.2520                | 0.2559 | 0.2598 |
| E                 | 6.200       | 6.400 | 6.600 | 0.2441                | 0.2520 | 0.2598 |
| E1 <sup>(3)</sup> | 4.300       | 4.400 | 4.500 | 0.1693                | 0.1732 | 0.1772 |
| e                 | -           | 0.650 | -     | -                     | 0.0256 | -      |
| L                 | 0.450       | 0.600 | 0.750 | 0.0177                | 0.0236 | 0.0295 |
| L1                | -           | 1.000 | -     | -                     | 0.0394 | -      |

**Table 73. TSSOP20 – 20-lead thin shrink small outline, 6.5 x 4.4 mm, 0.65 mm pitch, package mechanical data (continued)**

| Symbol | millimeters |      |       | inches <sup>(1)</sup> |      |        |
|--------|-------------|------|-------|-----------------------|------|--------|
|        | Min.        | Typ. | Max.  | Min.                  | Typ. | Max.   |
| k      | 0°          | -    | 8°    | 0°                    | -    | 8°     |
| aaa    | -           | -    | 0.100 | -                     | -    | 0.0039 |

1. Values in inches are converted from mm and rounded to four decimal digits.
2. Dimension "D" does not include mold flash, protrusions or gate burrs. Mold flash, protrusions or gate burrs shall not exceed 0.15mm per side.
3. Dimension "E1" does not include interlead flash or protrusions. Interlead flash or protrusions shall not exceed 0.25mm per side.

**Figure 48. TSSOP20 – 20-lead thin shrink small outline, 6.5 x 4.4 mm, 0.65 mm pitch, package footprint**



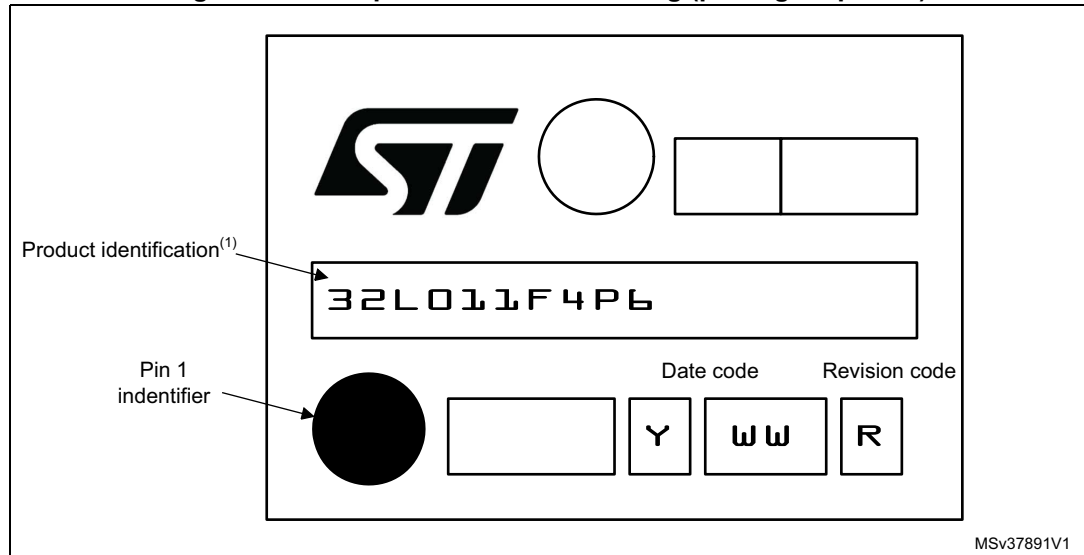
1. Dimensions are expressed in millimeters.

### Device marking

The following figure gives an example of topside marking versus pin 1 position identifier location.

Other optional marking or inset/upset marks, which depends assembly location, are not indicated below.

Figure 49. Example of TSSOP20 marking (package top view)



1. Parts marked as “ES”, “E” or accompanied by an Engineering Sample notification letter, are not yet qualified and therefore not yet ready to be used in production and any consequences deriving from such usage will not be at ST charge. In no event, ST will be liable for any customer usage of these engineering samples in production. ST Quality has to be contacted prior to any decision to use these Engineering samples to run qualification activity.

## 7.7 TSSOP14 package information

Figure 50. TSSOP14 – 14-lead thin shrink small outline, 5.0 x 4.4 mm, 0.65 mm pitch, package outline



1. Drawing is not to scale.

Table 74. TSSOP14 – 14-lead thin shrink small outline, 5 x 4.4 mm, 0.65 mm pitch, package mechanical data

| Symbol | millimeters |       |       | inches <sup>(1)</sup> |        |        |
|--------|-------------|-------|-------|-----------------------|--------|--------|
|        | Min.        | Typ.  | Max.  | Min.                  | Typ.   | Max.   |
| A      | -           | -     | 1.200 | -                     | -      | 0.0472 |
| A1     | 0.050       | -     | 0.150 | 0.0020                | -      | 0.0059 |
| A2     | 0.800       | 1.000 | 1.050 | 0.0315                | 0.0394 | 0.0413 |
| b      | 0.190       | -     | 0.300 | 0.0075                | -      | 0.0118 |
| c      | 0.090       | -     | 0.200 | 0.0035                | -      | 0.0079 |
| D      | 4.900       | 5.000 | 5.100 | 0.1929                | 0.1969 | 0.2008 |
| E      | 6.200       | 6.400 | 6.600 | 0.2441                | 0.2520 | 0.2598 |
| E1     | 4.300       | 4.400 | 4.500 | 0.1693                | 0.1732 | 0.1772 |
| e      | -           | 0.650 | -     | -                     | 0.0256 | -      |
| L      | 0.450       | 0.600 | 0.750 | 0.0177                | 0.0236 | 0.0295 |
| L1     | -           | 1.000 | -     | -                     | 0.0394 | -      |
| k      | 0°          | -     | 8°    | 0°                    | -      | 8°     |
| aaa    | -           | -     | 0.100 | -                     | -      | 0.0039 |

1. Values in inches are converted from mm and rounded to four decimal digits.

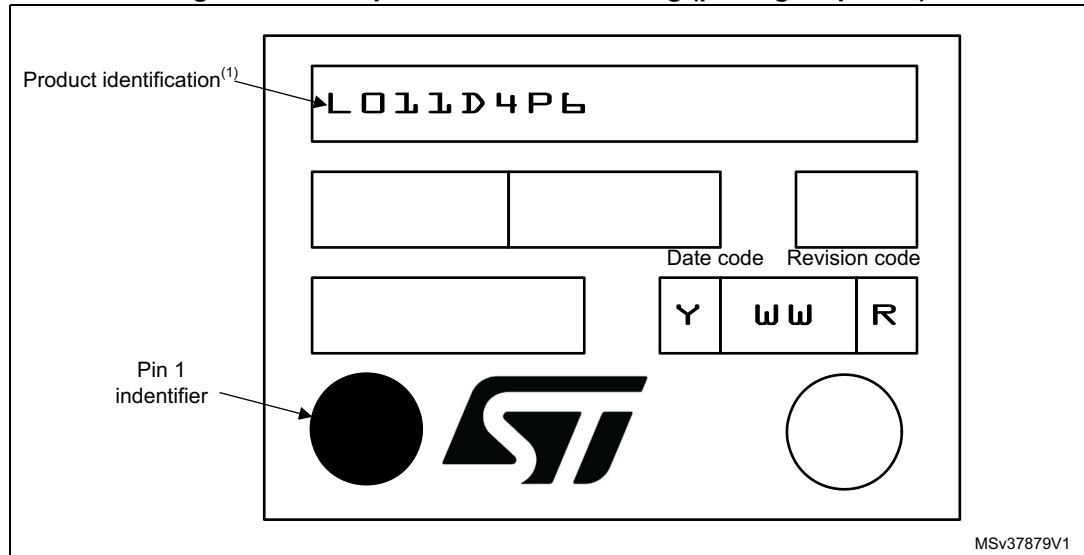


### TSSOP14 device marking

The following figure gives an example of topside marking versus pin 1 position identifier location.

Other optional marking or inset/upset marks, which depends assembly location, are not indicated below.

**Figure 51. Example of TSSOP14 marking (package top view)**



1. Parts marked as “ES”, “E” or accompanied by an Engineering Sample notification letter, are not yet qualified and therefore not yet ready to be used in production and any consequences deriving from such usage will not be at ST charge. In no event, ST will be liable for any customer usage of these engineering samples in production. ST Quality has to be contacted prior to any decision to use these Engineering samples to run qualification activity.

## 7.8 Thermal characteristics

The maximum chip-junction temperature,  $T_J \text{ max}$ , in degrees Celsius, may be calculated using the following equation:

$$T_J \text{ max} = T_A \text{ max} + (P_D \text{ max} \times \Theta_{JA})$$

Where:

- $T_A \text{ max}$  is the maximum ambient temperature in °C,
- $\Theta_{JA}$  is the package junction-to-ambient thermal resistance, in °C/W,
- $P_D \text{ max}$  is the sum of  $P_{INT \text{ max}}$  and  $P_{I/O \text{ max}}$  ( $P_D \text{ max} = P_{INT \text{ max}} + P_{I/O \text{ max}}$ ),
- $P_{INT \text{ max}}$  is the product of  $I_{DD}$  and  $V_{DD}$ , expressed in Watts. This is the maximum chip internal power.

$P_{I/O \text{ max}}$  represents the maximum power dissipation on output pins where:

$$P_{I/O \text{ max}} = \Sigma (V_{OL} \times I_{OL}) + \Sigma (V_{DD} - V_{OH}) \times I_{OH},$$

taking into account the actual  $V_{OL} / I_{OL}$  and  $V_{OH} / I_{OH}$  of the I/Os at low and high level in the application.

Table 75. Thermal characteristics

| Symbol        | Parameter   | Value | Unit |
|---------------|---|-------|------|
| $\theta_{JA}$ | Thermal resistance junction-ambient<br>LQFP32 - 7 x 7 mm / 0.8 mm pitch         | 60    | °C/W |
|               | Thermal resistance junction-ambient<br>UFQFPN32 - 5 x 5 mm / 0.5 mm pitch       | 39    |      |
|               | Thermal resistance junction-ambient<br>WLCSP25 - 2.133 x 2.070 mm, 0.4 mm pitch | 70    |      |
|               | Thermal resistance junction-ambient<br>UFQFPN28 - 4 x 4 mm, 0.5 mm pitch        | 97    |      |
|               | Thermal resistance junction-ambient<br>UFQFPN20 - 3 x 3 mm, 0.5 mm pitch        | 102   |      |
|               | Thermal resistance junction-ambient<br>TSSOP20 - 169 mils                       | 74    |      |
|               | Thermal resistance junction-ambient<br>TSSOP14 - 169 mils                       | 95    |      |

Figure 52. Thermal resistance



1. The above curves are valid for range 3.

### 7.8.1 Reference document

JESD51-2 Integrated Circuits Thermal Test Method Environment Conditions - Natural Convection (Still Air). Available from [www.jedec.org](http://www.jedec.org).

# 8 Ordering information

**Table 76. STM32L011x3/4 ordering information scheme**

| Example:   | STM32  | L | 011 | K | 4 | T | 6 | D | xxx |
|--|--|---|-----|---|---|---|---|---|-----|
| Device family  | <div style="border-left: 1px solid black; border-right: 1px solid black; border-bottom: 1px solid black; height: 100%; position: relative;"> <div style="position: absolute; top: 0; left: 0; right: 0; border-bottom: 1px solid black; height: 100%;"></div> </div> |   |     |   |   |   |   |   |     |
| STM32 = Arm-based 32-bit microcontroller                           |  |   |     |   |   |   |   |   |     |
| Product type   |  |   |     |   |   |   |   |   |     |
| L = Low power  |  |   |     |   |   |   |   |   |     |
| Device subfamily   |  |   |     |   |   |   |   |   |     |
| 011 = Access line  |  |   |     |   |   |   |   |   |     |
| Pin count  |  |   |     |   |   |   |   |   |     |
| K = 32 pins  |  |   |     |   |   |   |   |   |     |
| G = 28 pins  |  |   |     |   |   |   |   |   |     |
| E = 25 pins  |  |   |     |   |   |   |   |   |     |
| F = 20 pins  |  |   |     |   |   |   |   |   |     |
| D = 14 pins  |  |   |     |   |   |   |   |   |     |
| Flash memory size  | <div style="border-left: 1px solid black; border-right: 1px solid black; border-bottom: 1px solid black; height: 100%; position: relative;"> <div style="position: absolute; top: 0; left: 0; right: 0; border-bottom: 1px solid black; height: 100%;"></div> </div> |   |     |   |   |   |   |   |     |
| 3 = 8 Kbytes   |  |   |     |   |   |   |   |   |     |
| 4 = 16 Kbytes  |  |   |     |   |   |   |   |   |     |
| Package  | <div style="border-left: 1px solid black; border-right: 1px solid black; border-bottom: 1px solid black; height: 100%; position: relative;"> <div style="position: absolute; top: 0; left: 0; right: 0; border-bottom: 1px solid black; height: 100%;"></div> </div> |   |     |   |   |   |   |   |     |
| T = LQFP   |  |   |     |   |   |   |   |   |     |
| U = UFQFPN   |  |   |     |   |   |   |   |   |     |
| Y = WLCSP  |  |   |     |   |   |   |   |   |     |
| P = TSSOP  |  |   |     |   |   |   |   |   |     |
| Temperature range  | <div style="border-left: 1px solid black; border-right: 1px solid black; border-bottom: 1px solid black; height: 100%; position: relative;"> <div style="position: absolute; top: 0; left: 0; right: 0; border-bottom: 1px solid black; height: 100%;"></div> </div> |   |     |   |   |   |   |   |     |
| 6 = Industrial temperature range, -40 to 85 °C                     |  |   |     |   |   |   |   |   |     |
| 7 = Industrial temperature range, -40 to 105 °C                    |  |   |     |   |   |   |   |   |     |
| 3 = Industrial temperature range, -40 to 125 °C                    |  |   |     |   |   |   |   |   |     |
| Options  | <div style="border-left: 1px solid black; border-right: 1px solid black; border-bottom: 1px solid black; height: 100%; position: relative;"> <div style="position: absolute; top: 0; left: 0; right: 0; border-bottom: 1px solid black; height: 100%;"></div> </div> |   |     |   |   |   |   |   |     |
| No character = V <sub>DD</sub> range: 1.8 to 3.6 V and BOR enabled |  |   |     |   |   |   |   |   |     |
| D = V <sub>DD</sub> range: 1.65 to 3.6 V and BOR disabled          |  |   |     |   |   |   |   |   |     |
| Packing  | <div style="border-left: 1px solid black; border-right: 1px solid black; border-bottom: 1px solid black; height: 100%; position: relative;"> <div style="position: absolute; top: 0; left: 0; right: 0; border-bottom: 1px solid black; height: 100%;"></div> </div> |   |     |   |   |   |   |   |     |
| TR = tape and reel   |  |   |     |   |   |   |   |   |     |
| No character = tray or tube  |  |   |     |   |   |   |   |   |     |

For a list of available options (speed, package, etc.) or for further information on any aspect of this device, please contact your nearest ST sales office.



## 9 Revision history

**Table 77. Document revision history**

| Date        | Revision | Changes   |
|-------------|----------|---|
| 07-Dec-2015 | 1        | Initial release.  |
| 11-Feb-2016 | 2        | <p><b>Features:</b> modified current consumption in run mode, Cortex<sup>®</sup>-M0+ core frequency range and total number of timers.</p> <p>Updated ADC conversion consumption on cover page.</p> <p>Updated UFQFPN28 pinout: <a href="#">Figure 6: STM32L011x3/4 UFQFPN28 pinout</a> and <a href="#">Table 13: Pin definitions</a>.</p> <p>Updated <a href="#">Table 55: RAIN max for fADC = 16 MHz</a>.</p> <p>Modified TS_CAL2 description in <a href="#">Table 57: Temperature sensor calibration values</a>.</p>  |
| 18-Mar-2016 | 3        | <p>Changed minimum comparator supply voltage to 1.65 V on cover page.</p> <p>Added baudrate allowing to wake up the MCU from Stop mode in <a href="#">Section 3.15.3: Low-power universal asynchronous receiver transmitter (LPUART)</a>.</p> <p>Added number of fast and standard channels in <a href="#">Section 3.10: Analog-to-digital converter (ADC)</a>.</p> <p>Updated <a href="#">Table 16: Current characteristics</a> to add the total output current for STM32L011GxUx.</p> <p>Changed V<sub>DDA</sub> minimum value to 1.65 V.in <a href="#">Table 18: General operating conditions</a>.</p> <p>Updated <a href="#">Table 26: Current consumption in Sleep mode</a>, <a href="#">Table 27: Current consumption in Low-power Run mode</a>, <a href="#">Table 28: Current consumption in Low-power Sleep mode</a> and <a href="#">Table 30: Typical and maximum current consumptions in Standby mode</a>.</p> <p><a href="#">Section 6.3.15: 12-bit ADC characteristics:</a></p> <ul style="list-style-type: none"> <li>– <a href="#">Table 54: ADC characteristics:</a> <ul style="list-style-type: none"> <li>Distinction made between V<sub>DDA</sub> for fast and standard channels; added note <a href="#">1</a>.</li> <li>Updated condition for f<sub>TRIG</sub> measurement.</li> <li>Added note <a href="#">4</a>. related to R<sub>ADC</sub> and removed measurement condition.</li> <li>Updated t<sub>S</sub> and t<sub>CONV</sub>.</li> </ul> </li> <li>– Updated equation 1 description.</li> <li>– Updated <a href="#">Table 55: RAIN max for fADC = 16 MHz</a> for f<sub>ADC</sub> = 16 MHz and distinction made between fast and standard channels.</li> <li>– Updated measurement condition in <a href="#">Table 56: ADC accuracy</a>.</li> </ul> <p>Added <a href="#">Table 63: USART/LPUART characteristics</a>.</p> |

Table 77. Document revision history

| Date        | Revision | Changes  |
|-------------|----------|--|
| 20-Jun-2016 | 4        | <p>Updated:</p> <ul style="list-style-type: none"> <li>– <a href="#">Features</a> in cover page: Stop mode values, channels' number of DMA controller, I/Os' number, number of peripherals communication interface.</li> <li>– <a href="#">Table 27: Current consumption in Low-power Run mode</a>, <a href="#">Table 28: Current consumption in Low-power Sleep mode</a>, <a href="#">Table 34: Low-power mode wakeup timings</a>, <a href="#">Table 36: Low-speed external user clock characteristics</a></li> </ul>   |
| 12-Sep-2017 | 5        | <p>Removed I/O operation from <a href="#">Table 3: Functionalities depending on the operating power supply range</a>.</p> <p>Updated <a href="#">Section 3.4.4: Boot modes</a> and added Note 7. in <a href="#">Table 13: Pin definitions</a>.</p> <p>Changed USARTx_RTS and LPUARTx_RTS into USARTx_RTS_DE and LPUARTx_RTS_DE, respectively in <a href="#">Section 4: Pin descriptions</a>.</p> <p>In <a href="#">Section 5: Memory mapping</a>, replaced memory mapping schematic by reference to the reference manual.</p> <p>Updated introduction text in <a href="#">Section 6.2: Absolute maximum ratings</a> to mention device mission profile and extended mission profiles.</p> <p>Added note in <a href="#">Table 49: I/O current injection susceptibility</a>.</p> <p>Updated minimum and maximum values of I/O weak pull-up equivalent resistor (<math>R_{PU}</math>) and weak pull-down equivalent resistor (<math>R_{PD}</math>) in <a href="#">Table 50: I/O static characteristics</a>.</p> <p>Updated minimum and maximum values of NRST weak pull-up equivalent resistor (<math>R_{PU}</math>) in <a href="#">Table 53: NRST pin characteristics</a>. Added note 2 related to the position of the external capacitor below <a href="#">Figure 26: Recommended NRST pin protection</a>.</p> <p>Updated <a href="#">Section : I2C interface characteristics</a>.</p> <p>Removed section <a href="#">USART/LPUART characteristics</a>.</p> <p>Updated <a href="#">Figure 29: SPI timing diagram - slave mode and CPHA = 0</a>, <a href="#">Figure 30: SPI timing diagram - slave mode and CPHA = 1(1)</a> and <a href="#">Figure 31: SPI timing diagram - master mode(1)</a>.</p> |

**Table 77. Document revision history**

| Date        | Revision      | Changes   |
|-------------|---------------|---|
| 12-Sep-2017 | 5 (continued) | <p>In <a href="#">Section 7: Package information</a>:</p> <ul style="list-style-type: none"> <li>– Added paragraph related to optional marking or inset/upset marks in all device marking sections.</li> <li>– Updated <a href="#">Table 67: LQFP32 - 32-pin, 7 x 7 mm, 32-pin low-profile quad flat package mechanical data</a>.</li> <li>– Updated <a href="#">Figure 35: UFQFPN32 - 32-pin, 5x5 mm, 0.5 mm pitch ultra thin fine pitch quad flat package outline</a> and <a href="#">Table 68: UFQFPN32 - 32-pin, 5x5 mm, 0.5 mm pitch ultra thin fine pitch quad flat package mechanical data</a>.</li> <li>– Updated <a href="#">Figure 44: UFQFPN20 - 20-lead, 3x3 mm, 0.5 mm pitch, ultra thin fine pitch quad flat package outline</a> and <a href="#">Table 72: UFQFPN20 - 20-lead, 3x3 mm, 0.5 mm pitch, ultra thin fine pitch quad flat package mechanical data</a>.</li> <li>– Added notes related to D and E1 in <a href="#">Table 73: TSSOP20 – 20-lead thin shrink small outline, 6.5 x 4.4 mm, 0.65 mm pitch, package mechanical data</a>.</li> <li>– Updated <a href="#">Figure 50: TSSOP14 – 14-lead thin shrink small outline, 5.0 x 4.4 mm, 0.65 mm pitch, package outline</a> and <a href="#">Table 73: TSSOP20 – 20-lead thin shrink small outline, 6.5 x 4.4 mm, 0.65 mm pitch, package mechanical data</a></li> </ul> <p><a href="#">Section 8</a> renamed into Ordering information.</p> |

**IMPORTANT NOTICE – PLEASE READ CAREFULLY**

STMicroelectronics NV and its subsidiaries ("ST") reserve the right to make changes, corrections, enhancements, modifications, and improvements to ST products and/or to this document at any time without notice. Purchasers should obtain the latest relevant information on ST products before placing orders. ST products are sold pursuant to ST's terms and conditions of sale in place at the time of order acknowledgement.

Purchasers are solely responsible for the choice, selection, and use of ST products and ST assumes no liability for application assistance or the design of Purchasers' products.

No license, express or implied, to any intellectual property right is granted by ST herein.

Resale of ST products with provisions different from the information set forth herein shall void any warranty granted by ST for such product.

ST and the ST logo are trademarks of ST. All other product or service names are the property of their respective owners.

Information in this document supersedes and replaces information previously supplied in any prior versions of this document.

© 2017 STMicroelectronics – All rights reserved



单击下面可查看定价，库存，交付和生命周期等信息

[>>STMicroelectronics\(意法半导体\)](#)