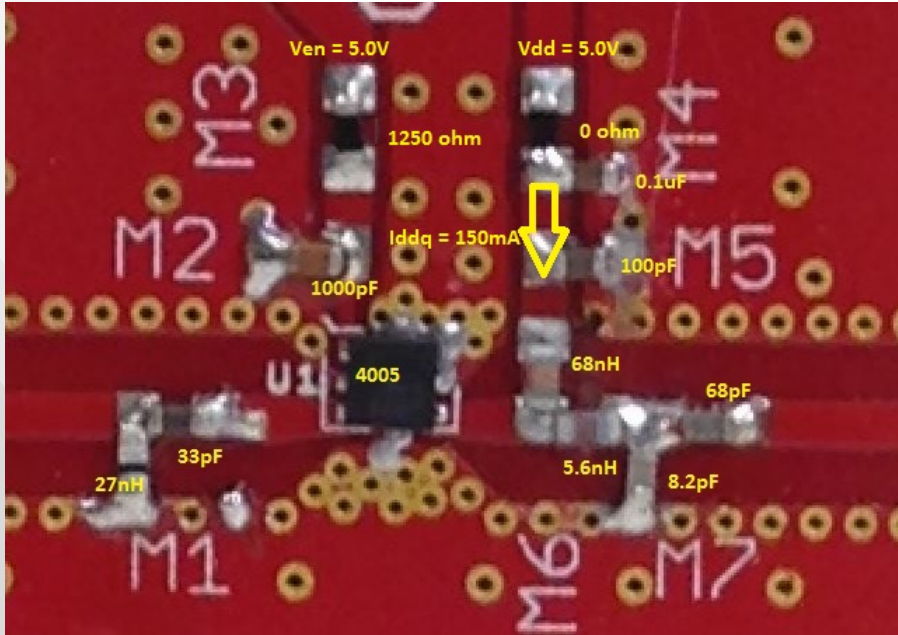


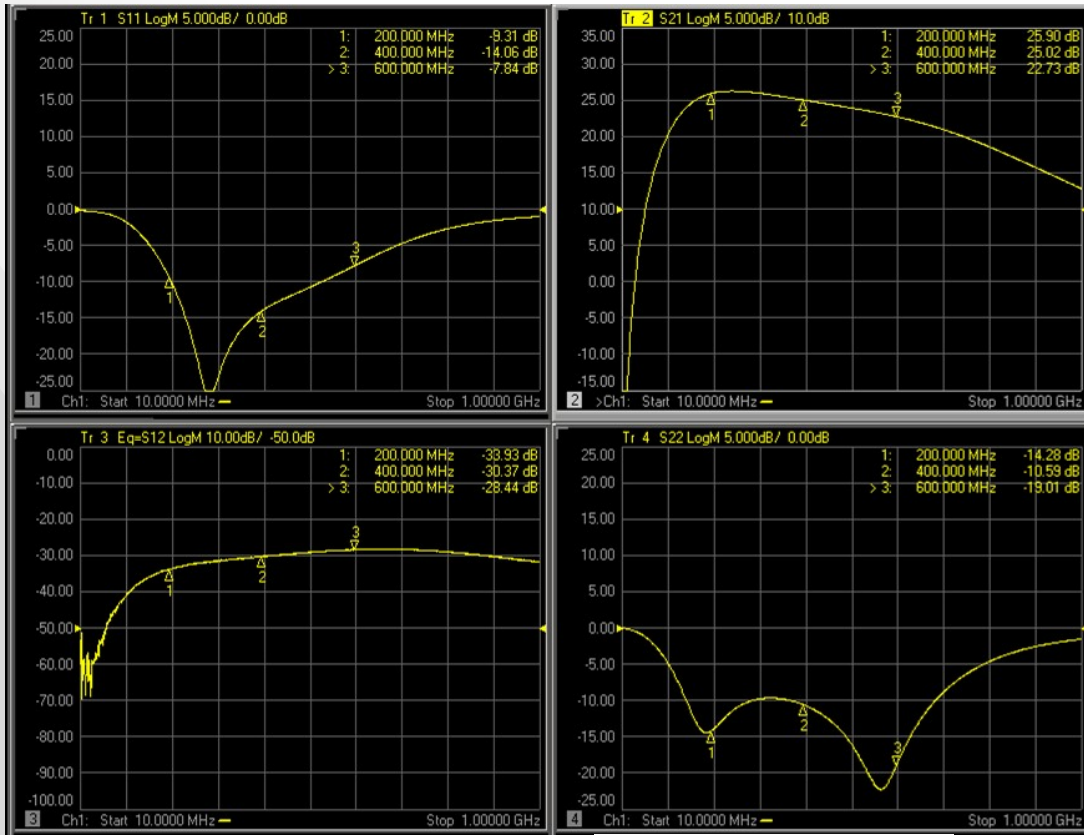


GRF4005 (200 – 600 MHz)

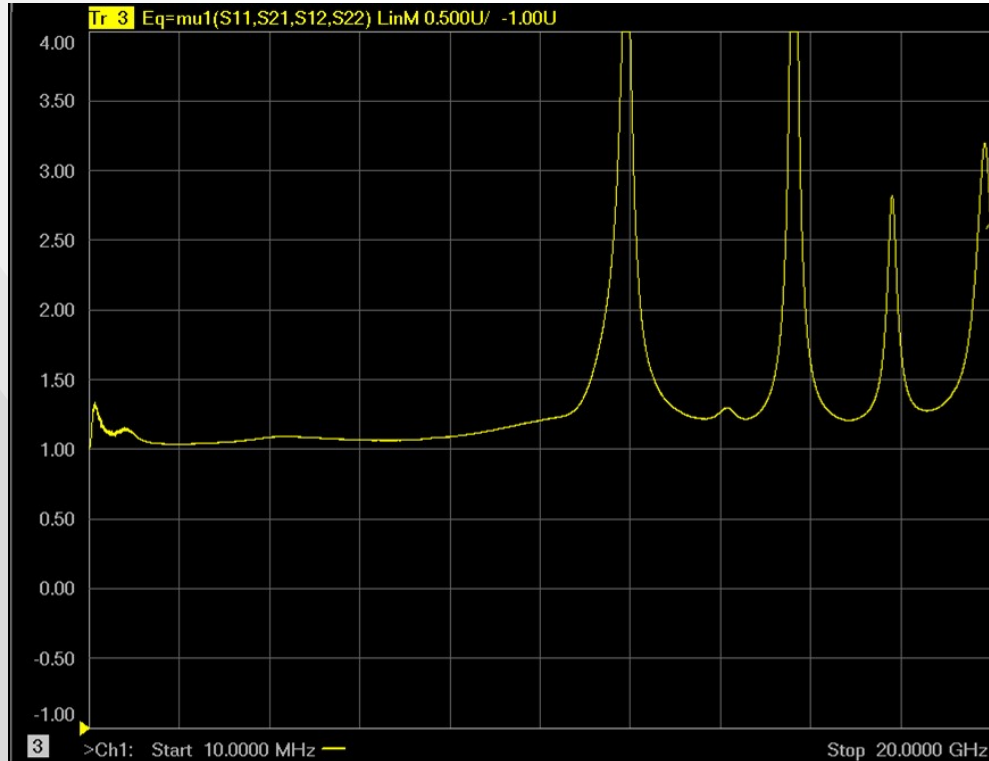
GRF4005 Schematic:



GRF4005 Response:



GRF4005 Stability Mu Factor:



GRF4005 Data:

Device/Bias Point	Freq MHz	Vdd	Iddq mA	Ven	Ien mA	Pout/Ptone dBm	Gain dB	IIP3 dBm	OIP3 dBm	IP1dB dBm	OP1dB dBm	EVB NF dB
GRF4005 5.0V/150mA	200	5.0	150.0	5.0	2.8	8.0	25.6	10.3	35.9	0.2	24.7	1.20
GRF4005 5.0V/150mA	300	5.0	150.0	5.0	2.8	8.0	25.9	11.4	37.3	1.0	25.6	1.14
GRF4005 5.0V/150mA	400	5.0	150.0	5.0	2.8	8.0	24.7	12.9	37.6	2.1	25.9	1.07
GRF4005 5.0V/150mA	500	5.0	150.0	5.0	2.8	8.0	23.7	13.4	37.1	1.8	24.6	1.08
GRF4005 5.0V/150mA	600	5.0	150.0	5.0	2.8	8.0	22.5	13.9	36.4	2.6	24.2	1.06



Jeff Broxson

Vice President - Sales

Phone (336) 339-9314

jbroxson@guerrilla-rf.com

Alan Ake

Vice President - Applications/Technical Marketing

Phone (336) 708-4581

aake@guerrilla-rf.com

Guerrilla RF

1196 Pleasant Ridge Road, Suite 5
Greensboro, NC 27409

Phone: (336) 510-7840

www.guerrilla-rf.com



单击下面可查看定价，库存，交付和生命周期等信息

[>>Guerrilla RF](#)