

## One Cell Li-ion/Li-polymer Linear Charger IC with Battery Temperature Detection

### ■ GENERAL DESCRIPTION

The XC6805 is a Constant-Voltage (CV) and Constant-Current (CC) type charging IC for linear charging of single-cell Li-ion batteries and Li-polymer batteries. The basic charging cycle consists of trickle charge mode followed by main charge mode. This IC supports temperature control based on JEITA, making it possible to safely charge Li-ion batteries and Li-polymer batteries by controlling the CV charge voltage and CC charge current according to the temperature. By connecting a resistor to the charge status output pin, it is possible to check the charge condition via the charge status output (CSO) pin voltage. The IC is housed in the small USP-6EL, USP-6B07 package with high heat dissipation, and a charge circuit can be configured using a minimum of external components.

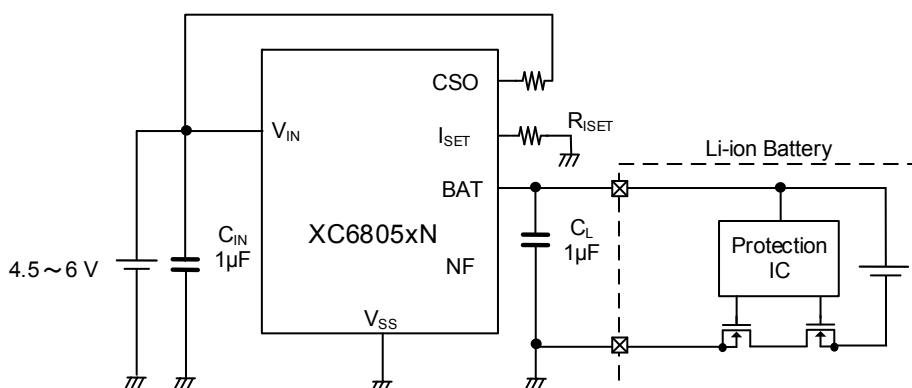
### ■ APPLICATIONS

- Small Battery
- Wearable Device
- Fitness Tracker
- Hearing Aid
- Smart Meter

### ■ FEATURES

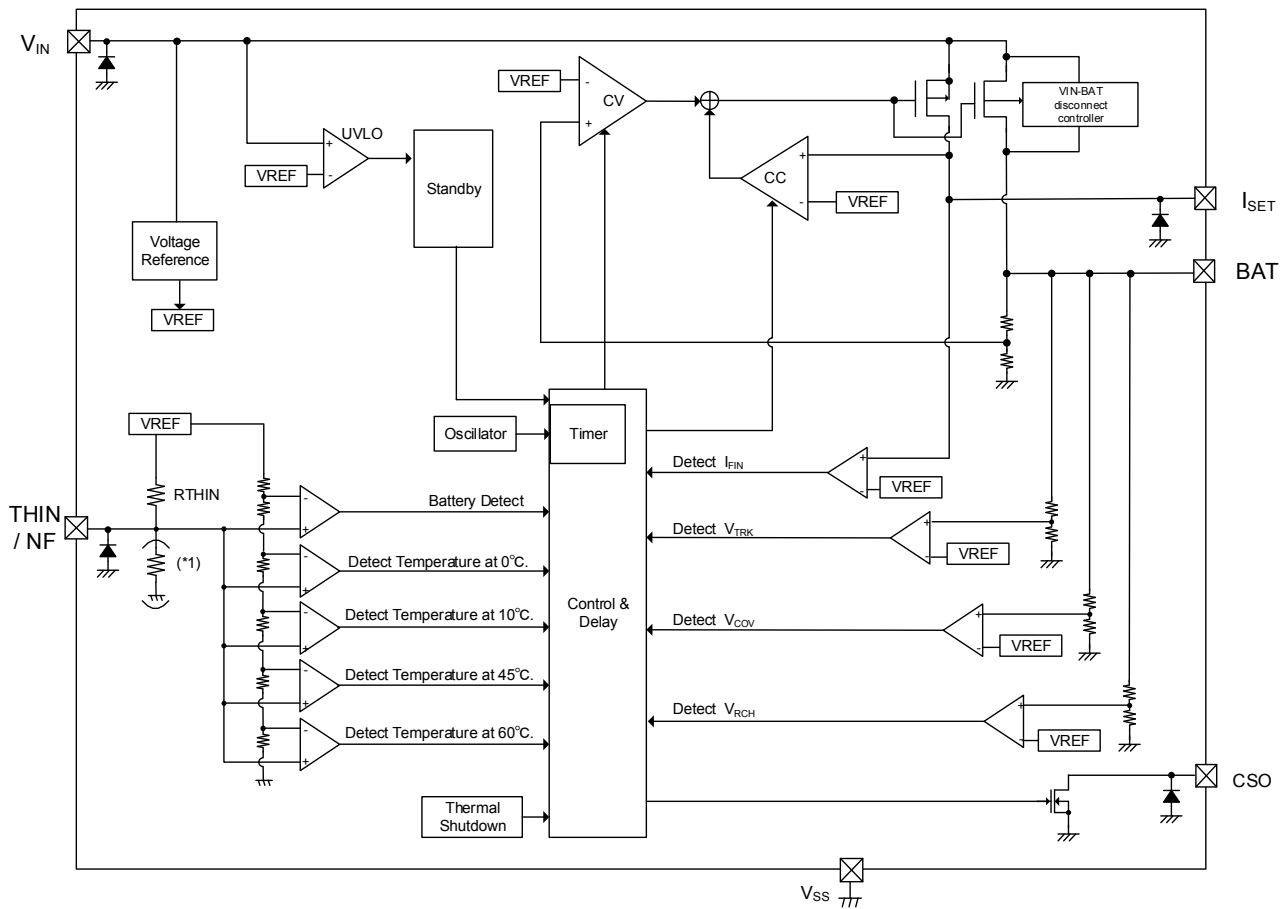
- JEITA conforming Thermistor Detect Function Built-in
- Operating Voltage Range : 4.5V ~ 6V
- Supply Current : 100 $\mu$ A ( $V_{IN}=5V$ ,  $V_{BAT}=3.5V$ )
- CC Charge Current : 5mA ~ 40mA Can be set by external resistance
- CV Charge Voltage : 4.2V, 4.05V (at high temperature) Internally fixed
- Protection Circuit : Thermistor detection function (Except for the XC6805xN)  
Safety timer function  
UVLO (Under Voltage Lock Out)  
Thermal shutdown (Latch Stop)  
Dropout voltage monitor function  
Charging over-voltage monitor function  
Charging over-current monitor function  
Recharge function
- Operating Ambient Temperature : - 40°C ~ +85°C
- Package : USP-6EL, USP-6B07
- Environmentally Friendly : EU RoHS Compliant, Pb Free

### ■ TYPICAL APPLICATION CIRCUIT



# XC6805 Series

## ■ BLOCK DIAGRAM



(\*1) On the XC6805xN, a resistor to the GND is built-in to invalidate the temperature monitor function.

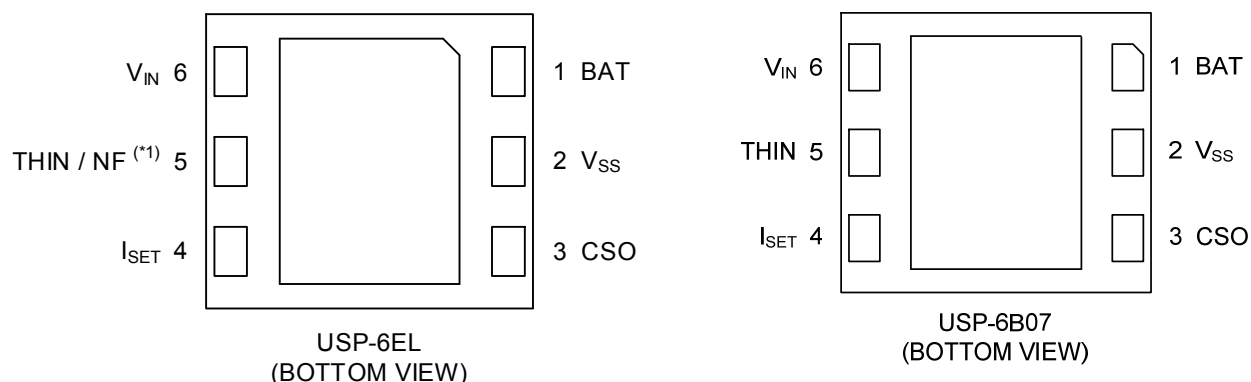
## ■ PRODUCT CLASSIFICATION

XC6805①②③④⑤⑥-⑦ (\*1)

DESIGNATOR	DESCRIPTION	SYMBOL	DESCRIPTION
①	Charge Status Output on Abnormal Mode	A	1kHz ON-OFF
		B	OFF
②	Battery Temperature Monitor Function	2	2 Temperature Monitor
		3	3 Temperature Monitor
		4	4 Temperature Monitor
		N	No Temperature Monitor
③	Trickle Charge Function	E	Enable
		D	Disable
④	CV Charge Voltage	1	4.2V (Fixed)
⑤⑥-⑦(*1)	Packages (Order Unit)	4R-G	USP-6EL (3,000pcs/Reel)
		8R-G	USP-6B07 (5,000pcs/Reel)

(\*1) The "-G" suffix denotes Halogen and Antimony free as well as being fully EU RoHS compliant.

## ■ PIN CONFIGURATION



\*The dissipation pad for the USP-6EL package should be solder-plated in recommended mount pattern and metal masking so as to enhance mounting strength and heat release.  
When taking out a potential of the heat-sink, connect with  $V_{SS}$  pin (#2 pin).

## ■ PIN ASSIGNMENT

PIN NUMBER		PIN NAME	FUNCTION
USP-6EL	USP-6B07		
1		BAT	Battery Connection
2		$V_{SS}$	Ground
3		CSO	Charge Status Output
4		$I_{SET}$	Charge Current Setup
5 <sup>(*)</sup>		THIN	Temperature Detection
		NF	No Function (Please do not connect any terminal.)
6		$V_{IN}$	Power Supply Input
Back Metal			Internally Connected $V_{SS}$

<sup>(\*)</sup> Pin name of #5 is THIN on the XC6805x2, XC6805x3 and XC6805x4, and NF on the XC6805xN.

## ■ ABSOLUTE MAXIMUM RATINGS

$T_a=25^{\circ}\text{C}$

PARAMETER	SYMBOL	RATING	UNIT
$V_{IN}$ Pin Voltage	$V_{IN}$	-0.3 ~ +6.5	V
BAT Pin Voltage	$V_{BAT}$	-0.3 ~ +6.5	V
CSO Pin Voltage	$V_{CSO}$	-0.3 ~ +6.5	V
THIN Pin Voltage <sup>(*)</sup>	$V_{THIN}$	-0.3 ~ $V_{IN} + 0.3$ or +6.5 <sup>(*)</sup>	V
NF Pin Voltage <sup>(*)</sup>	$V_{NF}$	-0.3 ~ $V_{IN} + 0.3$ or +6.5 <sup>(*)</sup>	V
$I_{SET}$ Pin Voltage	$V_{ISET}$	-0.3 ~ $V_{IN} + 0.3$ or +6.5 <sup>(*)</sup>	V
BAT Pin Current	$I_{BAT}$	1000	mA
Power Dissipation	USP-6EL	Pd	120
			750 (PCB mounted)
			750 (PCB mounted)
Operating Ambient Temperature	$T_{opr}$	-40 ~ +85	$^{\circ}\text{C}$
Storage Temperature	$T_{stg}$	-55 ~ +125	$^{\circ}\text{C}$

Each rating voltage is based on the  $V_{SS}$ .

<sup>(\*)</sup> Either of lower one,  $V_{IN} + 0.3$  or +6.5, is applicable.

<sup>(\*)</sup> Applicable only to XC6805x2, XC6805x3 and XC6805x4

<sup>(\*)</sup> Applicable only to XC6805xN

## ELECTRICAL CHARACTERISTICS

Unless otherwise stated,  $V_{IN}=5.0V$ ,  $V_{THIN}=1.0V$ ,  $R_{ISET}=59k\Omega$ ,  $C_{IN}=C_L=1\mu F$ ,  $T_a=25\text{ }^\circ C$

PARAMETER	SYMBOL	CONDITION	MIN.	TYP.	MAX.	UNIT	CIRCUIT
Operating Voltage Range	$V_{IN}$		4.5	5	6	V	-
Supply Current <sup>(1)</sup>	$I_{SS}$	$V_{BAT}=3.5V$	-	100	-	$\mu A$	①
Standby Current	$I_{STB}$	$V_{BAT}=4.3V$ , $I_{STB}=I_{IN} - I_{THIN}$	-	60	-	$\mu A$	①
$V_{IN}$ - $V_{BAT}$ Shut-down Voltage	$V_{IBSD}$	$V_{BAT}=4.1V$	-	$V_{BAT}+40$	-	mV	②
Shut-down Hysteresis Voltage <sup>(1)</sup>	$V_{IBSDHYS}$		-	60	-	mV	②
UVLO Voltage	$V_{UVLO}$		3.6	3.8	4	V	②
UVLO Hysteresis Voltage <sup>(1)</sup>	$V_{UVLOHYS}$		-	200	-	mV	②
Trickle Charge Voltage <sup>(2)</sup>	$V_{TRK}$		2.8	2.9	3	V	②
Trickle Charge Hysteresis Voltage <sup>(1)(2)</sup>	$V_{TRKHYS}$		-	100	-	mV	②
Trickle Charge Current (Min.) <sup>(1)(2)</sup>	$I_{TRKI}$	$R_{ISET}=59k\Omega$ , $V_{BAT}=2.4V$	-	0.5	-	mA	②
Trickle Charge Current <sup>(2)</sup>	$I_{TRK}$	$R_{ISET}=20k\Omega$ , $V_{BAT}=2.4V$	0.9	1.2	1.8	mA	②
Trickle Charge Current (Max.) <sup>(1)(2)</sup>	$I_{TRKA}$	$R_{ISET}=5.9k\Omega$ , $V_{BAT}=2.4V$	-	4	-	mA	②
CV Charge Voltage	$V_{BAC}$	$I_{BAT}=20mA$	4.17	4.2	4.23	V	③
		$I_{BAT}=20mA$ $V_{THIN}=V_{THIN\_open} \times V_{T45}$ <sup>(3)</sup>	4.02	4.05	4.08	V	③
CC Charge Current (Min.) <sup>(1)</sup>	$I_{BACI}$	$R_{ISET}=59k\Omega$ , $V_{BAT}=3.1V$	-	5	-	mA	②
		$R_{ISET}=59k\Omega$ , $V_{BAT}=3.1V$ $V_{THIN}=V_{THIN\_open} \times V_{T10}$ <sup>(4)</sup>	-	2.3	-	mA	②
CC Charge Current	$I_{BAC}$	$R_{ISET}=20k\Omega$ , $V_{BAT}=3.1V$	11	13	15	mA	②
		$R_{ISET}=20k\Omega$ , $V_{BAT}=3.1V$ $V_{THIN}=V_{THIN\_open} \times V_{T10}$ <sup>(4)</sup>	4	6	8	mA	②
CC Charge Current (Max.) <sup>(1)</sup>	$I_{BACA}$	$R_{ISET}=5.9k\Omega$ , $V_{BAT}=3.1V$	-	40	-	mA	②
		$R_{ISET}=5.9k\Omega$ , $V_{BAT}=3.1V$ $V_{THIN}=V_{THIN\_open} \times V_{T10}$ <sup>(4)</sup>	-	18.4	-	mA	②
Charge Completion Current (Min.) <sup>(1)</sup>	$I_{FINI}$	$R_{ISET}=59k\Omega$	-	0.5	-	mA	③
Charge Completion Current	$I_{FIN}$	$R_{ISET}=20k\Omega$	0.9	1.5	2.5	mA	③
Charge Completion Current (Max.) <sup>(1)</sup>	$I_{FINA}$	$R_{ISET}=5.9k\Omega$	-	4.4	-	mA	③
Over Voltage Protection Threshold	$V_{COV}$		4.3	4.45	4.6	V	②
Over Current Protection Threshold	$I_{COP}$		-	110	-	mA	③
Driver ON Resistance	$R_{ON}$	$V_{IN}=4.1V$ , $R_{ISET}=5.9k\Omega$ $I_{BAT}=15mA$	-	3	5.5	$\Omega$	③
Driver Leakage Current	$I_{LEAK}$	$V_{IN}=6.0V$ , $V_{BAT}=0V$	-	-	1	$\mu A$	⑥
BAT Pin Reverse Current	$I_{REV}$	$V_{BAT}=4.5V$ , $V_{IN}=0V$	-	0.5	1.4	$\mu A$	⑥
BAT Pin Pull-down Current	$I_{BATPD}$	$V_{BAT}=4.3V$	-	3	-	$\mu A$	②
Recharge Voltage	$V_{RCHG}$		3.7	3.9	4.1	V	②
		$V_{THIN}=V_{THIN\_open} \times V_{T45}$ <sup>(3)</sup>	3.55	3.75	3.95	V	②

<sup>(1)</sup> Design target

<sup>(2)</sup> Applicable only to XC6805xxE. XC6805xxD does not have trickle charge function.

<sup>(3)</sup> Applicable only to XC6805x4

<sup>(4)</sup> Applicable only to XC6805x3 and XC6805x4

## ■ ELECTRICAL CHARACTERISTICS

Unless otherwise stated,  $V_{IN}=5.0V$ ,  $V_{THIN}=1.0V$ ,  $R_{ISET}=59k\Omega$ ,  $C_{IN}=C_L=1\mu F$ ,  $T_a=25\text{ }^\circ\text{C}$

PARAMETER	SYMBOL	CONDITION	MIN.	TYP.	MAX.	UNIT	CIRCUIT
Trickle Charge Hold Time <sup>(*)</sup>	$t_{TRK}$		-	0.5	-	hr	②
Main Charge Hold Time	$t_{CHG}$		-	5	-	hr	②
CSO Pin OFF Current	$I_{CSO\text{OFF}}$	$V_{CSO}=6.0V$	-	-	1	$\mu A$	⑦
CSO Pin ON Voltage	$V_{CSO}$	$I_{CSO}=10mA$	-	-	0.5	V	④
Thermal Shut-Down Detection Temperature <sup>(*)</sup>	$T_{TSD}$		-	140	-	$^\circ\text{C}$	②
CSO Frequency <sup>(*)</sup>	$f_{CSO}$		0.75	1	1.25	kHz	②

<sup>(\*)</sup> Applicable only to XC6805xxE

<sup>(\*)</sup> Applicable only to XC6805A

## ELECTRICAL CHARACTERISTICS

XC6805x2, XC6805x3, XC6805x4 <sup>(\*)3</sup>

Unless otherwise stated,  $V_{IN}=5.0V$ ,  $V_{THIN}=1.0V$ ,  $R_{ISET}=59k\Omega$ ,  $C_{IN}=C_L=1\mu F$ ,  $T_a=25\text{ }^\circ C$

PARAMETER	SYMBOL	CONDITION	MIN.	TYP.	MAX.	UNIT	CIRCUIT
THIN Pin Open Voltage	$V_{THIN\_open}$		1.94	2.0	2.06	V	⑤
Battery Connect Detection	$V_{TD}$		77	80	83	% <sup>(*)2</sup>	②
Battery Connect Detection Hysteresis <sup>(*)1</sup>	$V_{TDH}$	At temperature fall	-	3	-	% <sup>(*)2</sup>	②
Thermistor Detection at 0°C	$V_{T0}$		71.13	73.13	75.13	% <sup>(*)2</sup>	②
Thermistor Detection Hysteresis at 0°C <sup>(*)1</sup>	$V_{T0H}$	At temperature rise	-	2.18	-	% <sup>(*)2</sup>	②
Thermistor Detection at 10°C <sup>(*)4</sup>	$V_{T10}$		62.19	64.19	66.19	% <sup>(*)2</sup>	②
Thermistor Detection Hysteresis at 10°C <sup>(*)1</sup>	$V_{T10H}$	At temperature rise	-	2.38	-	% <sup>(*)2</sup>	②
Thermistor Detection at 45°C	$V_{T45}$		30.96	32.96	34.96	% <sup>(*)2</sup>	②
Thermistor Detection Hysteresis at 45°C <sup>(*)1</sup>	$V_{T45H}$	At temperature fall	-	1.94	-	% <sup>(*)2</sup>	②
Thermistor Detection at 60°C <sup>(*)5</sup>	$V_{T60}$		21.16	23.16	25.16	% <sup>(*)2</sup>	②
Thermistor Detection Hysteresis at 60°C <sup>(*)1</sup>	$V_{T60H}$	At temperature fall	-	1.47	-	% <sup>(*)2</sup>	②
THIN Pin Connected Resistance	$R_{THIN}$	$V_{THIN} = 0 V$	9.8	10	10.2	k $\Omega$	⑤

<sup>(\*)1</sup> Design target

<sup>(\*)2</sup> The comparator detect voltage and hysteresis width are indicated as percentages of the THIN pin open voltage,  $V_{THIN\_open}$ , (taken to be 100%)

$$V_{Txx} = V_{Txx'} / V_{THIN\_open} \quad (V_{Txx'}: \text{Voltage when the external voltage applied to the THIN pin sweeps and the IC internal comparator inverts})$$

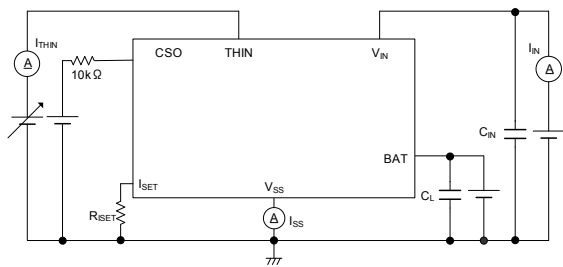
<sup>(\*)3</sup> XC6805xN does not include thermistor temperature monitoring function.

<sup>(\*)4</sup> Applicable only to XC6805x3 and XC6805x4

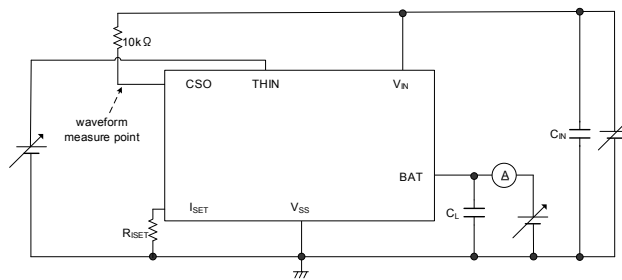
<sup>(\*)5</sup> Applicable only to XC6805x4

## TEST CIRCUITS

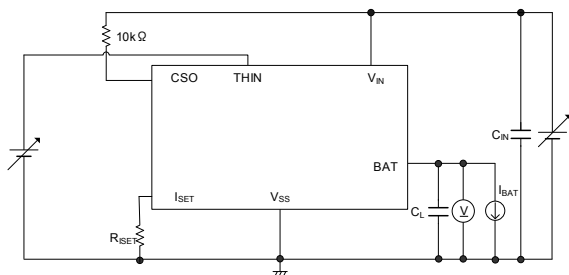
1) Test Circuit ①



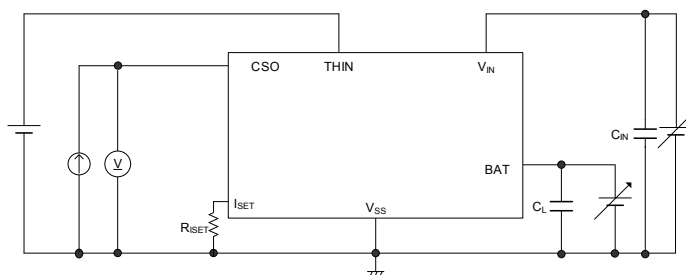
2) Test Circuit ②



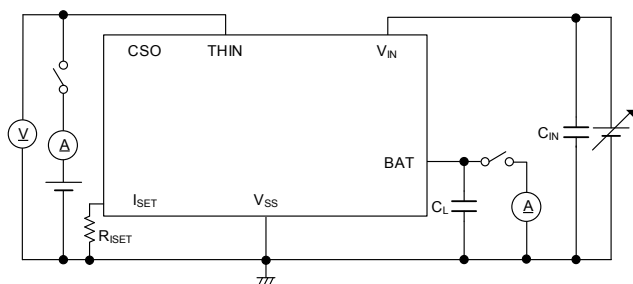
3) Test Circuit ③



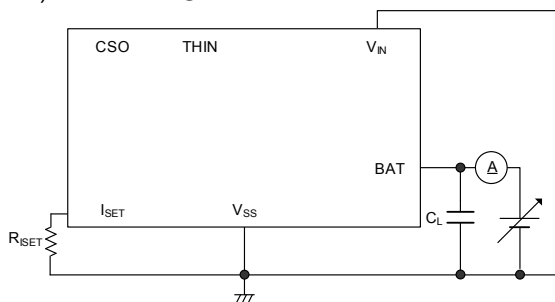
4) Test Circuit ④



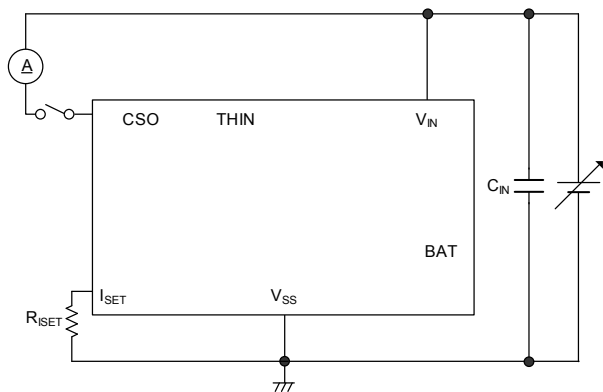
5) Test Circuit ⑤



6) Test Circuit ⑥



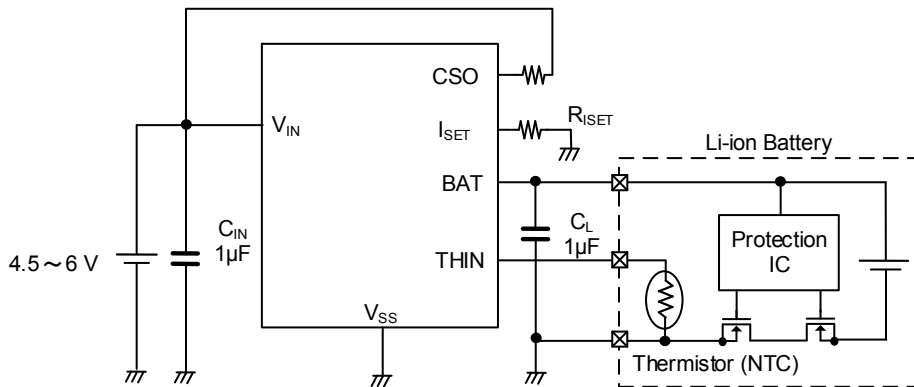
7) Test Circuit ⑦



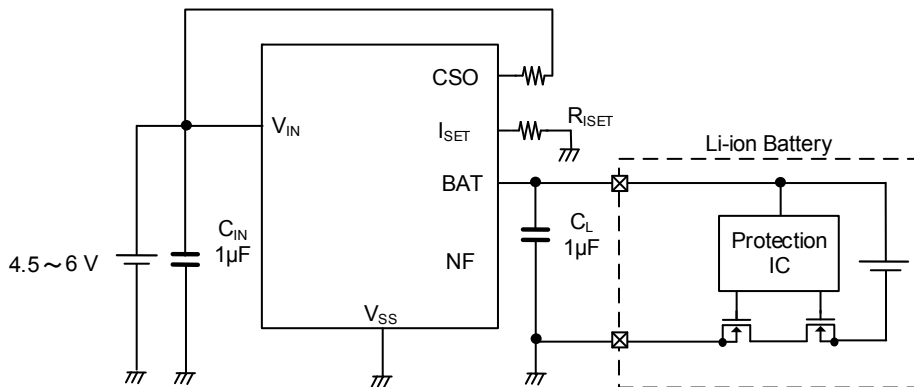
# XC6805 Series

## TYPICAL APPLICATION CIRCUIT

XC6805x2, XC6805x3, XC6805x4



XC6805xN



### 【Recommended Parts】

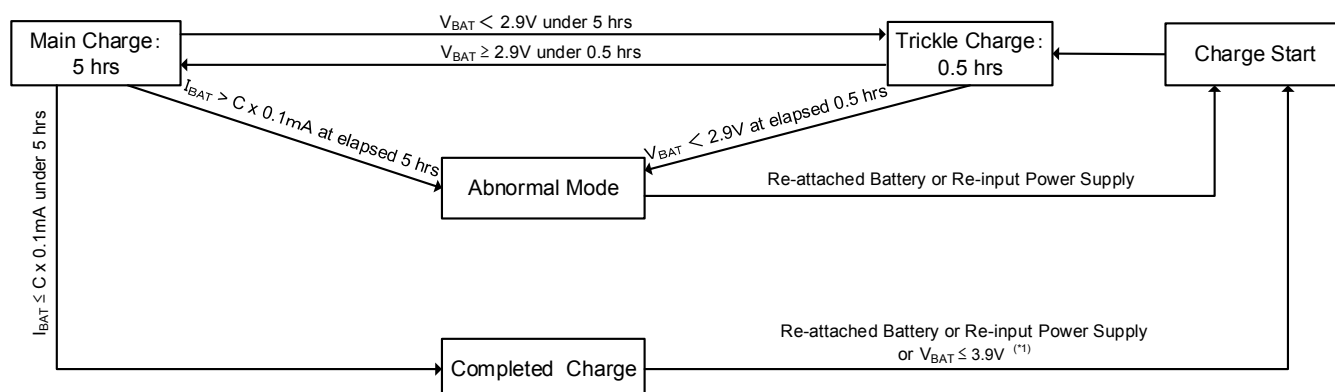
	MANUFACTURE	PRODUCT NUMBER	VALUE
C <sub>IN</sub>	TAIYO YUDEN	LMK107BJ105KA	1µF/10V
C <sub>L</sub>	TAIYO YUDEN	LMK107BJ105KA	1µF/10V
NTC	Murata	NCP15XH103F03RC	Resistance: 10kΩ @ 25°C B-constant (25 - 50°C): 3380K
R <sub>ISET</sub>			5.9 ~ 59kΩ



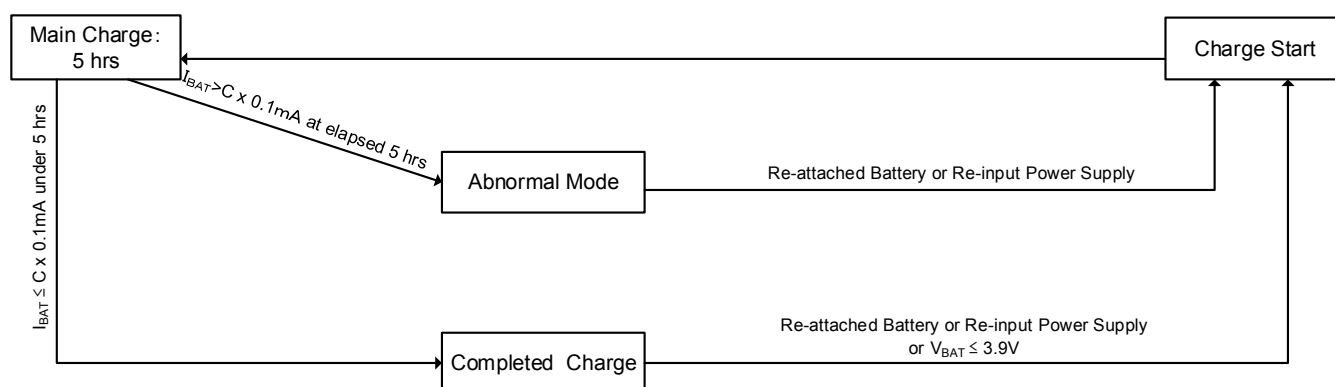
## OPERATIONAL EXPLANATION

### <Charge Function>

#### XC6805xxE



#### XC6805xxD



#### ●Charging start

When a thermistor is connected to the THIN pin after a voltage is applied to the power input pin (①), or when a voltage is applied to the power input pin after a thermistor is connected to the THIN pin (②), the power on reset function activates and initializes the internal counter. After 200ms elapses in the case of ①, or 150ms in the case of ②, charging starts.

#### ●Trickle charging: Less than 0.5 hour (XC6805xxE only)

Trickle charging determines if main charging of the Li-ion battery is possible. The Li-ion battery is charged at a trickle charge current that is one-tenth the charge current set with the external resistor  $R_{\text{ISET}}$ . If the BAT pin voltage  $V_{\text{BAT}}$  is above 2.9V in the charging start state, trickle charging takes place for 1ms and then main charging begins. If  $V_{\text{BAT}}$  is less than 2.9V, trickle charging takes place, and main charging begins 50ms after 2.9V is detected. If the BAT pin voltage is less than 2.9V after 0.5 hours, the IC changes to the error state and stops charging the Li ion battery. In addition, the error in the trickle charge current increases if  $V_{\text{BAT}}$  drops below about 1V.

#### ●Main charging: Less than 5 hours

When the condition for transition from trickle charging is satisfied, it is determined that rapid charging of the Li-ion battery is possible and the IC changes to the main charging state. In main charging, the IC charges an Li-ion battery at a CC charge current that is set with the external resistor  $R_{\text{ISET}}$ . If the BAT pin voltage  $V_{\text{BAT}}$  rises to the CV charge voltage  $V_{\text{BAC}}$  within 5 hours, the charge current drops to the charge completed current, and after 50ms elapses, the state changes to charge completed and charging stops. If the charge current is higher than the charge completed current after 5 hours, an error state occurs and charging stops.

#### ●Charging completed

When the charge current reaches the charge completion current, which is one-tenth the charge current set with the external resistor  $R_{\text{ISET}}$ , and after 50ms elapses, the IC changes to charging completed and stops charging the Li-ion battery. At this time, the charge status output pin changes from ON to OFF. When the BAT pin voltage ( $V_{\text{BAT}}$ ) falls from the charge completion state to the recharge voltage  $V_{\text{RCHG}}$  or less, charging automatically restarts. When a voltage is reapplied to the power input pin or a Li-ion battery is reconnected to the BAT pin in the charging completed state, the IC starts up and charging begins.

## OPERATIONAL EXPLANATION (Continued)

### ● Error state

If it is determined that charging is abnormal in any state, the IC treats this as an error state and stops charging. When the power is turned off and then on, or the battery is reinserted, the IC starts up again and charging starts. An error state occurs if 0.5 hours elapses during trickle charging, if 5 hours elapses during main charging, or if thermal shutdown, charging overvoltage, or charging overcurrent is detected.

### ● Charging status output pin (CSO)

The charge status output pin turns ON by Nch open drain output during trickle charging and main charging, and turns OFF after charging is completed. If an abnormal condition is detected, the charge status output pin repeats ON-OFF at 1kHz on the XC6805A, and turns off on the XC6805B.

### ● Charge current

The set charge current of the IC,  $I_{CHG}$ , can be set within the range 5mA to 40mA by an external resistance ( $R_{ISET}$ ). The  $R_{ISET}$  and  $I_{CHG}$  are approximated by the following equation.

$$R_{ISET} (k\Omega) = 351 \times I_{CHG}^{-1.11} (mA)$$

### ● IC temperature monitoring function

In order to prevent destruction due to IC heat generation as well as abnormal charging due to thermal runaway, a thermal shutdown circuit is incorporated into the IC. If the chip temperature rises to 140°C or higher and after 50ms elapses, the output driver is turned off and charging is stopped. At this time, the charge status output pin repeats ON-OFF at 1kHz on the XC6805A, and turns off on the XC6805B. When voltage is reapplied to the power input pin or the Li-ion battery is reconnected to the BAT pin, the IC starts and charging begins.

### ● Dropout voltage monitoring function

To prevent reverse current from the Li-ion battery to the battery charger, this function monitors the dropout voltage between the BAT pin voltage ( $V_{BAT}$ ) and power input pin voltage ( $V_{IN}$ ). When the  $V_{IN}$  falls to  $V_{BAT} + 40mV$ , the function turns off the output driver and switches the backgating connection of the driver from the power pin to the BAT pin. When  $V_{IN}$  rises higher than  $V_{BAT} + 0.1V$ , this function is released, the output driver turns ON, and the driver backgate connects to the power pin and charging resumes. In addition, this function continues the  $t_{CHG}$  count even when charging is stopped, and the charge status output pin maintains the ON state. After charging is completed, the charge status output pin remains off even if the function activates due to the input power being removed or otherwise.

### ● UVLO function

A UVLO function is incorporated. If the power input pin falls to 3.8V or lower during charging, this function turns off the output driver and stops charging. In addition, charge status output pin changes to OFF. When the power input pin rises to 4V or higher, the IC starts up and charging begins. This function also detects voltage application to the power input pin.

### ● Charge over-voltage monitoring function

This function stops charging to prevent charging the over-voltage battery if the BAT pin voltage is 4.45V or higher and after 50ms elapses. At this time, the charge status output pin repeats ON-OFF at 1kHz on the XC6805A, and turns off on the XC6805B. When voltage is reapplied to the power input pin or the Li ion battery is reconnected to the BAT pin, the IC starts and charging begins. <sup>(\*)</sup>

### ● Charge over-current monitoring function

To prevent charging of a battery by excessive current, this function stops charging if the charge current rises to 110mA or higher and after 50ms elapses. At this time, the charge status output pin repeats ON-OFF at 1kHz on the XC6805A, and turns off on the XC6805B. When voltage is reapplied to the power input pin or the Li ion battery is reconnected to the BAT pin, the IC starts up and charging begins. <sup>(\*)</sup>

### ● Recharge function

With the completion of charging, when the NTC thermistor temperature is 0°C or higher and less than 45°C, and the BAT pin voltage ( $V_{BAT}$ ) falls to 3.9V or less, charging resumes. (charging is resumed 150ms after the charge start state is entered).

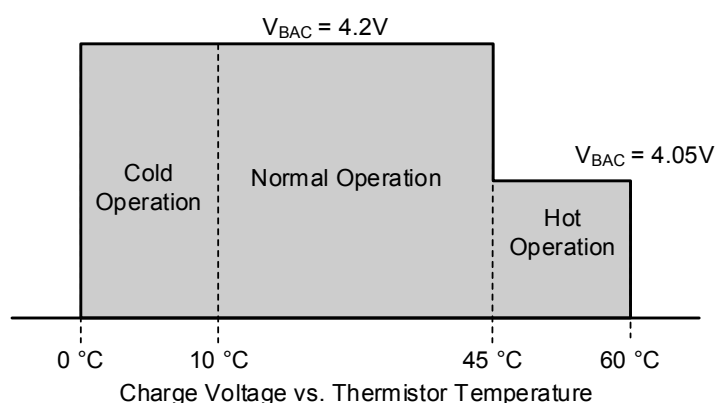
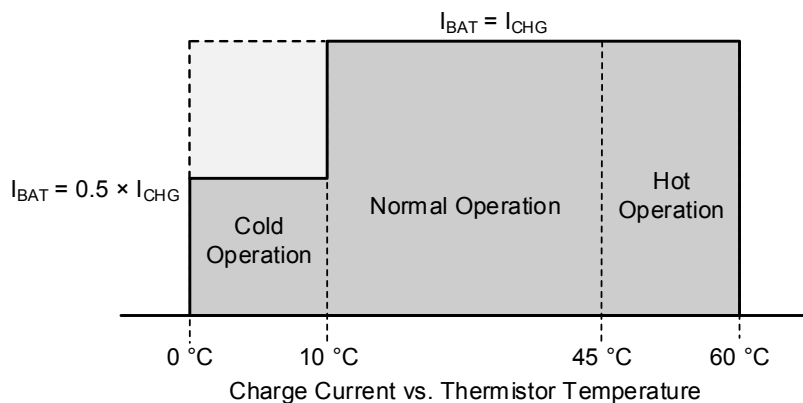
On the XC6805xx4, if the NTC thermistor temperature is 0°C or higher, less than 45°C and BAT pin voltage ( $V_{BAT}$ ) drops less than 3.9V, charging automatically resumes. If the NTC thermistor temperature is 45°C or higher and less than 60°C, charging automatically resumes when the voltage falls to 3.75V or less.

<sup>(\*)</sup> Insertion and removal of the battery is detected by thermistor connection (THIN pin voltage). For this reason, restarting of the IC is not possible by battery reinsertion on the XC6805xN, as the THIN voltage is fixed to the internal IC. When voltage is reapplied to the power input pin, the IC starts up and charging begins.

## ■ OPERATIONAL EXPLANATION (Continued)

### ● Li-ion battery temperature monitoring function <sup>(\*1)</sup>

The IC monitors the Li-ion battery temperature during charging by means of an NTC thermistor ("thermistor" below) connected to the THIN pin. The charge voltage  $V_{BAC}$  and the charge current  $I_{BAT}$  are controlled based on the Li-ion battery temperature as shown below to enable safe charging. The charge state changes after the Li ion battery temperature reaches each of the change points and after 50ms elapses.



### ● XC6805x4 (4 temperatures monitoring)

Cold Operation

When  $0^\circ\text{C} < \text{NTC Temperature} \leq 10^\circ\text{C}$ , the CC charge current is limited to  $I_{CHG} \times 0.5$ . <sup>(\*2)</sup>

When NTC Temperature  $\leq 0^\circ\text{C}$ , charging stops. <sup>(\*3)</sup>

Normal Operation

When  $10^\circ\text{C} < \text{NTC Temperature} < 45^\circ\text{C}$ , charging takes place with the charge current  $I_{CHG}$  and the charge voltage at 4.2V. <sup>(\*2)</sup>

Hot Operation

When  $45^\circ\text{C} \leq \text{NTC Temperature} < 60^\circ\text{C}$ , the charge voltage changes to 4.05V and charging continues. <sup>(\*2)</sup>

When  $60^\circ\text{C} \leq \text{Thermistor Temperature}$ , charging stops. <sup>(\*3)</sup>

### ● XC6805x3 (3 temperatures monitoring)

Comparing to the XC6805x4, the XC6805x3 does not monitor at  $60^\circ\text{C}$  and charging stops at  $45^\circ\text{C} \leq \text{Thermistor Temperature}$ . <sup>(\*2)</sup>

### ● XC6805x2 (2 temperatures monitoring)

In contrast to the XC6805x4, the XC6805x2 does not have  $10^\circ\text{C}$  and  $60^\circ\text{C}$  monitoring, and stops charging when Thermistor Temperature  $\leq 0^\circ\text{C}$  and when Thermistor Temperature  $\geq 45^\circ\text{C}$ . <sup>(\*3)</sup>

In addition, when  $0^\circ\text{C} < \text{Thermistor Temperature} \leq 10^\circ\text{C}$ , the charge current does not change from  $I_{CHG}$ . <sup>(\*2)</sup>

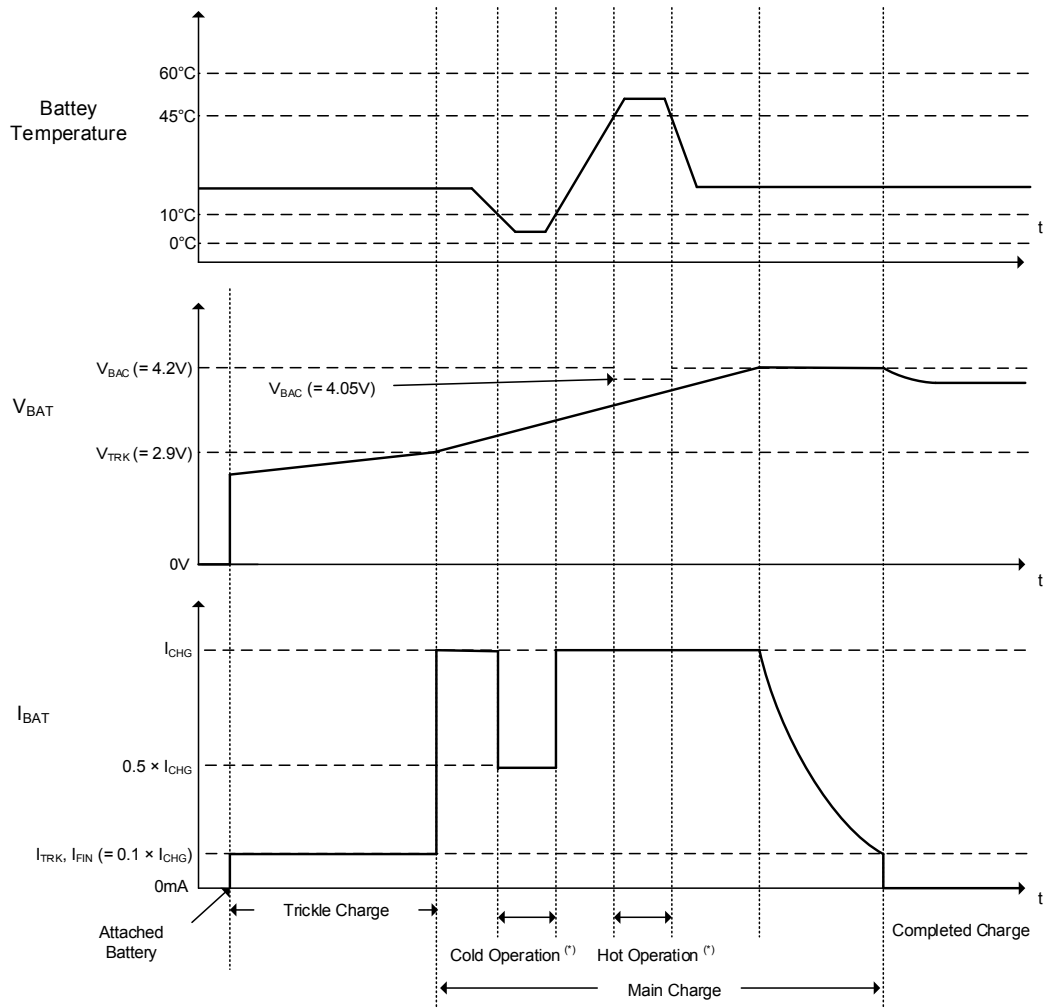
<sup>(\*1)</sup> On the XC6805xN, battery temperature protection function is not built in.

<sup>(\*2)</sup> During trickle charging, the charge current is limited to  $I_{CHG} \times 0.1$ .

<sup>(\*3)</sup> Even when charging is stopped,  $t_{TRK}$  count and  $t_{CHG}$  count are continued and the charge status output pin maintains the ON state.

## OPERATIONAL EXPLANATION (Continued)

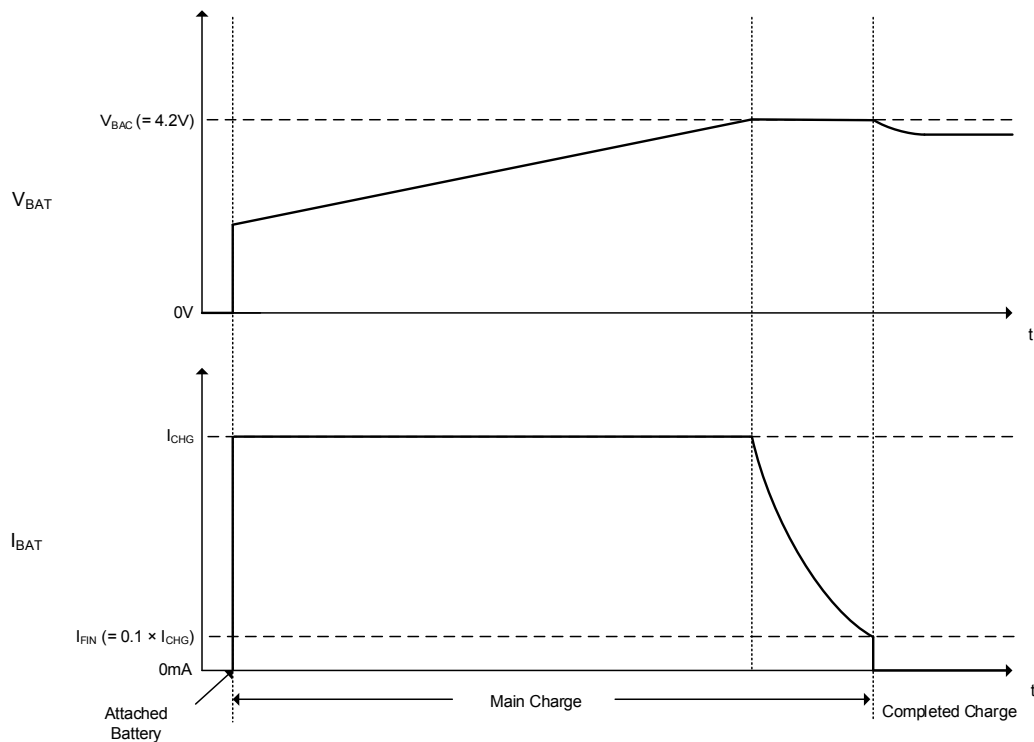
Timing chart example  
XC6805x4



(\*) With regard to the details of Cold operation and Hot Operation, please see "Li-ion battery temperature monitoring function" in the Operational Explanation.

## ■ OPERATIONAL EXPLANATION (Continued)

Timing chart example  
XC6805xND

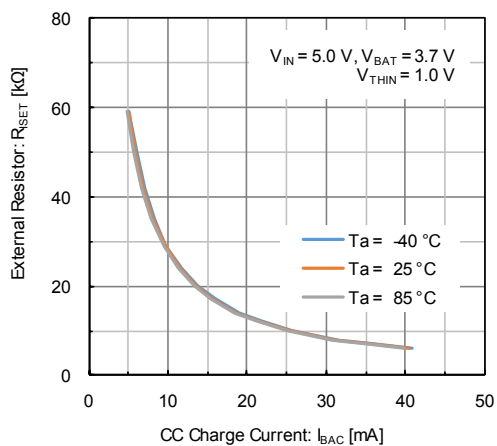


## NOTES ON USE

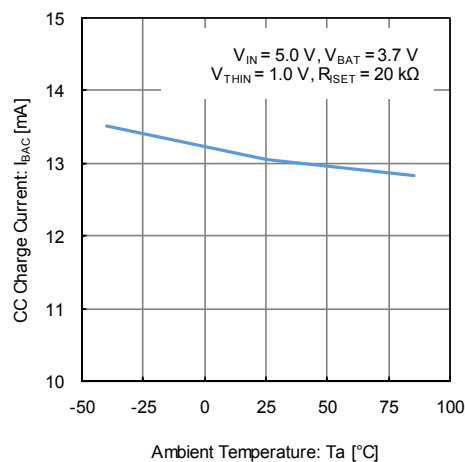
1. For temporary, transitional voltage drop or voltage rising phenomenon, the IC is liable to malfunction should the ratings be exceeded.
2. Where wiring impedance is high, operations may become unstable. Please strengthen VIN and VSS wiring in particular.
3. Please mount the  $C_{IN}$ ,  $C_L$  and charge current setting resistor as close to the IC as possible.
4. Do not connect anything other than a resistance for setting the charge current to the  $I_{SET}$  pin.
5. Torex places an importance on improving our products and their reliability.  
We request that users incorporate fail-safe designs and post-aging protection treatment when using Torex products in their systems.
6. This IC uses an external thermistor to detect and control temperature with high accuracy.  
Please sufficiently test the position of the external thermistor to ensure that it enables accurate temperature detection.
7. Reversing the polarity of the battery may cause destruction and is extremely dangerous. Never reverse the polarity of the battery.
8. Short-circuiting to neighboring pins may cause malfunctioning and destruction. Exercise sufficient caution when mounting and using the IC.
9. If a large ripple voltage occurs at the  $V_{IN}$  pin, the IC may malfunction. Please test thoroughly.
10. Taking the temperature characteristics and the dispersion into consideration, please set the charge current not to exceed the range of 5mA to 40mA.
11. If the  $I_{SET}$  pin is shorted to the GND, there is a possibility that the IC is destroyed before the over-current monitor function is activated.
12. When  $V_{BAT}$  is 1 V or less, the error range of the trickle charge current becomes big. When  $V_{IN} - V_{BAT}$  voltage is high in particular, please pay attention when using as there are possibilities that a large trickle current flows.
13. On the XC6805xN, please be sure to use the NF pin (pin #5) in the open state.

## TYPICAL PERFORMANCE CHARACTERISTICS

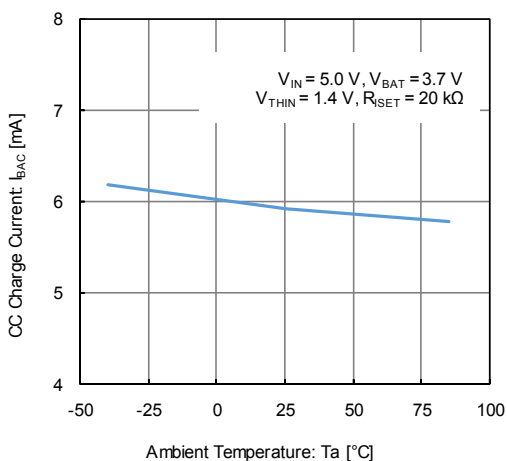
(1) CC Charge Current vs. External Resistor (Normal Operation)



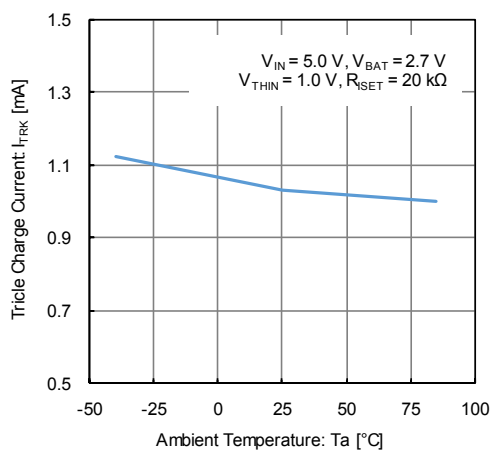
(2) CC Charge Current vs. Ambient Temperature (Normal Operation)



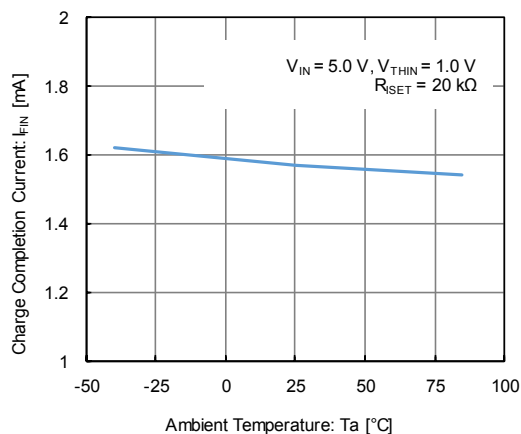
(3) CC Charge Current vs. Ambient Temperature (Cold Operation)



(4) Trickle Charge Current vs. Ambient Temperature

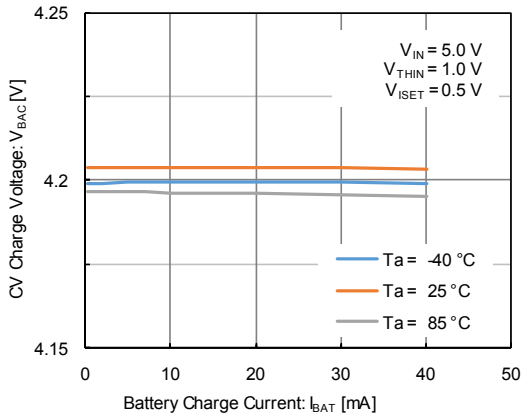


(5) Charge Completion Current vs. Ambient Temperature

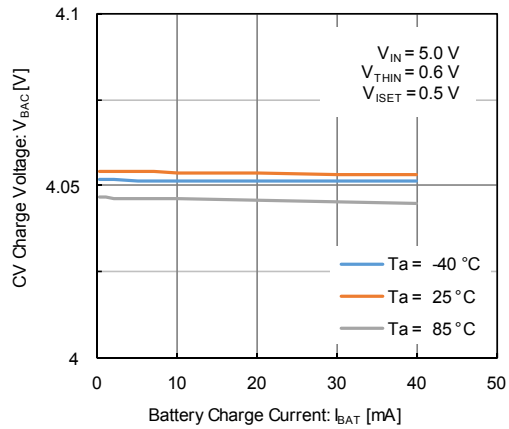


## TYPICAL PERFORMANCE CHARACTERISTICS (Continued)

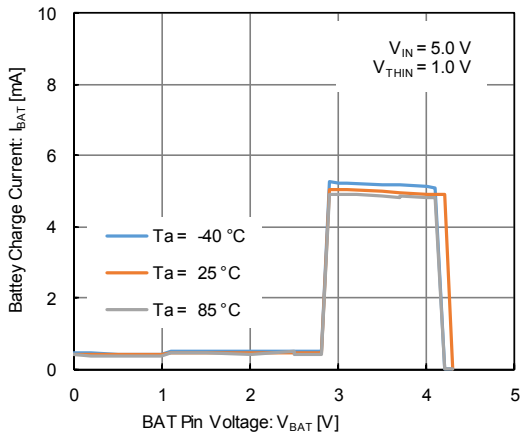
(6) CV Charge Voltage vs. Charge Current (Normal Operation)



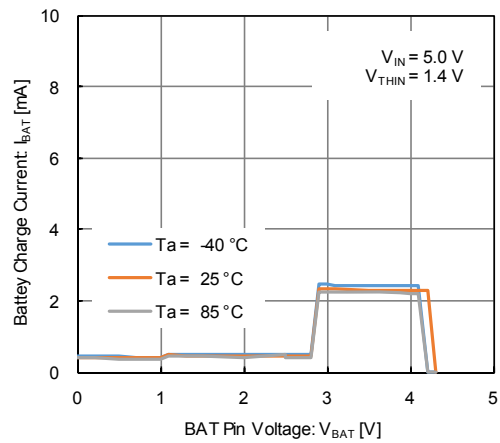
(7) CV Charge Voltage vs. Charge Current (Hot Operation)



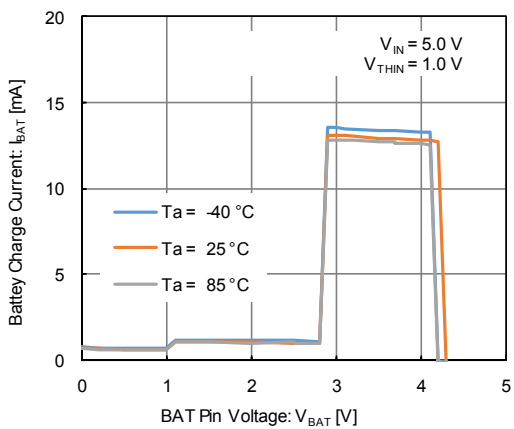
(8) Battery Charge Current vs. BAT Pin Voltage ( $R_{SET} = 59\text{ k}\Omega$ , Normal Operation)



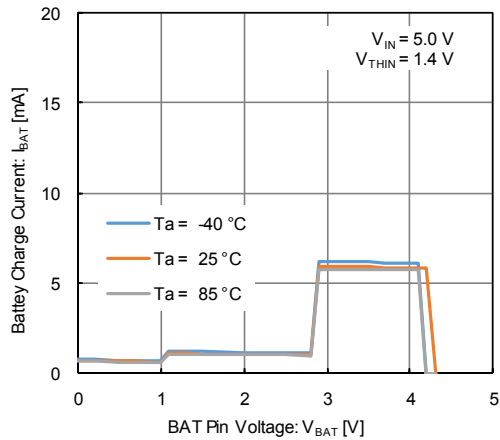
(9) Battery Charge Current vs. BAT Pin Voltage ( $R_{SET} = 59\text{ k}\Omega$ , Cold Operation)



(10) Battery Charge Current vs. BAT Pin Voltage ( $R_{SET} = 20\text{ k}\Omega$ , Normal Operation)



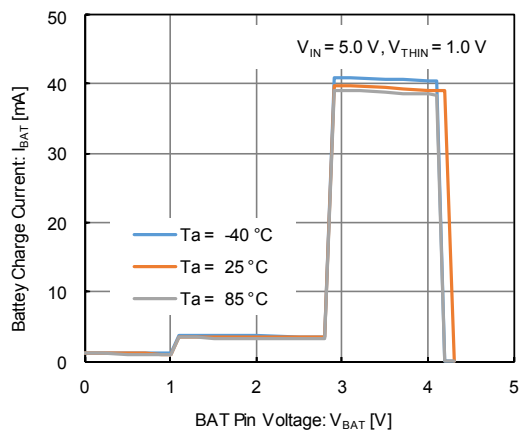
(11) Battery Charge Current vs. BAT Pin Voltage ( $R_{SET} = 20\text{ k}\Omega$ , Cold Operation)



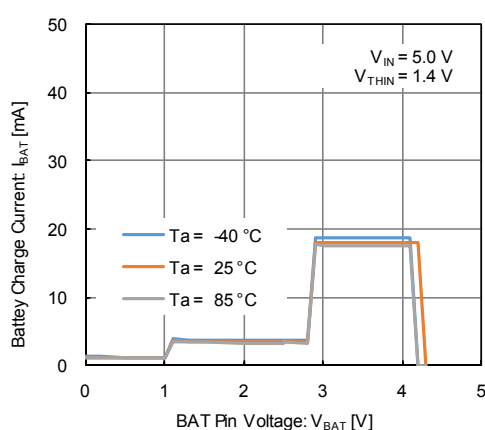


## ■ TYPICAL PERFORMANCE CHARACTERISTICS (Continued)

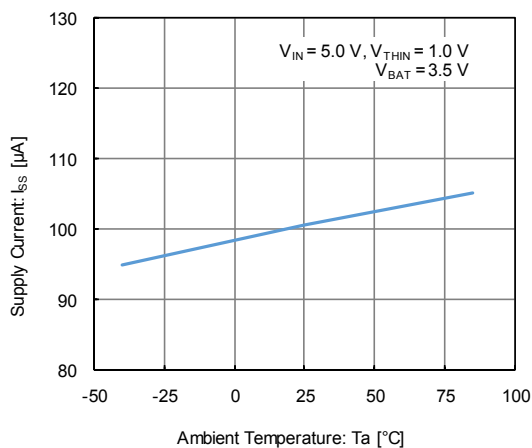
(12) Battery Charge Current vs. BAT Pin Voltage  
( $R_{SET} = 5.9\text{ k}\Omega$ , Normal Operation)



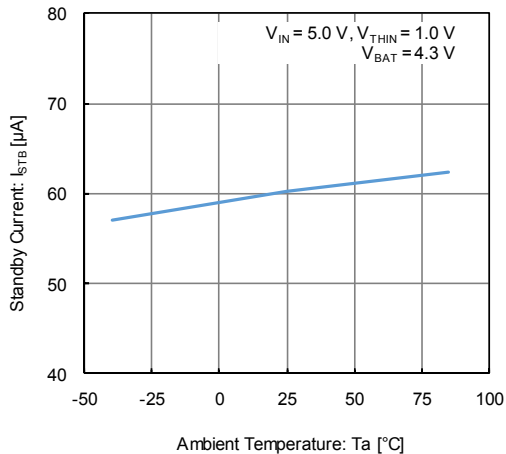
(13) Battery Charge Current vs. BAT Pin Voltage  
( $R_{SET} = 5.9\text{ k}\Omega$ , Cold Operation)



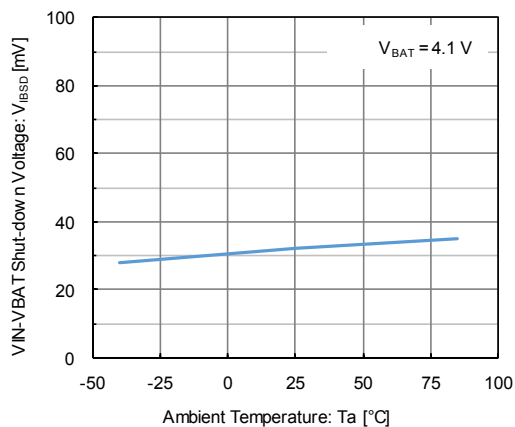
(14) Supply Current vs. Ambient Temperature



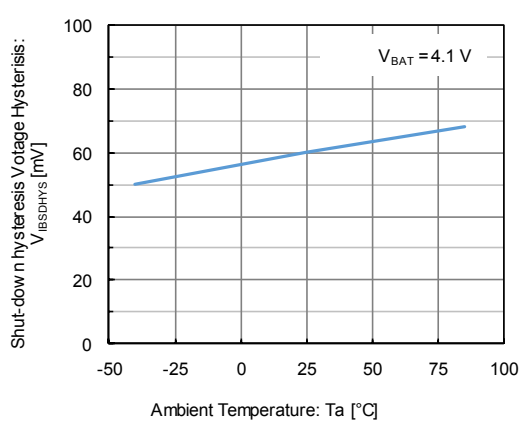
(15) Standby Current vs. Ambient Temperature



(16) VIN - VBAT Shut-down Voltage vs. Ambient Temperature

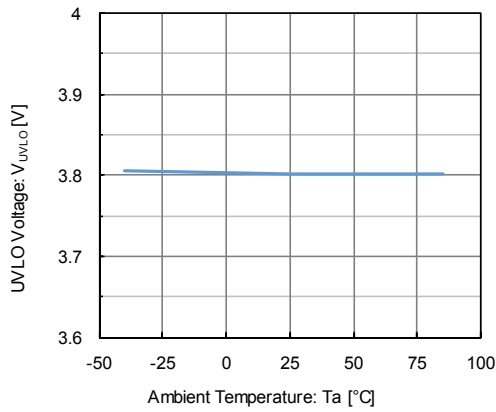


(17) Shut-down Hysteresis Voltage vs. Ambient Temperature

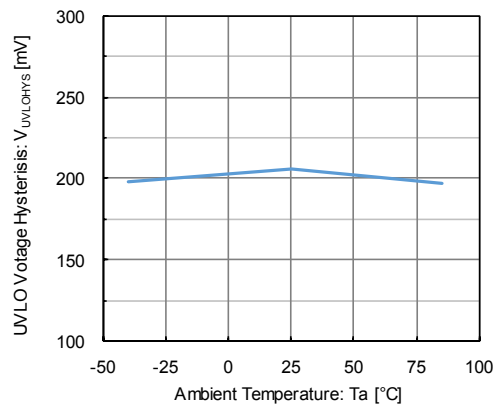


## TYPICAL PERFORMANCE CHARACTERISTICS (Continued)

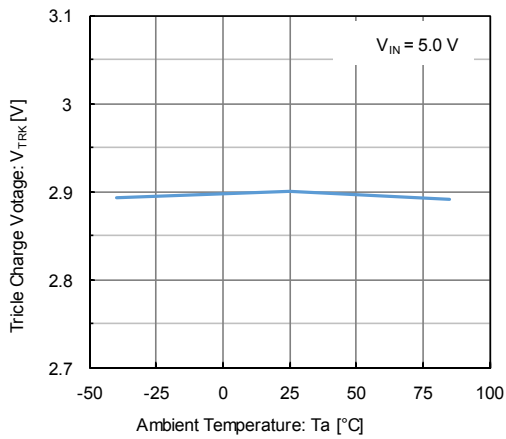
(18) UVLO Voltage vs. Ambient Temperature



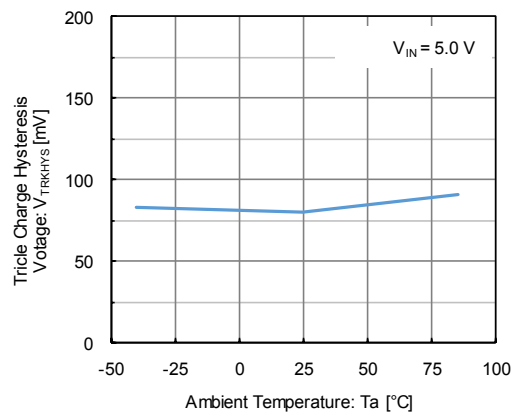
(19) UVLO Hysteresis Voltage vs. Ambient Temperature



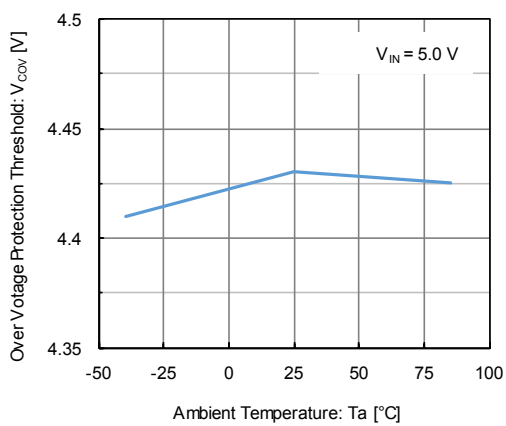
(20) Trickle Charge Voltage vs. Ambient Temperature



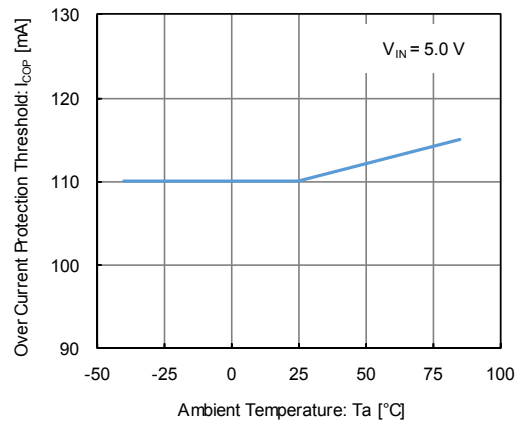
(21) Trickle Charge Hysteresis Voltage vs. Ambient Temperature



(22) Over Voltage Protection Threshold vs. Ambient Temperature

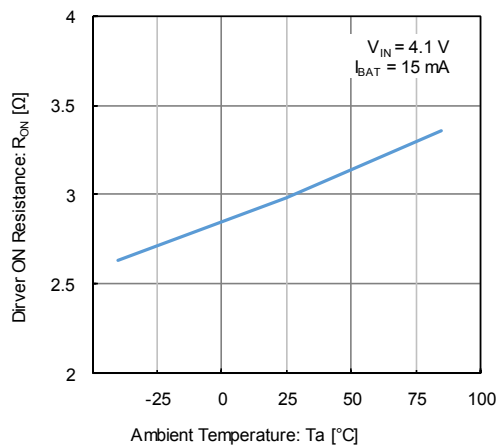


(23) Over Current Protection Threshold vs. Ambient Temperature

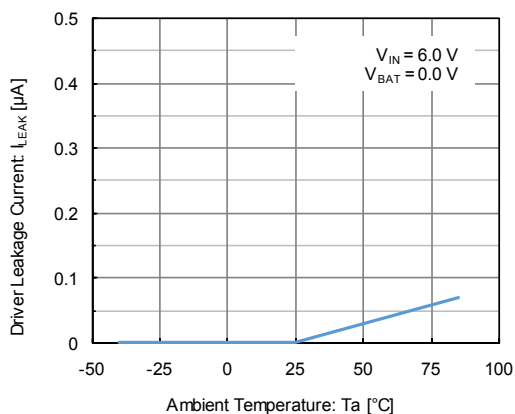


## ■ TYPICAL PERFORMANCE CHARACTERISTICS (Continued)

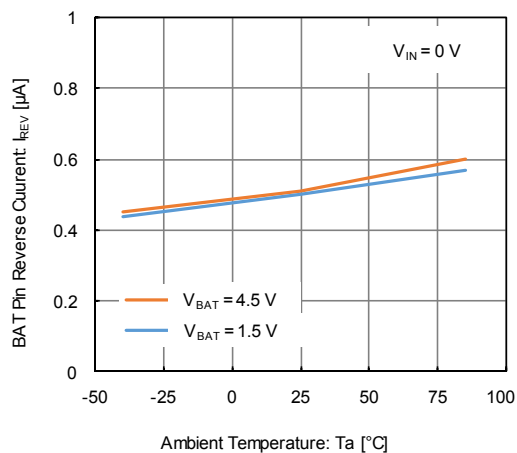
(24) Driver ON Resistance vs. Ambient Temperature



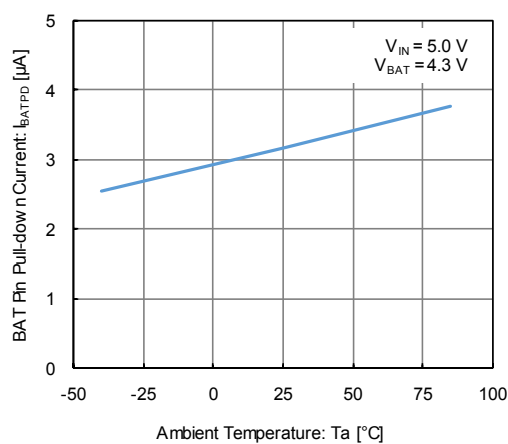
(25) Driver Leakage Current vs. Ambient Temperature



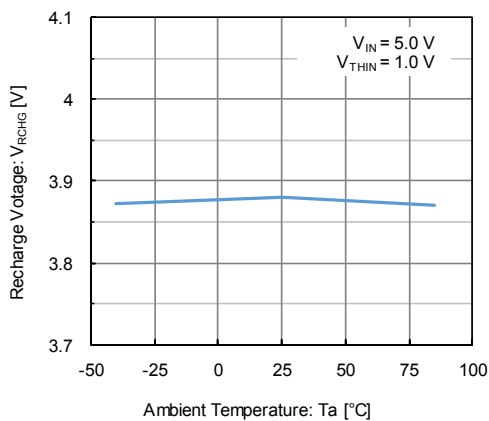
(26) BAT Pin Reverse Current vs. Ambient Temperature



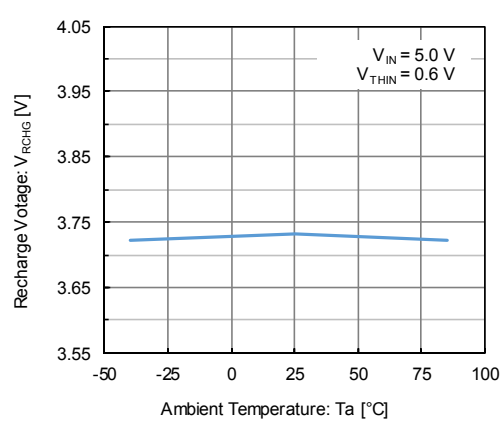
(27) BAT Pin Pull-down Current vs. Ambient Temperature



(28) Recharge Voltage vs. Ambient Temperature (Normal Operation)

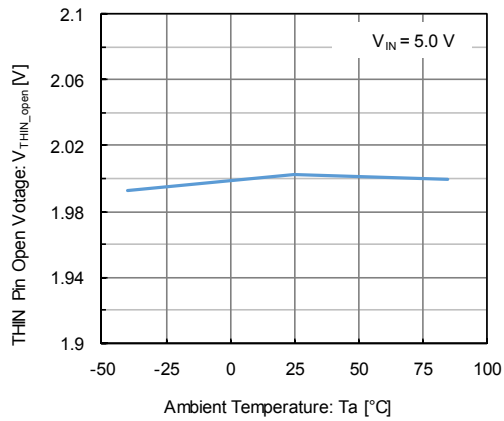


(29) Recharge Voltage vs. Ambient Temperature (Hot Operation)

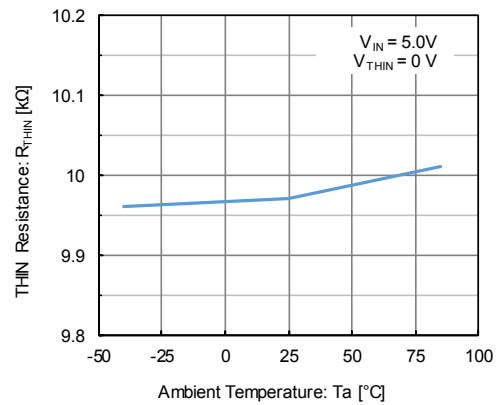


## TYPICAL PERFORMANCE CHARACTERISTICS (Continued)

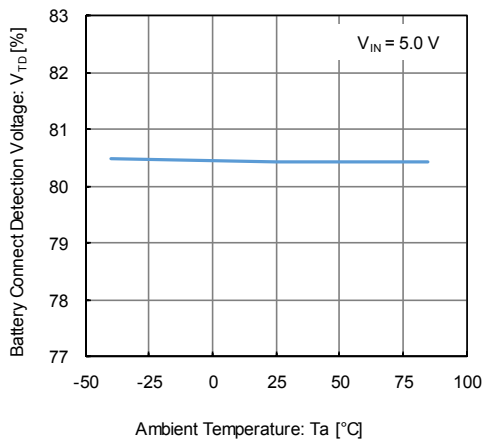
(30) THIN Pin Open Voltage vs. Ambient Temperature



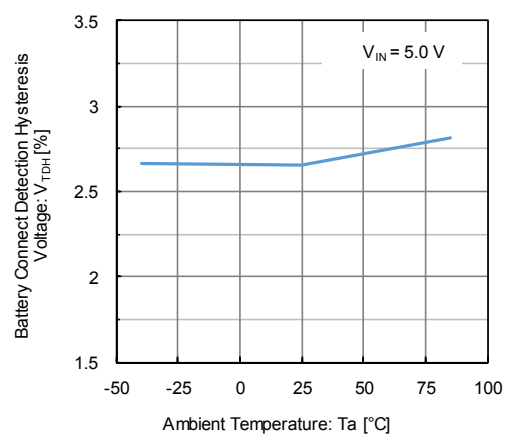
(31) THIN Pin Connected Resistance vs. Ambient Temperature



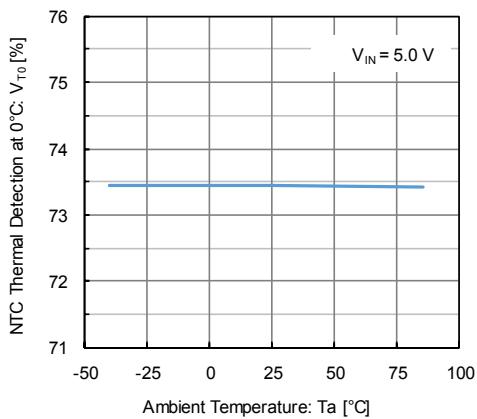
(32) Battery Connect Detection Voltage vs. Ambient Temperature



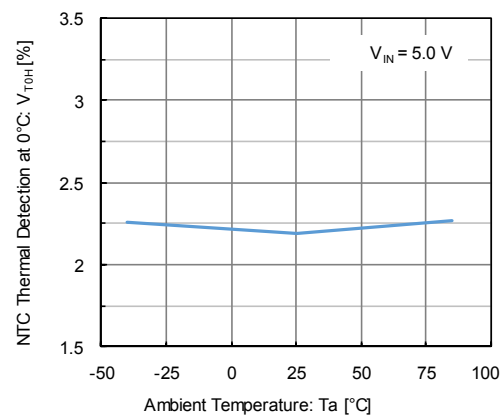
(33) Battery Connect Detection Hysteresis Voltage vs. Ambient Temperature



(34) Thermistor Detection at 0°C vs. Ambient Temperature

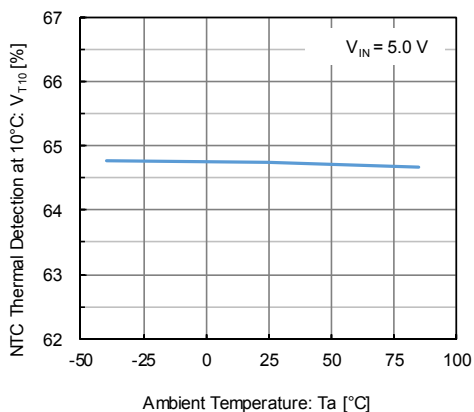


(35) Thermistor Detection Hysteresis at 0°C vs. Ambient Temperature

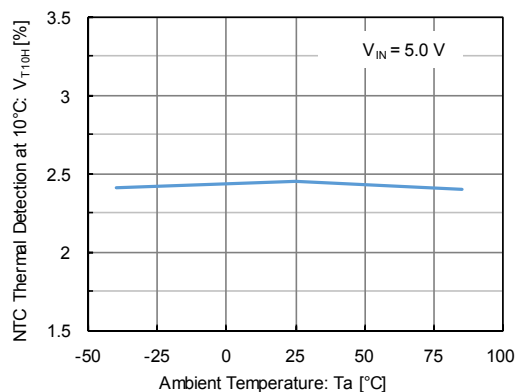


## ■ TYPICAL PERFORMANCE CHARACTERISTICS (Continued)

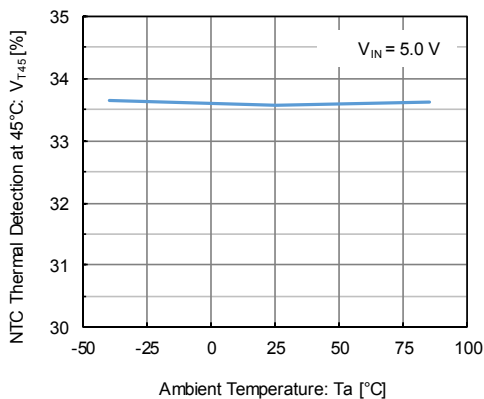
(36) Thermistor Detection at 10°C vs. Ambient Temperature



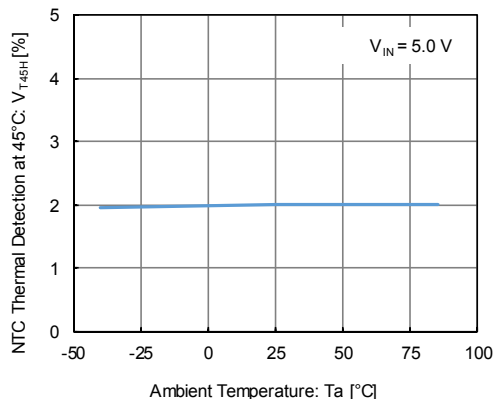
(37) Thermistor Detection Hysteresis at 10°C vs. Ambient Temperature



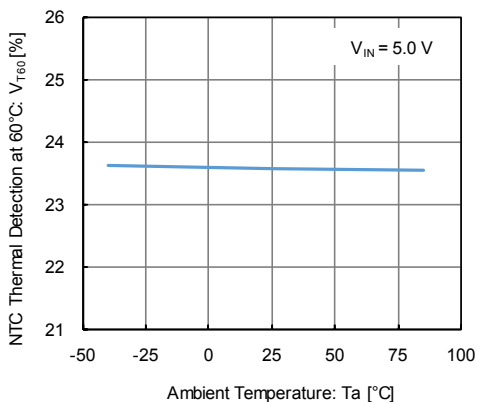
(38) Thermistor Detection at 45°C vs. Ambient Temperature



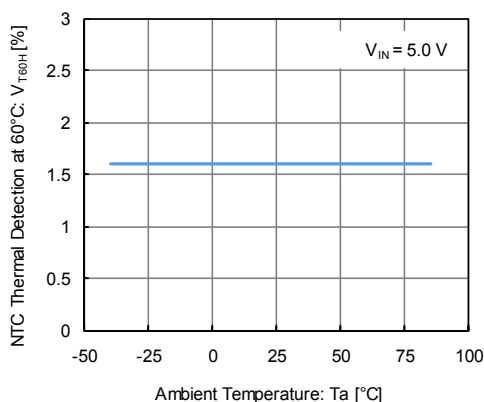
(39) Thermistor Detection Hysteresis at 45°C vs. Ambient Temperature



(40) Thermistor Detection at 60°C vs. Ambient Temperature

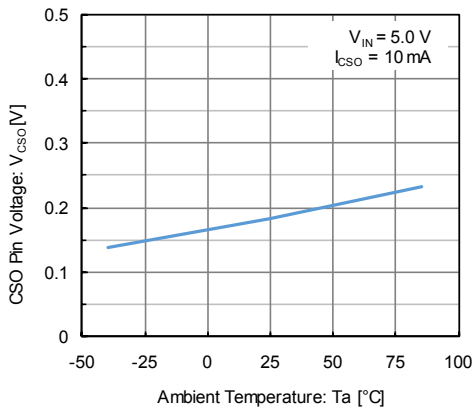


(41) Thermistor Detection Hysteresis at 60°C vs. Ambient Temperature

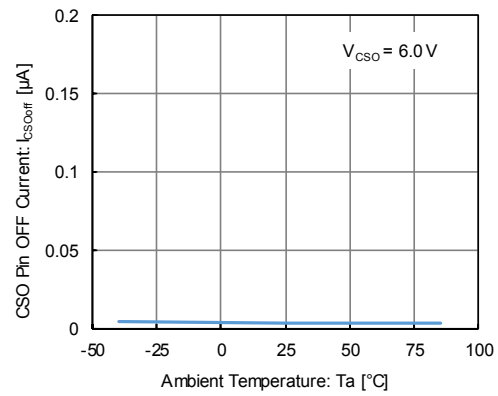


## TYPICAL PERFORMANCE CHARACTERISTICS (Continued)

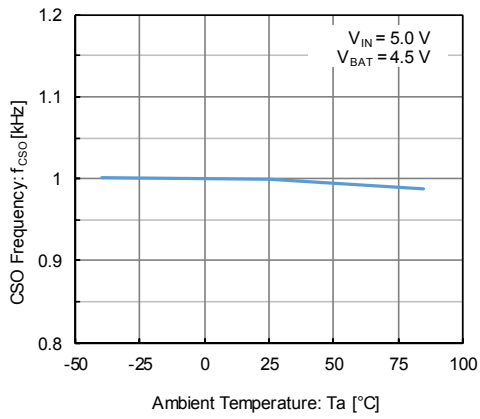
(42) CSO Pin ON Voltage vs. Ambient Temperature



(43) CSO Pin OFF Current vs. Ambient Temperature



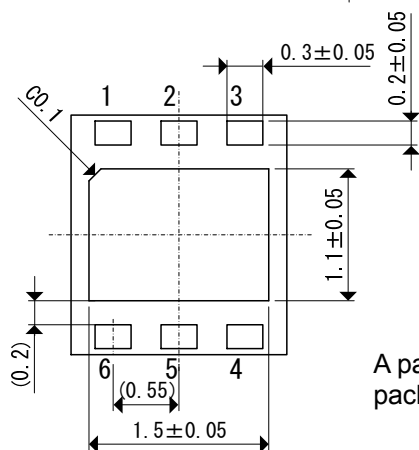
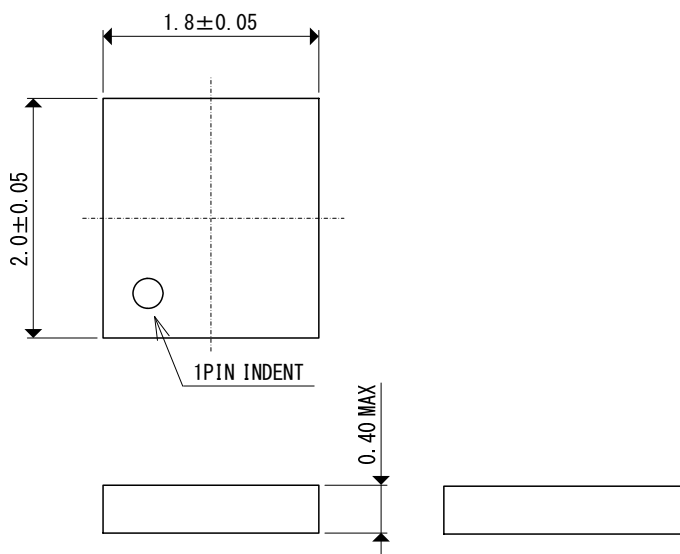
(44) CSO Frequency vs. Ambient Temperature



## PACKAGING INFORMATION

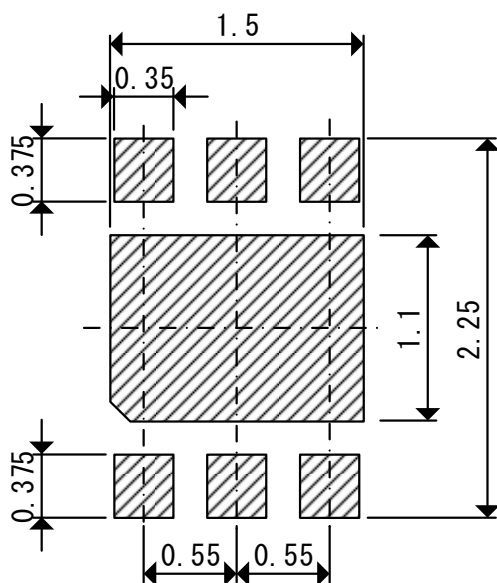
● USP-6EL

(unit: mm)

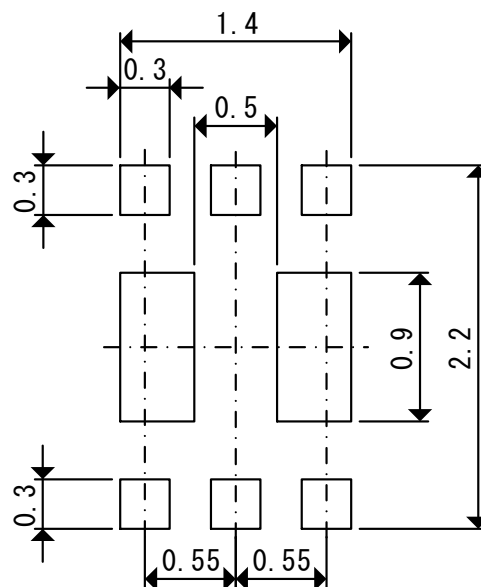


A part of the pin may appear from the side of the package because of its structure.

● USP-6EL Reference pattern layout



● USP-6EL Reference metal mask design

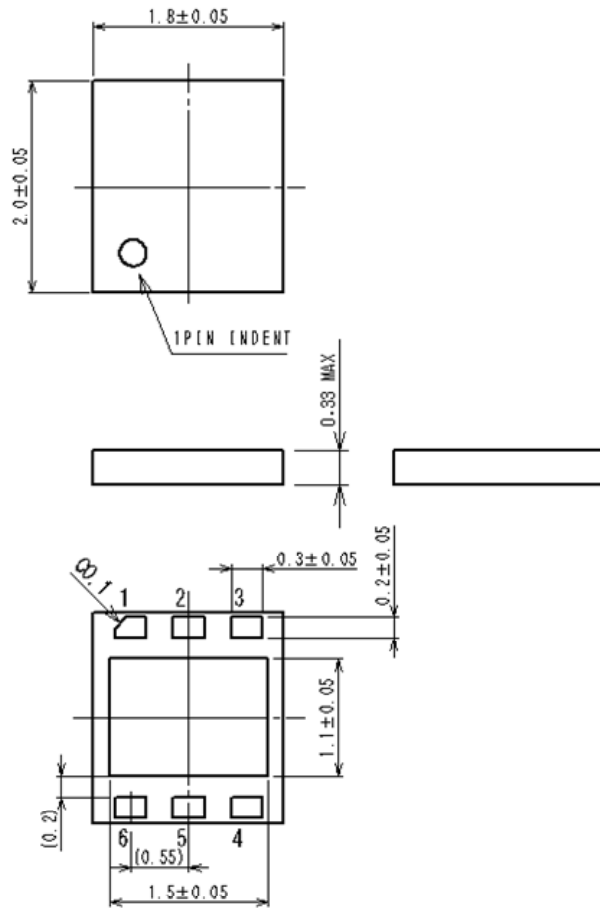


# XC6805 Series

## PACKAGING INFORMATION (Continued)

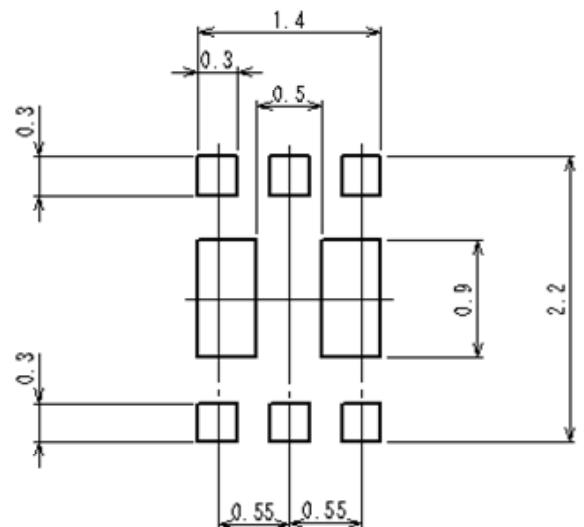
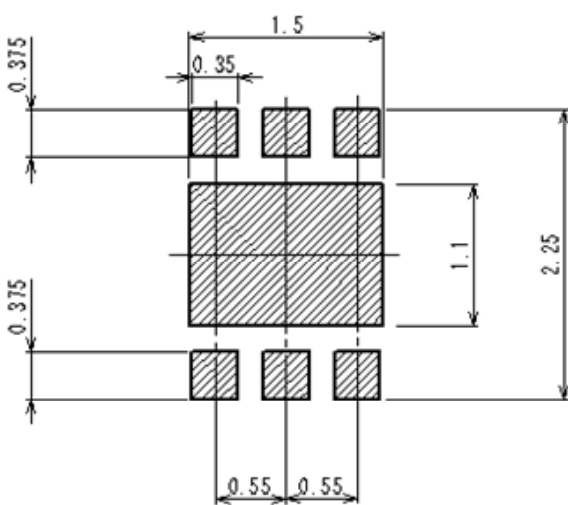
● USP-6B07

(unit: mm)



● USP-6B07 Reference pattern layout

● USP-6B07 Reference metal mask design





● USP-6EL (DAF), USP-6B07(DAF) Power Dissipation

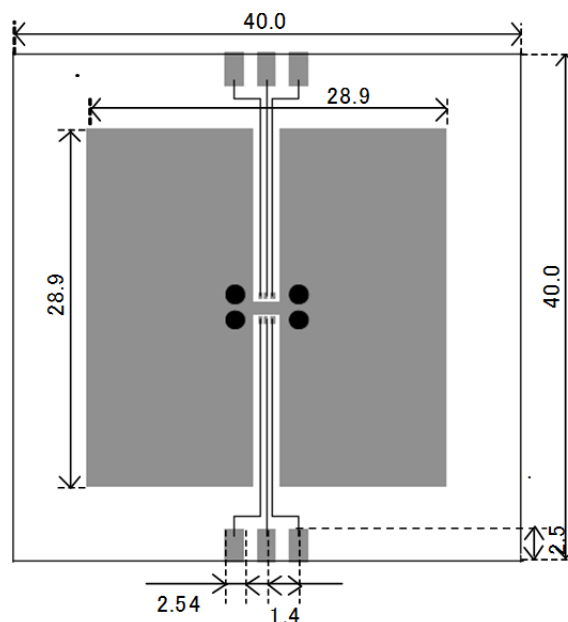
Power dissipation data for the USP-6EL(DAF),USP-6B07(DAF) is shown in this page.

The value of power dissipation varies with the mount board conditions.

Please use this data as one of reference data taken in the described condition.

1. Measurement Condition (Reference data)

- Condition: Mount on a board
- Ambient: Natural convection
- Soldering: Lead (Pb) free
- Board: Dimensions 40 x 40 mm (1600 mm<sup>2</sup> in one side)  
Copper (Cu) traces occupy 50% of the board area  
in top and back faces  
Package heat-sink is tied to the copper traces
- Material: Glass Epoxy (FR-4)
- Thickness: 1.6 mm
- Through-hole: 4 x 0.8 mm Diameter

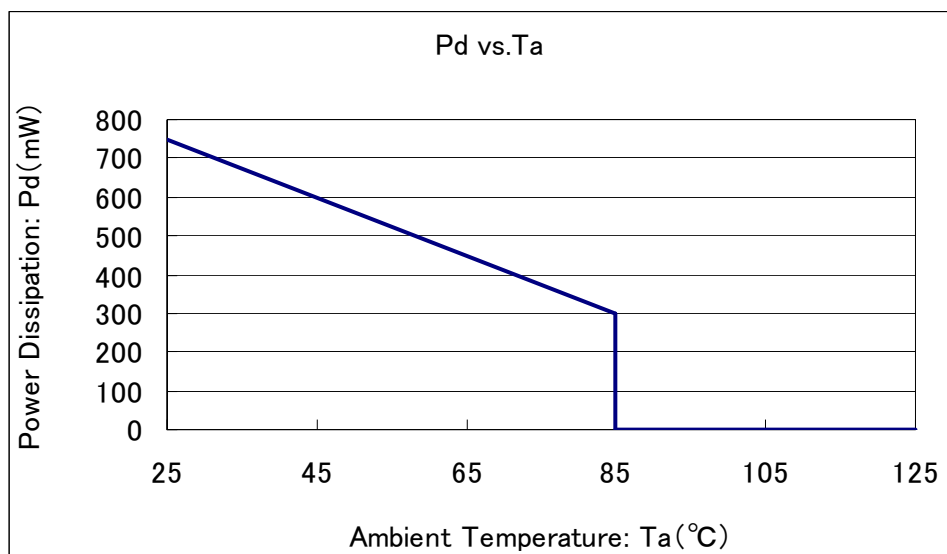


Evaluation board layout (Unit: mm)

2. Power Dissipation vs. Ambient temperature

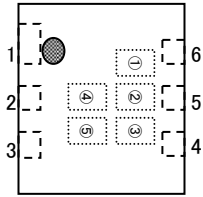
Board Mount ( $T_j \text{ max}=125^\circ\text{C}$ )

Ambient Temperature ( $^\circ\text{C}$ )	Power Dissipation Pd (mW)	Thermal Resistance ( $^\circ\text{C}/\text{W}$ )
25	750	133.33
85	300	



## MARKING RULE

### ● USP-6EL, USP-6B07



① represents product series.

MARK	PRODUCT SERIES
5	XC6805*****-G

② represents charge status output on abnormal mode.

MARK	PRODUCT SERIES
0	XC6805A*****-G
1	XC6805B*****-G

③ represents Battery Temperature Monitor Function and Trickle Charge Function.

MARK	BATTERY TEMPERATURE MONITOR FUNCTION	TRICKLE CHARGE FUNCTION	PRODUCT SERIES
H	2 Temperature Monitor	Enable	XC6805*2E**-G
F	2 Temperature Monitor	Disable	XC6805*2D**-G
E	3 Temperature Monitor	Enable	XC6805*3E**-G
D	3 Temperature Monitor	Disable	XC6805*3D**-G
C	4 Temperature Monitor	Enable	XC6805*4E**-G
B	4 Temperature Monitor	Disable	XC6805*4D**-G
L	No Temperature Monitor	Enable	XC6805*NE**-G
K	No Temperature Monitor	Disable	XC6805*ND**-G

④,⑤ represents production lot number

01 to 09, 0A to 0Z, 11 to 9Z, A1 to A9, AA to AZ, B1 to ZZ repeated  
(G, I, J, O, Q, W excluded)

\*No character inversion used.

1. The product and product specifications contained herein are subject to change without notice to improve performance characteristics. Consult us, or our representatives before use, to confirm that the information in this datasheet is up to date.
2. The information in this datasheet is intended to illustrate the operation and characteristics of our products. We neither make warranties or representations with respect to the accuracy or completeness of the information contained in this datasheet nor grant any license to any intellectual property rights of ours or any third party concerning with the information in this datasheet.
3. Applicable export control laws and regulations should be complied and the procedures required by such laws and regulations should also be followed, when the product or any information contained in this datasheet is exported.
4. The product is neither intended nor warranted for use in equipment of systems which require extremely high levels of quality and/or reliability and/or a malfunction or failure which may cause loss of human life, bodily injury, serious property damage including but not limited to devices or equipment used in 1) nuclear facilities, 2) aerospace industry, 3) medical facilities, 4) automobile industry and other transportation industry and 5) safety devices and safety equipment to control combustions and explosions. Do not use the product for the above use unless agreed by us in writing in advance.
5. Although we make continuous efforts to improve the quality and reliability of our products; nevertheless Semiconductors are likely to fail with a certain probability. So in order to prevent personal injury and/or property damage resulting from such failure, customers are required to incorporate adequate safety measures in their designs, such as system fail safes, redundancy and fire prevention features.
6. Our products are not designed to be Radiation-resistant.
7. Please use the product listed in this datasheet within the specified ranges.
8. We assume no responsibility for damage or loss due to abnormal use.
9. All rights reserved. No part of this datasheet may be copied or reproduced unless agreed by Torex Semiconductor Ltd in writing in advance.

TOREX SEMICONDUCTOR LTD.

单击下面可查看定价，库存，交付和生命周期等信息

[>>Torex Semiconductor\(特瑞仕\)](#)