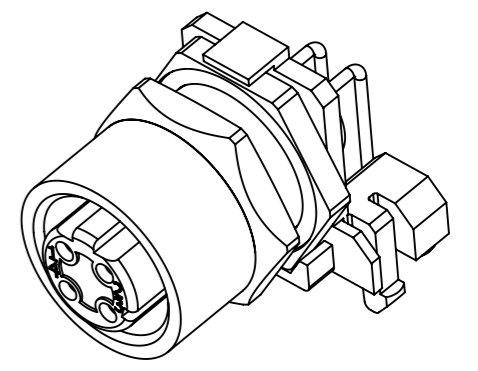
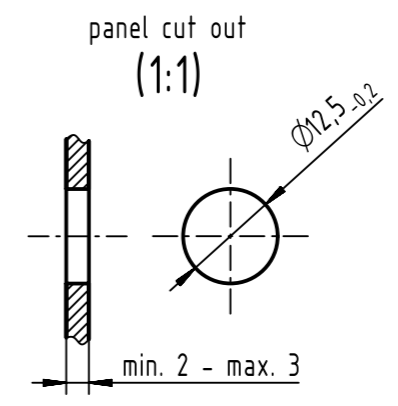
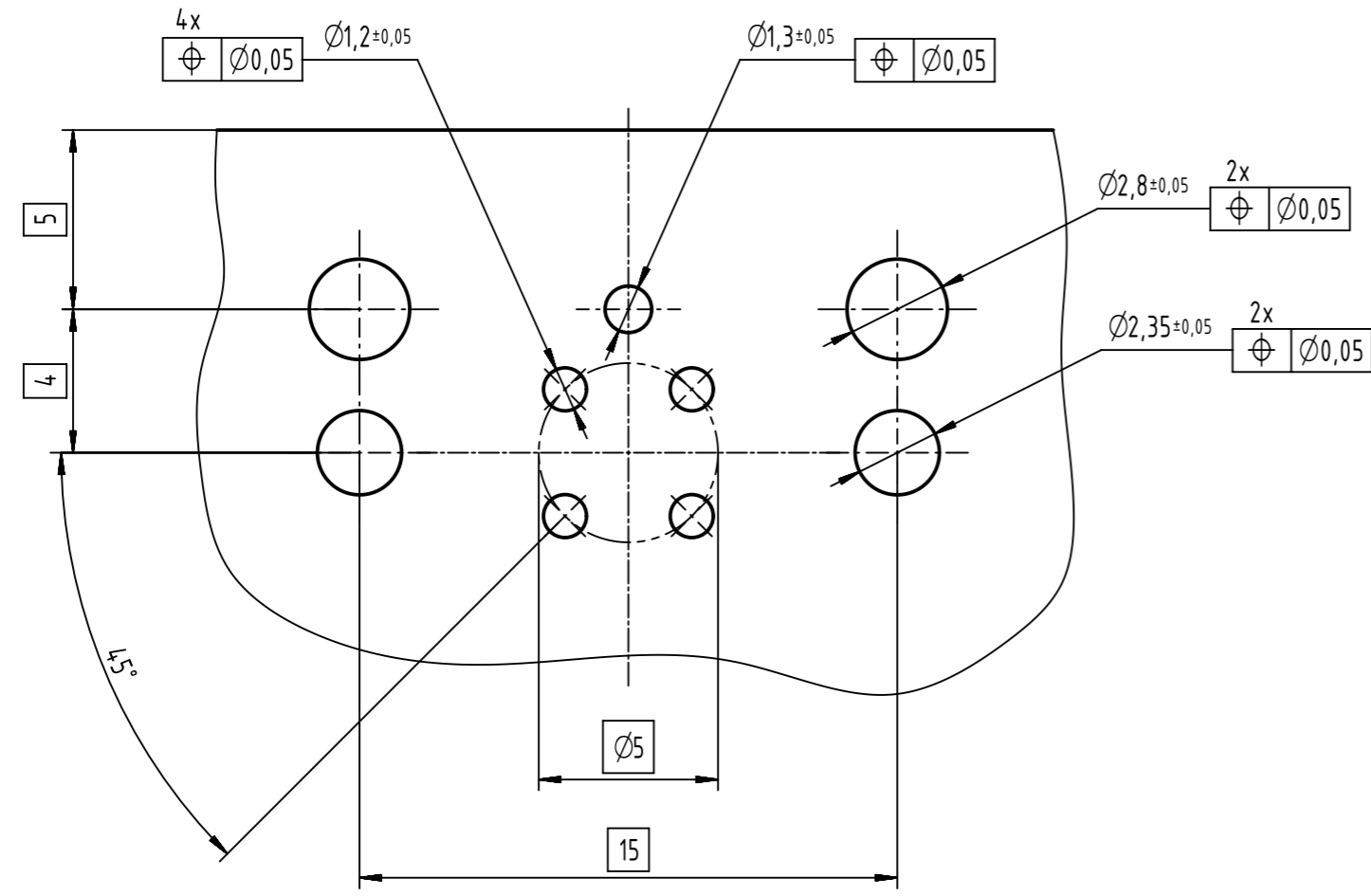


A(5:1)
recommended PCB layout



recommended PCB thickness: 1.6mm

	All rights reserved		Created by EISFELD		Inspected by WELLMANN		Standardisation HOFFMANN		Date 2016-04-04		State Final Release	
	Department EC PD - DE		Title HARTING M12 PCB fem D-cod 4-pole angular back mounting		Doc-Key / ECM-Nr. 100651928/UGD/000/B 500000101078		Rev. B		Page 1/1			
HARTING Electronics GmbH D-32339 Espelkamp		Type TB		Number 21033814440		Ref. Sub. TB 21033814440 500000098196 2015-12-09						

单击下面可查看定价，库存，交付和生命周期等信息

[>>HARTING](#)