

Overview

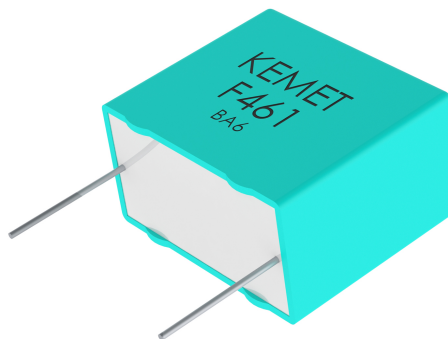
The F461 – 464 Series is a metallized polypropylene film encapsulated with self-extinguishing resin, in a box of material meeting the requirements of UL 94 V-0. Four different winding constructions are used depending on voltage and lead spacing. Please see Table 1 for more information.

Applications

Typical applications include pulse operation in switched mode power supplies (SMPS), electrical ballasts, inverter high frequency filtering and other high frequency applications demanding stable operation.

Benefits

- Rated voltage: 160 – 2,500 VDC
- Rated voltage: 90 – 900 VAC
- Capacitance range: 0.001 – 56 μ F
- Lead spacing: 5 – 37.5 mm
- Capacitance tolerance: \pm 5%, \pm 10%, other tolerances on request
- Climatic category: 55/105/56, IEC 60068-1
- Tape and reel packaging in accordance with IEC 60286-2
- RoHS Compliant and lead-free terminations
- Category temperature range of -55°C to +105°C
- Rated temperature +85°C



Part Number System

| F | 46x | K | E | 223 | J | 160 | C |
|-----------------|--|--|---------------------|--|--|---|----------------------------|
| Capacitor Class | Series | Lead Spacing (mm) | Size Code | Capacitance Code (μ F) | Capacitance Tolerance | Rated Voltage (VDC) | Packaging |
| F = Film | Metallized Polypropylene x = sections in construction | J = 5 K = 7.5 A = 10 B = 15 D = 22.5 F = 27.5 R = 37.5 | See Dimension Table | First two digits represent significant figures. Third digit specifies number of zeros. | J = \pm 5% K = \pm 10% Other tolerances on request | 160 = 160 250 = 250 400 = 400 630 = 630 1K0 = 1,000 1L2 = 1,250 1K6 = 1,600 2K0 = 2,000 2K5 = 2,500 | See Ordering Options Table |

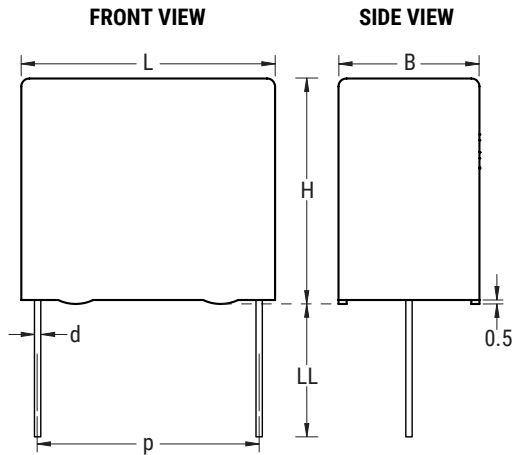
Ordering Options Table

| Lead Spacing Nominal (mm) | Type of Leads and Packaging | Lead Length (mm) | Lead and Packaging Code |
|---------------------------|--|----------------------------|-------------------------|
| 5 | Standard Lead and Packaging Options | | |
| | Bulk (Bag) – Short Leads | 4 +2/-0 | C |
| | Bulk (Bag) – Long Leads | 17 +0/-1 | A |
| | Tape & Reel (Standard Reel) | H ₀ = 18.5 ±0.5 | L |
| | Other Lead and Packaging Options | | |
| | Bulk (Bag) – Maximum Length Leads | 20 +5/-0 | ALL0L |
| | Ammo Pack | H ₀ = 18.5 ±0.5 | R |
| 7.5 | Standard Lead and Packaging Options | | |
| | Bulk (Bag) – Short Leads | 4 +2/-0 | C |
| | Bulk (Bag) – Long Leads | 17 +0/-1 | A |
| | Tape & Reel (Standard Reel) | H ₀ = 18.5 ±0.5 | L |
| | Other Lead and Packaging Options | | |
| | Bulk (Bag) – Maximum Length Leads | 20 +5/-0 | ALL0L |
| | Ammo Pack | H ₀ = 18.5 ±0.5 | R |
| 10 | Standard Lead and Packaging Options | | |
| | Bulk (Bag) – Short Leads | 4 +2/-0 | C |
| | Bulk (Bag) – Long Leads | 17 +0/-1 | A |
| | Tape & Reel (Standard Reel) | H ₀ = 18.5 ±0.5 | L |
| | Other Lead and Packaging Options | | |
| | Bulk (Bag) – Maximum Length Leads | 20 +5/-0 | ALL0L |
| | Ammo Pack | H ₀ = 18.5 ±0.5 | R |
| Tape & Reel (Large Reel) | H ₀ = 18.5 ±0.5 | P | |
| 15 | Standard Lead and Packaging Options | | |
| | Bulk (Bag) – Short Leads | 4 +2/-0 | C |
| | Bulk (Bag) – Long Leads | 17 +0/-1 | A |
| | Pizza Pack | 4 +2/-0 | Z |
| | Other Lead and Packaging Options | | |
| | Pizza – Short Leads | 3.2 +0.3/-0.2 | ZL32K |
| | Tape & Reel (Standard Reel) | H ₀ = 18.5 ±0.5 | L |
| | Tape & Reel (Large Reel) | H ₀ = 18.5 ±0.5 | P |
| | Bulk (Bag) – Maximum Length Leads | 25 +5/-0 | ALR0L |
| Ammo Pack | H ₀ = 18.5 ±0.5 | R | |

Ordering Options Table cont'd

| Lead Spacing Nominal (mm) | Type of Leads and Packaging | Lead Length (mm) | Lead and Packaging Code |
|---------------------------|--|----------------------------|-------------------------|
| 22.5 | Standard Lead and Packaging Options | | |
| | Pizza – Long Leads | 17 +0/-1 | ZLH0J |
| | Pizza Pack | 4 +2/-0 | Z |
| | Other Lead and Packaging Options | | |
| | Pizza – Short Leads | 3.2 +0.3/-0.2 | ZL32K |
| | Tape & Reel (Standard Reel) | H ₀ = 18.5 ±0.5 | L |
| | Tape & Reel (Large Reel) | H ₀ = 18.5 ±0.5 | P |
| | Ammo Pack | H ₀ = 18.5 ±0.5 | R |
| 27.5 | Standard Lead and Packaging Options | | |
| | Pizza – Long Leads | 17 +0/-1 | ZLH0J |
| | Other Lead and Packaging Options | | |
| | Pizza Pack | 4 +2/-0 | Z |
| | Pizza – Short Leads | 3.2 +0.3/-0.2 | ZL32K |
| 37.5 | Standard Lead and Packaging Options | | |
| | Pizza – Long Leads | 17 +0/-1 | ZLH0J |
| | Other Lead and Packaging Options | | |
| | Pizza Pack | 4 +2/-0 | Z |
| | Pizza – Short Leads | 3.2 +0.3/-0.2 | ZL32K |

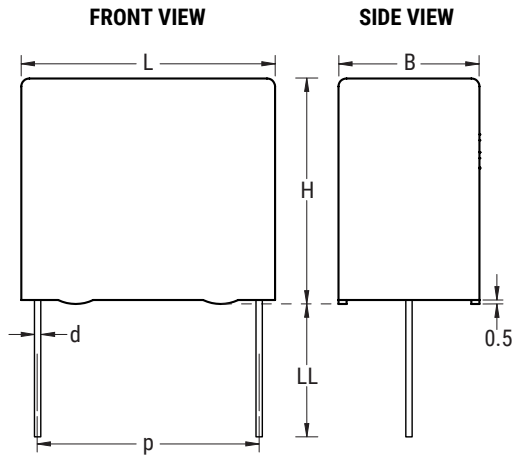
Dimensions – Millimeters



| Size Code | p | | B | | H | | L | | d | |
|-----------|---------|-----------|---------|-----------|---------|-----------|---------|-----------|---------|-----------|
| | Nominal | Tolerance | Nominal | Tolerance | Nominal | Tolerance | Nominal | Tolerance | Nominal | Tolerance |
| JF | 5.0 | ±0.4 | 2.5 | Maximum | 6.5 | Maximum | 7.2 | Maximum | 0.5 | ±0.05 |
| JG | 5.0 | ±0.4 | 3.5 | Maximum | 7.5 | Maximum | 7.2 | Maximum | 0.5 | ±0.05 |
| JM | 5.0 | ±0.4 | 4.5 | Maximum | 9.5 | Maximum | 7.2 | Maximum | 0.5 | ±0.05 |
| JQ | 5.0 | ±0.4 | 5.0 | Maximum | 10.0 | Maximum | 7.2 | Maximum | 0.5 | ±0.05 |
| JT | 5.0 | ±0.4 | 6.0 | Maximum | 11.0 | Maximum | 7.2 | Maximum | 0.5 | ±0.05 |
| JU | 5.0 | ±0.4 | 7.2 | Maximum | 13.0 | Maximum | 7.2 | Maximum | 0.5 | ±0.05 |
| KE | 7.5 | ±0.4 | 2.5 | Maximum | 6.0 | Maximum | 10.0 | Maximum | 0.6 | ±0.05 |
| KF | 7.5 | ±0.4 | 3.0 | Maximum | 8.0 | Maximum | 10.0 | Maximum | 0.6 | ±0.05 |
| KG | 7.5 | ±0.4 | 4.0 | Maximum | 8.0 | Maximum | 10.0 | Maximum | 0.6 | ±0.05 |
| KJ | 7.5 | ±0.4 | 5.0 | Maximum | 10.5 | Maximum | 10.0 | Maximum | 0.6 | ±0.05 |
| KM | 7.5 | ±0.4 | 6.0 | Maximum | 12.0 | Maximum | 10.5 | Maximum | 0.6 | ±0.05 |
| AG | 10.0 | ±0.4 | 4.0 | Maximum | 9.0 | Maximum | 13.0 | Maximum | 0.6 | ±0.05 |
| AK | 10.0 | ±0.4 | 5.0 | Maximum | 11.0 | Maximum | 13.0 | Maximum | 0.6 | ±0.05 |
| AP | 10.0 | ±0.4 | 6.0 | Maximum | 12.0 | Maximum | 13.0 | Maximum | 0.6 | ±0.05 |
| BB | 15.0 | ±0.4 | 4.0 | Maximum | 10.0 | Maximum | 18.0 | Maximum | 0.8 | ±0.05 |
| BC | 15.0 | ±0.4 | 5.0 | Maximum | 11.0 | Maximum | 18.0 | Maximum | 0.8 | ±0.05 |
| BE | 15.0 | ±0.4 | 5.5 | Maximum | 12.5 | Maximum | 18.0 | Maximum | 0.8 | ±0.05 |
| BG | 15.0 | ±0.4 | 6.0 | Maximum | 12.0 | Maximum | 18.0 | Maximum | 0.8 | ±0.05 |
| BK | 15.0 | ±0.4 | 7.5 | Maximum | 13.5 | Maximum | 18.0 | Maximum | 0.8 | ±0.05 |
| BI | 15.0 | ±0.4 | 6.0 | Maximum | 17.5 | Maximum | 18.0 | Maximum | 0.8 | ±0.05 |
| BP | 15.0 | ±0.4 | 8.5 | Maximum | 14.5 | Maximum | 18.0 | Maximum | 0.8 | ±0.05 |
| BS | 15.0 | ±0.4 | 10.0 | Maximum | 16.0 | Maximum | 18.0 | Maximum | 0.8 | ±0.05 |
| BY | 15.0 | ±0.4 | 11.0 | Maximum | 19.0 | Maximum | 18.0 | Maximum | 0.8 | ±0.05 |
| DB | 22.5 | ±0.4 | 6.0 | Maximum | 14.5 | Maximum | 26.0 | Maximum | 0.8 | ±0.05 |
| DI | 22.5 | ±0.4 | 7.0 | Maximum | 16.0 | Maximum | 26.0 | Maximum | 0.8 | ±0.05 |
| DH | 22.5 | ±0.4 | 8.0 | Maximum | 16.0 | Maximum | 26.0 | Maximum | 0.8 | ±0.05 |
| DJ | 22.5 | ±0.4 | 8.5 | Maximum | 17.0 | Maximum | 26.0 | Maximum | 0.8 | ±0.05 |
| DM | 22.5 | ±0.4 | 9.0 | Maximum | 18.5 | Maximum | 26.0 | Maximum | 0.8 | ±0.05 |
| DO | 22.5 | ±0.4 | 10.0 | Maximum | 18.5 | Maximum | 26.0 | Maximum | 0.8 | ±0.05 |

Note: See Ordering Options Table for lead length (LL) options.

Dimensions – Millimeters cont'd



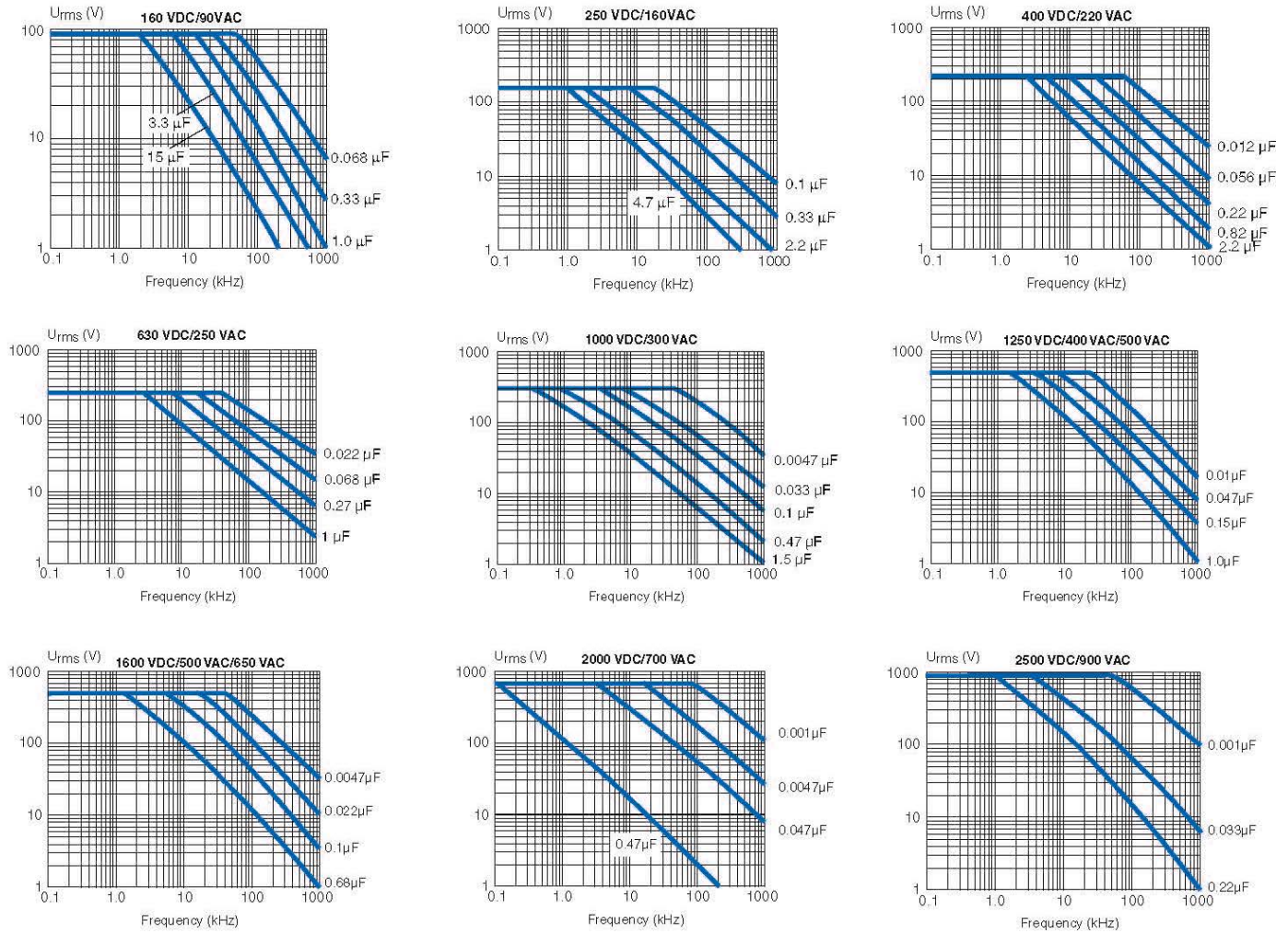
| Size Code | p | | B | | H | | L | | d | |
|-----------|---------|-----------|---------|-----------|---------|-----------|---------|-----------|---------|-----------|
| | Nominal | Tolerance | Nominal | Tolerance | Nominal | Tolerance | Nominal | Tolerance | Nominal | Tolerance |
| DP | 22.5 | ±0.4 | 11.0 | Maximum | 20.0 | Maximum | 26.0 | Maximum | 0.8 | ±0.05 |
| DU | 22.5 | ±0.4 | 13.0 | Maximum | 22.0 | Maximum | 26.0 | Maximum | 0.8 | ±0.05 |
| DY | 22.5 | ±0.4 | 15.5 | Maximum | 24.5 | Maximum | 26.0 | Maximum | 0.8 | ±0.05 |
| FB | 27.5 | ±0.4 | 9.0 | Maximum | 17.0 | Maximum | 31.5 | Maximum | 0.8 | ±0.05 |
| FC | 27.5 | ±0.4 | 11.0 | Maximum | 20.0 | Maximum | 31.5 | Maximum | 0.8 | ±0.05 |
| FI | 27.5 | ±0.4 | 13.0 | Maximum | 25.0 | Maximum | 31.5 | Maximum | 0.8 | ±0.05 |
| FN | 27.5 | ±0.4 | 14.0 | Maximum | 28.0 | Maximum | 31.5 | Maximum | 0.8 | ±0.05 |
| FR | 27.5 | ±0.4 | 17.5 | Maximum | 28.0 | Maximum | 31.5 | Maximum | 0.8 | ±0.05 |
| FS | 27.5 | ±0.4 | 19.0 | Maximum | 29.0 | Maximum | 31.5 | Maximum | 0.8 | ±0.05 |
| FY | 27.5 | ±0.4 | 22.0 | Maximum | 37.0 | Maximum | 31.5 | Maximum | 0.8 | ±0.05 |
| RB | 37.5 | ±0.5 | 11.0 | Maximum | 22.0 | Maximum | 41.0 | Maximum | 1 | ±0.05 |
| RF | 37.5 | ±0.5 | 13.0 | Maximum | 24.0 | Maximum | 41.0 | Maximum | 1 | ±0.05 |
| RH | 37.5 | ±0.5 | 15.0 | Maximum | 26.0 | Maximum | 41.0 | Maximum | 1 | ±0.05 |
| RC | 37.5 | ±0.5 | 16.0 | Maximum | 28.5 | Maximum | 41.0 | Maximum | 1 | ±0.05 |
| RD | 37.5 | ±0.5 | 19.0 | Maximum | 32.0 | Maximum | 41.0 | Maximum | 1 | ±0.05 |
| RP | 37.5 | ±0.5 | 21.0 | Maximum | 38.0 | Maximum | 41.0 | Maximum | 1 | ±0.05 |
| RO | 37.5 | ±0.5 | 24.0 | Maximum | 44.0 | Maximum | 41.0 | Maximum | 1 | ±0.05 |
| RU | 37.5 | ±0.5 | 30.0 | Maximum | 45.0 | Maximum | 41.0 | Maximum | 1 | ±0.05 |

Note: See Ordering Options Table for lead length (LL) options.

Performance Characteristics

| Series | F461 | F461 | F461 | F461 | F462 | F462 | F463 | F462 | F463 | F463 | F464 |
|----------------------------|---|--------------|----------------|-----------------|---------------------|------------------|-----------------|----------------|-----------------|------------------|-----------------|
| Sections | 1 | 1 | 1 | 1 | 2 | 2 | 3 | 2 | 3 | 3 | 4 |
| Voltage Range (VDC) | 160 | 250 | 400 | 630 | 1,000 | 1,250 | 1,250 | 1,600 | 1,600 | 2,000 | 2,500 |
| Voltage Range (VAC) | 90 | 160 | 220 | 250 | 300 | 400 | 500 | 500 | 650 | 700 | 900 |
| Capacitance Range (µF) | 0.01 – 56 | 0.01 – 39 | 0.0033 – 18 | 0.0015 – 8.2 | 0.0047 – 3.9 | 0.0033 – 2.7 | 0.0047 – 2.2 | 0.001 – 1.5 | 0.0033 – 1.5 | 0.0010 – 0.82 | 0.001 – 0.56 |
| Capacitance Values | In accordance with IEC E12 series | | | | | | | | | | |
| Capacitance Tolerance | ±5%, ±10%, other tolerances on request | | | | | | | | | | |
| Category Temperature Range | –55°C to +105°C | | | | | | | | | | |
| Rated Temperature | +85°C | | | | | | | | | | |
| Voltage Derating DC | The rated voltage is decreased with 2.0%/°C between +85°C and +105°C | | | | | | | | | | |
| Voltage Derating AC | The voltage is decreased with 1.25%/°C between +85°C and +105°C | | | | | | | | | | |
| Climatic Category | IEC 60068–1, 55/105/56 | | | | | | | | | | |
| Passive Flammability | Category B or C according to IEC 60384–1 depending on size | | | | | | | | | | |
| Maximum Pulse Steepness | dV/dt according to Table 1. For peak to peak voltages lower than rated voltage ($V_{pp} < V_R$), the specified dV/dt can be multiplied by the factor V_R/V_{pp} . | | | | | | | | | | |
| Temperature Coefficient | –200 (+50, –100) ppm/°C (at 1 kHz) | | | | | | | | | | |
| Self-Inductance | Approximately 6 nH/cm for the total length of capacitor winding and the leads | | | | | | | | | | |
| Dissipation Factor tand | Maximum Values at +23°C | | | | | | | | | | |
| | | C ≤ 0.1 µF | | | 0.1 µF < C ≤ 1.0 µF | | | C > 1.0 µF | | | |
| | 1 kHz | 0.0005 | | | 0.0005 | | | 0.001 | | | |
| | 10 kHz | 0.0006 | | | 0.0008 | | | – | | | |
| | 100 kHz | 0.0025 | | | – | | | – | | | |
| Insulation Resistance | Measured at +23°C, 100 VDC 60 seconds for $V_R < 500$ VDC and at 500 VDC for $V_R ≥ 500$ VDC | | | | | | | | | | |
| | Minimum Values Between Terminals | | | | | | | | | | |
| | C ≤ 0.33 µF | | | | | ≥ 100,000 MΩ | | | | | |
| | C > 0.33 µF | | | | | ≥ 30,000 MΩ · µF | | | | | |
| | Minimum Values Between Terminals and Case | | | | | | | | | | |
| | | | | | ≥ 100,000 MΩ | | | | | | |

Derating of V_{rms} vs. Frequency, +85°C Ambient Temperature and 10°C Internal Heating, Typical Values



Environmental Test Data

| Test | IEC Publication | Procedure | Requirements |
|------------------------------|-------------------------|--|---|
| Voltage Proof | 60384-1 Clause 4.6 | $1.6 \times V_R$ after 60 seconds | The capacitors must withstand the voltage without breakdowns or flashovers and without decreased insulation resistance below the value in each detail specification. No visible damage |
| | Clause 4.6 2.3 | $2 \times V_R$ (minimum 400 VDC to case) after 60 seconds | As above |
| Vibration | 60068-2-6 Test Fc | 6 hours with 10 – 500 Hz and 0.75 mm amplitude or 98 m/s ² depending on frequency | No visible damage $\tan\delta \leq 1.2 \times$ stated value at 100 kHz $\Delta C/C \leq \pm 0.5\%$ |
| Bump | 60068-2-29 Test Eb | 4,000 bumps with 390 m/s ² mounted on PCB | $\Delta C/C \leq \pm 0.5\%$ $\tan\delta \leq 1.2 \times$ stated value at 100 kHz Insulation resistance: $\geq 100,000 \text{ M}\Omega$ for $C_R \leq 0.33 \mu\text{F}$ $\geq 30,000 \text{ M}\Omega, \mu\text{F}$ for $C_R > 0.33 \mu\text{F}$ |
| Resistance to Soldering Heat | 60068-2-20 Method 1A | Solder bath at +260°C ±5°C with screening | Immersion of the terminations into the solder bath shall be completed in a time not exceeding 1 second and the terminations shall remain immersed to the specified depth for 10 +1 second and then be withdrawn. $\Delta C/C \leq \pm 1.0\%$ $\tan\delta$ increase < 0.001 No visible damage |
| Climatic Sequence | 60384-1 Paragraph 4:21 | 60068-2.2 dry heat 16 hours 60068-2-34 damp heat, one cycle, 60068-2-1 Test Aa 2 hours | Insulation resistance: $\geq 100,000 \text{ M}\Omega$ for $C_R \leq 0.33 \mu\text{F}$ $\geq 30,000 \text{ M}\Omega, \mu\text{F}$ for $C_R > 0.33 \mu\text{F}$ $\Delta C/C \leq \pm 0.5\%$ $\tan\delta \leq 1.2 \times$ stated value at 100 kHz |
| Damp Heat Steady State | 60068-2-3 Test Ca | +40°C and 90% – D1095% RH | 56 days no visible damage Insulation resistance: $\geq 50,000 \text{ M}\Omega$ for $C_R \leq 0.33 \mu\text{F}$ $\geq 15,000 \text{ M}\Omega \cdot \mu\text{F}$ for $C_R > 0.33 \mu\text{F}$ $\Delta C/C \leq \pm 1\%$ $\tan\delta \leq 1.2 \times$ stated value at 100 kHz |
| Endurance, AC | | 1,000 hours at +85°C and $1.25 \times V_R$ AC | No visible damage $\Delta C/C \leq \pm 3\%$ $\tan\delta \leq 1.5 \times$ stated value at 100 kHz Insulation resistance: $\geq 100,000 \text{ M}\Omega$ for $C_R \leq 0.33 \mu\text{F}$ $\geq 30,000 \text{ M}\Omega, \mu\text{F}$ for $C_R > 0.33 \mu\text{F}$ |
| Charge and Discharge | 60384-17 Paragraph 4.13 | 10,000 pulses and with (2 x) dV/dt according to detail specification | $\tan\delta$ (100 kHz) $\leq 2 \times$ stated value (100 kHz) $\Delta C/C \leq \pm 0.5\%$ Insulation resistance: $\geq 50,000 \text{ M}\Omega$ for $C_R \leq 0.33 \mu\text{F}$ $\geq 15,000 \text{ M}\Omega, \mu\text{F}$ for $C_R > 0.33 \mu\text{F}$ |

Environmental Compliance

All KEMET MKP capacitors are RoHS Compliant and Halogen Free.



Table 1 – Ratings & Part Number Reference

| VDC | VAC | Capacitance Value (µF) | Size Code | Max Dimensions in mm | | | Lead Spacing (p) | dV/dt (V/µs) | Part Number |
|-----|-----|------------------------|-----------|----------------------|--------|--------|------------------|--------------|--------------------|
| | | | | B | H | L | | | |
| 160 | 90 | 0.01 | JF | 2.5 | 6.5 | 7.2 | 5.0 | 100 | F461JF103(1)160(2) |
| 160 | 90 | 0.012 | JF | 2.5 | 6.5 | 7.2 | 5.0 | 100 | F461JF123(1)160(2) |
| 160 | 90 | 0.015 | JF | 2.5 | 6.5 | 7.2 | 5.0 | 100 | F461JF153(1)160(2) |
| 160 | 90 | 0.018 | JF | 2.5 | 6.5 | 7.2 | 5.0 | 100 | F461JF183(1)160(2) |
| 160 | 90 | 0.022 | JG | 3.5 | 7.5 | 7.2 | 5.0 | 100 | F461JG223(1)160(2) |
| 160 | 90 | 0.027 | JG | 3.5 | 7.5 | 7.2 | 5.0 | 100 | F461JG273(1)160(2) |
| 160 | 90 | 0.033 | JG | 3.5 | 7.5 | 7.2 | 5.0 | 100 | F461JG333(1)160(2) |
| 160 | 90 | 0.039 | JG | 3.5 | 7.5 | 7.2 | 5.0 | 100 | F461JG393(1)160(2) |
| 160 | 90 | 0.047 | JM | 4.5 | 9.5 | 7.2 | 5.0 | 100 | F461JM473(1)160(2) |
| 160 | 90 | 0.056 | JM | 4.5 | 9.5 | 7.2 | 5.0 | 100 | F461JM563(1)160(2) |
| 160 | 90 | 0.068 | JM | 4.5 | 9.5 | 7.2 | 5.0 | 100 | F461JM683(1)160(2) |
| 160 | 90 | 0.082 | JM | 4.5 | 9.5 | 7.2 | 5.0 | 100 | F461JM823(1)160(2) |
| 160 | 90 | 0.1 | JT | 6.0 | 11.0 | 7.2 | 5.0 | 100 | F461JT104(1)160(2) |
| 160 | 90 | 0.12 | JT | 6.0 | 11.0 | 7.2 | 5.0 | 100 | F461JT124(1)160(2) |
| 160 | 90 | 0.15 | JU | 7.2 | 13.0 | 7.2 | 5.0 | 100 | F461JU154(1)160(2) |
| 160 | 90 | 0.18 | JU | 7.2 | 13.0 | 7.2 | 5.0 | 100 | F461JU184(1)160(2) |
| 160 | 90 | 0.22 | JU | 7.2 | 13.0 | 7.2 | 5.0 | 100 | F461JU224(3)160(2) |
| 160 | 90 | 0.015 | KE | 2.5 | 6.0 | 10.0 | 7.5 | 300 | F461KE153(1)160(2) |
| 160 | 90 | 0.018 | KE | 2.5 | 6.0 | 10.0 | 7.5 | 300 | F461KE183(1)160(2) |
| 160 | 90 | 0.022 | KE | 2.5 | 6.0 | 10.0 | 7.5 | 300 | F461KE223(1)160(2) |
| 160 | 90 | 0.027 | KF | 3.0 | 8.0 | 10.0 | 7.5 | 300 | F461KF273(1)160(2) |
| 160 | 90 | 0.033 | KF | 3.0 | 8.0 | 10.0 | 7.5 | 300 | F461KF333(1)160(2) |
| 160 | 90 | 0.039 | KF | 3.0 | 8.0 | 10.0 | 7.5 | 300 | F461KF393(1)160(2) |
| 160 | 90 | 0.047 | KF | 3.0 | 8.0 | 10.0 | 7.5 | 300 | F461KF473(1)160(2) |
| 160 | 90 | 0.056 | KF | 3.0 | 8.0 | 10.0 | 7.5 | 300 | F461KF563(1)160(2) |
| 160 | 90 | 0.068 | KG | 4.0 | 8.0 | 10.0 | 7.5 | 300 | F461KG683(1)160(2) |
| 160 | 90 | 0.082 | KG | 4.0 | 8.0 | 10.0 | 7.5 | 300 | F461KG823(1)160(2) |
| 160 | 90 | 0.1 | KJ | 5.0 | 10.5 | 10.0 | 7.5 | 300 | F461KJ104(1)160(2) |
| 160 | 90 | 0.12 | KJ | 5.0 | 10.5 | 10.0 | 7.5 | 300 | F461KJ124(1)160(2) |
| 160 | 90 | 0.15 | KJ | 5.0 | 10.5 | 10.0 | 7.5 | 300 | F461KJ154(1)160(2) |
| 160 | 90 | 0.18 | KJ | 5.0 | 10.5 | 10.0 | 7.5 | 300 | F461KJ184(1)160(2) |
| 160 | 90 | 0.22 | KM | 6.0 | 12.0 | 10.5 | 7.5 | 300 | F461KM224(1)160(2) |
| 160 | 90 | 0.27 | KM | 6.0 | 12.0 | 10.5 | 7.5 | 300 | F461KM274(1)160(2) |
| 160 | 90 | 0.1 | AG | 4.0 | 9.0 | 13.0 | 10.0 | 180 | F461AG104(1)160(2) |
| 160 | 90 | 0.12 | AG | 4.0 | 9.0 | 13.0 | 10.0 | 180 | F461AG124(1)160(2) |
| 160 | 90 | 0.15 | AG | 4.0 | 9.0 | 13.0 | 10.0 | 180 | F461AG154(1)160(2) |
| 160 | 90 | 0.18 | AK | 5.0 | 11.0 | 13.0 | 10.0 | 180 | F461AK184(1)160(2) |
| 160 | 90 | 0.22 | AK | 5.0 | 11.0 | 13.0 | 10.0 | 180 | F461AK224(1)160(2) |
| 160 | 90 | 0.27 | AK | 5.0 | 11.0 | 13.0 | 10.0 | 180 | F461AK274(1)160(2) |
| 160 | 90 | 0.33 | AP | 6.0 | 12.0 | 13.0 | 10.0 | 180 | F461AP334(1)160(2) |
| 160 | 90 | 0.39 | AP | 6.0 | 12.0 | 13.0 | 10.0 | 180 | F461AP394(1)160(2) |
| 160 | 90 | 0.47 | AP | 6.0 | 12.0 | 13.0 | 10.0 | 180 | F461AP474(1)160(2) |
| 160 | 90 | 0.15 | BB | 4.0 | 10.0 | 18.0 | 15.0 | 100 | F461BB154(1)160(2) |
| 160 | 90 | 0.18 | BB | 4.0 | 10.0 | 18.0 | 15.0 | 100 | F461BB184(1)160(2) |
| 160 | 90 | 0.22 | BB | 4.0 | 10.0 | 18.0 | 15.0 | 100 | F461BB224(1)160(2) |
| 160 | 90 | 0.27 | BB | 4.0 | 10.0 | 18.0 | 15.0 | 100 | F461BB274(1)160(2) |
| 160 | 90 | 0.33 | BC | 5.0 | 11.0 | 18.0 | 15.0 | 100 | F461BC334(1)160(2) |
| 160 | 90 | 0.39 | BC | 5.0 | 11.0 | 18.0 | 15.0 | 100 | F461BC394(1)160(2) |
| 160 | 90 | 0.47 | BE | 5.5 | 12.5 | 18.0 | 15.0 | 100 | F461BE474(1)160(2) |
| 160 | 90 | 0.56 | BE | 5.5 | 12.5 | 18.0 | 15.0 | 100 | F461BE564(1)160(2) |
| 160 | 90 | 0.68 | BK | 7.5 | 13.5 | 18.0 | 15.0 | 100 | F461BK684(1)160(2) |
| 160 | 90 | 0.82 | BK | 7.5 | 13.5 | 18.0 | 15.0 | 100 | F461BK824(1)160(2) |
| 160 | 90 | 1.0 | BK | 7.5 | 13.5 | 18.0 | 15.0 | 100 | F461BK105(1)160(2) |
| 160 | 90 | 1.2 | BP | 8.5 | 14.5 | 18.0 | 15.0 | 100 | F461BP125(1)160(2) |
| 160 | 90 | 1.5 | BS | 10.0 | 16.0 | 18.0 | 15.0 | 100 | F461BS155(1)160(2) |
| 160 | 90 | 2.2 | BY | 11.0 | 19.0 | 18.0 | 15.0 | 100 | F461BY225(1)160(2) |
| 160 | 90 | 2.7 | BY | 11.0 | 19.0 | 18.0 | 15.0 | 100 | F461BY275(1)160(2) |
| 160 | 90 | 1.0 | DB | 6.0 | 14.5 | 26.0 | 22.5 | 60 | F461DB105(1)160(2) |
| 160 | 90 | 1.2 | DB | 6.0 | 14.5 | 26.0 | 22.5 | 60 | F461DB125(1)160(2) |
| 160 | 90 | 1.5 | DI | 7.0 | 16.0 | 26.0 | 22.5 | 60 | F461DI155(1)160(2) |
| VDC | VAC | Capacitance Value (µF) | Size Code | B (mm) | H (mm) | L (mm) | Lead Spacing (p) | dV/dt (V/µs) | Part Number |

(1) J = 5%, K = 10%, other tolerances on request.
 (2) Insert lead and packaging code. See Ordering Options Table for available options.
 (3) K = ±10% (only available tolerance).

Table 1 – Ratings & Part Number Reference cont'd

| VDC | VAC | Capacitance Value (µF) | Size Code | Max Dimensions in mm | | | Lead Spacing (p) | dV/dt (V/µs) | Part Number |
|-----|-----|------------------------|-----------|----------------------|--------|--------|------------------|--------------|--------------------|
| | | | | B | H | L | | | |
| 160 | 90 | 1.8 | DI | 7.0 | 16.0 | 26.0 | 22.5 | 60 | F461DI185(1)160(2) |
| 160 | 90 | 2.2 | DJ | 8.5 | 17.0 | 26.0 | 22.5 | 60 | F461DJ225(1)160(2) |
| 160 | 90 | 2.7 | DM | 9.0 | 18.5 | 26.0 | 22.5 | 60 | F461DM275(1)160(2) |
| 160 | 90 | 3.3 | DM | 9.0 | 18.5 | 26.0 | 22.5 | 60 | F461DM335(1)160(2) |
| 160 | 90 | 3.9 | DP | 11.0 | 20.0 | 26.0 | 22.5 | 60 | F461DP395(1)160(2) |
| 160 | 90 | 4.7 | DU | 13.0 | 22.0 | 26.0 | 22.5 | 60 | F461DU475(1)160(2) |
| 160 | 90 | 5.6 | DU | 13.0 | 22.0 | 26.0 | 22.5 | 60 | F461DU565(1)160(2) |
| 160 | 90 | 6.8 | DY | 15.5 | 24.5 | 26.0 | 22.5 | 60 | F461DY685(1)160(2) |
| 160 | 90 | 8.2 | DY | 15.5 | 24.5 | 26.0 | 22.5 | 60 | F461DY825(1)160(2) |
| 160 | 90 | 2.2 | FB | 9.0 | 17.0 | 31.5 | 27.5 | 50 | F461FB225(1)160(2) |
| 160 | 90 | 2.7 | FB | 9.0 | 17.0 | 31.5 | 27.5 | 50 | F461FB275(1)160(2) |
| 160 | 90 | 3.3 | FB | 9.0 | 17.0 | 31.5 | 27.5 | 50 | F461FB335(1)160(2) |
| 160 | 90 | 3.9 | FC | 11.0 | 20.0 | 31.5 | 27.5 | 50 | F461FC395(1)160(2) |
| 160 | 90 | 4.7 | FC | 11.0 | 20.0 | 31.5 | 27.5 | 50 | F461FC475(1)160(2) |
| 160 | 90 | 5.6 | FI | 13.0 | 25.0 | 31.5 | 27.5 | 50 | F461FI565(1)160(2) |
| 160 | 90 | 6.8 | FI | 13.0 | 25.0 | 31.5 | 27.5 | 50 | F461FI685(1)160(2) |
| 160 | 90 | 8.2 | FI | 13.0 | 25.0 | 31.5 | 27.5 | 50 | F461FI825(1)160(2) |
| 160 | 90 | 10.0 | FR | 17.5 | 28.0 | 31.5 | 27.5 | 50 | F461FR106(1)160(2) |
| 160 | 90 | 12.0 | FR | 17.5 | 28.0 | 31.5 | 27.5 | 50 | F461FR126(1)160(2) |
| 160 | 90 | 15.0 | FY | 22.0 | 37.0 | 31.5 | 27.5 | 50 | F461FY156(1)160(2) |
| 160 | 90 | 18.0 | FY | 22.0 | 37.0 | 31.5 | 27.5 | 50 | F461FY186(1)160(2) |
| 160 | 90 | 22.0 | FY | 22.0 | 37.0 | 31.5 | 27.5 | 50 | F461FY226(1)160(2) |
| 160 | 90 | 6.8 | RB | 11.0 | 22.0 | 41.0 | 37.5 | 35 | F461RB685(1)160(2) |
| 160 | 90 | 8.2 | RB | 11.0 | 22.0 | 41.0 | 37.5 | 35 | F461RB825(1)160(2) |
| 160 | 90 | 10.0 | RF | 13.0 | 24.0 | 41.0 | 37.5 | 35 | F461RF106(1)160(2) |
| 160 | 90 | 12.0 | RH | 15.0 | 26.0 | 41.0 | 37.5 | 35 | F461RH126(1)160(2) |
| 160 | 90 | 15.0 | RC | 16.0 | 28.5 | 41.0 | 37.5 | 35 | F461RC156(1)160(2) |
| 160 | 90 | 18.0 | RD | 19.0 | 32.0 | 41.0 | 37.5 | 35 | F461RD186(1)160(2) |
| 160 | 90 | 22.0 | RD | 19.0 | 32.0 | 41.0 | 37.5 | 35 | F461RD226(1)160(2) |
| 160 | 90 | 27.0 | RP | 21.0 | 38.0 | 41.0 | 37.5 | 35 | F461RP276(1)160(2) |
| 160 | 90 | 33.0 | RO | 24.0 | 44.0 | 41.0 | 37.5 | 35 | F461RO336(1)160(2) |
| 160 | 90 | 39.0 | RO | 24.0 | 44.0 | 41.0 | 37.5 | 35 | F461RO396(1)160(2) |
| 160 | 90 | 47.0 | RU | 30.0 | 45.0 | 41.0 | 37.5 | 35 | F461RU476(1)160(2) |
| 160 | 90 | 56.0 | RU | 30.0 | 45.0 | 41.0 | 37.5 | 35 | F461RU566(1)160(2) |
| 250 | 160 | 0.01 | JF | 2.5 | 6.5 | 7.2 | 5.0 | 250 | F461JF103(1)250(2) |
| 250 | 160 | 0.012 | JF | 2.5 | 6.5 | 7.2 | 5.0 | 250 | F461JF123(1)250(2) |
| 250 | 160 | 0.015 | JF | 2.5 | 6.5 | 7.2 | 5.0 | 250 | F461JF153(1)250(2) |
| 250 | 160 | 0.022 | JG | 3.5 | 7.5 | 7.2 | 5.0 | 250 | F461JG223(1)250(2) |
| 250 | 160 | 0.027 | JG | 3.5 | 7.5 | 7.2 | 5.0 | 250 | F461JG273(1)250(2) |
| 250 | 160 | 0.033 | JM | 4.5 | 9.5 | 7.2 | 5.0 | 250 | F461JM333(1)250(2) |
| 250 | 160 | 0.039 | JM | 4.5 | 9.5 | 7.2 | 5.0 | 250 | F461JM393(1)250(2) |
| 250 | 160 | 0.047 | JQ | 5.0 | 10.0 | 7.2 | 5.0 | 250 | F461JQ473(1)250(2) |
| 250 | 160 | 0.056 | JQ | 5.0 | 10.0 | 7.2 | 5.0 | 250 | F461JQ563(1)250(2) |
| 250 | 160 | 0.068 | JT | 6.0 | 11.0 | 7.2 | 5.0 | 250 | F461JT683(1)250(2) |
| 250 | 160 | 0.082 | JT | 6.0 | 11.0 | 7.2 | 5.0 | 250 | F461JT823(1)250(2) |
| 250 | 160 | 0.1 | JU | 7.2 | 13.0 | 7.2 | 5.0 | 250 | F461JU104(1)250(2) |
| 250 | 160 | 0.12 | JU | 7.2 | 13.0 | 7.2 | 5.0 | 250 | F461JU124(1)250(2) |
| 250 | 160 | 0.15 | JU | 7.2 | 13.0 | 7.2 | 5.0 | 250 | F461JU154(1)250(2) |
| 250 | 160 | 0.01 | KE | 2.5 | 6.0 | 10.0 | 7.5 | 650 | F461KE103(1)250(2) |
| 250 | 160 | 0.012 | KE | 2.5 | 6.0 | 10.0 | 7.5 | 650 | F461KE123(1)250(2) |
| 250 | 160 | 0.015 | KF | 3.0 | 8.0 | 10.0 | 7.5 | 650 | F461KF153(1)250(2) |
| 250 | 160 | 0.018 | KF | 3.0 | 8.0 | 10.0 | 7.5 | 650 | F461KF183(1)250(2) |
| 250 | 160 | 0.022 | KF | 3.0 | 8.0 | 10.0 | 7.5 | 650 | F461KF223(1)250(2) |
| 250 | 160 | 0.027 | KF | 3 | 8 | 10.0 | 7.5 | 650 | F461KF273(1)250(2) |
| 250 | 160 | 0.033 | KF | 3 | 8 | 10.0 | 7.5 | 650 | F461KF333(1)250(2) |
| 250 | 160 | 0.039 | KG | 4 | 8 | 10.0 | 7.5 | 650 | F461KG393(1)250(2) |
| 250 | 160 | 0.047 | KG | 4 | 8 | 10.0 | 7.5 | 650 | F461KG473(1)250(2) |
| 250 | 160 | 0.056 | KG | 4 | 8 | 10.0 | 7.5 | 650 | F461KG563(1)250(2) |
| 250 | 160 | 0.068 | KJ | 5 | 10.5 | 10.0 | 7.5 | 650 | F461KJ683(1)250(2) |
| 250 | 160 | 0.082 | KJ | 5 | 10.5 | 10.0 | 7.5 | 650 | F461KJ823(1)250(2) |
| VDC | VAC | Capacitance Value (µF) | Size Code | B (mm) | H (mm) | L (mm) | Lead Spacing (p) | dV/dt (V/µs) | Part Number |

(1) J = 5%, K = 10%, other tolerances on request.
 (2) Insert lead and packaging code. See Ordering Options Table for available options.
 (3) K = ±10% (only available tolerance).

Table 1 – Ratings & Part Number Reference cont'd

| VDC | VAC | Capacitance Value (µF) | Size Code | Max Dimensions in mm | | | Lead Spacing (p) | dV/dt (V/µs) | Part Number |
|-----|-----|------------------------|-----------|----------------------|--------|--------|------------------|--------------|--------------------|
| | | | | B | H | L | | | |
| 250 | 160 | 0.1 | KJ | 5.0 | 10.5 | 10.0 | 7.5 | 650 | F461KJ104(1)250(2) |
| 250 | 160 | 0.12 | KM | 6.0 | 12.0 | 10.5 | 7.5 | 650 | F461KM124(1)250(2) |
| 250 | 160 | 0.15 | KM | 6.0 | 12.0 | 10.5 | 7.5 | 650 | F461KM154(1)250(2) |
| 250 | 160 | 0.068 | AG | 4.0 | 9.0 | 13.0 | 10.0 | 550 | F461AG683(1)250(2) |
| 250 | 160 | 0.082 | AG | 4.0 | 9.0 | 13.0 | 10.0 | 550 | F461AG823(1)250(2) |
| 250 | 160 | 0.1 | AG | 4.0 | 9.0 | 13.0 | 10.0 | 550 | F461AG104(1)250(2) |
| 250 | 160 | 0.12 | AK | 5.0 | 11.0 | 13.0 | 10.0 | 550 | F461AK124(1)250(2) |
| 250 | 160 | 0.15 | AK | 5.0 | 11.0 | 13.0 | 10.0 | 550 | F461AK154(1)250(2) |
| 250 | 160 | 0.18 | AK | 5.0 | 11.0 | 13.0 | 10.0 | 550 | F461AK184(1)250(2) |
| 250 | 160 | 0.22 | AK | 5.0 | 11.0 | 13.0 | 10.0 | 550 | F461AK224(1)250(2) |
| 250 | 160 | 0.27 | AP | 6.0 | 12.0 | 13.0 | 10.0 | 550 | F461AP274(1)250(2) |
| 250 | 160 | 0.1 | BB | 4.0 | 10.0 | 18.0 | 15.0 | 300 | F461BB104(1)250(2) |
| 250 | 160 | 0.12 | BB | 4.0 | 10.0 | 18.0 | 15.0 | 300 | F461BB124(1)250(2) |
| 250 | 160 | 0.15 | BB | 4.0 | 10.0 | 18.0 | 15.0 | 300 | F461BB154(1)250(2) |
| 250 | 160 | 0.18 | BB | 4.0 | 10.0 | 18.0 | 15.0 | 300 | F461BB184(1)250(2) |
| 250 | 160 | 0.22 | BC | 5.0 | 11.0 | 18.0 | 15.0 | 300 | F461BC224(1)250(2) |
| 250 | 160 | 0.27 | BC | 5.0 | 11.0 | 18.0 | 15.0 | 300 | F461BC274(1)250(2) |
| 250 | 160 | 0.33 | BG | 6.0 | 12.0 | 18.0 | 15.0 | 300 | F461BG334(1)250(2) |
| 250 | 160 | 0.39 | BK | 7.5 | 13.5 | 18.0 | 15.0 | 300 | F461BK394(1)250(2) |
| 250 | 160 | 0.47 | BK | 7.5 | 13.5 | 18.0 | 15.0 | 300 | F461BK474(1)250(2) |
| 250 | 160 | 0.56 | BK | 7.5 | 13.5 | 18.0 | 15.0 | 300 | F461BK564(1)250(2) |
| 250 | 160 | 0.68 | BP | 8.5 | 14.5 | 18.0 | 15.0 | 300 | F461BP684(1)250(2) |
| 250 | 160 | 0.82 | BP | 8.5 | 14.5 | 18.0 | 15.0 | 300 | F461BP824(1)250(2) |
| 250 | 160 | 1.0 | BS | 10.0 | 16.0 | 18.0 | 15.0 | 300 | F461BS105(1)250(2) |
| 250 | 160 | 1.2 | BY | 11.0 | 19.0 | 18.0 | 15.0 | 300 | F461BY125(1)250(2) |
| 250 | 160 | 1.5 | BY | 11.0 | 19.0 | 18.0 | 15.0 | 300 | F461BY155(1)250(2) |
| 250 | 160 | 1.8 | BY | 11.0 | 19.0 | 18.0 | 15.0 | 300 | F461BY185(1)250(2) |
| 250 | 160 | 0.47 | DB | 6.0 | 14.5 | 26.0 | 22.5 | 125 | F461DB474(1)250(2) |
| 250 | 160 | 0.56 | DB | 6.0 | 14.5 | 26.0 | 22.5 | 125 | F461DB564(1)250(2) |
| 250 | 160 | 0.68 | DB | 6.0 | 14.5 | 26.0 | 22.5 | 125 | F461DB684(1)250(2) |
| 250 | 160 | 0.82 | DI | 7.0 | 16.0 | 26.0 | 22.5 | 125 | F461DI824(1)250(2) |
| 250 | 160 | 1.0 | DI | 7.0 | 16.0 | 26.0 | 22.5 | 125 | F461DI105(1)250(2) |
| 250 | 160 | 1.2 | DH | 8.0 | 16.0 | 26.0 | 22.5 | 125 | F461DH125(1)250(2) |
| 250 | 160 | 1.5 | DM | 9.0 | 18.5 | 26.0 | 22.5 | 125 | F461DM155(1)250(2) |
| 250 | 160 | 1.8 | DM | 9.0 | 18.5 | 26.0 | 22.5 | 125 | F461DM185(1)250(2) |
| 250 | 160 | 2.2 | DO | 10.0 | 18.5 | 26.0 | 22.5 | 125 | F461DO225(1)250(2) |
| 250 | 160 | 2.7 | DU | 13.0 | 22.0 | 26.0 | 22.5 | 125 | F461DU275(1)250(2) |
| 250 | 160 | 3.3 | DU | 13.0 | 22.0 | 26.0 | 22.5 | 125 | F461DU335(1)250(2) |
| 250 | 160 | 3.9 | DY | 15.5 | 24.5 | 26.0 | 22.5 | 125 | F461DY395(1)250(2) |
| 250 | 160 | 4.7 | DY | 15.5 | 24.5 | 26.0 | 22.5 | 125 | F461DY475(1)250(2) |
| 250 | 160 | 5.6 | DY | 15.5 | 24.5 | 26.0 | 22.5 | 125 | F461DY565(1)250(2) |
| 250 | 160 | 1.5 | FB | 9.0 | 17.0 | 31.5 | 27.5 | 100 | F461FB155(1)250(2) |
| 250 | 160 | 1.8 | FB | 9.0 | 17.0 | 31.5 | 27.5 | 100 | F461FB185(1)250(2) |
| 250 | 160 | 2.2 | FC | 11.0 | 20.0 | 31.5 | 27.5 | 100 | F461FC225(1)250(2) |
| 250 | 160 | 2.7 | FC | 11.0 | 20.0 | 31.5 | 27.5 | 100 | F461FC275(1)250(2) |
| 250 | 160 | 3.3 | FC | 11.0 | 20.0 | 31.5 | 27.5 | 100 | F461FC335(1)250(2) |
| 250 | 160 | 3.9 | FI | 13.0 | 25.0 | 31.5 | 27.5 | 100 | F461FI395(1)250(2) |
| 250 | 160 | 4.7 | FI | 13.0 | 25.0 | 31.5 | 27.5 | 100 | F461FI475(1)250(2) |
| 250 | 160 | 5.6 | FN | 14.0 | 28.0 | 31.5 | 27.5 | 100 | F461FN565(1)250(2) |
| 250 | 160 | 6.8 | FR | 17.5 | 28.0 | 31.5 | 27.5 | 100 | F461FR685(1)250(2) |
| 250 | 160 | 8.2 | FS | 19.0 | 29.0 | 31.5 | 27.5 | 100 | F461FS825(1)250(2) |
| 250 | 160 | 10.0 | FY | 22.0 | 37.0 | 31.5 | 27.5 | 100 | F461FY106(1)250(2) |
| 250 | 160 | 12.0 | FY | 22.0 | 37.0 | 31.5 | 27.5 | 100 | F461FY126(1)250(2) |
| 250 | 160 | 15.0 | FY | 22.0 | 37.0 | 31.5 | 27.5 | 100 | F461FY156(1)250(2) |
| 250 | 160 | 3.3 | RB | 11.0 | 22.0 | 41.0 | 37.5 | 40 | F461RB335(1)250(2) |
| 250 | 160 | 3.9 | RB | 11.0 | 22.0 | 41.0 | 37.5 | 40 | F461RB395(1)250(2) |
| 250 | 160 | 4.7 | RB | 11.0 | 22.0 | 41.0 | 37.5 | 40 | F461RB475(1)250(2) |
| 250 | 160 | 5.6 | RF | 13.0 | 24.0 | 41.0 | 37.5 | 40 | F461RF565(1)250(2) |
| 250 | 160 | 6.8 | RF | 13.0 | 24.0 | 41.0 | 37.5 | 40 | F461RF685(1)250(2) |
| 250 | 160 | 8.2 | RH | 15.0 | 26.0 | 41.0 | 37.5 | 40 | F461RH825(1)250(2) |
| VDC | VAC | Capacitance Value (µF) | Size Code | B (mm) | H (mm) | L (mm) | Lead Spacing (p) | dV/dt (V/µs) | Part Number |

(1) J = 5%, K = 10%, other tolerances on request.
 (2) Insert lead and packaging code. See Ordering Options Table for available options.
 (3) K = ±10% (only available tolerance).

Table 1 – Ratings & Part Number Reference cont'd

| VDC | VAC | Capacitance Value (µF) | Size Code | Max Dimensions in mm | | | Lead Spacing (p) | dV/dt (V/µs) | Part Number |
|-----|-----|------------------------|-----------|----------------------|--------|--------|------------------|--------------|--------------------|
| | | | | B | H | L | | | |
| 250 | 160 | 10.0 | RC | 16.0 | 28.5 | 41.0 | 37.5 | 40 | F461RC106(1)250(2) |
| 250 | 160 | 12.0 | RD | 19.0 | 32.0 | 41.0 | 37.5 | 40 | F461RD126(1)250(2) |
| 250 | 160 | 15.0 | RD | 19.0 | 32.0 | 41.0 | 37.5 | 40 | F461RD156(1)250(2) |
| 250 | 160 | 18.0 | RP | 21.0 | 38.0 | 41.0 | 37.5 | 40 | F461RP186(1)250(2) |
| 250 | 160 | 22.0 | RO | 24.0 | 44.0 | 41.0 | 37.5 | 40 | F461RO226(1)250(2) |
| 250 | 160 | 27.0 | RO | 24.0 | 44.0 | 41.0 | 37.5 | 40 | F461RO276(1)250(2) |
| 250 | 160 | 33.0 | RU | 30.0 | 45.0 | 41.0 | 37.5 | 40 | F461RU336(1)250(2) |
| 250 | 160 | 39.0 | RU | 30.0 | 45.0 | 41.0 | 37.5 | 40 | F461RU396(1)250(2) |
| 400 | 220 | 0.0033 | JF | 2.5 | 6.5 | 7.2 | 5.0 | 400 | F461JF332(1)400(2) |
| 400 | 220 | 0.0039 | JF | 2.5 | 6.5 | 7.2 | 5.0 | 400 | F461JF392(1)400(2) |
| 400 | 220 | 0.0047 | JF | 2.5 | 6.5 | 7.2 | 5.0 | 400 | F461JF472(1)400(2) |
| 400 | 220 | 0.0056 | JF | 2.5 | 6.5 | 7.2 | 5.0 | 400 | F461JF562(1)400(2) |
| 400 | 220 | 0.0068 | JG | 3.5 | 7.5 | 7.2 | 5.0 | 400 | F461JG682(1)400(2) |
| 400 | 220 | 0.0082 | JG | 3.5 | 7.5 | 7.2 | 5.0 | 400 | F461JG822(1)400(2) |
| 400 | 220 | 0.01 | JG | 3.5 | 7.5 | 7.2 | 5.0 | 400 | F461JG103(1)400(2) |
| 400 | 220 | 0.012 | JG | 3.5 | 7.5 | 7.2 | 5.0 | 400 | F461JG123(1)400(2) |
| 400 | 220 | 0.015 | JM | 4.5 | 9.5 | 7.2 | 5.0 | 400 | F461JM153(1)400(2) |
| 400 | 220 | 0.018 | JM | 4.5 | 9.5 | 7.2 | 5.0 | 400 | F461JM183(1)400(2) |
| 400 | 220 | 0.022 | JM | 4.5 | 9.5 | 7.2 | 5.0 | 400 | F461JM223(1)400(2) |
| 400 | 220 | 0.027 | JQ | 5.0 | 10.0 | 7.2 | 5.0 | 400 | F461JQ273(1)400(2) |
| 400 | 220 | 0.033 | JT | 6.0 | 11.0 | 7.2 | 5.0 | 400 | F461JT333(1)400(2) |
| 400 | 220 | 0.039 | JT | 6.0 | 11.0 | 7.2 | 5.0 | 400 | F461JT393(1)400(2) |
| 400 | 220 | 0.047 | JU | 7.2 | 13.0 | 7.2 | 5.0 | 400 | F461JU473(1)400(2) |
| 400 | 220 | 0.056 | JU | 7.2 | 13.0 | 7.2 | 5.0 | 400 | F461JU563(1)400(2) |
| 400 | 220 | 0.0033 | KE | 2.5 | 6.0 | 10.0 | 7.5 | 1,500 | F461KE332(1)400(2) |
| 400 | 220 | 0.0039 | KE | 2.5 | 6.0 | 10.0 | 7.5 | 1,500 | F461KE392(1)400(2) |
| 400 | 220 | 0.0047 | KE | 2.5 | 6.0 | 10.0 | 7.5 | 1,500 | F461KE472(1)400(2) |
| 400 | 220 | 0.0056 | KF | 3.0 | 8.0 | 10.0 | 7.5 | 1,500 | F461KF562(1)400(2) |
| 400 | 220 | 0.0068 | KF | 3.0 | 8.0 | 10.0 | 7.5 | 1,500 | F461KF682(1)400(2) |
| 400 | 220 | 0.0082 | KF | 3.0 | 8.0 | 10.0 | 7.5 | 1,500 | F461KF822(1)400(2) |
| 400 | 220 | 0.01 | KF | 3.0 | 8.0 | 10.0 | 7.5 | 1,500 | F461KF103(1)400(2) |
| 400 | 220 | 0.012 | KF | 3.0 | 8.0 | 10.0 | 7.5 | 1,500 | F461KF123(1)400(2) |
| 400 | 220 | 0.015 | KG | 4.0 | 8.0 | 10.0 | 7.5 | 1,500 | F461KG153(1)400(2) |
| 400 | 220 | 0.018 | KG | 4.0 | 8.0 | 10.0 | 7.5 | 1,500 | F461KG183(1)400(2) |
| 400 | 220 | 0.022 | KG | 4.0 | 8.0 | 10.0 | 7.5 | 1,500 | F461KG223(1)400(2) |
| 400 | 220 | 0.027 | KJ | 5.0 | 10.5 | 10.0 | 7.5 | 1,500 | F461KJ273(1)400(2) |
| 400 | 220 | 0.033 | KJ | 5.0 | 10.5 | 10.0 | 7.5 | 1,500 | F461KJ333(1)400(2) |
| 400 | 220 | 0.039 | KJ | 5.0 | 10.5 | 10.0 | 7.5 | 1,500 | F461KJ393(1)400(2) |
| 400 | 220 | 0.047 | KJ | 5.0 | 10.5 | 10.0 | 7.5 | 1,500 | F461KJ473(1)400(2) |
| 400 | 220 | 0.056 | KM | 6.0 | 12.0 | 10.5 | 7.5 | 1,500 | F461KM563(1)400(2) |
| 400 | 220 | 0.068 | KM | 6.0 | 12.0 | 10.5 | 7.5 | 1,500 | F461KM683(1)400(2) |
| 400 | 220 | 0.022 | AG | 4.0 | 9.0 | 13.0 | 10.0 | 1,300 | F461AG223(1)400(2) |
| 400 | 220 | 0.027 | AG | 4.0 | 9.0 | 13.0 | 10.0 | 1,300 | F461AG273(1)400(2) |
| 400 | 220 | 0.033 | AG | 4.0 | 9.0 | 13.0 | 10.0 | 1,300 | F461AG333(1)400(2) |
| 400 | 220 | 0.039 | AG | 4.0 | 9.0 | 13.0 | 10.0 | 1,300 | F461AG393(1)400(2) |
| 400 | 220 | 0.047 | AK | 5.0 | 11.0 | 13.0 | 10.0 | 1,300 | F461AK473(1)400(2) |
| 400 | 220 | 0.056 | AK | 5.0 | 11.0 | 13.0 | 10.0 | 1,300 | F461AK563(1)400(2) |
| 400 | 220 | 0.068 | AK | 5.0 | 11.0 | 13.0 | 10.0 | 1,300 | F461AK683(1)400(2) |
| 400 | 220 | 0.082 | AK | 5.0 | 11.0 | 13.0 | 10.0 | 1,300 | F461AK823(1)400(2) |
| 400 | 220 | 0.1 | AK | 5.0 | 11.0 | 13.0 | 10.0 | 1,300 | F461AK104(1)400(2) |
| 400 | 220 | 0.12 | AP | 6.0 | 12.0 | 13.0 | 10.0 | 1,300 | F461AP124(1)400(2) |
| 400 | 220 | 0.047 | BB | 4.0 | 10.0 | 18.0 | 15.0 | 900 | F461BB473(1)400(2) |
| 400 | 220 | 0.056 | BB | 4.0 | 10.0 | 18.0 | 15.0 | 900 | F461BB563(1)400(2) |
| 400 | 220 | 0.068 | BB | 4.0 | 10.0 | 18.0 | 15.0 | 900 | F461BB683(1)400(2) |
| 400 | 220 | 0.082 | BC | 5.0 | 11.0 | 18.0 | 15.0 | 900 | F461BC823(1)400(2) |
| 400 | 220 | 0.1 | BC | 5.0 | 11.0 | 18.0 | 15.0 | 900 | F461BC104(1)400(2) |
| 400 | 220 | 0.12 | BE | 5.5 | 12.5 | 18.0 | 15.0 | 900 | F461BE124(1)400(2) |
| 400 | 220 | 0.15 | BE | 5.5 | 12.5 | 18.0 | 15.0 | 900 | F461BE154(1)400(2) |
| 400 | 220 | 0.18 | BK | 7.5 | 13.5 | 18.0 | 15.0 | 900 | F461BK184(1)400(2) |
| 400 | 220 | 0.22 | BK | 7.5 | 13.5 | 18.0 | 15.0 | 900 | F461BK224(1)400(2) |
| VDC | VAC | Capacitance Value (µF) | Size Code | B (mm) | H (mm) | L (mm) | Lead Spacing (p) | dV/dt (V/µs) | Part Number |

(1) J = 5%, K = 10%, other tolerances on request.
 (2) Insert lead and packaging code. See Ordering Options Table for available options.
 (3) K = ±10% (only available tolerance).

Table 1 – Ratings & Part Number Reference cont'd

| VDC | VAC | Capacitance Value (µF) | Size Code | Max Dimensions in mm | | | Lead Spacing (p) | dV/dt (V/µs) | Part Number |
|-----|-----|------------------------|-----------|----------------------|--------|--------|------------------|--------------|--------------------|
| | | | | B | H | L | | | |
| 400 | 220 | 0.27 | BK | 7.5 | 13.5 | 18.0 | 15.0 | 900 | F461BK274(1)400(2) |
| 400 | 220 | 0.33 | BI | 6.0 | 17.5 | 18.0 | 15.0 | 900 | F461BI334(1)400(2) |
| 400 | 220 | 0.39 | BS | 10.0 | 16.0 | 18.0 | 15.0 | 900 | F461BS394(1)400(2) |
| 400 | 220 | 0.47 | BS | 10.0 | 16.0 | 18.0 | 15.0 | 900 | F461BS474(1)400(2) |
| 400 | 220 | 0.56 | BY | 11.0 | 19.0 | 18.0 | 15.0 | 900 | F461BY564(1)400(2) |
| 400 | 220 | 0.68 | BY | 11.0 | 19.0 | 18.0 | 15.0 | 900 | F461BY684(1)400(2) |
| 400 | 220 | 0.82 | BY | 11.0 | 19.0 | 18.0 | 15.0 | 900 | F461BY824(1)400(2) |
| 400 | 220 | 0.22 | DB | 6.0 | 14.5 | 26.0 | 22.5 | 300 | F461DB224(1)400(2) |
| 400 | 220 | 0.27 | DB | 6.0 | 14.5 | 26.0 | 22.5 | 300 | F461DB274(1)400(2) |
| 400 | 220 | 0.33 | DB | 6.0 | 14.5 | 26.0 | 22.5 | 300 | F461DB334(1)400(2) |
| 400 | 220 | 0.39 | DI | 7.0 | 16.0 | 26.0 | 22.5 | 300 | F461DI394(1)400(2) |
| 400 | 220 | 0.47 | DI | 7.0 | 16.0 | 26.0 | 22.5 | 300 | F461DI474(1)400(2) |
| 400 | 220 | 0.56 | DH | 8.0 | 16.0 | 26.0 | 22.5 | 300 | F461DH564(1)400(2) |
| 400 | 220 | 0.68 | DM | 9.0 | 18.5 | 26.0 | 22.5 | 300 | F461DM684(1)400(2) |
| 400 | 220 | 0.82 | DM | 9.0 | 18.5 | 26.0 | 22.5 | 300 | F461DM824(1)400(2) |
| 400 | 220 | 1.0 | DP | 11.0 | 20.0 | 26.0 | 22.5 | 300 | F461DP105(1)400(2) |
| 400 | 220 | 1.2 | DP | 11.0 | 20.0 | 26.0 | 22.5 | 300 | F461DP125(1)400(2) |
| 400 | 220 | 1.5 | DU | 13.0 | 22.0 | 26.0 | 22.5 | 300 | F461DU155(1)400(2) |
| 400 | 220 | 1.8 | DY | 15.5 | 24.5 | 26.0 | 22.5 | 300 | F461DY185(1)400(2) |
| 400 | 220 | 2.2 | DY | 15.5 | 24.5 | 26.0 | 22.5 | 300 | F461DY225(3)400(2) |
| 400 | 220 | 0.56 | FB | 9.0 | 17.0 | 31.5 | 27.5 | 130 | F461FB564(1)400(2) |
| 400 | 220 | 0.68 | FB | 9.0 | 17.0 | 31.5 | 27.5 | 130 | F461FB684(1)400(2) |
| 400 | 220 | 0.82 | FB | 9.0 | 17.0 | 31.5 | 27.5 | 130 | F461FB824(1)400(2) |
| 400 | 220 | 1.0 | FC | 11.0 | 20.0 | 31.5 | 27.5 | 130 | F461FC105(1)400(2) |
| 400 | 220 | 1.2 | FC | 11.0 | 20.0 | 31.5 | 27.5 | 130 | F461FC125(1)400(2) |
| 400 | 220 | 1.5 | FC | 11.0 | 20.0 | 31.5 | 27.5 | 130 | F461FC155(1)400(2) |
| 400 | 220 | 1.8 | FI | 13.0 | 25.0 | 31.5 | 27.5 | 130 | F461FI185(1)400(2) |
| 400 | 220 | 2.2 | FI | 13.0 | 25.0 | 31.5 | 27.5 | 130 | F461FI225(1)400(2) |
| 400 | 220 | 2.7 | FN | 14.0 | 28.0 | 31.5 | 27.5 | 130 | F461FN275(1)400(2) |
| 400 | 220 | 3.3 | FR | 17.5 | 28.0 | 31.5 | 27.5 | 130 | F461FR335(1)400(2) |
| 400 | 220 | 3.9 | FS | 19.0 | 29.0 | 31.5 | 27.5 | 130 | F461FS395(1)400(2) |
| 400 | 220 | 4.7 | FY | 22.0 | 37.0 | 31.5 | 27.5 | 130 | F461FY475(1)400(2) |
| 400 | 220 | 5.6 | FY | 22.0 | 37.0 | 31.5 | 27.5 | 130 | F461FY565(1)400(2) |
| 400 | 220 | 6.8 | FY | 22.0 | 37.0 | 31.5 | 27.5 | 130 | F461FY685(1)400(2) |
| 400 | 220 | 1.5 | RB | 11.0 | 22.0 | 41.0 | 37.5 | 70 | F461RB155(1)400(2) |
| 400 | 220 | 1.8 | RB | 11.0 | 22.0 | 41.0 | 37.5 | 70 | F461RB185(1)400(2) |
| 400 | 220 | 2.2 | RB | 11.0 | 22.0 | 41.0 | 37.5 | 70 | F461RB225(1)400(2) |
| 400 | 220 | 2.7 | RF | 13.0 | 24.0 | 41.0 | 37.5 | 70 | F461RF275(1)400(2) |
| 400 | 220 | 3.3 | RF | 13.0 | 24.0 | 41.0 | 37.5 | 70 | F461RF335(1)400(2) |
| 400 | 220 | 3.9 | RH | 15.0 | 26.0 | 41.0 | 37.5 | 70 | F461RH395(1)400(2) |
| 400 | 220 | 4.7 | RC | 16.0 | 28.5 | 41.0 | 37.5 | 70 | F461RC475(1)400(2) |
| 400 | 220 | 5.6 | RD | 19.0 | 32.0 | 41.0 | 37.5 | 70 | F461RD565(1)400(2) |
| 400 | 220 | 6.8 | RD | 19.0 | 32.0 | 41.0 | 37.5 | 70 | F461RD685(1)400(2) |
| 400 | 220 | 8.2 | RP | 21.0 | 38.0 | 41.0 | 37.5 | 70 | F461RP825(1)400(2) |
| 400 | 220 | 10.0 | RO | 24.0 | 44.0 | 41.0 | 37.5 | 70 | F461RO106(1)400(2) |
| 400 | 220 | 12.0 | RO | 24.0 | 44.0 | 41.0 | 37.5 | 70 | F461RO126(1)400(2) |
| 400 | 220 | 15.0 | RU | 30.0 | 45.0 | 41.0 | 37.5 | 70 | F461RU156(1)400(2) |
| 400 | 220 | 18.0 | RU | 30.0 | 45.0 | 41.0 | 37.5 | 70 | F461RU186(1)400(2) |
| 630 | 250 | 0.0015 | JF | 2.5 | 6.5 | 7.2 | 5.0 | 500 | F461JF152(1)630(2) |
| 630 | 250 | 0.0018 | JF | 2.5 | 6.5 | 7.2 | 5.0 | 500 | F461JF182(1)630(2) |
| 630 | 250 | 0.0022 | JF | 2.5 | 6.5 | 7.2 | 5.0 | 500 | F461JF222(1)630(2) |
| 630 | 250 | 0.0027 | JF | 2.5 | 6.5 | 7.2 | 5.0 | 500 | F461JF272(1)630(2) |
| 630 | 250 | 0.0033 | JF | 2.5 | 6.5 | 7.2 | 5.0 | 500 | F461JF332(1)630(2) |
| 630 | 250 | 0.0039 | JG | 3.5 | 7.5 | 7.2 | 5.0 | 500 | F461JG392(1)630(2) |
| 630 | 250 | 0.0047 | JG | 3.5 | 7.5 | 7.2 | 5.0 | 500 | F461JG472(1)630(2) |
| 630 | 250 | 0.0056 | JG | 3.5 | 7.5 | 7.2 | 5.0 | 500 | F461JG562(1)630(2) |
| 630 | 250 | 0.0068 | JM | 4.5 | 9.5 | 7.2 | 5.0 | 500 | F461JM682(1)630(2) |
| 630 | 250 | 0.0082 | JM | 4.5 | 9.5 | 7.2 | 5.0 | 500 | F461JM822(1)630(2) |
| 630 | 250 | 0.01 | JM | 4.5 | 9.5 | 7.2 | 5.0 | 500 | F461JM103(1)630(2) |
| 630 | 250 | 0.012 | JQ | 5.0 | 10.0 | 7.2 | 5.0 | 500 | F461JQ123(1)630(2) |
| VDC | VAC | Capacitance Value (µF) | Size Code | B (mm) | H (mm) | L (mm) | Lead Spacing (p) | dV/dt (V/µs) | Part Number |

(1) J = 5%, K = 10%, other tolerances on request.
 (2) Insert lead and packaging code. See Ordering Options Table for available options.
 (3) K = ±10% (only available tolerance).

Table 1 – Ratings & Part Number Reference cont'd

| VDC | VAC | Capacitance Value (µF) | Size Code | Max Dimensions in mm | | | Lead Spacing (p) | dV/dt (V/µs) | Part Number |
|-----|-----|------------------------|-----------|----------------------|--------|--------|------------------|--------------|--------------------|
| | | | | B | H | L | | | |
| 630 | 250 | 0.015 | JT | 6.0 | 11.0 | 7.2 | 5.0 | 500 | F461JT153(1)630(2) |
| 630 | 250 | 0.018 | JT | 6.0 | 11.0 | 7.2 | 5.0 | 500 | F461JT183(1)630(2) |
| 630 | 250 | 0.022 | JT | 6.0 | 11.0 | 7.2 | 5.0 | 500 | F461JT223(3)630(2) |
| 630 | 250 | 0.022 | JU | 7.2 | 13.0 | 7.2 | 5.0 | 500 | F461JU223(1)630(2) |
| 630 | 250 | 0.027 | JU | 7.2 | 13.0 | 7.2 | 5.0 | 500 | F461JU273(1)630(2) |
| 630 | 250 | 0.033 | JU | 7.2 | 13.0 | 7.2 | 5.0 | 500 | F461JU333(1)630(2) |
| 630 | 250 | 0.0015 | KE | 2.5 | 6.0 | 10.0 | 7.5 | 2,400 | F461KE152(1)630(2) |
| 630 | 250 | 0.0018 | KE | 2.5 | 6.0 | 10.0 | 7.5 | 2,400 | F461KE182(1)630(2) |
| 630 | 250 | 0.0022 | KE | 2.5 | 6.0 | 10.0 | 7.5 | 2,400 | F461KE222(1)630(2) |
| 630 | 250 | 0.0027 | KF | 3.0 | 8.0 | 10.0 | 7.5 | 2,400 | F461KF272(1)630(2) |
| 630 | 250 | 0.0033 | KF | 3.0 | 8.0 | 10.0 | 7.5 | 2,400 | F461KF332(1)630(2) |
| 630 | 250 | 0.0039 | KF | 3.0 | 8.0 | 10.0 | 7.5 | 2,400 | F461KF392(1)630(2) |
| 630 | 250 | 0.0047 | KF | 3.0 | 8.0 | 10.0 | 7.5 | 2,400 | F461KF472(1)630(2) |
| 630 | 250 | 0.0056 | KF | 3.0 | 8.0 | 10.0 | 7.5 | 2,400 | F461KF562(1)630(2) |
| 630 | 250 | 0.0068 | KF | 3.0 | 8.0 | 10.0 | 7.5 | 2,400 | F461KF682(1)630(2) |
| 630 | 250 | 0.0082 | KG | 4.0 | 8.0 | 10.0 | 7.5 | 2,400 | F461KG822(1)630(2) |
| 630 | 250 | 0.01 | KG | 4.0 | 8.0 | 10.0 | 7.5 | 2,400 | F461KG103(1)630(2) |
| 630 | 250 | 0.012 | KJ | 5.0 | 10.5 | 10.0 | 7.5 | 2,400 | F461KJ123(1)630(2) |
| 630 | 250 | 0.015 | KJ | 5.0 | 10.5 | 10.0 | 7.5 | 2,400 | F461KJ153(1)630(2) |
| 630 | 250 | 0.018 | KJ | 5.0 | 10.5 | 10.0 | 7.5 | 2,400 | F461KJ183(1)630(2) |
| 630 | 250 | 0.022 | KJ | 5.0 | 10.5 | 10.0 | 7.5 | 2,400 | F461KJ223(1)630(2) |
| 630 | 250 | 0.027 | KM | 6.0 | 12.0 | 10.5 | 7.5 | 2,400 | F461KM273(1)630(2) |
| 630 | 250 | 0.033 | KM | 6.0 | 12.0 | 10.5 | 7.5 | 2,400 | F461KM333(1)630(2) |
| 630 | 250 | 0.039 | KM | 6.0 | 12.0 | 10.5 | 7.5 | 2,400 | F461KM393(1)630(2) |
| 630 | 250 | 0.01 | AG | 4.0 | 9.0 | 13.0 | 10.0 | 2,000 | F461AG103(1)630(2) |
| 630 | 250 | 0.012 | AG | 4.0 | 9.0 | 13.0 | 10.0 | 2,000 | F461AG123(1)630(2) |
| 630 | 250 | 0.015 | AG | 4.0 | 9.0 | 13.0 | 10.0 | 2,000 | F461AG153(1)630(2) |
| 630 | 250 | 0.018 | AG | 4.0 | 9.0 | 13.0 | 10.0 | 2,000 | F461AG183(1)630(2) |
| 630 | 250 | 0.022 | AG | 4.0 | 9.0 | 13.0 | 10.0 | 2,000 | F461AG223(1)630(2) |
| 630 | 250 | 0.027 | AK | 5.0 | 11.0 | 13.0 | 10.0 | 2,000 | F461AK273(1)630(2) |
| 630 | 250 | 0.033 | AK | 5.0 | 11.0 | 13.0 | 10.0 | 2,000 | F461AK333(1)630(2) |
| 630 | 250 | 0.039 | AK | 5.0 | 11.0 | 13.0 | 10.0 | 2,000 | F461AK393(1)630(2) |
| 630 | 250 | 0.047 | AP | 6.0 | 12.0 | 13.0 | 10.0 | 2,000 | F461AP473(1)630(2) |
| 630 | 250 | 0.056 | AP | 6.0 | 12.0 | 13.0 | 10.0 | 2,000 | F461AP563(1)630(2) |
| 630 | 250 | 0.068 | AP | 6.0 | 12.0 | 13.0 | 10.0 | 2,000 | F461AP683(1)630(2) |
| 630 | 250 | 0.022 | BB | 4.0 | 10.0 | 18.0 | 15.0 | 1,000 | F461BB223(1)630(2) |
| 630 | 250 | 0.027 | BB | 4.0 | 10.0 | 18.0 | 15.0 | 1,000 | F461BB273(1)630(2) |
| 630 | 250 | 0.033 | BB | 4.0 | 10.0 | 18.0 | 15.0 | 1,000 | F461BB333(1)630(2) |
| 630 | 250 | 0.039 | BB | 4.0 | 10.0 | 18.0 | 15.0 | 1,000 | F461BB393(1)630(2) |
| 630 | 250 | 0.047 | BC | 5.0 | 11.0 | 18.0 | 15.0 | 1,000 | F461BC473(1)630(2) |
| 630 | 250 | 0.056 | BC | 5.0 | 11.0 | 18.0 | 15.0 | 1,000 | F461BC563(1)630(2) |
| 630 | 250 | 0.063 | BC | 5.0 | 11.0 | 18.0 | 15.0 | 1,000 | F461BC633(1)630(2) |
| 630 | 250 | 0.068 | BE | 5.5 | 12.5 | 18.0 | 15.0 | 1,000 | F461BE683(1)630(2) |
| 630 | 250 | 0.082 | BE | 5.5 | 12.5 | 18.0 | 15.0 | 1,000 | F461BE823(1)630(2) |
| 630 | 250 | 0.1 | BK | 7.5 | 13.5 | 18.0 | 15.0 | 1,000 | F461BK104(1)630(2) |
| 630 | 250 | 0.12 | BK | 7.5 | 13.5 | 18.0 | 15.0 | 1,000 | F461BK124(1)630(2) |
| 630 | 250 | 0.15 | BK | 7.5 | 13.5 | 18.0 | 15.0 | 1,000 | F461BK154(1)630(2) |
| 630 | 250 | 0.18 | BP | 8.5 | 14.5 | 18.0 | 15.0 | 1,000 | F461BP184(1)630(2) |
| 630 | 250 | 0.22 | BS | 10.0 | 16.0 | 18.0 | 15.0 | 1,000 | F461BS224(1)630(2) |
| 630 | 250 | 0.27 | BY | 11.0 | 19.0 | 18.0 | 15.0 | 1,000 | F461BY274(1)630(2) |
| 630 | 250 | 0.33 | BY | 11.0 | 19.0 | 18.0 | 15.0 | 1,000 | F461BY334(1)630(2) |
| 630 | 250 | 0.39 | BY | 11.0 | 19.0 | 18.0 | 15.0 | 1,000 | F461BY394(1)630(2) |
| 630 | 250 | 0.1 | DB | 6.0 | 14.5 | 26.0 | 22.5 | 400 | F461DB104(1)630(2) |
| 630 | 250 | 0.12 | DB | 6.0 | 14.5 | 26.0 | 22.5 | 400 | F461DB124(1)630(2) |
| 630 | 250 | 0.15 | DB | 6.0 | 14.5 | 26.0 | 22.5 | 400 | F461DB154(1)630(2) |
| 630 | 250 | 0.18 | DI | 7.0 | 16.0 | 26.0 | 22.5 | 400 | F461DI184(1)630(2) |
| 630 | 250 | 0.22 | DI | 7.0 | 16.0 | 26.0 | 22.5 | 400 | F461DI224(1)630(2) |
| 630 | 250 | 0.27 | DH | 8.0 | 16.0 | 26.0 | 22.5 | 400 | F461DH274(1)630(2) |
| 630 | 250 | 0.33 | DJ | 8.5 | 17.0 | 26.0 | 22.5 | 400 | F461DJ334(1)630(2) |
| 630 | 250 | 0.39 | DM | 9.0 | 18.5 | 26.0 | 22.5 | 400 | F461DM394(1)630(2) |
| VDC | VAC | Capacitance Value (µF) | Size Code | B (mm) | H (mm) | L (mm) | Lead Spacing (p) | dV/dt (V/µs) | Part Number |

(1) J = 5%, K = 10%, other tolerances on request.
 (2) Insert lead and packaging code. See Ordering Options Table for available options.
 (3) K = ±10% (only available tolerance).

Table 1 – Ratings & Part Number Reference cont'd

| VDC | VAC | Capacitance Value (µF) | Size Code | Max Dimensions in mm | | | Lead Spacing (p) | dV/dt (V/µs) | Part Number |
|------|-----|------------------------|-----------|----------------------|--------|--------|------------------|--------------|--------------------|
| | | | | B | H | L | | | |
| 630 | 250 | 0.47 | DM | 9.0 | 18.5 | 26.0 | 22.5 | 400 | F461DM474(1)630(2) |
| 630 | 250 | 0.56 | DP | 11.0 | 20.0 | 26.0 | 22.5 | 400 | F461DP564(1)630(2) |
| 630 | 250 | 0.68 | DU | 13.0 | 22.0 | 26.0 | 22.5 | 400 | F461DU684(1)630(2) |
| 630 | 250 | 0.82 | DU | 13.0 | 22.0 | 26.0 | 22.5 | 400 | F461DU824(1)630(2) |
| 630 | 250 | 1.0 | DY | 15.5 | 24.5 | 26.0 | 22.5 | 400 | F461DY105(1)630(2) |
| 630 | 250 | 1.2 | DY | 15.5 | 24.5 | 26.0 | 22.5 | 400 | F461DY125(1)630(2) |
| 630 | 250 | 0.33 | FB | 9.0 | 17.0 | 31.5 | 27.5 | 180 | F461FB334(1)630(2) |
| 630 | 250 | 0.39 | FB | 9.0 | 17.0 | 31.5 | 27.5 | 180 | F461FB394(1)630(2) |
| 630 | 250 | 0.47 | FB | 9.0 | 17.0 | 31.5 | 27.5 | 180 | F461FB474(1)630(2) |
| 630 | 250 | 0.56 | FC | 11.0 | 20.0 | 31.5 | 27.5 | 180 | F461FC564(1)630(2) |
| 630 | 250 | 0.68 | FC | 11.0 | 20.0 | 31.5 | 27.5 | 180 | F461FC684(1)630(2) |
| 630 | 250 | 0.82 | FC | 11.0 | 20.0 | 31.5 | 27.5 | 180 | F461FC824(1)630(2) |
| 630 | 250 | 1.0 | FI | 13.0 | 25.0 | 31.5 | 27.5 | 180 | F461FI105(1)630(2) |
| 630 | 250 | 1.2 | FI | 13.0 | 25.0 | 31.5 | 27.5 | 180 | F461FI125(1)630(2) |
| 630 | 250 | 1.5 | FN | 14.0 | 28.0 | 31.5 | 27.5 | 180 | F461FN155(1)630(2) |
| 630 | 250 | 1.8 | FR | 17.5 | 28.0 | 31.5 | 27.5 | 180 | F461FR185(1)630(2) |
| 630 | 250 | 2.2 | FS | 19.0 | 29.0 | 31.5 | 27.5 | 180 | F461FS225(1)630(2) |
| 630 | 250 | 2.7 | FY | 22.0 | 37.0 | 31.5 | 27.5 | 180 | F461FY275(1)630(2) |
| 630 | 250 | 3.3 | FY | 22.0 | 37.0 | 31.5 | 27.5 | 180 | F461FY335(1)630(2) |
| 630 | 250 | 3.9 | FY | 22.0 | 37.0 | 31.5 | 27.5 | 180 | F461FY395(1)630(2) |
| 630 | 250 | 0.68 | RB | 11.0 | 22.0 | 41.0 | 37.5 | 90 | F461RB684(1)630(2) |
| 630 | 250 | 0.82 | RB | 11.0 | 22.0 | 41.0 | 37.5 | 90 | F461RB824(1)630(2) |
| 630 | 250 | 1.0 | RB | 11.0 | 22.0 | 41.0 | 37.5 | 90 | F461RB105(1)630(2) |
| 630 | 250 | 1.2 | RB | 11.0 | 22 | 41.0 | 37.5 | 90 | F461RB125(1)630(2) |
| 630 | 250 | 1.5 | RF | 13.0 | 24 | 41.0 | 37.5 | 90 | F461RF155(1)630(2) |
| 630 | 250 | 1.8 | RF | 13.0 | 24 | 41.0 | 37.5 | 90 | F461RF185(1)630(2) |
| 630 | 250 | 2.2 | RH | 15.0 | 26 | 41.0 | 37.5 | 90 | F461RH225(1)630(2) |
| 630 | 250 | 2.7 | RC | 16.0 | 28.5 | 41.0 | 37.5 | 90 | F461RC275(1)630(2) |
| 630 | 250 | 3.3 | RD | 19.0 | 32.0 | 41.0 | 37.5 | 90 | F461RD335(1)630(2) |
| 630 | 250 | 3.9 | RP | 21.0 | 38.0 | 41.0 | 37.5 | 90 | F461RP395(1)630(2) |
| 630 | 250 | 4.7 | RP | 21.0 | 38.0 | 41.0 | 37.5 | 90 | F461RP475(1)630(2) |
| 630 | 250 | 5.6 | RO | 24.0 | 44.0 | 41.0 | 37.5 | 90 | F461RO565(1)630(2) |
| 630 | 250 | 6.8 | RO | 24.0 | 44.0 | 41.0 | 37.5 | 90 | F461RO685(1)630(2) |
| 630 | 250 | 8.2 | RU | 30.0 | 45.0 | 41.0 | 37.5 | 90 | F461RU825(1)630(2) |
| 1000 | 300 | 0.0047 | AG | 4.0 | 9.0 | 13.0 | 10.0 | 2,000 | F462AG472(1)1K0(2) |
| 1000 | 300 | 0.0056 | AG | 4.0 | 9.0 | 13.0 | 10.0 | 2,000 | F462AG562(1)1K0(2) |
| 1000 | 300 | 0.0068 | AG | 4.0 | 9.0 | 13.0 | 10.0 | 2,000 | F462AG682(1)1K0(2) |
| 1000 | 300 | 0.0082 | AK | 5.0 | 11.0 | 13.0 | 10.0 | 2,000 | F462AK822(1)1K0(2) |
| 1000 | 300 | 0.01 | AK | 5.0 | 11.0 | 13.0 | 10.0 | 2,000 | F462AK103(1)1K0(2) |
| 1000 | 300 | 0.012 | AK | 5.0 | 11.0 | 13.0 | 10.0 | 2,000 | F462AK123(1)1K0(2) |
| 1000 | 300 | 0.015 | AP | 6.0 | 12.0 | 13.0 | 10.0 | 2,000 | F462AP153(1)1K0(2) |
| 1000 | 300 | 0.018 | AP | 6.0 | 12.0 | 13.0 | 10.0 | 2,000 | F462AP183(1)1K0(2) |
| 1000 | 300 | 0.022 | AP | 6.0 | 12.0 | 13.0 | 10.0 | 2,000 | F462AP223(1)1K0(2) |
| 1000 | 300 | 0.01 | BB | 4.0 | 10.0 | 18.0 | 15.0 | 1,600 | F462BB103(1)1K0(2) |
| 1000 | 300 | 0.012 | BB | 4.0 | 10.0 | 18.0 | 15.0 | 1,600 | F462BB123(1)1K0(2) |
| 1000 | 300 | 0.015 | BB | 4.0 | 10.0 | 18.0 | 15.0 | 1,600 | F462BB153(1)1K0(2) |
| 1000 | 300 | 0.018 | BC | 5.0 | 11.0 | 18.0 | 15.0 | 1,600 | F462BC183(1)1K0(2) |
| 1000 | 300 | 0.022 | BC | 5.0 | 11.0 | 18.0 | 15.0 | 1,600 | F462BC223(1)1K0(2) |
| 1000 | 300 | 0.027 | BE | 5.5 | 12.5 | 18.0 | 15.0 | 1,600 | F462BE273(1)1K0(2) |
| 1000 | 300 | 0.033 | BE | 5.5 | 12.5 | 18.0 | 15.0 | 1,600 | F462BE333(1)1K0(2) |
| 1000 | 300 | 0.039 | BK | 7.5 | 13.5 | 18.0 | 15.0 | 1,600 | F462BK393(1)1K0(2) |
| 1000 | 300 | 0.047 | BK | 7.5 | 13.5 | 18.0 | 15.0 | 1,600 | F462BK473(1)1K0(2) |
| 1000 | 300 | 0.056 | BK | 7.5 | 13.5 | 18.0 | 15.0 | 1,600 | F462BK563(1)1K0(2) |
| 1000 | 300 | 0.068 | BP | 8.5 | 14.5 | 18.0 | 15.0 | 1,600 | F462BP683(1)1K0(2) |
| 1000 | 300 | 0.082 | BS | 10.0 | 16.0 | 18.0 | 15.0 | 1,600 | F462BS823(1)1K0(2) |
| 1000 | 300 | 0.1 | BS | 10.0 | 16.0 | 18.0 | 15.0 | 1,600 | F462BS104(1)1K0(2) |
| 1000 | 300 | 0.12 | BY | 11.0 | 19.0 | 18.0 | 15.0 | 1,600 | F462BY124(1)1K0(2) |
| 1000 | 300 | 0.15 | BY | 11.0 | 19.0 | 18.0 | 15.0 | 1,600 | F462BY154(1)1K0(2) |
| 1000 | 300 | 0.047 | DB | 6.0 | 14.5 | 26.0 | 22.5 | 600 | F462DB473(1)1K0(2) |
| 1000 | 300 | 0.056 | DB | 6.0 | 14.5 | 26.0 | 22.5 | 600 | F462DB563(1)1K0(2) |
| VDC | VAC | Capacitance Value (µF) | Size Code | B (mm) | H (mm) | L (mm) | Lead Spacing (p) | dV/dt (V/µs) | Part Number |

(1) J = 5%, K = 10%, other tolerances on request.
 (2) Insert lead and packaging code. See Ordering Options Table for available options.
 (3) K = ±10% (only available tolerance).

Table 1 – Ratings & Part Number Reference cont'd

| VDC | VAC | Capacitance Value (µF) | Size Code | Max Dimensions in mm | | | Lead Spacing (p) | dV/dt (V/µs) | Part Number |
|------|-----|------------------------|-----------|----------------------|--------|--------|------------------|--------------|--------------------|
| | | | | B | H | L | | | |
| 1000 | 300 | 0.068 | DB | 6.0 | 14.5 | 26.0 | 22.5 | 600 | F462DB683(1)1K0(2) |
| 1000 | 300 | 0.082 | DI | 7.0 | 16.0 | 26.0 | 22.5 | 600 | F462DI823(1)1K0(2) |
| 1000 | 300 | 0.1 | DI | 7.0 | 16.0 | 26.0 | 22.5 | 600 | F462DI104(1)1K0(2) |
| 1000 | 300 | 0.12 | DH | 8.0 | 16.0 | 26.0 | 22.5 | 600 | F462DH124(1)1K0(2) |
| 1000 | 300 | 0.15 | DM | 9.0 | 18.5 | 26.0 | 22.5 | 600 | F462DM154(1)1K0(2) |
| 1000 | 300 | 0.18 | DO | 10.0 | 18.5 | 26.0 | 22.5 | 600 | F462DO184(1)1K0(2) |
| 1000 | 300 | 0.22 | DO | 10.0 | 18.5 | 26.0 | 22.5 | 600 | F462DO224(1)1K0(2) |
| 1000 | 300 | 0.27 | DU | 13.0 | 22.0 | 26.0 | 22.5 | 600 | F462DU274(1)1K0(2) |
| 1000 | 300 | 0.33 | DU | 13.0 | 22.0 | 26.0 | 22.5 | 600 | F462DU334(1)1K0(2) |
| 1000 | 300 | 0.39 | DY | 15.5 | 24.5 | 26.0 | 22.5 | 600 | F462DY394(1)1K0(2) |
| 1000 | 300 | 0.47 | DY | 15.5 | 24.5 | 26.0 | 22.5 | 600 | F462DY474(1)1K0(2) |
| 1000 | 300 | 0.56 | DY | 15.5 | 24.5 | 26.0 | 22.5 | 600 | F462DY564(1)1K0(2) |
| 1000 | 300 | 0.15 | FB | 9.0 | 17.0 | 31.5 | 27.5 | 200 | F462FB154(1)1K0(2) |
| 1000 | 300 | 0.18 | FB | 9.0 | 17.0 | 31.5 | 27.5 | 200 | F462FB184(1)1K0(2) |
| 1000 | 300 | 0.22 | FB | 9.0 | 17.0 | 31.5 | 27.5 | 200 | F462FB224(1)1K0(2) |
| 1000 | 300 | 0.27 | FC | 11.0 | 20.0 | 31.5 | 27.5 | 200 | F462FC274(1)1K0(2) |
| 1000 | 300 | 0.33 | FC | 11.0 | 20.0 | 31.5 | 27.5 | 200 | F462FC334(1)1K0(2) |
| 1000 | 300 | 0.39 | FI | 13.0 | 25.0 | 31.5 | 27.5 | 200 | F462FI394(1)1K0(2) |
| 1000 | 300 | 0.47 | FI | 13.0 | 25.0 | 31.5 | 27.5 | 200 | F462FI474(1)1K0(2) |
| 1000 | 300 | 0.56 | FN | 14.0 | 28.0 | 31.5 | 27.5 | 200 | F462FN564(1)1K0(2) |
| 1000 | 300 | 0.68 | FN | 14.0 | 28.0 | 31.5 | 27.5 | 200 | F462FN684(1)1K0(2) |
| 1000 | 300 | 0.82 | FR | 17.5 | 28.0 | 31.5 | 27.5 | 200 | F462FR824(1)1K0(2) |
| 1000 | 300 | 1.0 | FY | 22.0 | 37.0 | 31.5 | 27.5 | 200 | F462FY105(1)1K0(2) |
| 1000 | 300 | 1.2 | FY | 22.0 | 37.0 | 31.5 | 27.5 | 200 | F462FY125(1)1K0(2) |
| 1000 | 300 | 1.5 | FY | 22.0 | 37.0 | 31.5 | 27.5 | 200 | F462FY155(1)1K0(2) |
| 1000 | 300 | 0.33 | RB | 11.0 | 22.0 | 41.0 | 37.5 | 150 | F462RB334(1)1K0(2) |
| 1000 | 300 | 0.39 | RB | 11.0 | 22.0 | 41.0 | 37.5 | 150 | F462RB394(1)1K0(2) |
| 1000 | 300 | 0.47 | RB | 11.0 | 22.0 | 41.0 | 37.5 | 150 | F462RB474(1)1K0(2) |
| 1000 | 300 | 0.56 | RB | 11.0 | 22.0 | 41.0 | 37.5 | 150 | F462RB564(1)1K0(2) |
| 1000 | 300 | 0.68 | RF | 13.0 | 24.0 | 41.0 | 37.5 | 150 | F462RF684(1)1K0(2) |
| 1000 | 300 | 0.82 | RH | 15.0 | 26.0 | 41.0 | 37.5 | 150 | F462RH824(1)1K0(2) |
| 1000 | 300 | 1.0 | RC | 16.0 | 28.5 | 41.0 | 37.5 | 150 | F462RC105(1)1K0(2) |
| 1000 | 300 | 1.2 | RD | 19.0 | 32.0 | 41.0 | 37.5 | 150 | F462RD125(1)1K0(2) |
| 1000 | 300 | 1.5 | RD | 19.0 | 32.0 | 41.0 | 37.5 | 150 | F462RD155(1)1K0(2) |
| 1000 | 300 | 1.8 | RP | 21.0 | 38.0 | 41.0 | 37.5 | 150 | F462RP185(1)1K0(2) |
| 1000 | 300 | 2.2 | RP | 21.0 | 38.0 | 41.0 | 37.5 | 150 | F462RP225(1)1K0(2) |
| 1000 | 300 | 2.7 | RO | 24.0 | 44.0 | 41.0 | 37.5 | 150 | F462RO275(1)1K0(2) |
| 1000 | 300 | 3.3 | RU | 30.0 | 45.0 | 41.0 | 37.5 | 150 | F462RU335(1)1K0(2) |
| 1000 | 300 | 3.9 | RU | 30.0 | 45.0 | 41.0 | 37.5 | 150 | F462RU395(1)1K0(2) |
| 1250 | 400 | 0.0033 | AG | 4.0 | 9.0 | 13.0 | 10.0 | 2,200 | F462AG332(1)1L2(2) |
| 1250 | 400 | 0.0047 | AG | 4.0 | 9.0 | 13.0 | 10.0 | 2,200 | F462AG472(1)1L2(2) |
| 1250 | 400 | 0.0056 | AG | 4.0 | 9.0 | 13.0 | 10.0 | 2,200 | F462AG562(1)1L2(2) |
| 1250 | 400 | 0.0068 | AK | 5.0 | 11.0 | 13.0 | 10.0 | 2,200 | F462AK682(1)1L2(2) |
| 1250 | 400 | 0.0082 | AK | 5.0 | 11.0 | 13.0 | 10.0 | 2,200 | F462AK822(1)1L2(2) |
| 1250 | 400 | 0.01 | AK | 5.0 | 11.0 | 13.0 | 10.0 | 2,200 | F462AK103(1)1L2(2) |
| 1250 | 400 | 0.012 | AK | 5.0 | 11.0 | 13.0 | 10.0 | 2,200 | F462AK123(1)1L2(2) |
| 1250 | 400 | 0.015 | AP | 6.0 | 12.0 | 13.0 | 10.0 | 2,200 | F462AP153(1)1L2(2) |
| 1250 | 400 | 0.0068 | BB | 4.0 | 10.0 | 18.0 | 15.0 | 2,000 | F462BB682(1)1L2(2) |
| 1250 | 400 | 0.0082 | BB | 4.0 | 10.0 | 18.0 | 15.0 | 2,000 | F462BB822(1)1L2(2) |
| 1250 | 400 | 0.01 | BB | 4.0 | 10.0 | 18.0 | 15.0 | 2,000 | F462BB103(1)1L2(2) |
| 1250 | 400 | 0.012 | BC | 5.0 | 11.0 | 18.0 | 15.0 | 2,000 | F462BC123(1)1L2(2) |
| 1250 | 400 | 0.015 | BC | 5.0 | 11.0 | 18.0 | 15.0 | 2,000 | F462BC153(1)1L2(2) |
| 1250 | 400 | 0.018 | BE | 5.5 | 12.5 | 18.0 | 15.0 | 2,000 | F462BE183(1)1L2(2) |
| 1250 | 400 | 0.022 | BE | 5.5 | 12.5 | 18.0 | 15.0 | 2,000 | F462BE223(1)1L2(2) |
| 1250 | 400 | 0.027 | BK | 7.5 | 13.5 | 18.0 | 15.0 | 2,000 | F462BK273(1)1L2(2) |
| 1250 | 400 | 0.033 | BK | 7.5 | 13.5 | 18.0 | 15.0 | 2,000 | F462BK333(1)1L2(2) |
| 1250 | 400 | 0.039 | BK | 7.5 | 13.5 | 18.0 | 15.0 | 2,000 | F462BK393(1)1L2(2) |
| 1250 | 400 | 0.047 | BK | 7.5 | 13.5 | 18.0 | 15.0 | 2,000 | F462BK473(1)1L2(2) |
| 1250 | 400 | 0.056 | BP | 8.5 | 14.5 | 18.0 | 15.0 | 2,000 | F462BP563(1)1L2(2) |
| 1250 | 400 | 0.068 | BS | 10.0 | 16.0 | 18.0 | 15.0 | 2,000 | F462BS683(1)1L2(2) |
| VDC | VAC | Capacitance Value (µF) | Size Code | B (mm) | H (mm) | L (mm) | Lead Spacing (p) | dV/dt (V/µs) | Part Number |

(1) J = 5%, K = 10%, other tolerances on request.
 (2) Insert lead and packaging code. See Ordering Options Table for available options.
 (3) K = ±10% (only available tolerance).

Table 1 – Ratings & Part Number Reference cont'd

| VDC | VAC | Capacitance Value (µF) | Size Code | Max Dimensions in mm | | | Lead Spacing (p) | dV/dt (V/µs) | Part Number |
|------|-----|------------------------|-----------|----------------------|--------|--------|------------------|--------------|--------------------|
| | | | | B | H | L | | | |
| 1250 | 400 | 0.082 | BY | 11.0 | 19.0 | 18.0 | 15.0 | 2,000 | F462BY823(1)1L2(2) |
| 1250 | 400 | 0.1 | BY | 11.0 | 19.0 | 18.0 | 15.0 | 2,000 | F462BY104(1)1L2(2) |
| 1250 | 400 | 0.12 | BY | 11.0 | 19.0 | 18.0 | 15.0 | 2,000 | F462BY124(1)1L2(2) |
| 1250 | 400 | 0.033 | DB | 6.0 | 14.5 | 26.0 | 22.5 | 800 | F462DB333(1)1L2(2) |
| 1250 | 400 | 0.039 | DB | 6.0 | 14.5 | 26.0 | 22.5 | 800 | F462DB393(1)1L2(2) |
| 1250 | 400 | 0.047 | DB | 6.0 | 14.5 | 26.0 | 22.5 | 800 | F462DB473(1)1L2(2) |
| 1250 | 400 | 0.056 | DB | 6.0 | 14.5 | 26.0 | 22.5 | 800 | F462DB563(1)1L2(2) |
| 1250 | 400 | 0.068 | DI | 7.0 | 16.0 | 26.0 | 22.5 | 800 | F462DI683(1)1L2(2) |
| 1250 | 400 | 0.082 | DI | 7.0 | 16.0 | 26.0 | 22.5 | 800 | F462DI823(1)1L2(2) |
| 1250 | 400 | 0.1 | DJ | 8.5 | 17.0 | 26.0 | 22.5 | 800 | F462DJ104(1)1L2(2) |
| 1250 | 400 | 0.12 | DM | 9.0 | 18.5 | 26.0 | 22.5 | 800 | F462DM124(1)1L2(2) |
| 1250 | 400 | 0.15 | DM | 9.0 | 18.5 | 26.0 | 22.5 | 800 | F462DM154(1)1L2(2) |
| 1250 | 400 | 0.18 | DP | 11.0 | 20.0 | 26.0 | 22.5 | 800 | F462DP184(1)1L2(2) |
| 1250 | 400 | 0.22 | DU | 13.0 | 22.0 | 26.0 | 22.5 | 800 | F462DU224(1)1L2(2) |
| 1250 | 400 | 0.27 | DY | 15.5 | 24.5 | 26.0 | 22.5 | 800 | F462DY274(1)1L2(2) |
| 1250 | 400 | 0.33 | DY | 15.5 | 24.5 | 26.0 | 22.5 | 800 | F462DY334(1)1L2(2) |
| 1250 | 400 | 0.39 | DY | 15.5 | 24.5 | 26.0 | 22.5 | 800 | F462DY394(1)1L2(2) |
| 1250 | 400 | 0.1 | FB | 9.0 | 17.0 | 31.5 | 27.5 | 380 | F462FB104(1)1L2(2) |
| 1250 | 400 | 0.12 | FB | 9.0 | 17.0 | 31.5 | 27.5 | 380 | F462FB124(1)1L2(2) |
| 1250 | 400 | 0.15 | FB | 9.0 | 17.0 | 31.5 | 27.5 | 380 | F462FB154(1)1L2(2) |
| 1250 | 400 | 0.18 | FC | 11.0 | 20.0 | 31.5 | 27.5 | 380 | F462FC184(1)1L2(2) |
| 1250 | 400 | 0.22 | FC | 11.0 | 20.0 | 31.5 | 27.5 | 380 | F462FC224(1)1L2(2) |
| 1250 | 400 | 0.27 | FI | 13.0 | 25.0 | 31.5 | 27.5 | 380 | F462FI274(1)1L2(2) |
| 1250 | 400 | 0.33 | FI | 13.0 | 25.0 | 31.5 | 27.5 | 380 | F462FI334(1)1L2(2) |
| 1250 | 400 | 0.39 | FI | 13.0 | 25.0 | 31.5 | 27.5 | 380 | F462FI394(1)1L2(2) |
| 1250 | 400 | 0.47 | FN | 14.0 | 28.0 | 31.5 | 27.5 | 380 | F462FN474(1)1L2(2) |
| 1250 | 400 | 0.56 | FR | 17.5 | 28.0 | 31.5 | 27.5 | 380 | F462FR564(1)1L2(2) |
| 1250 | 400 | 0.68 | FS | 19.0 | 29.0 | 31.5 | 27.5 | 380 | F462FS684(1)1L2(2) |
| 1250 | 400 | 0.82 | FY | 22.0 | 37.0 | 31.5 | 27.5 | 380 | F462FY824(1)1L2(2) |
| 1250 | 400 | 1.0 | FY | 22.0 | 37.0 | 31.5 | 27.5 | 380 | F462FY105(1)1L2(2) |
| 1250 | 400 | 1.2 | FY | 22.0 | 37.0 | 31.5 | 27.5 | 380 | F462FY125(1)1L2(2) |
| 1250 | 400 | 0.22 | RB | 11.0 | 22.0 | 41.0 | 37.5 | 180 | F462RB224(1)1L2(2) |
| 1250 | 400 | 0.27 | RB | 11.0 | 22.0 | 41.0 | 37.5 | 180 | F462RB274(1)1L2(2) |
| 1250 | 400 | 0.33 | RB | 11.0 | 22.0 | 41.0 | 37.5 | 180 | F462RB334(1)1L2(2) |
| 1250 | 400 | 0.39 | RB | 11.0 | 22.0 | 41.0 | 37.5 | 180 | F462RB394(1)1L2(2) |
| 1250 | 400 | 0.47 | RF | 13.0 | 24.0 | 41.0 | 37.5 | 180 | F462RF474(1)1L2(2) |
| 1250 | 400 | 0.56 | RF | 13.0 | 24.0 | 41.0 | 37.5 | 180 | F462RF564(1)1L2(2) |
| 1250 | 400 | 0.68 | RH | 15.0 | 26.0 | 41.0 | 37.5 | 180 | F462RH684(1)1L2(2) |
| 1250 | 400 | 0.82 | RC | 16.0 | 28.5 | 41.0 | 37.5 | 180 | F462RC824(1)1L2(2) |
| 1250 | 400 | 1.0 | RD | 19.0 | 32.0 | 41.0 | 37.5 | 180 | F462RD105(1)1L2(2) |
| 1250 | 400 | 1.2 | RP | 21.0 | 38.0 | 41.0 | 37.5 | 180 | F462RP125(1)1L2(2) |
| 1250 | 400 | 1.5 | RP | 21.0 | 38.0 | 41.0 | 37.5 | 180 | F462RP155(1)1L2(2) |
| 1250 | 400 | 1.8 | RO | 24.0 | 44.0 | 41.0 | 37.5 | 180 | F462RO185(1)1L2(2) |
| 1250 | 400 | 2.2 | RU | 30.0 | 45.0 | 41.0 | 37.5 | 180 | F462RU225(1)1L2(2) |
| 1250 | 400 | 2.7 | RU | 30.0 | 45.0 | 41.0 | 37.5 | 180 | F462RU275(1)1L2(2) |
| 1250 | 500 | 0.0047 | BB | 4.0 | 10.0 | 18.0 | 15.0 | 3,500 | F463BB472(1)1L2(2) |
| 1250 | 500 | 0.0056 | BB | 4.0 | 10.0 | 18.0 | 15.0 | 3,500 | F463BB562(1)1L2(2) |
| 1250 | 500 | 0.0068 | BB | 4.0 | 10.0 | 18.0 | 15.0 | 3,500 | F463BB682(1)1L2(2) |
| 1250 | 500 | 0.0082 | BC | 5.0 | 11.0 | 18.0 | 15.0 | 3,500 | F463BC822(1)1L2(2) |
| 1250 | 500 | 0.01 | BC | 5.0 | 11.0 | 18.0 | 15.0 | 3,500 | F463BC103(1)1L2(2) |
| 1250 | 500 | 0.012 | BE | 5.5 | 12.5 | 18.0 | 15.0 | 3,500 | F463BE123(1)1L2(2) |
| 1250 | 500 | 0.015 | BG | 6.0 | 12.0 | 18.0 | 15.0 | 3,500 | F463BG153(1)1L2(2) |
| 1250 | 500 | 0.018 | BK | 7.5 | 13.5 | 18.0 | 15.0 | 3,500 | F463BK183(1)1L2(2) |
| 1250 | 500 | 0.022 | BK | 7.5 | 13.5 | 18.0 | 15.0 | 3,500 | F463BK223(1)1L2(2) |
| 1250 | 500 | 0.027 | BK | 7.5 | 13.5 | 18.0 | 15.0 | 3,500 | F463BK273(1)1L2(2) |
| 1250 | 500 | 0.033 | BP | 8.5 | 14.5 | 18.0 | 15.0 | 3,500 | F463BP333(1)1L2(2) |
| 1250 | 500 | 0.039 | BS | 10.0 | 16.0 | 18.0 | 15.0 | 3,500 | F463BS393(1)1L2(2) |
| 1250 | 500 | 0.047 | BS | 10.0 | 16.0 | 18.0 | 15.0 | 3,500 | F463BS473(1)1L2(2) |
| 1250 | 500 | 0.056 | BY | 11.0 | 19.0 | 18.0 | 15.0 | 3,500 | F463BY563(1)1L2(2) |
| 1250 | 500 | 0.068 | BY | 11.0 | 19.0 | 18.0 | 15.0 | 3,500 | F463BY683(1)1L2(2) |
| VDC | VAC | Capacitance Value (µF) | Size Code | B (mm) | H (mm) | L (mm) | Lead Spacing (p) | dV/dt (V/µs) | Part Number |

(1) J = 5%, K = 10%, other tolerances on request.
 (2) Insert lead and packaging code. See Ordering Options Table for available options.
 (3) K = ±10% (only available tolerance).

Table 1 – Ratings & Part Number Reference cont'd

| VDC | VAC | Capacitance Value (µF) | Size Code | Max Dimensions in mm | | | Lead Spacing (p) | dV/dt (V/µs) | Part Number |
|------|-----|------------------------|-----------|----------------------|--------|--------|------------------|--------------|--------------------|
| | | | | B | H | L | | | |
| 1250 | 500 | 0.022 | DB | 6.0 | 14.5 | 26.0 | 22.5 | 2,000 | F463DB223(1)1L2(2) |
| 1250 | 500 | 0.027 | DB | 6.0 | 14.5 | 26.0 | 22.5 | 2,000 | F463DB273(1)1L2(2) |
| 1250 | 500 | 0.033 | DB | 6.0 | 14.5 | 26.0 | 22.5 | 2,000 | F463DB333(1)1L2(2) |
| 1250 | 500 | 0.039 | DB | 6.0 | 14.5 | 26.0 | 22.5 | 2,000 | F463DB393(1)1L2(2) |
| 1250 | 500 | 0.047 | DI | 7.0 | 16.0 | 26.0 | 22.5 | 2,000 | F463DI473(1)1L2(2) |
| 1250 | 500 | 0.056 | DI | 7.0 | 16.0 | 26.0 | 22.5 | 2,000 | F463DI563(1)1L2(2) |
| 1250 | 500 | 0.068 | DJ | 8.5 | 17.0 | 26.0 | 22.5 | 2,000 | F463DJ683(1)1L2(2) |
| 1250 | 500 | 0.082 | DM | 9.0 | 18.5 | 26.0 | 22.5 | 2,000 | F463DM823(1)1L2(2) |
| 1250 | 500 | 0.1 | DO | 10.0 | 18.5 | 26.0 | 22.5 | 2,000 | F463DO104(1)1L2(2) |
| 1250 | 500 | 0.12 | DP | 11.0 | 20.0 | 26.0 | 22.5 | 2,000 | F463DP124(1)1L2(2) |
| 1250 | 500 | 0.15 | DU | 13.0 | 22.0 | 26.0 | 22.5 | 2,000 | F463DU154(1)1L2(2) |
| 1250 | 500 | 0.18 | DU | 13.0 | 22.0 | 26.0 | 22.5 | 2,000 | F463DU184(1)1L2(2) |
| 1250 | 500 | 0.22 | DY | 15.5 | 24.5 | 26.0 | 22.5 | 2,000 | F463DY224(1)1L2(2) |
| 1250 | 500 | 0.27 | DY | 15.5 | 24.5 | 26.0 | 22.5 | 2,000 | F463DY274(1)1L2(2) |
| 1250 | 500 | 0.068 | FB | 9.0 | 17.0 | 31.5 | 27.5 | 800 | F463FB683(1)1L2(2) |
| 1250 | 500 | 0.082 | FB | 9.0 | 17.0 | 31.5 | 27.5 | 800 | F463FB823(1)1L2(2) |
| 1250 | 500 | 0.1 | FB | 9.0 | 17.0 | 31.5 | 27.5 | 800 | F463FB104(1)1L2(2) |
| 1250 | 500 | 0.12 | FB | 9.0 | 17.0 | 31.5 | 27.5 | 800 | F463FB124(1)1L2(2) |
| 1250 | 500 | 0.15 | FC | 11.0 | 20.0 | 31.5 | 27.5 | 800 | F463FC154(1)1L2(2) |
| 1250 | 500 | 0.18 | FC | 11.0 | 20.0 | 31.5 | 27.5 | 800 | F463FC184(1)1L2(2) |
| 1250 | 500 | 0.22 | FI | 13.0 | 25.0 | 31.5 | 27.5 | 800 | F463FI224(1)1L2(2) |
| 1250 | 500 | 0.27 | FI | 13.0 | 25.0 | 31.5 | 27.5 | 800 | F463FI274(1)1L2(2) |
| 1250 | 500 | 0.33 | FN | 14.0 | 28.0 | 31.5 | 27.5 | 800 | F463FN334(1)1L2(2) |
| 1250 | 500 | 0.39 | FR | 17.5 | 28.0 | 31.5 | 27.5 | 800 | F463FR394(1)1L2(2) |
| 1250 | 500 | 0.47 | FR | 17.5 | 28.0 | 31.5 | 27.5 | 800 | F463FR474(1)1L2(2) |
| 1250 | 500 | 0.56 | FY | 22.0 | 37.0 | 31.5 | 27.5 | 800 | F463FY564(1)1L2(2) |
| 1250 | 500 | 0.68 | FY | 22.0 | 37.0 | 31.5 | 27.5 | 800 | F463FY684(1)1L2(2) |
| 1250 | 500 | 0.82 | FY | 22.0 | 37.0 | 31.5 | 27.5 | 800 | F463FY824(1)1L2(2) |
| 1250 | 500 | 0.22 | RB | 11.0 | 22.0 | 41.0 | 37.5 | 400 | F463RB224(1)1L2(2) |
| 1250 | 500 | 0.27 | RB | 11.0 | 22.0 | 41.0 | 37.5 | 400 | F463RB274(1)1L2(2) |
| 1250 | 500 | 0.33 | RB | 11.0 | 22.0 | 41.0 | 37.5 | 400 | F463RB334(1)1L2(2) |
| 1250 | 500 | 0.39 | RF | 13.0 | 24.0 | 41.0 | 37.5 | 400 | F463RF394(1)1L2(2) |
| 1250 | 500 | 0.47 | RH | 15.0 | 26.0 | 41.0 | 37.5 | 400 | F463RH474(1)1L2(2) |
| 1250 | 500 | 0.56 | RC | 16.0 | 28.5 | 41.0 | 37.5 | 400 | F463RC564(1)1L2(2) |
| 1250 | 500 | 0.68 | RC | 16.0 | 28.5 | 41.0 | 37.5 | 400 | F463RC684(1)1L2(2) |
| 1250 | 500 | 0.82 | RD | 19.0 | 32.0 | 41.0 | 37.5 | 400 | F463RD824(1)1L2(2) |
| 1250 | 500 | 1.0 | RP | 21.0 | 38.0 | 41.0 | 37.5 | 400 | F463RP105(1)1L2(2) |
| 1250 | 500 | 1.2 | RP | 21.0 | 38.0 | 41.0 | 37.5 | 400 | F463RP125(1)1L2(2) |
| 1250 | 500 | 1.5 | RO | 24.0 | 44.0 | 41.0 | 37.5 | 400 | F463RO155(1)1L2(2) |
| 1250 | 500 | 1.8 | RU | 30.0 | 45.0 | 41.0 | 37.5 | 400 | F463RU185(1)1L2(2) |
| 1250 | 500 | 2.2 | RU | 30.0 | 45.0 | 41.0 | 37.5 | 400 | F463RU225(1)1L2(2) |
| 1600 | 500 | 0.001 | AG | 4.0 | 9.0 | 13.0 | 10.0 | 6,000 | F462AG102(1)1K6(2) |
| 1600 | 500 | 0.0012 | AG | 4.0 | 9.0 | 13.0 | 10.0 | 6,000 | F462AG122(1)1K6(2) |
| 1600 | 500 | 0.0015 | AG | 4.0 | 9.0 | 13.0 | 10.0 | 6,000 | F462AG152(1)1K6(2) |
| 1600 | 500 | 0.0018 | AG | 4.0 | 9.0 | 13.0 | 10.0 | 6,000 | F462AG182(1)1K6(2) |
| 1600 | 500 | 0.0022 | AG | 4.0 | 9.0 | 13.0 | 10.0 | 6,000 | F462AG222(1)1K6(2) |
| 1600 | 500 | 0.0027 | AK | 5.0 | 11.0 | 13.0 | 10.0 | 6,000 | F462AK272(1)1K6(2) |
| 1600 | 500 | 0.0033 | AK | 5.0 | 11.0 | 13.0 | 10.0 | 6,000 | F462AK332(1)1K6(2) |
| 1600 | 500 | 0.0039 | AK | 5.0 | 11.0 | 13.0 | 10.0 | 6,000 | F462AK392(1)1K6(2) |
| 1600 | 500 | 0.0047 | AK | 5.0 | 11.0 | 13.0 | 10.0 | 6,000 | F462AK472(1)1K6(2) |
| 1600 | 500 | 0.0056 | AP | 6.0 | 12.0 | 13.0 | 10.0 | 6,000 | F462AP562(1)1K6(2) |
| 1600 | 500 | 0.0068 | AP | 6.0 | 12.0 | 13.0 | 10.0 | 6,000 | F462AP682(1)1K6(2) |
| 1600 | 500 | 0.0033 | BB | 4.0 | 10.0 | 18.0 | 15.0 | 4,500 | F462BB332(1)1K6(2) |
| 1600 | 500 | 0.0039 | BB | 4.0 | 10.0 | 18.0 | 15.0 | 4,500 | F462BB392(1)1K6(2) |
| 1600 | 500 | 0.0047 | BB | 4.0 | 10.0 | 18.0 | 15.0 | 4,500 | F462BB472(1)1K6(2) |
| 1600 | 500 | 0.0056 | BB | 4.0 | 10.0 | 18.0 | 15.0 | 4,500 | F462BB562(1)1K6(2) |
| 1600 | 500 | 0.0068 | BC | 5.0 | 11.0 | 18.0 | 15.0 | 4,500 | F462BC682(1)1K6(2) |
| 1600 | 500 | 0.0082 | BC | 5.0 | 11.0 | 18.0 | 15.0 | 4,500 | F462BC822(1)1K6(2) |
| 1600 | 500 | 0.01 | BE | 5.5 | 12.5 | 18.0 | 15.0 | 4,500 | F462BE103(1)1K6(2) |
| 1600 | 500 | 0.012 | BG | 6.0 | 12.0 | 18.0 | 15.0 | 4,500 | F462BG123(1)1K6(2) |
| VDC | VAC | Capacitance Value (µF) | Size Code | B (mm) | H (mm) | L (mm) | Lead Spacing (p) | dV/dt (V/µs) | Part Number |

(1) J = 5%, K = 10%, other tolerances on request.
 (2) Insert lead and packaging code. See Ordering Options Table for available options.
 (3) K = ±10% (only available tolerance).

Table 1 – Ratings & Part Number Reference cont'd

| VDC | VAC | Capacitance Value (µF) | Size Code | Max Dimensions in mm | | | Lead Spacing (p) | dV/dt (V/µs) | Part Number |
|------|-----|------------------------|-----------|----------------------|--------|--------|------------------|--------------|--------------------|
| | | | | B | H | L | | | |
| 1600 | 500 | 0.015 | BK | 7.5 | 13.5 | 18.0 | 15.0 | 4,500 | F462BK153(1)1K6(2) |
| 1600 | 500 | 0.018 | BK | 7.5 | 13.5 | 18.0 | 15.0 | 4,500 | F462BK183(1)1K6(2) |
| 1600 | 500 | 0.022 | BK | 7.5 | 13.5 | 18.0 | 15.0 | 4,500 | F462BK223(1)1K6(2) |
| 1600 | 500 | 0.027 | BP | 8.5 | 14.5 | 18.0 | 15.0 | 4,500 | F462BP273(1)1K6(2) |
| 1600 | 500 | 0.033 | BS | 10.0 | 16.0 | 18.0 | 15.0 | 4,500 | F462BS333(1)1K6(2) |
| 1600 | 500 | 0.039 | BY | 11.0 | 19.0 | 18.0 | 15.0 | 4,500 | F462BY393(1)1K6(2) |
| 1600 | 500 | 0.047 | BY | 11.0 | 19.0 | 18.0 | 15.0 | 4,500 | F462BY473(1)1K6(2) |
| 1600 | 500 | 0.056 | BY | 11.0 | 19.0 | 18.0 | 15.0 | 4,500 | F462BY563(1)1K6(2) |
| 1600 | 500 | 0.015 | DB | 6.0 | 14.5 | 26.0 | 22.5 | 1,800 | F462DB153(1)1K6(2) |
| 1600 | 500 | 0.018 | DB | 6.0 | 14.5 | 26.0 | 22.5 | 1,800 | F462DB183(1)1K6(2) |
| 1600 | 500 | 0.022 | DB | 6.0 | 14.5 | 26.0 | 22.5 | 1,800 | F462DB223(1)1K6(2) |
| 1600 | 500 | 0.027 | DB | 6.0 | 14.5 | 26.0 | 22.5 | 1,800 | F462DB273(1)1K6(2) |
| 1600 | 500 | 0.033 | DI | 7.0 | 16.0 | 26.0 | 22.5 | 1,800 | F462DI333(1)1K6(2) |
| 1600 | 500 | 0.039 | DI | 7.0 | 16.0 | 26.0 | 22.5 | 1,800 | F462DI393(1)1K6(2) |
| 1600 | 500 | 0.047 | DH | 8.0 | 16.0 | 26.0 | 22.5 | 1,800 | F462DH473(1)1K6(2) |
| 1600 | 500 | 0.056 | DM | 9.0 | 18.5 | 26.0 | 22.5 | 1,800 | F462DM563(1)1K6(2) |
| 1600 | 500 | 0.068 | DO | 10.0 | 18.5 | 26.0 | 22.5 | 1,800 | F462DO683(1)1K6(2) |
| 1600 | 500 | 0.082 | DP | 11.0 | 20.0 | 26.0 | 22.5 | 1,800 | F462DP823(1)1K6(2) |
| 1600 | 500 | 0.1 | DP | 11.0 | 20.0 | 26.0 | 22.5 | 1,800 | F462DP104(1)1K6(2) |
| 1600 | 500 | 0.12 | DU | 13.0 | 22.0 | 26.0 | 22.5 | 1,800 | F462DU124(1)1K6(2) |
| 1600 | 500 | 0.15 | DY | 15.5 | 24.5 | 26.0 | 22.5 | 1,800 | F462DY154(1)1K6(2) |
| 1600 | 500 | 0.18 | DY | 15.5 | 24.5 | 26.0 | 22.5 | 1,800 | F462DY184(1)1K6(2) |
| 1600 | 500 | 0.22 | DY | 15.5 | 24.5 | 26.0 | 22.5 | 1,800 | F462DY224(3)1K6(2) |
| 1600 | 500 | 0.047 | FB | 9.0 | 17.0 | 31.5 | 27.5 | 500 | F462FB473(1)1K6(2) |
| 1600 | 500 | 0.056 | FB | 9.0 | 17.0 | 31.5 | 27.5 | 500 | F462FB563(1)1K6(2) |
| 1600 | 500 | 0.068 | FB | 9.0 | 17.0 | 31.5 | 27.5 | 500 | F462FB683(1)1K6(2) |
| 1600 | 500 | 0.082 | FB | 9.0 | 17.0 | 31.5 | 27.5 | 500 | F462FB823(1)1K6(2) |
| 1600 | 500 | 0.1 | FC | 11.0 | 20.0 | 31.5 | 27.5 | 500 | F462FC104(1)1K6(2) |
| 1600 | 500 | 0.12 | FC | 11.0 | 20.0 | 31.5 | 27.5 | 500 | F462FC124(1)1K6(2) |
| 1600 | 500 | 0.15 | FI | 13.0 | 25.0 | 31.5 | 27.5 | 500 | F462FI154(1)1K6(2) |
| 1600 | 500 | 0.18 | FI | 13.0 | 25.0 | 31.5 | 27.5 | 500 | F462FI184(1)1K6(2) |
| 1600 | 500 | 0.22 | FN | 14.0 | 28.0 | 31.5 | 27.5 | 500 | F462FN224(1)1K6(2) |
| 1600 | 500 | 0.27 | FR | 17.5 | 28.0 | 31.5 | 27.5 | 500 | F462FR274(1)1K6(2) |
| 1600 | 500 | 0.33 | FR | 17.5 | 28.0 | 31.5 | 27.5 | 500 | F462FR334(1)1K6(2) |
| 1600 | 500 | 0.39 | FS | 19.0 | 29.0 | 31.5 | 27.5 | 500 | F462FS394(1)1K6(2) |
| 1600 | 500 | 0.47 | FY | 22.0 | 37.0 | 31.5 | 27.5 | 500 | F462FY474(1)1K6(2) |
| 1600 | 500 | 0.56 | FY | 22.0 | 37.0 | 31.5 | 27.5 | 500 | F462FY564(1)1K6(2) |
| 1600 | 500 | 0.68 | FY | 22.0 | 37.0 | 31.5 | 27.5 | 500 | F462FY684(1)1K6(2) |
| 1600 | 500 | 0.15 | RB | 11.0 | 22.0 | 41.0 | 37.5 | 300 | F462RB154(1)1K6(2) |
| 1600 | 500 | 0.18 | RB | 11.0 | 22.0 | 41.0 | 37.5 | 300 | F462RB184(1)1K6(2) |
| 1600 | 500 | 0.22 | RB | 11.0 | 22.0 | 41.0 | 37.5 | 300 | F462RB224(1)1K6(2) |
| 1600 | 500 | 0.27 | RF | 13.0 | 24.0 | 41.0 | 37.5 | 300 | F462RF274(1)1K6(2) |
| 1600 | 500 | 0.33 | RH | 15.0 | 26.0 | 41.0 | 37.5 | 300 | F462RH334(1)1K6(2) |
| 1600 | 500 | 0.39 | RC | 16.0 | 28.5 | 41.0 | 37.5 | 300 | F462RC394(1)1K6(2) |
| 1600 | 500 | 0.47 | RC | 16.0 | 28.5 | 41.0 | 37.5 | 300 | F462RC474(1)1K6(2) |
| 1600 | 500 | 0.56 | RD | 19.0 | 32.0 | 41.0 | 37.5 | 300 | F462RD564(1)1K6(2) |
| 1600 | 500 | 0.68 | RP | 21.0 | 38.0 | 41.0 | 37.5 | 300 | F462RP684(1)1K6(2) |
| 1600 | 500 | 0.82 | RP | 21.0 | 38.0 | 41.0 | 37.5 | 300 | F462RP824(1)1K6(2) |
| 1600 | 500 | 1.0 | RO | 24.0 | 44.0 | 41.0 | 37.5 | 300 | F462RO105(1)1K6(2) |
| 1600 | 500 | 1.2 | RO | 24.0 | 44.0 | 41.0 | 37.5 | 300 | F462RO125(1)1K6(2) |
| 1600 | 500 | 1.5 | RU | 30.0 | 45.0 | 41.0 | 37.5 | 300 | F462RU155(1)1K6(2) |
| 1600 | 650 | 0.0033 | BB | 4.0 | 10.0 | 18.0 | 15.0 | 6,000 | F463BB332(1)1K6(2) |
| 1600 | 650 | 0.0039 | BB | 4.0 | 10.0 | 18.0 | 15.0 | 6,000 | F463BB392(1)1K6(2) |
| 1600 | 650 | 0.0047 | BB | 4.0 | 10.0 | 18.0 | 15.0 | 6,000 | F463BB472(1)1K6(2) |
| 1600 | 650 | 0.0056 | BC | 5.0 | 11.0 | 18.0 | 15.0 | 6,000 | F463BC562(1)1K6(2) |
| 1600 | 650 | 0.0068 | BC | 5.0 | 11.0 | 18.0 | 15.0 | 6,000 | F463BC682(1)1K6(2) |
| 1600 | 650 | 0.0082 | BE | 5.5 | 12.5 | 18.0 | 15.0 | 6,000 | F463BE822(1)1K6(2) |
| 1600 | 650 | 0.01 | BG | 6.0 | 12.0 | 18.0 | 15.0 | 6,000 | F463BG103(1)1K6(2) |
| 1600 | 650 | 0.012 | BK | 7.5 | 13.5 | 18.0 | 15.0 | 6,000 | F463BK123(1)1K6(2) |
| 1600 | 650 | 0.015 | BK | 7.5 | 13.5 | 18.0 | 15.0 | 6,000 | F463BK153(1)1K6(2) |
| VDC | VAC | Capacitance Value (µF) | Size Code | B (mm) | H (mm) | L (mm) | Lead Spacing (p) | dV/dt (V/µs) | Part Number |

(1) J = 5%, K = 10%, other tolerances on request.
 (2) Insert lead and packaging code. See Ordering Options Table for available options.
 (3) K = ±10% (only available tolerance).

Table 1 – Ratings & Part Number Reference cont'd

| VDC | VAC | Capacitance Value (µF) | Size Code | Max Dimensions in mm | | | Lead Spacing (p) | dV/dt (V/µs) | Part Number |
|------|-----|------------------------|-----------|----------------------|--------|--------|------------------|--------------|--------------------|
| | | | | B | H | L | | | |
| 1600 | 650 | 0.018 | BP | 8.5 | 14.5 | 18.0 | 15.0 | 6,000 | F463BP183(1)1K6(2) |
| 1600 | 650 | 0.022 | BP | 8.5 | 14.5 | 18.0 | 15.0 | 6,000 | F463BP223(1)1K6(2) |
| 1600 | 650 | 0.027 | BS | 10.0 | 16.0 | 18.0 | 15.0 | 6,000 | F463BS273(1)1K6(2) |
| 1600 | 650 | 0.033 | BY | 11.0 | 19.0 | 18.0 | 15.0 | 6,000 | F463BY333(1)1K6(2) |
| 1600 | 650 | 0.039 | BY | 11.0 | 19.0 | 18.0 | 15.0 | 6,000 | F463BY393(1)1K6(2) |
| 1600 | 650 | 0.047 | BY | 11.0 | 19.0 | 18.0 | 15.0 | 6,000 | F463BY473(1)1K6(2) |
| 1600 | 650 | 0.015 | DB | 6.0 | 14.5 | 26.0 | 22.5 | 3,000 | F463DB153(1)1K6(2) |
| 1600 | 650 | 0.018 | DB | 6.0 | 14.5 | 26.0 | 22.5 | 3,000 | F463DB183(1)1K6(2) |
| 1600 | 650 | 0.022 | DB | 6.0 | 14.5 | 26.0 | 22.5 | 3,000 | F463DB223(1)1K6(2) |
| 1600 | 650 | 0.027 | DB | 6.0 | 14.5 | 26.0 | 22.5 | 3,000 | F463DB273(1)1K6(2) |
| 1600 | 650 | 0.033 | DI | 7.0 | 16.0 | 26.0 | 22.5 | 3,000 | F463DI333(1)1K6(2) |
| 1600 | 650 | 0.039 | DI | 7.0 | 16.0 | 26.0 | 22.5 | 3,000 | F463DI393(1)1K6(2) |
| 1600 | 650 | 0.047 | DJ | 8.5 | 17.0 | 26.0 | 22.5 | 3,000 | F463DJ473(1)1K6(2) |
| 1600 | 650 | 0.056 | DM | 9.0 | 18.5 | 26.0 | 22.5 | 3,000 | F463DM563(1)1K6(2) |
| 1600 | 650 | 0.068 | DO | 10.0 | 18.5 | 26.0 | 22.5 | 3,000 | F463DO683(1)1K6(2) |
| 1600 | 650 | 0.082 | DP | 11.0 | 20.0 | 26.0 | 22.5 | 3,000 | F463DP823(1)1K6(2) |
| 1600 | 650 | 0.1 | DU | 13.0 | 22.0 | 26.0 | 22.5 | 3,000 | F463DU104(1)1K6(2) |
| 1600 | 650 | 0.12 | DU | 13.0 | 22.0 | 26.0 | 22.5 | 3,000 | F463DU124(1)1K6(2) |
| 1600 | 650 | 0.15 | DY | 15.5 | 24.5 | 26.0 | 22.5 | 3,000 | F463DY154(1)1K6(2) |
| 1600 | 650 | 0.18 | DY | 15.5 | 24.5 | 26.0 | 22.5 | 3,000 | F463DY184(1)1K6(2) |
| 1600 | 650 | 0.047 | FB | 9.0 | 17.0 | 31.5 | 27.5 | 1,500 | F463FB473(1)1K6(2) |
| 1600 | 650 | 0.056 | FB | 9.0 | 17.0 | 31.5 | 27.5 | 1,500 | F463FB563(1)1K6(2) |
| 1600 | 650 | 0.068 | FB | 9.0 | 17.0 | 31.5 | 27.5 | 1,500 | F463FB683(1)1K6(2) |
| 1600 | 650 | 0.082 | FB | 9.0 | 17.0 | 31.5 | 27.5 | 1,500 | F463FB823(1)1K6(2) |
| 1600 | 650 | 0.1 | FC | 11.0 | 20.0 | 31.5 | 27.5 | 1,500 | F463FC104(1)1K6(2) |
| 1600 | 650 | 0.12 | FC | 11.0 | 20.0 | 31.5 | 27.5 | 1,500 | F463FC124(1)1K6(2) |
| 1600 | 650 | 0.15 | FI | 13.0 | 25.0 | 31.5 | 27.5 | 1,500 | F463FI154(1)1K6(2) |
| 1600 | 650 | 0.18 | FI | 13.0 | 25.0 | 31.5 | 27.5 | 1,500 | F463FI184(1)1K6(2) |
| 1600 | 650 | 0.22 | FN | 14.0 | 28.0 | 31.5 | 27.5 | 1,500 | F463FN224(1)1K6(2) |
| 1600 | 650 | 0.27 | FR | 17.5 | 28.0 | 31.5 | 27.5 | 1,500 | F463FR274(1)1K6(2) |
| 1600 | 650 | 0.33 | FS | 19.0 | 29.0 | 31.5 | 27.5 | 1,500 | F463FS334(1)1K6(2) |
| 1600 | 650 | 0.39 | FY | 22.0 | 37.0 | 31.5 | 27.5 | 1,500 | F463FY394(1)1K6(2) |
| 1600 | 650 | 0.47 | FY | 22.0 | 37.0 | 31.5 | 27.5 | 1,500 | F463FY474(1)1K6(2) |
| 1600 | 650 | 0.56 | FY | 22.0 | 37.0 | 31.5 | 27.5 | 1,500 | F463FY564(1)1K6(2) |
| 1600 | 650 | 0.15 | RB | 11.0 | 22.0 | 41.0 | 37.5 | 750 | F463RB154(1)1K6(2) |
| 1600 | 650 | 0.18 | RB | 11.0 | 22.0 | 41.0 | 37.5 | 750 | F463RB184(1)1K6(2) |
| 1600 | 650 | 0.22 | RB | 11.0 | 22.0 | 41.0 | 37.5 | 750 | F463RB224(1)1K6(2) |
| 1600 | 650 | 0.27 | RF | 13.0 | 24.0 | 41.0 | 37.5 | 750 | F463RF274(1)1K6(2) |
| 1600 | 650 | 0.33 | RH | 15.0 | 26.0 | 41.0 | 37.5 | 750 | F463RH334(1)1K6(2) |
| 1600 | 650 | 0.39 | RC | 16.0 | 28.5 | 41.0 | 37.5 | 750 | F463RC394(1)1K6(2) |
| 1600 | 650 | 0.47 | RD | 19.0 | 32.0 | 41.0 | 37.5 | 750 | F463RD474(1)1K6(2) |
| 1600 | 650 | 0.56 | RD | 19.0 | 32.0 | 41.0 | 37.5 | 750 | F463RD564(1)1K6(2) |
| 1600 | 650 | 0.68 | RP | 21.0 | 38.0 | 41.0 | 37.5 | 750 | F463RP684(1)1K6(2) |
| 1600 | 650 | 0.82 | RP | 21.0 | 38.0 | 41.0 | 37.5 | 750 | F463RP824(1)1K6(2) |
| 1600 | 650 | 1.0 | RO | 24.0 | 44.0 | 41.0 | 37.5 | 750 | F463RO105(1)1K6(2) |
| 1600 | 650 | 1.2 | RO | 24.0 | 44.0 | 41.0 | 37.5 | 750 | F463RO125(1)1K6(2) |
| 1600 | 650 | 1.5 | RU | 30.0 | 45.0 | 41.0 | 37.5 | 750 | F463RU155(1)1K6(2) |
| 2000 | 700 | 0.001 | AG | 4.0 | 9.0 | 13.0 | 10.0 | 10,000 | F463AG102(1)2K0(2) |
| 2000 | 700 | 0.0012 | AG | 4.0 | 9.0 | 13.0 | 10.0 | 10,000 | F463AG122(1)2K0(2) |
| 2000 | 700 | 0.0015 | AG | 4.0 | 9.0 | 13.0 | 10.0 | 10,000 | F463AG152(1)2K0(2) |
| 2000 | 700 | 0.0018 | AG | 4.0 | 9.0 | 13.0 | 10.0 | 10,000 | F463AG182(1)2K0(2) |
| 2000 | 700 | 0.0022 | AK | 5.0 | 11.0 | 13.0 | 10.0 | 10,000 | F463AK222(1)2K0(2) |
| 2000 | 700 | 0.0027 | AK | 5.0 | 11.0 | 13.0 | 10.0 | 10,000 | F463AK272(1)2K0(2) |
| 2000 | 700 | 0.0033 | AK | 5.0 | 11.0 | 13.0 | 10.0 | 10,000 | F463AK332(1)2K0(2) |
| 2000 | 700 | 0.0039 | AP | 6.0 | 12.0 | 13.0 | 10.0 | 10,000 | F463AP392(1)2K0(2) |
| 2000 | 700 | 0.0047 | AP | 6.0 | 12.0 | 13.0 | 10.0 | 10,000 | F463AP472(1)2K0(2) |
| 2000 | 700 | 0.0056 | AP | 6.0 | 12.0 | 13.0 | 10.0 | 10,000 | F463AP562(1)2K0(2) |
| 2000 | 700 | 0.001 | BB | 4.0 | 10.0 | 18.0 | 15.0 | 9,500 | F463BB102(1)2K0(2) |
| 2000 | 700 | 0.0012 | BB | 4.0 | 10.0 | 18.0 | 15.0 | 9,500 | F463BB122(1)2K0(2) |
| 2000 | 700 | 0.0015 | BB | 4.0 | 10.0 | 18.0 | 15.0 | 9,500 | F463BB152(1)2K0(2) |
| VDC | VAC | Capacitance Value (µF) | Size Code | B (mm) | H (mm) | L (mm) | Lead Spacing (p) | dV/dt (V/µs) | Part Number |

(1) J = 5%, K = 10%, other tolerances on request.
 (2) Insert lead and packaging code. See Ordering Options Table for available options.
 (3) K = ±10% (only available tolerance).

Table 1 – Ratings & Part Number Reference cont'd

| VDC | VAC | Capacitance Value (µF) | Size Code | Max Dimensions in mm | | | Lead Spacing (p) | dV/dt (V/µs) | Part Number |
|------|-----|------------------------|-----------|----------------------|--------|--------|------------------|--------------|--------------------|
| | | | | B | H | L | | | |
| 2000 | 700 | 0.0018 | BB | 4.0 | 10.0 | 18.0 | 15.0 | 9,500 | F463BB182(1)2K0(2) |
| 2000 | 700 | 0.0022 | BB | 4.0 | 10.0 | 18.0 | 15.0 | 9,500 | F463BB222(1)2K0(2) |
| 2000 | 700 | 0.0027 | BC | 5.0 | 11.0 | 18.0 | 15.0 | 9,500 | F463BC272(1)2K0(2) |
| 2000 | 700 | 0.0033 | BC | 5.0 | 11.0 | 18.0 | 15.0 | 9,500 | F463BC332(1)2K0(2) |
| 2000 | 700 | 0.0039 | BC | 5.0 | 11.0 | 18.0 | 15.0 | 9,500 | F463BC392(1)2K0(2) |
| 2000 | 700 | 0.0047 | BE | 5.5 | 12.5 | 18.0 | 15.0 | 9,500 | F463BE472(1)2K0(2) |
| 2000 | 700 | 0.0056 | BE | 5.5 | 12.5 | 18.0 | 15.0 | 9,500 | F463BE562(1)2K0(2) |
| 2000 | 700 | 0.0068 | BK | 7.5 | 13.5 | 18.0 | 15.0 | 9,500 | F463BK682(1)2K0(2) |
| 2000 | 700 | 0.0082 | BK | 7.5 | 13.5 | 18.0 | 15.0 | 9,500 | F463BK822(1)2K0(2) |
| 2000 | 700 | 0.01 | BK | 7.5 | 13.5 | 18.0 | 15.0 | 9,500 | F463BK103(1)2K0(2) |
| 2000 | 700 | 0.012 | BP | 8.5 | 14.5 | 18.0 | 15.0 | 9,500 | F463BP123(1)2K0(2) |
| 2000 | 700 | 0.015 | BS | 10.0 | 16.0 | 18.0 | 15.0 | 9,500 | F463BS153(1)2K0(2) |
| 2000 | 700 | 0.018 | BY | 11.0 | 19.0 | 18.0 | 15.0 | 9,500 | F463BY183(1)2K0(2) |
| 2000 | 700 | 0.022 | BY | 11.0 | 19.0 | 18.0 | 15.0 | 9,500 | F463BY223(1)2K0(2) |
| 2000 | 700 | 0.027 | BY | 11.0 | 19.0 | 18.0 | 15.0 | 9,500 | F463BY273(1)2K0(2) |
| 2000 | 700 | 0.01 | DB | 6.0 | 14.5 | 26.0 | 22.5 | 4,500 | F463DB103(1)2K0(2) |
| 2000 | 700 | 0.012 | DB | 6.0 | 14.5 | 26.0 | 22.5 | 4,500 | F463DB123(1)2K0(2) |
| 2000 | 700 | 0.015 | DI | 7.0 | 16.0 | 26.0 | 22.5 | 4,500 | F463DI153(1)2K0(2) |
| 2000 | 700 | 0.018 | DI | 7.0 | 16.0 | 26.0 | 22.5 | 4,500 | F463DI183(1)2K0(2) |
| 2000 | 700 | 0.022 | DH | 8.0 | 16.0 | 26.0 | 22.5 | 4,500 | F463DH223(1)2K0(2) |
| 2000 | 700 | 0.027 | DJ | 8.5 | 17.0 | 26.0 | 22.5 | 4,500 | F463DJ273(1)2K0(2) |
| 2000 | 700 | 0.033 | DO | 10.0 | 18.5 | 26.0 | 22.5 | 4,500 | F463DO333(1)2K0(2) |
| 2000 | 700 | 0.039 | DO | 10.0 | 18.5 | 26.0 | 22.5 | 4,500 | F463DO393(1)2K0(2) |
| 2000 | 700 | 0.047 | DP | 11.0 | 20.0 | 26.0 | 22.5 | 4,500 | F463DP473(1)2K0(2) |
| 2000 | 700 | 0.056 | DU | 13.0 | 22.0 | 26.0 | 22.5 | 4,500 | F463DU563(1)2K0(2) |
| 2000 | 700 | 0.068 | DU | 13.0 | 22.0 | 26.0 | 22.5 | 4,500 | F463DU683(1)2K0(2) |
| 2000 | 700 | 0.082 | DY | 15.5 | 24.5 | 26.0 | 22.5 | 4,500 | F463DY823(1)2K0(2) |
| 2000 | 700 | 0.1 | DY | 15.5 | 24.5 | 26.0 | 22.5 | 4,500 | F463DY104(1)2K0(2) |
| 2000 | 700 | 0.022 | FB | 9.0 | 17.0 | 31.5 | 27.5 | 1,000 | F463FB223(1)2K0(2) |
| 2000 | 700 | 0.027 | FB | 9.0 | 17.0 | 31.5 | 27.5 | 1,000 | F463FB273(1)2K0(2) |
| 2000 | 700 | 0.033 | FB | 9.0 | 17.0 | 31.5 | 27.5 | 1,000 | F463FB333(1)2K0(2) |
| 2000 | 700 | 0.039 | FB | 9.0 | 17.0 | 31.5 | 27.5 | 1,000 | F463FB393(1)2K0(2) |
| 2000 | 700 | 0.047 | FC | 11.0 | 20.0 | 31.5 | 27.5 | 1,000 | F463FC473(1)2K0(2) |
| 2000 | 700 | 0.056 | FC | 11.0 | 20.0 | 31.5 | 27.5 | 1,000 | F463FC563(1)2K0(2) |
| 2000 | 700 | 0.068 | FC | 11.0 | 20.0 | 31.5 | 27.5 | 1,000 | F463FC683(1)2K0(2) |
| 2000 | 700 | 0.082 | FI | 13.0 | 25.0 | 31.5 | 27.5 | 1,000 | F463FI823(1)2K0(2) |
| 2000 | 700 | 0.1 | FI | 13.0 | 25.0 | 31.5 | 27.5 | 1,000 | F463FI104(1)2K0(2) |
| 2000 | 700 | 0.12 | FN | 14.0 | 28.0 | 31.5 | 27.5 | 1,000 | F463FN124(1)2K0(2) |
| 2000 | 700 | 0.15 | FR | 17.5 | 28.0 | 31.5 | 27.5 | 1,000 | F463FR154(1)2K0(2) |
| 2000 | 700 | 0.18 | FS | 19.0 | 29.0 | 31.5 | 27.5 | 1,000 | F463FS184(1)2K0(2) |
| 2000 | 700 | 0.22 | FY | 22.0 | 37.0 | 31.5 | 27.5 | 1,000 | F463FY224(1)2K0(2) |
| 2000 | 700 | 0.27 | FY | 22.0 | 37.0 | 31.5 | 27.5 | 1,000 | F463FY274(1)2K0(2) |
| 2000 | 700 | 0.33 | FY | 22.0 | 37.0 | 31.5 | 27.5 | 1,000 | F463FY334(1)2K0(2) |
| 2000 | 700 | 0.068 | RB | 11.0 | 22.0 | 41.0 | 37.5 | 500 | F463RB683(1)2K0(2) |
| 2000 | 700 | 0.082 | RB | 11.0 | 22.0 | 41.0 | 37.5 | 500 | F463RB823(1)2K0(2) |
| 2000 | 700 | 0.1 | RB | 11.0 | 22.0 | 41.0 | 37.5 | 500 | F463RB104(1)2K0(2) |
| 2000 | 700 | 0.12 | RB | 11.0 | 22.0 | 41.0 | 37.5 | 500 | F463RB124(1)2K0(2) |
| 2000 | 700 | 0.15 | RF | 13.0 | 24.0 | 41.0 | 37.5 | 500 | F463RF154(1)2K0(2) |
| 2000 | 700 | 0.18 | RH | 15.0 | 26.0 | 41.0 | 37.5 | 500 | F463RH184(1)2K0(2) |
| 2000 | 700 | 0.22 | RC | 16.0 | 28.5 | 41.0 | 37.5 | 500 | F463RC224(1)2K0(2) |
| 2000 | 700 | 0.27 | RD | 19.0 | 32.0 | 41.0 | 37.5 | 500 | F463RD274(1)2K0(2) |
| 2000 | 700 | 0.33 | RD | 19.0 | 32.0 | 41.0 | 37.5 | 500 | F463RD334(1)2K0(2) |
| 2000 | 700 | 0.39 | RP | 21.0 | 38.0 | 41.0 | 37.5 | 500 | F463RP394(1)2K0(2) |
| 2000 | 700 | 0.47 | RP | 21.0 | 38.0 | 41.0 | 37.5 | 500 | F463RP474(1)2K0(2) |
| 2000 | 700 | 0.56 | RO | 24.0 | 44.0 | 41.0 | 37.5 | 500 | F463RO564(1)2K0(2) |
| 2000 | 700 | 0.68 | RU | 30.0 | 45.0 | 41.0 | 37.5 | 500 | F463RU684(1)2K0(2) |
| 2000 | 700 | 0.82 | RU | 30.0 | 45.0 | 41.0 | 37.5 | 500 | F463RU824(1)2K0(2) |
| 2500 | 900 | 0.001 | BB | 4.0 | 10.0 | 18.0 | 15.0 | 4,500 | F464BB102(1)2K5(2) |
| 2500 | 900 | 0.0012 | BB | 4.0 | 10.0 | 18.0 | 15.0 | 4,500 | F464BB122(1)2K5(2) |
| 2500 | 900 | 0.0015 | BB | 4.0 | 10.0 | 18.0 | 15.0 | 4,500 | F464BB152(1)2K5(2) |
| VDC | VAC | Capacitance Value (µF) | Size Code | B (mm) | H (mm) | L (mm) | Lead Spacing (p) | dV/dt (V/µs) | Part Number |

(1) J = 5%, K = 10%, other tolerances on request.
 (2) Insert lead and packaging code. See Ordering Options Table for available options.
 (3) K = ±10% (only available tolerance).

Table 1 – Ratings & Part Number Reference cont'd

| VDC | VAC | Capacitance Value (µF) | Size Code | Max Dimensions in mm | | | Lead Spacing (p) | dV/dt (V/µs) | Part Number |
|------|-----|------------------------|-----------|----------------------|--------|--------|------------------|--------------|--------------------|
| | | | | B | H | L | | | |
| 2500 | 900 | 0.0018 | BB | 4.0 | 10.0 | 18.0 | 15.0 | 4,500 | F464BB182(1)2K5(2) |
| 2500 | 900 | 0.0022 | BB | 4.0 | 10.0 | 18.0 | 15.0 | 4,500 | F464BB222(1)2K5(2) |
| 2500 | 900 | 0.0027 | BC | 5.0 | 11.0 | 18.0 | 15.0 | 4,500 | F464BC272(1)2K5(2) |
| 2500 | 900 | 0.0033 | BC | 5.0 | 11.0 | 18.0 | 15.0 | 4,500 | F464BC332(1)2K5(2) |
| 2500 | 900 | 0.0039 | BE | 5.5 | 12.5 | 18.0 | 15.0 | 4,500 | F464BE392(1)2K5(2) |
| 2500 | 900 | 0.0047 | BE | 5.5 | 12.5 | 18.0 | 15.0 | 4,500 | F464BE472(1)2K5(2) |
| 2500 | 900 | 0.0056 | BK | 7.5 | 13.5 | 18.0 | 15.0 | 4,500 | F464BK562(1)2K5(2) |
| 2500 | 900 | 0.0068 | BK | 7.5 | 13.5 | 18.0 | 15.0 | 4,500 | F464BK682(1)2K5(2) |
| 2500 | 900 | 0.0082 | BK | 7.5 | 13.5 | 18.0 | 15.0 | 4,500 | F464BK822(1)2K5(2) |
| 2500 | 900 | 0.01 | BP | 8.5 | 14.5 | 18.0 | 15.0 | 4,500 | F464BP103(1)2K5(2) |
| 2500 | 900 | 0.012 | BS | 10.0 | 16.0 | 18.0 | 15.0 | 4,500 | F464BS123(1)2K5(2) |
| 2500 | 900 | 0.015 | BS | 10.0 | 16.0 | 18.0 | 15.0 | 4,500 | F464BS153(1)2K5(2) |
| 2500 | 900 | 0.018 | BY | 11.0 | 19.0 | 18.0 | 15.0 | 4,500 | F464BY183(1)2K5(2) |
| 2500 | 900 | 0.022 | BY | 11.0 | 19.0 | 18.0 | 15.0 | 4,500 | F464BY223(1)2K5(2) |
| 2500 | 900 | 0.0047 | DB | 6.0 | 14.5 | 26.0 | 22.5 | 2,500 | F464DB472(1)2K5(2) |
| 2500 | 900 | 0.0056 | DB | 6.0 | 14.5 | 26.0 | 22.5 | 2,500 | F464DB562(1)2K5(2) |
| 2500 | 900 | 0.0068 | DB | 6.0 | 14.5 | 26.0 | 22.5 | 2,500 | F464DB682(1)2K5(2) |
| 2500 | 900 | 0.0082 | DB | 6.0 | 14.5 | 26.0 | 22.5 | 2,500 | F464DB822(1)2K5(2) |
| 2500 | 900 | 0.01 | DI | 7.0 | 16.0 | 26.0 | 22.5 | 2,500 | F464DI103(1)2K5(2) |
| 2500 | 900 | 0.012 | DI | 7.0 | 16.0 | 26.0 | 22.5 | 2,500 | F464DI123(1)2K5(2) |
| 2500 | 900 | 0.015 | DJ | 8.5 | 17.0 | 26.0 | 22.5 | 2,500 | F464DJ153(1)2K5(2) |
| 2500 | 900 | 0.018 | DM | 9.0 | 18.5 | 26.0 | 22.5 | 2,500 | F464DM183(1)2K5(2) |
| 2500 | 900 | 0.022 | DO | 10.0 | 18.5 | 26.0 | 22.5 | 2,500 | F464DO223(1)2K5(2) |
| 2500 | 900 | 0.027 | DP | 11.0 | 20.0 | 26.0 | 22.5 | 2,500 | F464DP273(1)2K5(2) |
| 2500 | 900 | 0.033 | DU | 13.0 | 22.0 | 26.0 | 22.5 | 2,500 | F464DU333(1)2K5(2) |
| 2500 | 900 | 0.039 | DY | 15.5 | 24.5 | 26.0 | 22.5 | 2,500 | F464DY393(1)2K5(2) |
| 2500 | 900 | 0.047 | DY | 15.5 | 24.5 | 26.0 | 22.5 | 2,500 | F464DY473(1)2K5(2) |
| 2500 | 900 | 0.056 | DY | 15.5 | 24.5 | 26.0 | 22.5 | 2,500 | F464DY563(1)2K5(2) |
| 2500 | 900 | 0.015 | FB | 9.0 | 17.0 | 31.5 | 27.5 | 1,500 | F464FB153(1)2K5(2) |
| 2500 | 900 | 0.018 | FB | 9.0 | 17.0 | 31.5 | 27.5 | 1,500 | F464FB183(1)2K5(2) |
| 2500 | 900 | 0.022 | FB | 9.0 | 17.0 | 31.5 | 27.5 | 1,500 | F464FB223(1)2K5(2) |
| 2500 | 900 | 0.027 | FB | 9.0 | 17.0 | 31.5 | 27.5 | 1,500 | F464FB273(1)2K5(2) |
| 2500 | 900 | 0.033 | FC | 11.0 | 20.0 | 31.5 | 27.5 | 1,500 | F464FC333(1)2K5(2) |
| 2500 | 900 | 0.039 | FC | 11.0 | 20.0 | 31.5 | 27.5 | 1,500 | F464FC393(1)2K5(2) |
| 2500 | 900 | 0.047 | FI | 13.0 | 25.0 | 31.5 | 27.5 | 1,500 | F464FI473(1)2K5(2) |
| 2500 | 900 | 0.056 | FI | 13.0 | 25.0 | 31.5 | 27.5 | 1,500 | F464FI563(1)2K5(2) |
| 2500 | 900 | 0.068 | FI | 13.0 | 25.0 | 31.5 | 27.5 | 1,500 | F464FI683(1)2K5(2) |
| 2500 | 900 | 0.082 | FN | 14.0 | 28.0 | 31.5 | 27.5 | 1,500 | F464FN823(1)2K5(2) |
| 2500 | 900 | 0.1 | FR | 17.5 | 28.0 | 31.5 | 27.5 | 1,500 | F464FR104(1)2K5(2) |
| 2500 | 900 | 0.12 | FS | 19.0 | 29.0 | 31.5 | 27.5 | 1,500 | F464FS124(1)2K5(2) |
| 2500 | 900 | 0.15 | FY | 22.0 | 37.0 | 31.5 | 27.5 | 1,500 | F464FY154(1)2K5(2) |
| 2500 | 900 | 0.18 | FY | 22.0 | 37.0 | 31.5 | 27.5 | 1,500 | F464FY184(1)2K5(2) |
| 2500 | 900 | 0.047 | RB | 11.0 | 22.0 | 41.0 | 37.5 | 900 | F464RB473(1)2K5(2) |
| 2500 | 900 | 0.056 | RB | 11.0 | 22.0 | 41.0 | 37.5 | 900 | F464RB563(1)2K5(2) |
| 2500 | 900 | 0.068 | RB | 11.0 | 22.0 | 41.0 | 37.5 | 900 | F464RB683(1)2K5(2) |
| 2500 | 900 | 0.082 | RF | 13.0 | 24.0 | 41.0 | 37.5 | 900 | F464RF823(1)2K5(2) |
| 2500 | 900 | 0.1 | RF | 13.0 | 24.0 | 41.0 | 37.5 | 900 | F464RF104(1)2K5(2) |
| 2500 | 900 | 0.12 | RH | 15.0 | 26.0 | 41.0 | 37.5 | 900 | F464RH124(1)2K5(2) |
| 2500 | 900 | 0.15 | RC | 16.0 | 28.5 | 41.0 | 37.5 | 900 | F464RC154(1)2K5(2) |
| 2500 | 900 | 0.18 | RD | 19.0 | 32.0 | 41.0 | 37.5 | 900 | F464RD184(1)2K5(2) |
| 2500 | 900 | 0.22 | RD | 19.0 | 32.0 | 41.0 | 37.5 | 900 | F464RD224(1)2K5(2) |
| 2500 | 900 | 0.27 | RP | 21.0 | 38.0 | 41.0 | 37.5 | 900 | F464RP274(1)2K5(2) |
| 2500 | 900 | 0.33 | RO | 24.0 | 44.0 | 41.0 | 37.5 | 900 | F464RO334(1)2K5(2) |
| 2500 | 900 | 0.39 | RO | 24.0 | 44.0 | 41.0 | 37.5 | 900 | F464RO394(1)2K5(2) |
| 2500 | 900 | 0.47 | RU | 30.0 | 45.0 | 41.0 | 37.5 | 900 | F464RU474(1)2K5(2) |
| 2500 | 900 | 0.56 | RU | 30.0 | 45.0 | 41.0 | 37.5 | 900 | F464RU564(1)2K5(2) |
| VDC | VAC | Capacitance Value (µF) | Size Code | B (mm) | H (mm) | L (mm) | Lead Spacing (p) | dV/dt (V/µs) | Part Number |

(1) J = 5%, K = 10%, other tolerances on request.

(2) Insert lead and packaging code. See Ordering Options Table for available options.

(3) K = ±10% (only available tolerance).

Soldering Process

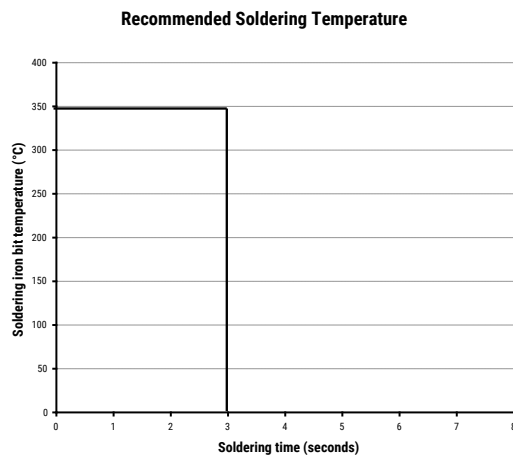
The implementation of the RoHS directive has resulted in the selection of SnAgCu (SAC) alloys or SnCu alloys as primary solder. This has increased the liquidus temperature from that of 183°C for SnPb eutectic alloy to 217 – 221°C for the new alloys. As a result, the heat stress to the components, even in wave soldering, has increased considerably due to higher pre-heat and wave temperatures. Polypropylene capacitors are especially sensitive to heat (the melting point of polypropylene is 160 – 170°C). Wave soldering can be destructive, especially for mechanically small polypropylene capacitors (with lead spacing of 5 mm to 15 mm), and great care has to be taken during soldering. The recommended solder profiles from KEMET should be used. Please consult KEMET with any questions. In general, the wave soldering curve from IEC Publication 61760–1 Edition 2 serves as a solid guideline for successful soldering. Please see Figure 1.

Reflow soldering is not recommended for through-hole film capacitors. Exposing capacitors to a soldering profile in excess of the above the recommended limits may result to degradation or permanent damage to the capacitors.

Do not place the polypropylene capacitor through an adhesive curing oven to cure resin for surface mount components. Insert through-hole parts after the curing of surface mount parts. Consult KEMET to discuss the actual temperature profile in the oven, if through-hole components must pass through the adhesive curing process. A maximum two soldering cycles is recommended. Please allow time for the capacitor surface temperature to return to a normal temperature before the second soldering cycle.

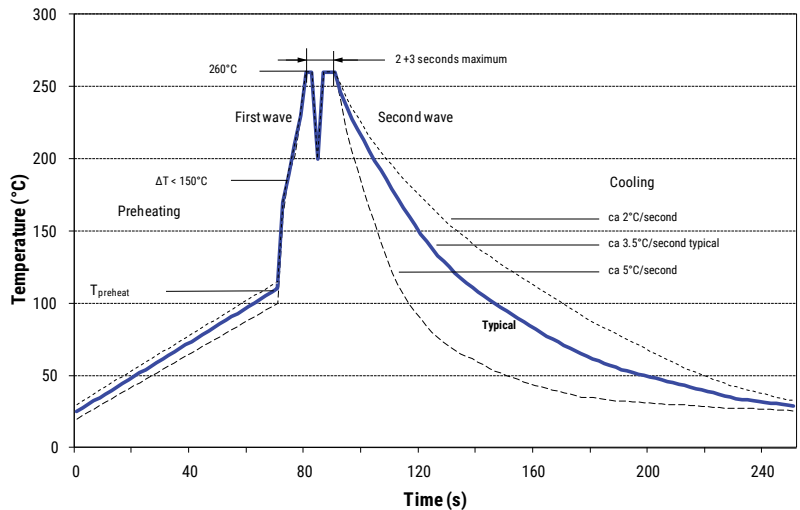
Manual Soldering Recommendations

Following is the recommendation for manual soldering with a soldering iron.



The soldering iron tip temperature should be set at 350°C (+10°C maximum) with the soldering duration not to exceed more than 3 seconds.

Wave Soldering Recommendations



Soldering Process cont'd

Wave Soldering Recommendations cont'd

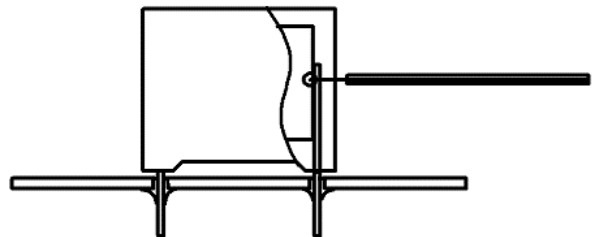
1. The table indicates the maximum set-up temperature of the soldering process
 Figure 1

| Dielectric Film Material | Maximum Preheat Temperature | | | Maximum Peak Soldering Temperature | |
|--------------------------|-----------------------------|-------------------------|-------------------------|------------------------------------|-------------------------|
| | Capacitor Pitch ≤ 10 mm | Capacitor Pitch = 15 mm | Capacitor Pitch > 15 mm | Capacitor Pitch ≤ 15 mm | Capacitor Pitch > 15 mm |
| Polyester | 130°C | 130°C | 130°C | 270°C | 270°C |
| Polypropylene | 100°C | 110°C | 130°C | 260°C | 270°C |
| Paper | 130°C | 130°C | 140°C | 270°C | 270°C |
| Polyphenylene Sulphide | 150°C | 150°C | 160°C | 270°C | 270°C |

2. The maximum temperature measured inside the capacitor:

Set the temperature so that inside the element the maximum temperature is below the limit:

| Dielectric Film Material | Maximum temperature measured inside the element |
|--------------------------|---|
| Polyester | 160°C |
| Polypropylene | 110°C |
| Paper | 160°C |
| Polyphenylene Sulphide | 160°C |



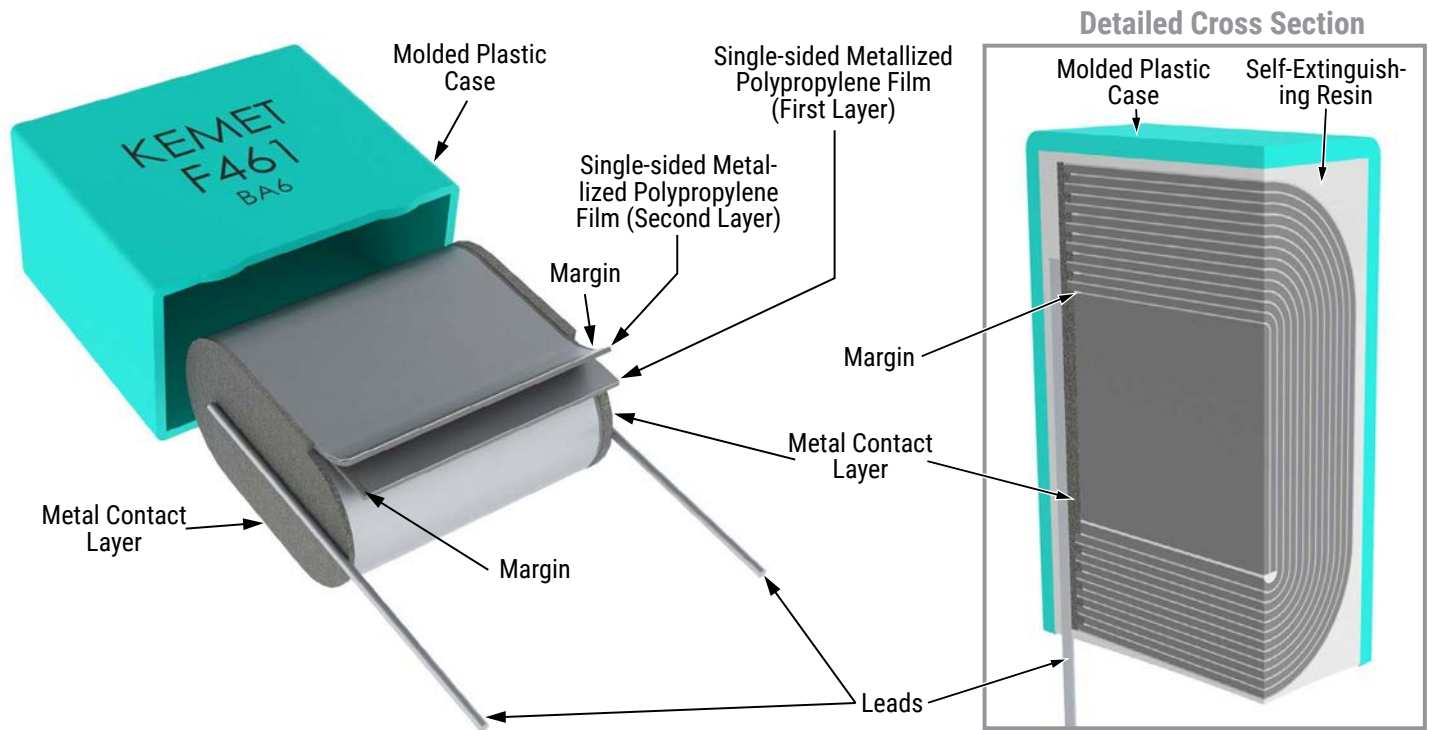
Temperature monitored inside the capacitor.

Selective Soldering Recommendations

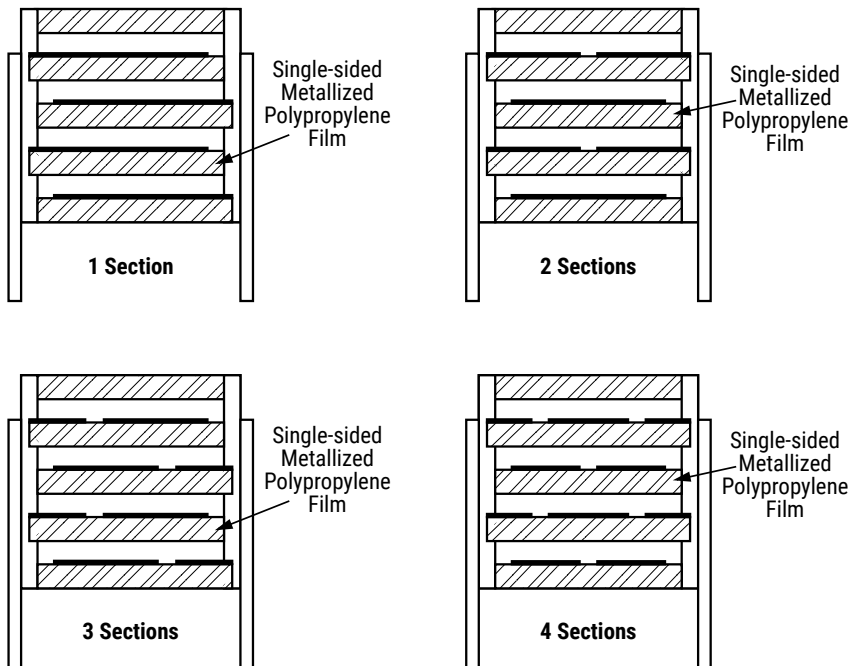
Selective dip soldering is a variation of reflow soldering. In this method, the printed circuit board with through-hole components to be soldered is preheated and transported over the solder bath as in normal flow soldering without touching the solder. When the board is over the bath, it is stopped and pre-designed solder pots are lifted from the bath with molten solder only at the places of the selected components, and pressed against the lower surface of the board to solder the components.

The temperature profile for selective soldering is similar to the double wave flow soldering outlined in this document, **however, instead of two baths, there is only one bath with a time from 3 to 10 seconds.** In selective soldering, the risk of overheating is greater than in double wave flow soldering, and great care must be taken so that the parts are not overheated.

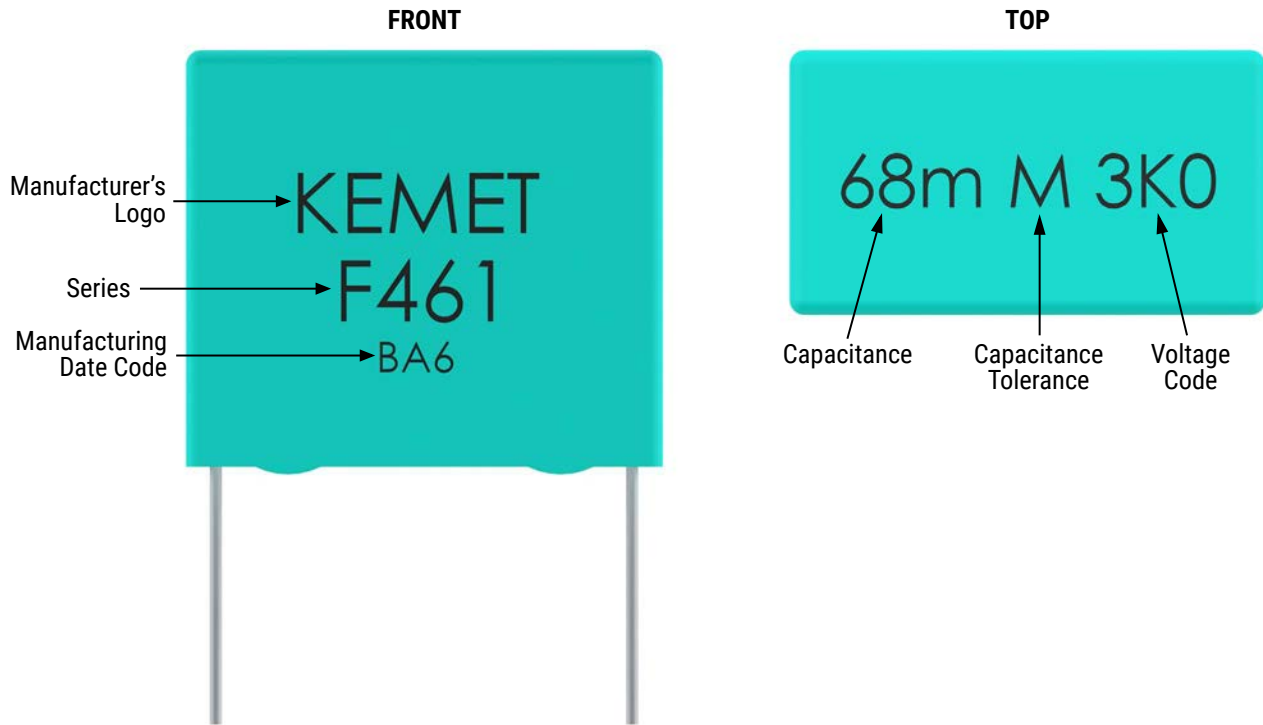
Construction



Winding Schemes



Marking



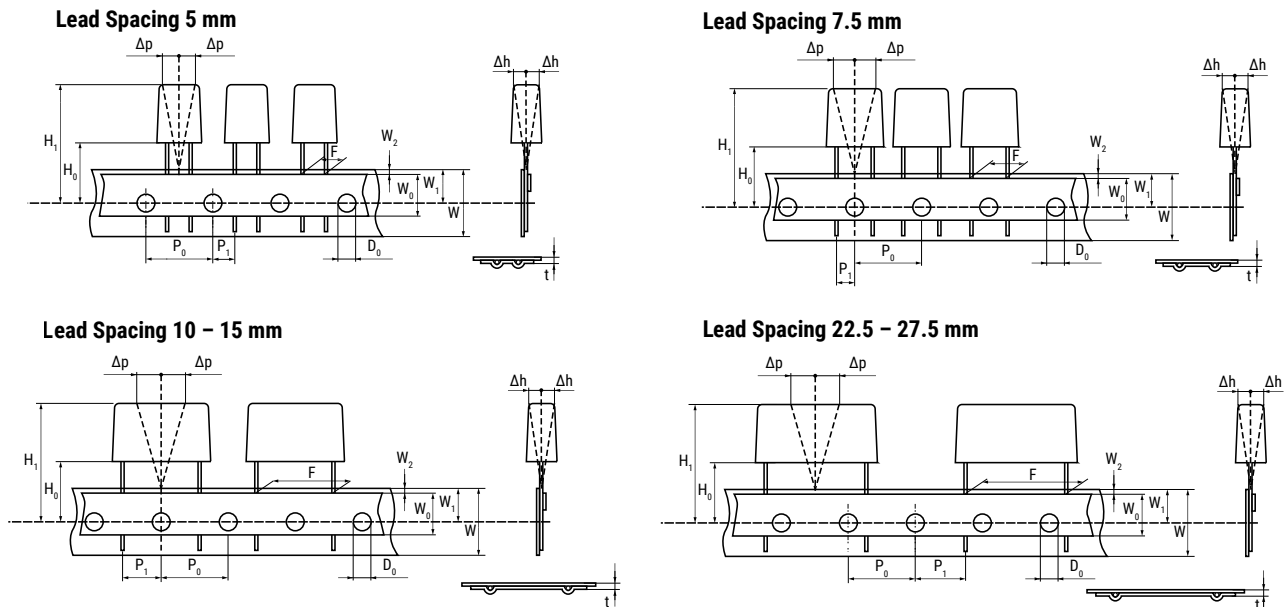
Packaging Quantities

| Size Code | Lead Spacing | Thickness (mm) | Height (mm) | Length (mm) | Bulk Short Leads | Bulk Long Leads | Standard Reel ø 355 mm | Large Reel ø 500 mm | Ammo | Pizza |
|-----------|--------------|----------------|-------------|-------------|------------------|-----------------|---------------------------|------------------------|-------|-------|
| JF | 5 | 2.5 | 6.5 | 7.2 | 3,000 | 4,000 | 2,500 | | 3,500 | |
| JG | | 3.5 | 7.5 | 7.2 | 2,000 | 3,000 | 1,800 | | 2,500 | |
| JM | | 4.5 | 9.5 | 7.2 | 1,500 | 2,000 | 1,400 | | 1,900 | |
| JQ | | 5.0 | 10.0 | 7.2 | 1,000 | 1,500 | 1,200 | | 1,700 | |
| JT | | 6 | 11 | 7.2 | 2,000 | 1,000 | 1,000 | | 1,400 | |
| JU | | 7.2 | 13 | 7.2 | 1,500 | 750 | 800 | | 1,150 | |
| KE | 7.5 | 2.5 | 6 | 10 | 2,000 | 3,000 | 2,500 | | 3,500 | |
| KF | | 3 | 8 | 10 | 1,500 | 1,750 | 2,100 | | 2,800 | |
| KG | | 4 | 8 | 10 | 2,000 | 1,500 | 1,500 | | 2,100 | |
| KJ | | 5 | 10.5 | 10 | 1,500 | 1,000 | 1,200 | | 1,600 | |
| KM | | 6 | 12 | 10.5 | 1,000 | 800 | 1,000 | | 1,350 | |
| KH | | 4 | 9 | 10 | 2,000 | 1,500 | 1,500 | | 2,100 | |
| AN | 10 | 3.5 | 9 | 13 | 2,200 | 3,200 | 850 | 1,700 | 1,150 | |
| AG | | 4 | 9 | 13 | 2,000 | 2,200 | 750 | 1,500 | 1,000 | |
| AK | | 5 | 11 | 13 | 1,300 | 2,000 | 600 | 1,250 | 800 | |
| AP | | 6 | 12 | 13 | 1,000 | 1,800 | 500 | 1,000 | 680 | |
| AO | | 7 | 17 | 13 | 600 | 900 | 450 | 900 | 580 | |
| AL | | 9.5 | 7.5 | 13 | 1,100 | 2,000 | 300 | 600 | 430 | |
| AE | | 4 | 8 | 13 | 2,000 | 2,200 | 750 | 1,500 | 1,000 | |
| BB | 15 | 4 | 10 | 18 | 1,300 | 1,500 | 750 | 1,500 | 1,000 | 1,411 |
| BC | | 5 | 11 | 18 | 1,000 | 1,250 | 600 | 1,250 | 800 | 1,139 |
| BE | | 5.5 | 12.5 | 18 | 800 | 1,100 | 550 | 1,100 | 750 | 1,020 |
| BG | | 6 | 12 | 18 | 1,750 | 1,000 | 500 | 1,000 | 680 | 935 |
| BK | | 7.5 | 13.5 | 18 | 1,000 | 800 | 350 | 800 | 500 | 748 |
| BI | | 6 | 17.5 | 18 | 1,000 | 800 | 500 | 1,000 | 680 | 935 |
| BP | | 8.5 | 14.5 | 18 | 1,000 | 650 | 300 | 700 | 440 | 663 |
| BT | | 9 | 12.5 | 18 | 1,000 | 700 | 270 | 650 | 410 | 629 |
| BO | | 7.5 | 18.5 | 18 | 900 | 600 | 350 | 800 | 500 | 748 |
| BS | | 10 | 16 | 18 | 750 | 550 | 300 | 600 | 380 | 561 |
| BR | | 13 | 12 | 18 | 750 | 520 | 200 | 480 | 280 | 425 |
| BY | | 11 | 19 | 18 | 450 | 400 | 250 | 500 | 340 | 510 |
| BA | | 8.5 | 12.5 | 18 | 1,000 | 650 | 300 | 700 | 440 | 663 |
| BZ | | 12 | 20 | 18 | 350 | 300 | 220 | 450 | 330 | 459 |

Packaging Quantities cont'd

| Size Code | Lead Spacing | Thickness (mm) | Height (mm) | Length (mm) | Bulk Short Leads | Bulk Long Leads | Standard Reel ø 355 mm | Large Reel ø 500 mm | Ammo | Pizza |
|-----------|--------------|----------------|-------------|-------------|------------------|-----------------|---------------------------|------------------------|------|-------|
| DB | 22.5 | 6 | 14.5 | 26 | 1,638 | 702 | 300 | 700 | 464 | 660 |
| DI | | 7 | 16 | 26 | 1,188 | 594 | 250 | 550 | 380 | 564 |
| DH | | 8.0 | 16.0 | 26 | 1,026 | 513 | 240 | 500 | 330 | 492 |
| DJ | | 8.5 | 17 | 26 | 972 | 486 | 250 | 450 | 280 | 468 |
| DM | | 9 | 18.5 | 26 | 918 | 459 | 200 | 400 | 300 | 444 |
| DO | | 10 | 18.5 | 26 | 810 | 405 | 160 | 350 | 235 | 396 |
| DP | | 11 | 20 | 26 | 756 | 378 | 190 | 350 | 217 | 360 |
| DU | | 13 | 22 | 26 | 540 | 324 | 150 | 300 | 200 | 300 |
| DY | | 15.5 | 24.5 | 26 | 450 | 270 | 120 | 250 | 170 | 252 |
| FB | 27.5 | 9.0 | 17.0 | 31.5 | 816 | 408 | | | | 370 |
| FC | | 11.0 | 20.0 | 31.5 | 672 | 336 | | | | 300 |
| FI | | 13.0 | 25.0 | 31.5 | 480 | 288 | | | | 250 |
| FN | | 14.0 | 28.0 | 31.5 | 352 | 176 | | | | 230 |
| FO | | 17.0 | 40.0 | 31.5 | 216 | 144 | | | | 190 |
| FR | | 17.5 | 28.0 | 31.5 | 256 | 128 | | | | 190 |
| FS | | 19.0 | 29.0 | 31.5 | 256 | 128 | | | | 170 |
| FY | | 22.0 | 37.0 | 31.5 | 168 | 112 | | | | 150 |
| FH | | 21.0 | 12.5 | 31.5 | 392 | 168 | | | | 150 |
| FQ | | 27.5 | 16.0 | 31.5 | 280 | 120 | | | | 120 |
| FT | 31.0 | 19.0 | 31.5 | 240 | 120 | | | | 100 | |
| RB | 37.5 | 11.0 | 22.0 | 41.0 | 420 | 252 | | | | 210 |
| RF | | 13.0 | 24.0 | 41.0 | 360 | 216 | | | | 175 |
| RH | | 15.0 | 26.0 | 41.0 | 300 | 180 | | | | 154 |
| RC | | 16.0 | 28.5 | 41.0 | 216 | 108 | | | | 140 |
| RD | | 19.0 | 32.0 | 41.0 | 192 | 96 | | | | 119 |
| RP | | 21.0 | 38.0 | 41.0 | 126 | 84 | | | | 105 |
| RO | | 24.0 | 44.0 | 41.0 | 108 | 72 | | | | 91 |
| RU | | 30.0 | 45.0 | 41.0 | 90 | 60 | | | | 77 |
| RV | | 24.0 | 15.0 | 41.0 | 252 | 108 | | | | 91 |
| RW | | 24.0 | 19.0 | 41.0 | 216 | 108 | | | | 91 |

Lead Taping & Packaging (IEC 60286-2)



Taping Specification

| Dimensions in mm | | | | | | | | | Standard IEC 60286-2 |
|---------------------------|---------------------|-------------------------------|------------------------|------------------------|------------------------|------------------------|------------------------|------------------------|-------------------------|
| Lead spacing | +6/-0.1 | F | 5 | 7.5 | 10 | 15 | 22.5 | 27.5 | F |
| Carrier tape width | +1/-0.5 | W | 18 | 18 | 18 | 18 | 18 | 18 | 18 ^{+1/-0.5} |
| Hold-down tape width | Minimum | W ₀ | 6 | 6 | 9 | 10 | 10 | 10 | |
| Position of sprocket hole | ±0.5 | W ₁ | 9 | 9 | 9 | 9 | 9 | 9 | 9 ^{+0.75/-0.5} |
| Distance between tapes | Maximum | W ₂ | 3 | 3 | 3 | 3 | 3 | 3 | 3 |
| Sprocket hole diameter | ±0.2 | D ₀ | 4 | 4 | 4 | 4 | 4 | 4 | 4 |
| Feed hole lead spacing | ±0.2 ⁽¹⁾ | P ₀ ⁽³⁾ | 12.7 | 12.7 | 12.7 | 12.7 | 12.7 | 12.7 | 12.7 |
| Distance lead – feed hole | ±0.7 | P ₁ | 3.85 | 3.75 | 7.7 | 5.2 | 7.8 | 5.3 | P ¹ |
| Deviation tape – plane | Maximum | Δp | 1.3 | 1.3 | 1.3 | 1.3 | 1.3 | 1.3 | 1.3 |
| Lateral deviation | ±2 | Δh | 2 | 2 | 2 | 2 | 2 | 2 | 2 |
| Total thickness | ±0.2 | t | 0.7 | 0.7 | 0.7 | 0.7 | 0.9 ^{MAX} | 0.9 ^{MAX} | 0.9 ^{MAX} |
| Sprocket hole/cap body | ±0.5 | H ₀ ⁽²⁾ | 18.5 ^{+/-0.5} | 18.5 ^{+/-0.5} | 18.5 ^{+/-0.5} | 18.5 ^{+/-0.5} | 18.5 ^{+/-0.5} | 18.5 ^{+/-0.5} | 18 ^{+2/-0} |

(1) Maximum cumulative feed hole error, 1 mm per 20 parts.

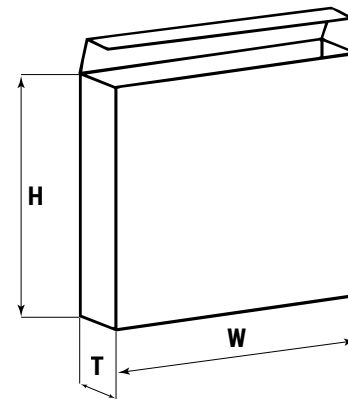
(2) 16.5 mm available on request.

(3) 15 mm available on request (F ≥ 10 mm).

Lead Taping & Packaging (IEC 60286-2) cont'd

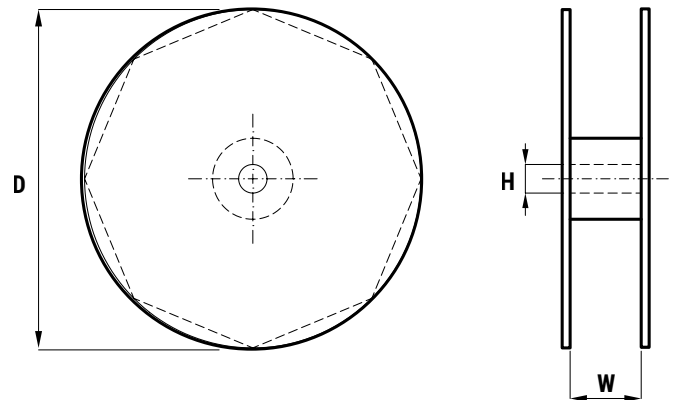
Ammo Specifications

| Series | Dimensions (mm) | | |
|------------------------|-----------------|-----|----|
| | H | W | T |
| R4x, R4x+R, R7x, RSB | 360 | 340 | 59 |
| F5A, F5B, F5D | | | |
| F6xx, F8xx | | | |
| PHExxx, PMExxx, PMRxxx | 330 | 330 | 50 |



Reel Specifications

| Series | Dimensions (mm) | | |
|------------------------|-----------------|----|-----------------|
| | D | H | W |
| R4x, R4x+R, R7x, RSB | 355 500 | 30 | 55 |
| F5A, F5B, F5D | | 25 | (maximum) |
| F6xx, F8xx | | | |
| PHExxx, PMExxx, PMRxxx | 360 500 | 30 | 46 (maximum) |



Manufacturing Date Code (IEC-60062)

| Y = Year, Z = Month | | | |
|---------------------|------|-----------|------|
| Year | Code | Month | Code |
| 2010 | A | January | 1 |
| 2011 | B | February | 2 |
| 2012 | C | March | 3 |
| 2013 | D | April | 4 |
| 2014 | E | May | 5 |
| 2015 | F | June | 6 |
| 2016 | H | July | 7 |
| 2017 | J | August | 8 |
| 2018 | K | September | 9 |
| 2019 | L | October | 0 |
| 2020 | M | November | N |
| 2021 | N | December | D |
| 2022 | P | | |
| 2023 | R | | |
| 2024 | S | | |
| 2025 | T | | |
| 2026 | U | | |
| 2027 | V | | |
| 2028 | W | | |
| 2029 | X | | |
| 2030 | A | | |

KEMET Electronics Corporation Sales Offices

For a complete list of our global sales offices, please visit www.kemet.com/sales.

Disclaimer

All product specifications, statements, information and data (collectively, the "Information") in this datasheet are subject to change. The customer is responsible for checking and verifying the extent to which the Information contained in this publication is applicable to an order at the time the order is placed.

All Information given herein is believed to be accurate and reliable, but it is presented without guarantee, warranty, or responsibility of any kind, expressed or implied.

Statements of suitability for certain applications are based on KEMET Electronics Corporation's ("KEMET") knowledge of typical operating conditions for such applications, but are not intended to constitute – and KEMET specifically disclaims – any warranty concerning suitability for a specific customer application or use. The Information is intended for use only by customers who have the requisite experience and capability to determine the correct products for their application. Any technical advice inferred from this Information or otherwise provided by KEMET with reference to the use of KEMET's products is given gratis, and KEMET assumes no obligation or liability for the advice given or results obtained.

Although KEMET designs and manufactures its products to the most stringent quality and safety standards, given the current state of the art, isolated component failures may still occur. Accordingly, customer applications which require a high degree of reliability or safety should employ suitable designs or other safeguards (such as installation of protective circuitry or redundancies) in order to ensure that the failure of an electrical component does not result in a risk of personal injury or property damage.

Although all product-related warnings, cautions and notes must be observed, the customer should not assume that all safety measures are indicated or that other measures may not be required.

KEMET is a registered trademark of KEMET Electronics Corporation.

单击下面可查看定价，库存，交付和生命周期等信息

[>>KEMET Electronics\(基美\)](#)