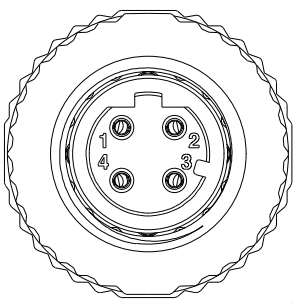
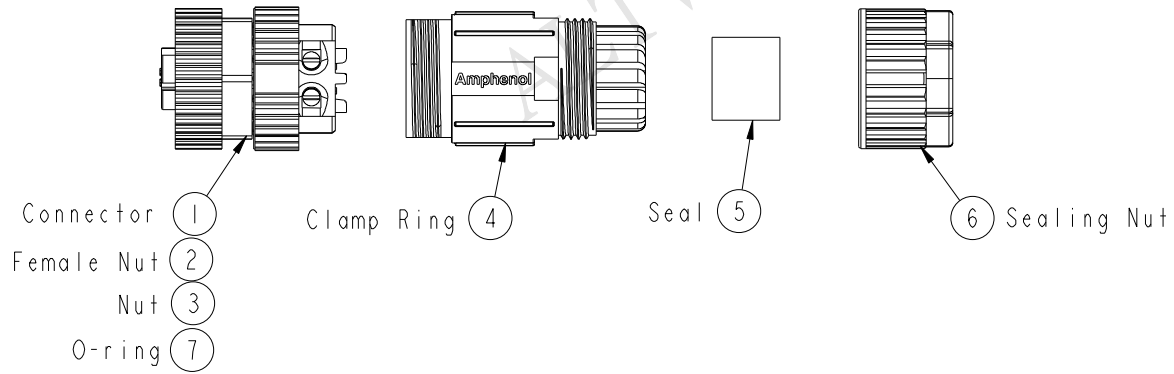


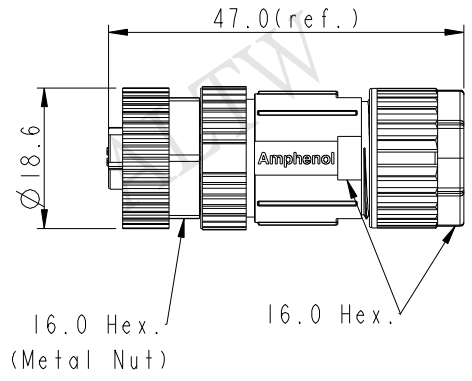
REV.	ECN NO.	DATE	SIGN	DESCRIPTION
A	Initial Release	2015/10/09	Mila	Change Rev.01 To Rev.A

ALTW
CONFIDENTIAL
2015-10-09
R&D DEPT.

ALTW
DCC. DEPT.
CONFIDENTIAL
2015.10.28
ISSUED



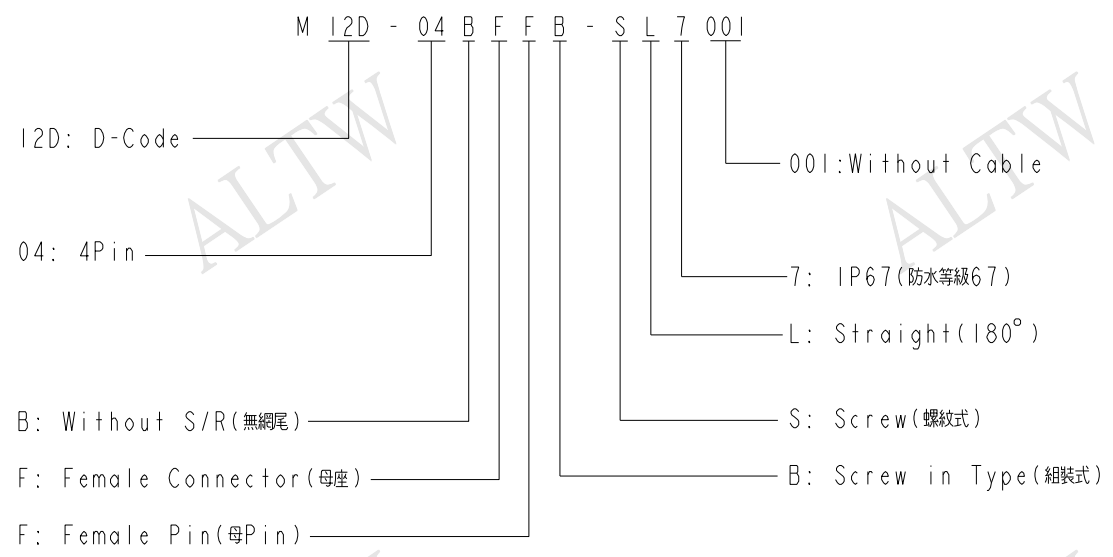
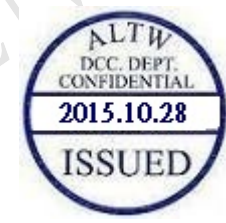
Pin Assignments
Front View



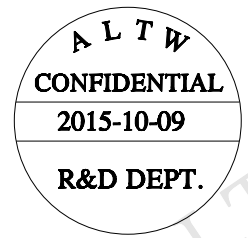
UNIT:mm TOLERANCE ±0.5mm	TITLE M12 D-Code Unshielded Assy 4PIN F Conn. F Pin		<h1>Amphenol LTW</h1> <p>安費諾亮泰企業股份有限公司</p>		ITEM NO. M12D-04BFFB-SL7001	DRAWN BY Mila	DATE 2015-10-09	
	SCALE 1:1	SIZE A4			SHEET 1 OF 2	DWG NO. M12D-04BFFB-SL7001	CHECKED BY Cary	DATE 2015-10-09
	REV. A	WC-REV. A.2			QC: Inspection item	CUSTOMER ALTW	APPROVED BY Jerry	DATE 2015-10-09

THIS DOCUMENT IS SUBJECT TO CHANGE WITHOUT NOTICE. IT IS CONFIDENTIAL AND A PROPERTY OF Amphenol LTW. DISCLOSURE TO THIRD PARTY HAS TO BE AUTHORIZED BY Amphenol LTW.

THIS DOCUMENT IS SUBJECT TO CHANGE WITHOUT NOTICE. IT IS CONFIDENTIAL AND A PROPERTY OF AMPHENOL LTW. DISCLOSURE TO THIRD PARTY HAS TO BE AUTHORIZED BY AMPHENOL LTW.



- Note:
- * CC Important Dimension To Check.
 - * Waterproof Rate: IP67
 - * Housing: Nylon, Black
 - * Female Pin: Copper Alloy, Gold Plated
 - * Female Nut: Zinc Alloy, Nickel Plated
 - * Nut: PBT+PC, Black
 - * O-Ring: Silicon, Grey
 - * Clamp Ring: Nylon, Black
 - * Sealing Nut: PBT+PC, Black
 - * Seal: Silicon, Grey
 - * Seal For Cable OD: $\varnothing 4.0\text{mm} \sim \varnothing 8.0\text{mm}$
 - * Screws for Wire connection recommended
tightening torque: 0.61~0.84 kgf.cm / 0.059~0.082 N.m
 - * Applicable Wire gauge (Stranded wire cross section)
0.14mm² (26AWG) ~ 0.82mm² (18AWG)
 - * Mating Recommended tightening torque:
3~4 kgf.cm / 0.29~0.39 N.m
 - * Sealing-Nut Recommended tightening torque:
4~6 kgf.cm / 0.39~0.59 N.m
 - * Detailed applicable wire specifications may vary
depending on the actual wire construction.



UNIT: mm		TITLE		ITEM NO		DRAWN BY		DATE
		M12 D-Code Unshielded Assy 4PIN F Conn. F Pin		M12D-04BFFB-SL7001		Mila		2015-10-09
		TOLERANCE		DWG NO		CHECKED BY		DATE
±0.5mm		SCALE 1:1		M12D-04BFFB-SL7001		Cary		2015-10-09
REV. A		SIZE A4		CUSTOMER		APPROVED BY		DATE
WC-REV. A.2		SHEET 2 OF 2		ALTW		Jerry		2015-10-09
CC : Inspection item								

Amphenol LTW
安費諾亮泰企業股份有限公司

单击下面可查看定价，库存，交付和生命周期等信息

[>>Amphenol\(安费诺\)](#)