

## 10V Input, 500mA, High Speed LDO Regulators

## ■ GENERAL DESCRIPTION

XC6231 series are highly precise, low noise, positive voltage LDO regulators which features high ripple rejection and low dropout. Output voltage is selectable within a range of 0.9V ~ 5.5V. The series is also compatible with low ESR ceramic capacitors which give added output stability. This stability can be maintained even during load fluctuations due to the excellent transient response of the series. The current limiter's foldback circuit operates as a short-circuit protection as well as the output current limiter for the output pin.

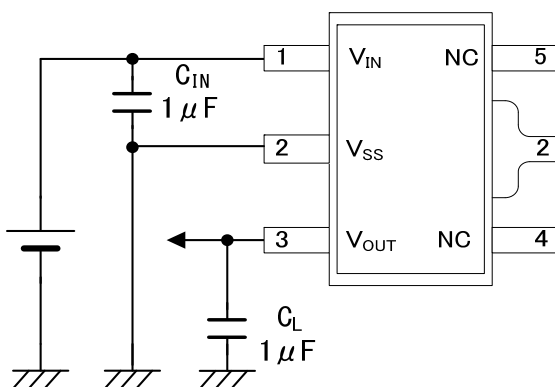
## ■ APPLICATIONS

- Reference voltage sources
- Multi-function power supplies

## ■ FEATURES

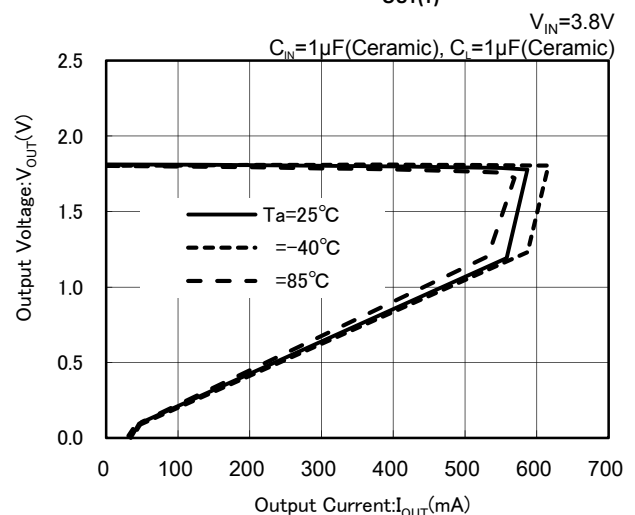
<b>Maximum Output Current</b>	: 500mA (600mA limit) ( $2.5V \leq V_{OUT} \leq 5.5V$ )
<b>Dropout Voltage</b>	: 200mV @ 100mA
<b>Operating Voltage Range</b>	: 2.0V ~ 10.0V
<b>Output Voltage Range</b>	: 0.9V ~ 5.5V (0.1V increments)
<b>Output Voltage Accuracy</b>	: $\pm 2\%$
<b>Temperature Coefficient</b>	: $\pm 100\text{ppm}/^\circ\text{C}$ (TYP.)
<b>Low Power Consumption</b>	: 35 $\mu\text{A}$ (TYP.)
<b>High Ripple Rejection</b>	: 65dB @ 10kHz
<b>Protection circuits</b>	: Current Limiting
<b>Low ESR Capacitor</b>	: Ceramic Capacitor Compatible
<b>Operating Ambient Temperature</b>	: -40 $^\circ\text{C}$ ~ +85 $^\circ\text{C}$
<b>Package</b>	: SOT-89-5
<b>Environmentally Friendly</b>	: EU RoHS Compliant, Pb Free

## ■ TYPICAL APPLICATION CIRCUITS

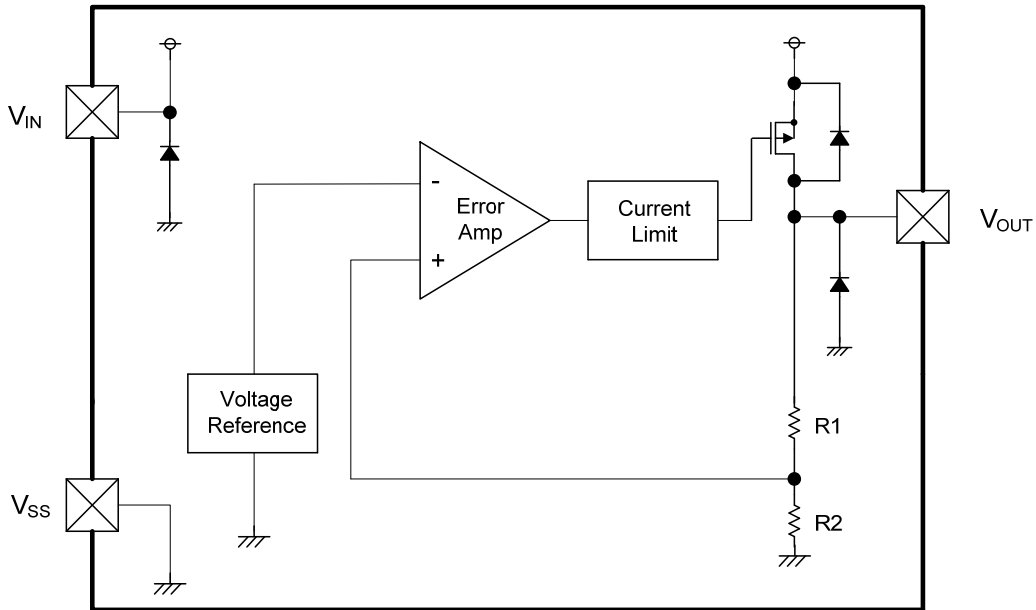


## ■ TYPICAL PERFORMANCE CHARACTERISTICS

### XC6231A182PR-G ( $V_{OUT(T)}=1.8V$ )



## ■ BLOCK DIAGRAM



\* Diodes inside the circuit are an ESD protection diode and parasitic diodes.

## ■ PRODUCT CLASSIFICATION

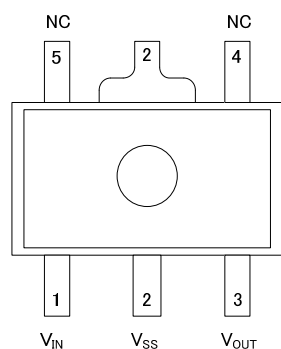
### ● Ordering Information

XC6231A①②③④⑤-⑥

DESIGNATOR	ITEM	SYMBOL	DESCRIPTION
①②	Output Voltage	09~55	0.9V~5.5V (100mV step)
③	Output Voltage Accuracy	2	±2%
④⑤-⑥ (*)	Package (Order Unit)	PR-G	SOT-89-5 (1,000/Reel)

(\*) The "-G" suffix denotes Halogen and Antimony free as well as being fully EU RoHS compliant.

## ■ PIN CONFIGURATION



## ■ PIN ASSIGNMENT

PIN NUMBER SOT-89-5	PIN NAME	FUNCTIONS
1	V <sub>IN</sub>	Power Supply Input
2	V <sub>SS</sub>	Ground
3	V <sub>OUT</sub>	Output
4,5	NC	No connection

## ■ ABSOLUTE MAXIMUM RATINGS

T<sub>a</sub>=25°C

PARAMETER	SYMBOL	RATINGS	UNITS
Input Voltage	V <sub>IN</sub>	-0.3~+12.0	V
Output Current	I <sub>OUT</sub>	700 <sup>(*)</sup>	mA
Output Voltage	V <sub>OUT</sub>	- 0.3 ~ V <sub>IN</sub> + 0.3 or +12.0 <sup>(**)</sup>	V
Power Dissipation	SOT-89-5 Pd	1000 (when mounted on board)	mW
Operating Ambient Temperature	T <sub>opr</sub>	-40~+85	°C
Storage Temperature	T <sub>stg</sub>	-55~+125	°C

All voltage ratings are relative to V<sub>SS</sub>

<sup>(\*)</sup> Use with I<sub>OUT</sub> less than Pd/(V<sub>IN</sub>-V<sub>OUT</sub>)

<sup>(\*\*)</sup> The maximum value should be either V<sub>IN</sub> + 0.3 or +12.0 in the lowest

## ELECTRICAL CHARACTERISTICS

Ta=25°C

PARAMETER	SYMBOL	CONDITIONS	MIN.	TYP.	MAX.	UNIT	CIRCUIT
Output Voltage	$V_{OUT(E)}$	$I_{OUT}=30mA$	$\times 0.98$	$V_{OUT(T)}$	$\times 1.02$	V	①
Maximum Output Current	$I_{OUTMAX}$	$V_{OUT(T)} \geq 2.5V, V_{IN}=V_{OUT(T)}+2.0V$	500	-	-	mA	①
		$V_{OUT(T)} < 2.5V, V_{IN}=V_{OUT(T)}+2.0V$	400	-	-		
Load Regulation	$\Delta V_{OUT}$	$1mA \leq I_{OUT} \leq 100mA$		15	50	mV	①
Dropout Voltage1	$V_{dif1}$	$I_{OUT}=30mA$	-	E-1		mV	①
Dropout Voltage2	$V_{dif2}$	$I_{OUT}=100mA$	-	E-2			
Supply Current	$I_{DD}$	$V_{IN}=V_{OUT(T)}+1.0V$ $V_{OUT(T)} \leq 0.90V \nmid V_{IN}=2.0V$	-	35	70	$\mu A$	②
Line Regulation	$\frac{\Delta V_{OUT}}{(\Delta V_{IN} \cdot V_{OUT})}$	$V_{OUT(T)}+1.0V \leq V_{IN} \leq 10.0V$ $V_{OUT(T)} \leq 0.90V, V_{IN} \geq 2.0V \sim$ $I_{OUT}=30mA,$ $V_{OUT(T)} \leq 1.75V, I_{OUT}=10mA$	-	0.01	0.20	%/V	①
Input Voltage	$V_{IN}$		2		10	V	-
Output Temperature Characteristics	$\frac{\Delta V_{OUT}}{(\Delta T_{OP} \cdot V_{OUT})}$	$I_{OUT}=30mA$ $-40^{\circ}C \leq T_{OP} \leq 85^{\circ}C$	-	$\pm 100$	-	ppm/ $^{\circ}C$	①
Power Supply Rejection Rate	PSRR	$V_{IN}=[V_{OUT(T)}+1.0]V+0.5V_{P-PAC}$ $V_{OUT(T)} \leq 1.25V$ $V_{IN}=2.25+0.5V_{P-PAC}$ $I_{OUT}=50mA, f=10kHz$	-	65	-	dB	③
Current Limit	$I_{lim}$	$V_{OUT(T)} \geq 2.5V, V_{IN}=V_{OUT(T)}+2.0V$	500	600	-	mA	①
		$V_{OUT(T)} < 2.5V, V_{IN}=V_{OUT(T)}+2.0V$	-	600	-		
Short Circuit Current	$I_{shot}$	$V_{IN}=V_{OUT(T)}+2.0V$ $V_{OUT} \leq 1.5, V_{IN}=3.5V$	-	30	-	mA	①

### NOTE

(<sup>1</sup>) Unless otherwise stated,  $V_{IN}=V_{ROUT(T)}+1.0V$ . however  $V_{OUT} \leq 0.9V : V_{IN}=2.0V$

(<sup>2</sup>)  $V_{OUT(T)}$ : Set output voltage value.

(<sup>3</sup>)  $V_{OUT(E)}$ : Effective output voltage value.

(The output voltage when an amply stabilized " $V_{OUT(T)}+1.0V$ " is provided at the  $V_{IN}$  pin while maintaining a certain  $I_{OUT}$  Value).

(<sup>4</sup>)  $V_{dif}$  is defined as follows:  $V_{dif}=\{V_{IN1}-V_{OUT1}\}$ .

•  $V_{OUT1}$ : 98% of output voltage when  $V_{IN}$  is input after stabilizing sufficiently at each  $I_{OUT}$ .

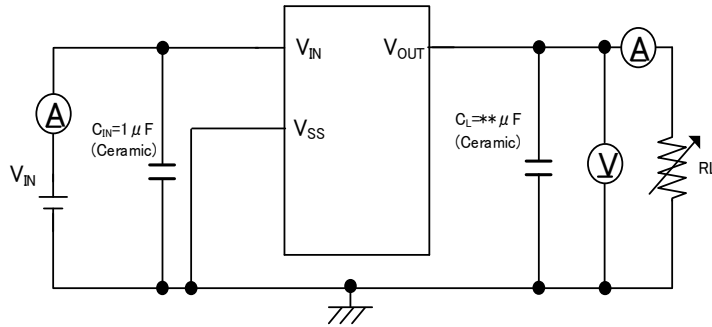
•  $V_{IN1}$ : As input voltage is gradually reduced, the input voltage at which  $V_{OUT1}$  is output.

## ■ ELECTRICAL CHARACTERISTICS

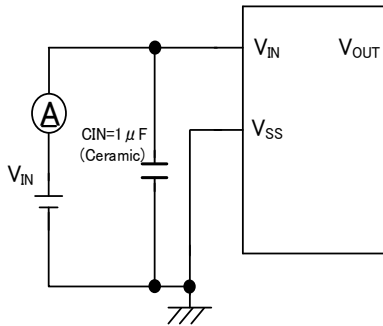
SYMBOL	E-0		E-1		E-2	
	Output Voltage (V)		Dropout Voltage1 $I_{OUT}=30\text{mA}$ (mV)		Dropout Voltage2 $I_{OUT}=100\text{mA}$ (mV)	
	$V_{OUT}$		$V_{dif1}$		$V_{dif2}$	
$V_{OUT(T)}$	MIN	MAX	TYP	MAX	TYP	MAX
0.90	0.870	0.930	1100	1110	1150	1200
1.00	0.970	1.030	1000	1010	1050	1100
1.10	1.070	1.130	900	910	950	1000
1.20	1.170	1.230	800	810	850	900
1.30	1.270	1.330	700	710	750	800
1.40	1.370	1.430	600	610	650	700
1.50	1.470	1.530	500	510	550	600
1.60	1.568	1.632	400	410	500	550
1.70	1.666	1.734	300	310	400	450
1.80	1.764	1.836	200	300	300	400
1.90	1.862	1.938	120	150	280	380
2.00	1.960	2.040	80	120	240	350
2.10	2.058	2.142	80	120	240	330
2.20	2.156	2.244	80	120	240	330
2.30	2.254	2.346	80	120	240	310
2.40	2.352	2.448	80	120	240	310
2.50	2.450	2.550	70	100	220	290
2.60	2.548	2.652	70	100	220	290
2.70	2.646	2.754	70	100	220	290
2.80	2.744	2.856	70	100	220	270
2.90	2.842	2.958	70	100	220	270
3.00	2.940	3.060	60	90	200	270
3.10	3.038	3.162	60	90	200	250
3.20	3.136	3.264	60	90	200	250
3.30	3.234	3.366	60	90	200	250
3.40	3.332	3.468	60	90	200	250
3.50	3.430	3.570	60	90	200	250
3.60	3.528	3.672	60	90	200	250
3.70	3.626	3.774	60	90	200	250
3.80	3.724	3.876	60	90	200	250
3.90	3.822	3.978	60	90	200	250
4.00	3.920	4.080	60	80	180	230
4.10	4.018	4.182	60	80	180	230
4.20	4.116	4.284	60	80	180	230
4.30	4.214	4.386	60	80	180	230
4.40	4.312	4.488	60	80	180	230
4.50	4.410	4.590	60	80	180	230
4.60	4.508	4.692	60	80	180	230
4.70	4.606	4.794	60	80	180	230
4.80	4.704	4.896	60	80	180	230
4.90	4.802	4.998	60	80	180	230
5.00	4.900	5.100	50	70	160	210
5.10	4.998	5.202	50	70	160	210
5.20	5.096	5.304	50	70	160	210
5.30	5.194	5.406	50	70	160	210
5.40	5.292	5.508	50	70	160	210
5.50	5.390	5.610	50	70	160	210

## TEST CIRCUITS

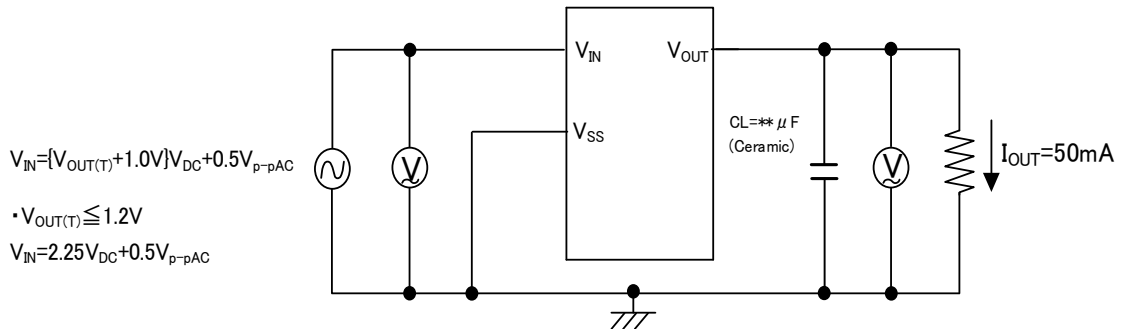
Circuit ①



Circuit ②



Circuit ③



\* Output Capacitor (C<sub>L</sub>) Corresponding Chart

V <sub>OUT</sub>	C <sub>L</sub>
0.9 ~ 1.2V	More than equal to 4.7μF
1.3 ~ 1.7V	More than equal to 2.2μF
1.8 ~ 5.5V	More than equal to 1.0μF

## ■ OPERATIONAL EXPLANATION

The XC6231 series controls the output voltage, divided by resistors R1 & R2 which are connected to the V<sub>OUT</sub> pin is compared with the internal reference voltage by the error amplifier.

The P-channel MOSFET connected to the V<sub>OUT</sub> pin, is then driven by the subsequent output signal. The output voltage at the V<sub>OUT</sub> pin is controlled & stabilized by negative feedback.

The current limit circuit and short protect circuit operate in relation to the level of output current.

### <Low ESR Capacitors>

With the XC6231series regulator, a stable output voltage is achievable even if low ESR capacitors are used, as a phase compensation circuit is built-in to the regulator. In order to ensure the effectiveness of the phase compensation, we suggest that an output capacitor (C<sub>L</sub>) be connected as close as possible, between the output pin (V<sub>OUT</sub>) and the V<sub>SS</sub> pin. Please use an output capacitor (C<sub>L</sub>) with a capacitance, based on the chart below. We also suggest an input capacitor (C<sub>IN</sub>) of 1μF : this should be connected between V<sub>IN</sub> and V<sub>SS</sub> in order to stabilize input power source.

Output Capacitor Corresponding Chart

V <sub>OUT</sub>	C <sub>L</sub>
0.9 ~ 1.2V	More than equal to 4.7μF
1.3 ~ 1.7V	More than equal to 2.2μF
1.8 ~ 5.5V	More than equal to 1.0μF

### <Current Limiter, Short-Circuit Protection>

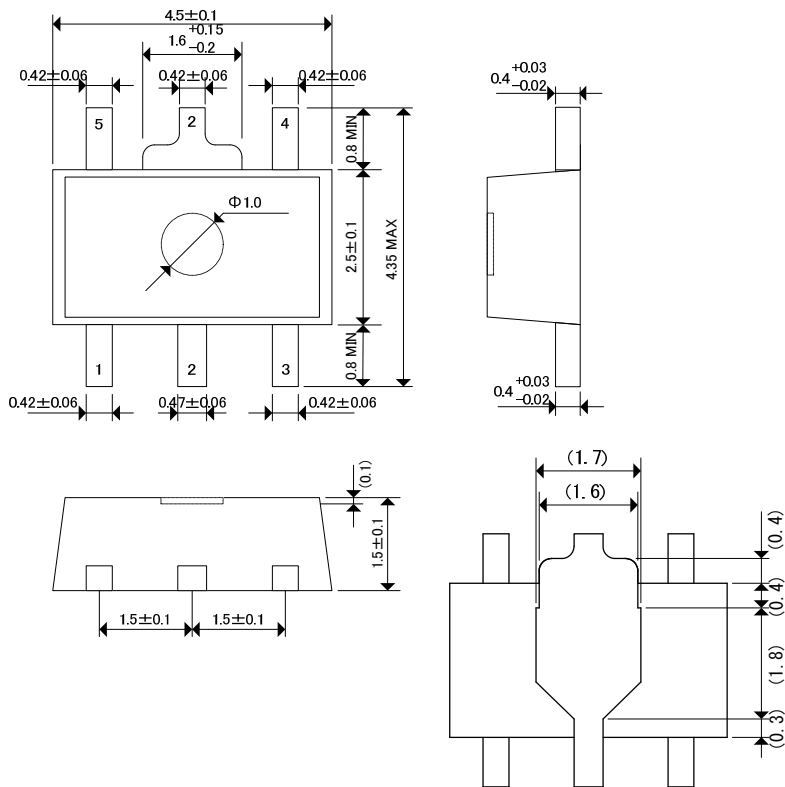
XC6231series regulator offers a combination of current limit and circuit protection by means of a built-in fixed current limiter circuit and a foldback circuit. When the load current reaches the current limit level, the fixed current limiter circuit operates and output voltage drops. As a result of this drop in output voltage, the foldback circuit operates, the output voltage drops further and output current decreases. When the output pin is shorted, a current of about 50mA flows.

## ■ NOTES ON USE

- 1) Please use this IC within the stated absolute maximum ratings. The IC is liable to malfunction should the ratings be exceeded.
- 2) Where wiring impedance is high, operations may become unstable due to noise and/or phase lag depending on output current. Please strengthen V<sub>IN</sub> and V<sub>SS</sub> wiring in particular.
- 3) Please wire the input capacitor (C<sub>IN</sub>) and the output capacitor (C<sub>L</sub>) as close to the IC as possible.  
Should rapid input fluctuation or load fluctuation occur, please increase the capacitor value such as C<sub>IN</sub> or C<sub>L</sub> to stabilize the operation.
- 4) Torex places an importance on improving our products and its reliability.  
However, by any possibility, we would request user fail-safe design and post-aging treatment on system or equipment.

## PACKAGING INFORMATION

● SOT-89-5 (unit: mm)



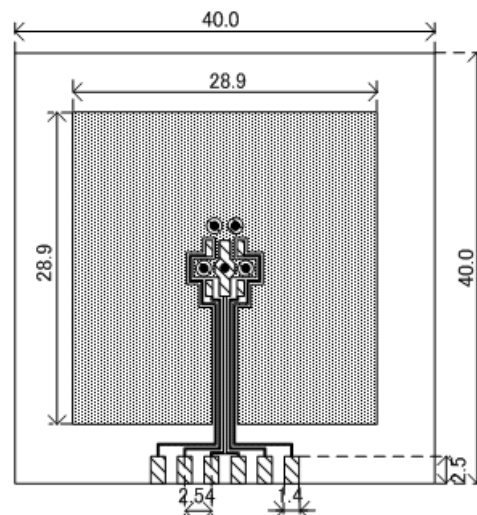


● **SOT-89-5 Power Dissipation**

Power dissipation data for the SOT-89-5 is shown in this page.  
The value of power dissipation varies with the mount board conditions.  
Please use this data as the reference data taken in the following condition.

1. Measurement Condition

- Condition: Mount on a board
- Ambient: Natural convection
- Soldering: Lead (Pb) free
- Board: Dimensions 40mm×40mm (1600mm<sup>2</sup> in one side)  
Copper (Cu) traces occupy 50% of the board area in top and back faces  
Package heat-sink is tied to the copper traces.
- Material: Glass Epoxy (FR-4)
- Thickness: 1.6mm
- Through-hole: 5 x 0.8 Diameter

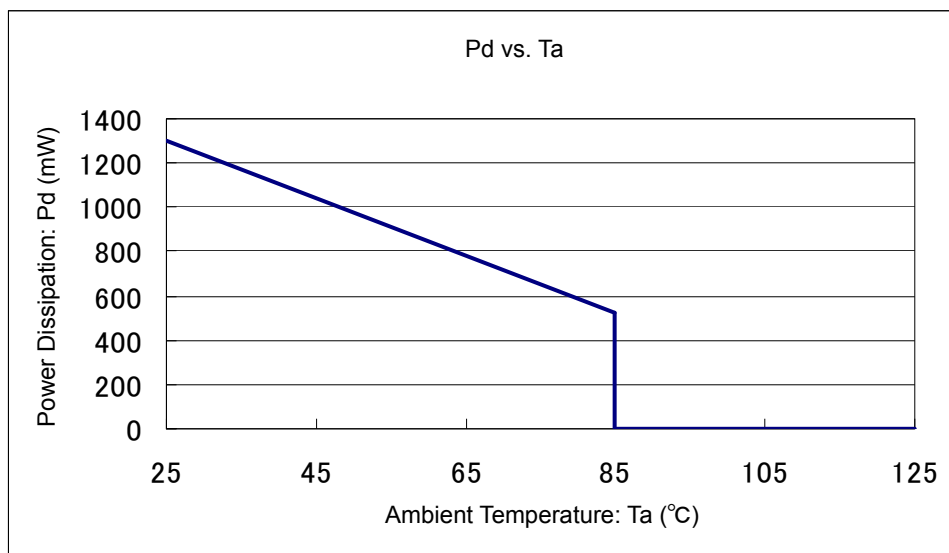


Evaluation Board (Unit: mm)

2. Power Dissipation vs. Ambient temperature

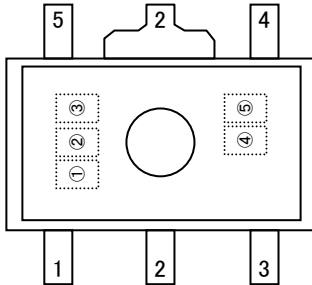
Board Mount (T<sub>jmax</sub>=125°C)

Ambient Temperature (°C)	Power Dissipation Pd (mW)	Thermal Resistance (°C/W)
25	1300	76.92
85	520	



## MARKING RULE

●SOT-89-5



① represents product series

MARK	PRODUCT SERIES
1	XC6231A****-G

② represents regulator type and output voltage range

MARK	OUTPUT VOLTAGE (V)	PRODUCT SERIES
H	0.9~3.8	XC6231A****-G
K	3.9~5.5	

③ represents output voltage

MARK	OUTPUT VOLTAGE (V)		MARK	OUTPUT VOLTAGE (V)	
0	0.9	3.9	F	2.4	5.4
1	1.0	4.0	H	2.5	5.5
2	1.1	4.1	K	2.6	-
3	1.2	4.2	L	2.7	-
4	1.3	4.3	M	2.8	-
5	1.4	4.4	N	2.9	-
6	1.5	4.5	P	3.0	-
7	1.6	4.6	R	3.1	-
8	1.7	4.7	S	3.2	-
8	1.8	4.8	T	3.3	-
A	1.9	4.9	U	3.4	-
B	2.0	5.0	V	3.5	-
C	2.1	5.1	X	3.6	-
D	2.2	5.2	Y	3.7	-
E	2.3	5.3	Z	3.8	-

④⑤ represents production lot number

01~09, 0A~0Z, 11~9Z, A1~A9, AA~AZ, B1~ZZ in order.

(G, I, J, O, Q, W excluded)

1. The products and product specifications contained herein are subject to change without notice to improve performance characteristics. Consult us, or our representatives before use, to confirm that the information in this datasheet is up to date.
2. We assume no responsibility for any infringement of patents, patent rights, or other rights arising from the use of any information and circuitry in this datasheet.
3. Please ensure suitable shipping controls (including fail-safe designs and aging protection) are in force for equipment employing products listed in this datasheet.
4. The products in this datasheet are not developed, designed, or approved for use with such equipment whose failure of malfunction can be reasonably expected to directly endanger the life of, or cause significant injury to, the user.  
(e.g. Atomic energy; aerospace; transport; combustion and associated safety equipment thereof.)
5. Please use the products listed in this datasheet within the specified ranges.  
Should you wish to use the products under conditions exceeding the specifications, please consult us or our representatives.
6. We assume no responsibility for damage or loss due to abnormal use.
7. All rights reserved. No part of this datasheet may be copied or reproduced without the prior permission of TOREX SEMICONDUCTOR LTD.

**TOREX SEMICONDUCTOR LTD.**

单击下面可查看定价，库存，交付和生命周期等信息

[>>Torex Semiconductor\(特瑞仕\)](#)