

HV

HV Series Connector and cable assembly



CONTENT

HV SERIES CONNECTOR AND CABLE ASSEMBLY

PRODUCT INTRODUCTION.....	2
HOW TO ORDER: RECEPTACLE.....	3
RECEPTACLE.....	4
ALTERNATE KEYING POSITIONS.....	7
HOW TO ORDER: PLUG	8
PLUG.....	9

HVBI

PRODUCT INTRODUCTION.....	11
HOW TO ORDER: RECEPTACLE.....	12
ALTERNATE KEYING POSITIONS.....	13
RECEPTACLE	14
HOW TO ORDER: PLUG	15
PLUG.....	16

RADSOK SOCKET CONTACT WITH CABLE SECTION AND RATING CURRENT	17
--	----

HVG

PRODUCT INTRODUCTION.....	21
HOW TO ORDER: RECEPTACLE.....	22
HOW TO ORDER: PLUG.....	23
ALTERNATE KEYING POSITIONS.....	24
RECEPTACLE & PLUG.....	25

HVS

PRODUCT INTRODUCTION.....	26
RECEPTACLE & PLUG.....	27
TOOLS	27

PRODUCT INTRODUCTION: HV SERIES



KEY FEATURES

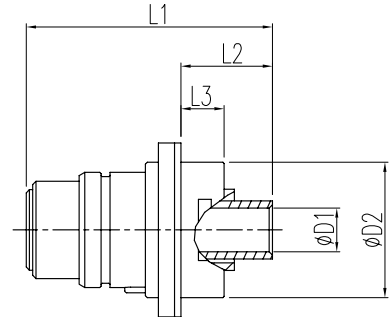
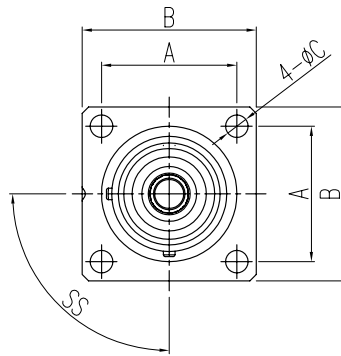
- Easy to install in a limited space
- Push-pull locking system with audible "click"
- EMI shielding
- No tool required for unmating
- Sealing, IP67 (mated)
- Shock and vibration resistant
- Multiple coding positions
- RoHS compliant

MECHANICAL	
Durability	> 500 mating cycles (up to 1000)
Wire range	16 to 70mm ²
Connection type	Crimping
ELECTRICAL	
Rated voltage	230V to 400V AC 400V to 690V DC
Rated current	250A Max
Insulator resistance	> 2000MΩ
Dielectric withstand voltage	2500V AC
Shielding	Available in shielded & unshielded variants
ENVIRONMENTAL	
Sealing	IP67 (mated)
Temperature range	-40°C to 125°C, short term to 150°C
Inflammability	UL94V0
Salt spray	48h, 96h
MATERIAL	
Shell	Aluminum alloy with zinc, nickel plating and anodic oxidation
Contacts	Copper alloy, silver plating
Insulator	Flame-retardant thermoplastic composition
Sealing	Rubber

HOW TO ORDER: RECEPTACLE

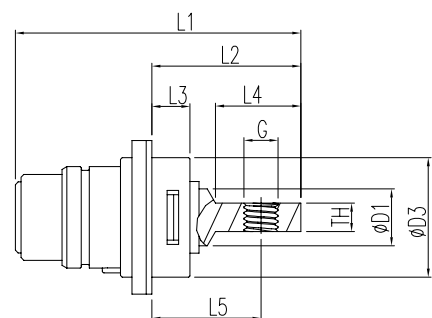
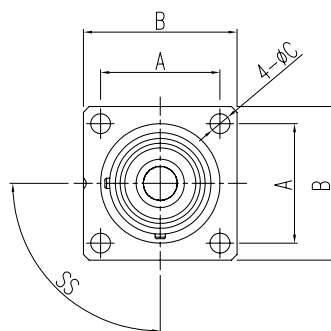
	HV	0	R6	1	F	C	X	R
Shell type: 0: Receptacle								
Insert size: R6: 6mm Radsok (Max current 120A) R8: 8mm Radsok (Max current 150A) R7: 8mm Radsok (Max current 180A) RA: 10mm Radsok (Max current 250A)								
Number of position: 1: 1 position receptacle								
Insert type: F: Socket (Recommended) M: Pin								
Termination: C: Crimp cable H: Copper bar T: Screw								
Alternate keying positions: X: 90° Y: 180° Z: 135° W: 120° U: 155° N: Normal								
R: Right angle socket, only for HV0RA-1FC*-R								

RECEPTACLE WITH CRIMP CABLE



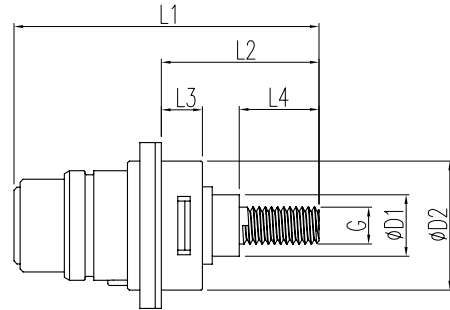
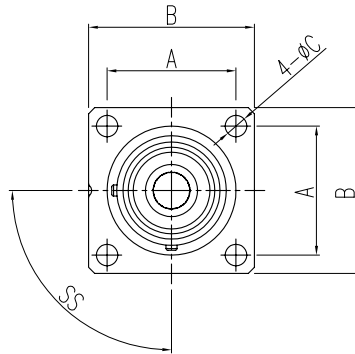
Part number	A	B	C	D1	D2	L1	L2	L3	Crimp cable (mm ²)
HV0R6-1FCX	21.0	27.0	3.5	7.2	21.0	38.2	14.2	6.7	16mm ² to 25mm ²
HV0R7-1FCX	24.6	33.0	4.5	10.5	26.0	75.4	37.7	12.0	35mm ² to 50mm ²
HV0R8-1FCX	23.0	31.0	4.5	9.0	23.0	53.7	20.5	5.5	25mm ² to 35mm ²
HV0RA-1FCX	29.4	36.5	4.5	12.5	32.0	63.4	26.2	13.0	50mm ² to 70mm ²

RECEPTACLE WITH COPPER BAR



Part number	A	B	C	D1	D3	L1	L2	L3	L4	L5	TH	G	Crimp cable (mm ²)
HV0R6-1FHX	21.0	27.0	3.5	10.0	21.0	50.2	26.2	6.7	15.0	19.2	5.0	M6 X 1	25mm ²
HV0R7-1FHX	24.6	33.0	4.5	15.0	26.0	73.9	36.2	12.1	25.0	28.2	4.0	8.5	50mm ²
HV0R8-1FHX	23.0	31.0	4.5	11.8	23.0	58.9	25.7	5.5	14.8	18.2	6.0	M6 X 1	35mm ²
HV0RA-1FHX	29.4	36.5	4.5	22.5	32.2	82.2	45.0	13.0	32.0	33.0	5.0	10.5	70mm ²

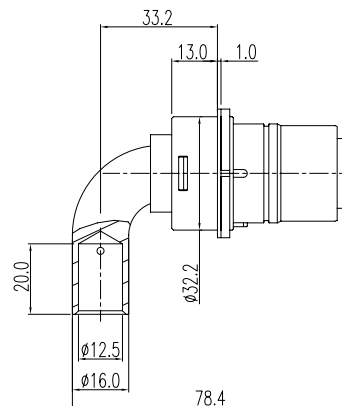
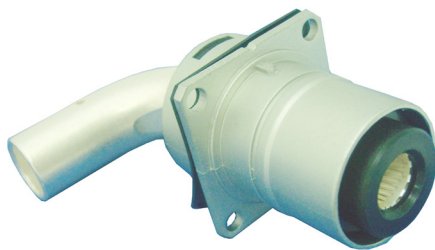
RECEPTACLE WITH SCREW



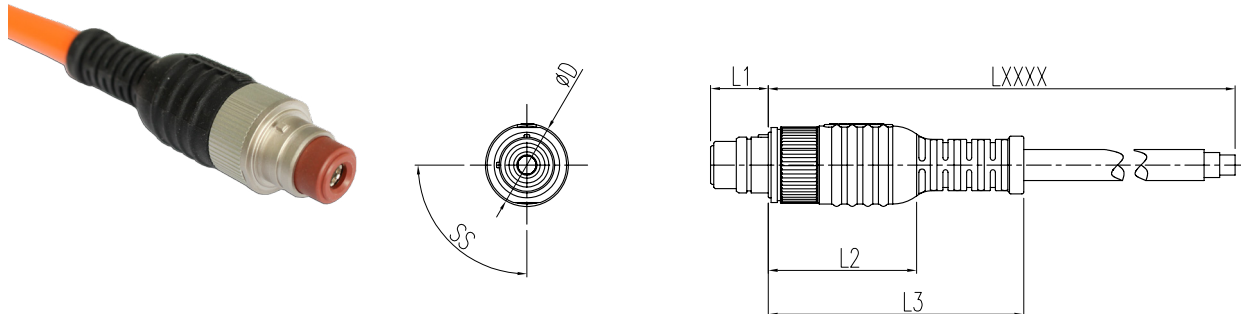
Part number	A	B	C	D1	D2	L1	L2	L3	L4	G
HV0R6-1FTX	21.0	27.0	3.5	10.0	21.0	49.7	25.7	6.7	13.0	M6x1
HV0R7-1FTX	24.6	33.0	4.5	15.0	26.0	71.7	34.0	12.1	12.5	M8.0x1.25
HV0R8-1FTX	23.0	31.0	4.5	11.8	23.0	63.7	30.5	5.5	16.5	M8.0x1.25
HV0RA-1FTX	29.4	36.5	4.5	22.5	32.2	80.2	43.0	13.0	20.0	M10x1.5

Receptacle with right angle socket: [HVORA-1FC*-R](#)

(Remark: custom orders are available)

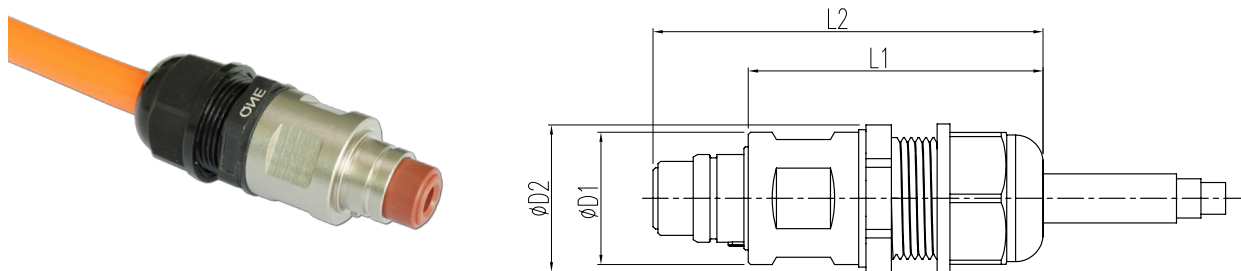


CABLE MOUNTED RECEPTACLE WITH CABLE (SHIELDED)



Part number	D	L1	L2	L3	LXXXX
HV1R6-1FCX-FG-...	26.0	18.5	47.4	72.4	Cable length (mm), custom orders are available
HV1R7-1FCX-FG-...	30.8	32.7	50.0	79.0	
HV1R8-1FCX-FG-...	27.5	27.2	47.3	72.3	
HV1RA-1FCX-FG-...	36.0	32.7	56.0	81.0	

CABLE MOUNTED RECEPTACLE (UNSHIELDED)



Part number	D1	D2	L1 REF	L2 REF	LXXXX
HV1R6-1FCX-PC-...	TBD				Cable length (mm), custom orders are available
HV1R7-1FCX-PC-...	TBD				
HV1R8-1FCX-PC-...	27.0	30.0	63.0	90.0	
HV1RA-1FCX-PC-...	TBD				

ALTERNATE KEYING POSITIONS

	RECEPTACLE	STRAIGHT PLUG	RIGHT ANGLE PLUG
X: 90°			
Y: 180°			
Z: 135°			
W: 120°			
U: 155°			
N: NORMAL			

REMARK

To avoid cross-plugging problems in applications requiring the use of more than one connector of the same size and arrangement, alternate keying positions are available.

The shell key is rotated counter-clockwise. The plug would be rotated clockwise the same number of degrees in respect to the shell key.

HOW TO ORDER: PLUG AND CABLE MOUNT RECEPTACLE

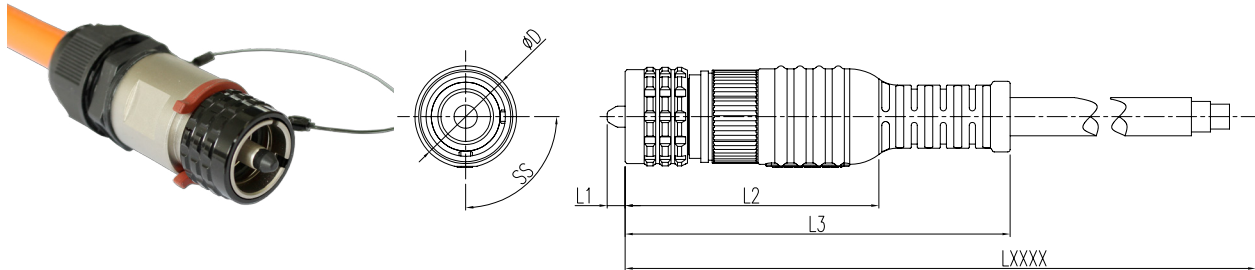
	HV	1	R6	1MCX	FG	25	LXXXX
Shell type:							
1: Cable mount receptacle							
7: Straight plug							
9: Right angle plug							
Insert size:							
R6: 6mm Radsok (Max current 120A)							
R8: 8mm Radsok (Max current 150A)							
R7: 8mm Radsok (Max current 180A)							
RA: 10mm Radsok (Max current 250A)							
Number of position:							
1: 1 position							
Type of insert:							
M: Male (Recommended)							
F: Female							
Contact tails:							
C: Crimp							
Alternate keying positions:							
X: 90°							
Y: 180°							
Z: 135°							
W: 120°							
U: 155°							
N: Normal							
Backshell type:							
FG: Flex grip (Shielded, backshell with glue type)							
PC: Plastic grand (Unshielded)							
Cable section:							
25: 25mm ² cable							
35: 35mm ² cable							
50: 50mm ² cable							
70: 70mm ² cable							
Cable length:							
LXXXX: Cable length (Unit in mm)							

Remarks:

To find the suitable cable for your model, please refer to the instructions below:

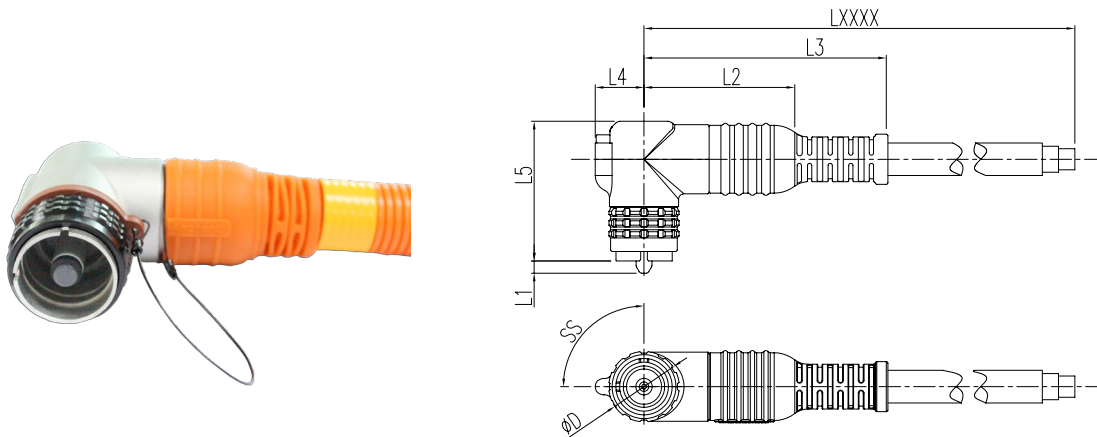
- R6: 25mm²
- R8: 35mm²
- R7: 50mm²
- RA: 70mm²

STRAIGHT PLUG (SHIELDED)



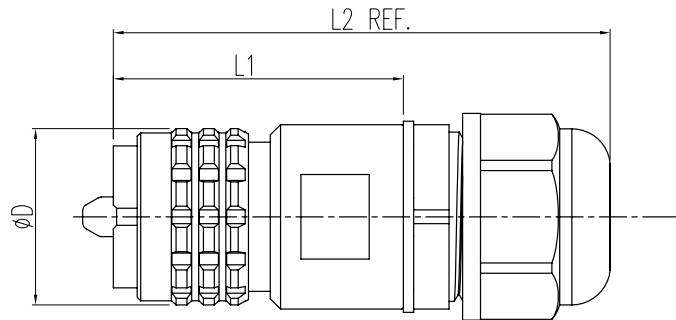
Part number	D	L1	L2	L3	LXXXX
HV7R6-1MCX-FG-...	26.0	4.5	66.5	91.5	Cable length (mm), custom orders are available
HV7R7-1MCX-FG-...	32.5	0.3	84.5	109.5	
HV7R8-1MCX-FG-...	27.5	1.7	74.1	99.1	
HV7RA-1MCX-FG-...	37.5	0	88.0	113.0	

RIGHT ANGLE PLUG (SHIELDED)



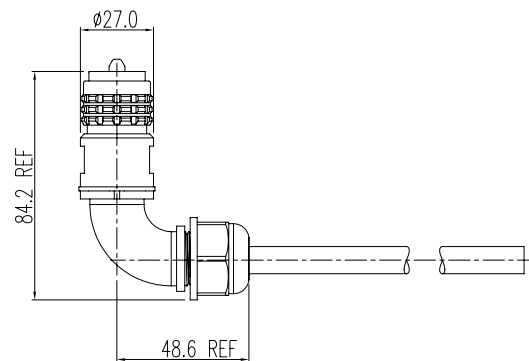
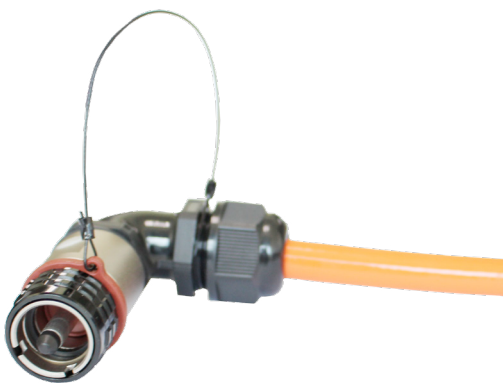
Part number	D	L1	L2	L3	L4	L5	LXXXX
HV9R6-1MCX-FG-...	26.0	5.5	55.5	80.5	18.0	51.5	Cable length (mm), custom orders are available
HV9R7-1MCX-FG-...	32.5	0	59.5	91.0	19.5	68.5	
HV9R8-1MCX-FG-...	27.5	4.3	60.3	90.0	18.5	59.0	
HV9RA-1MCX-FG-...	37.5	0	59.5	84.5	22.5	75.5	

STRAIGHT PLUG (UNSHIELDED)

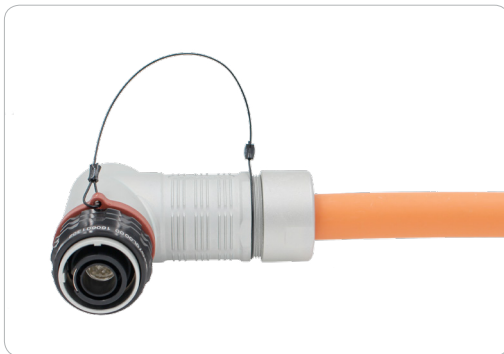


Part number	D	L1	L2 REF	LXXXX
HV7R6-1MCX-PC-...	27.0	42.5	80.0	Cable length (mm), custom orders are available
HV7R7-1MCX-PC-...	TBD			
HV7R8-1MCX-PC-...	29.0	55.0	90.0	
HV7RA-1MCX-PC-...	TBD			

RIGHT ANGLE PLUG (UNSHIELDED)



Part number	LXXXX
HV9R6-1MC**-PC-...	Cable length (mm), custom orders are available



KEY FEATURES

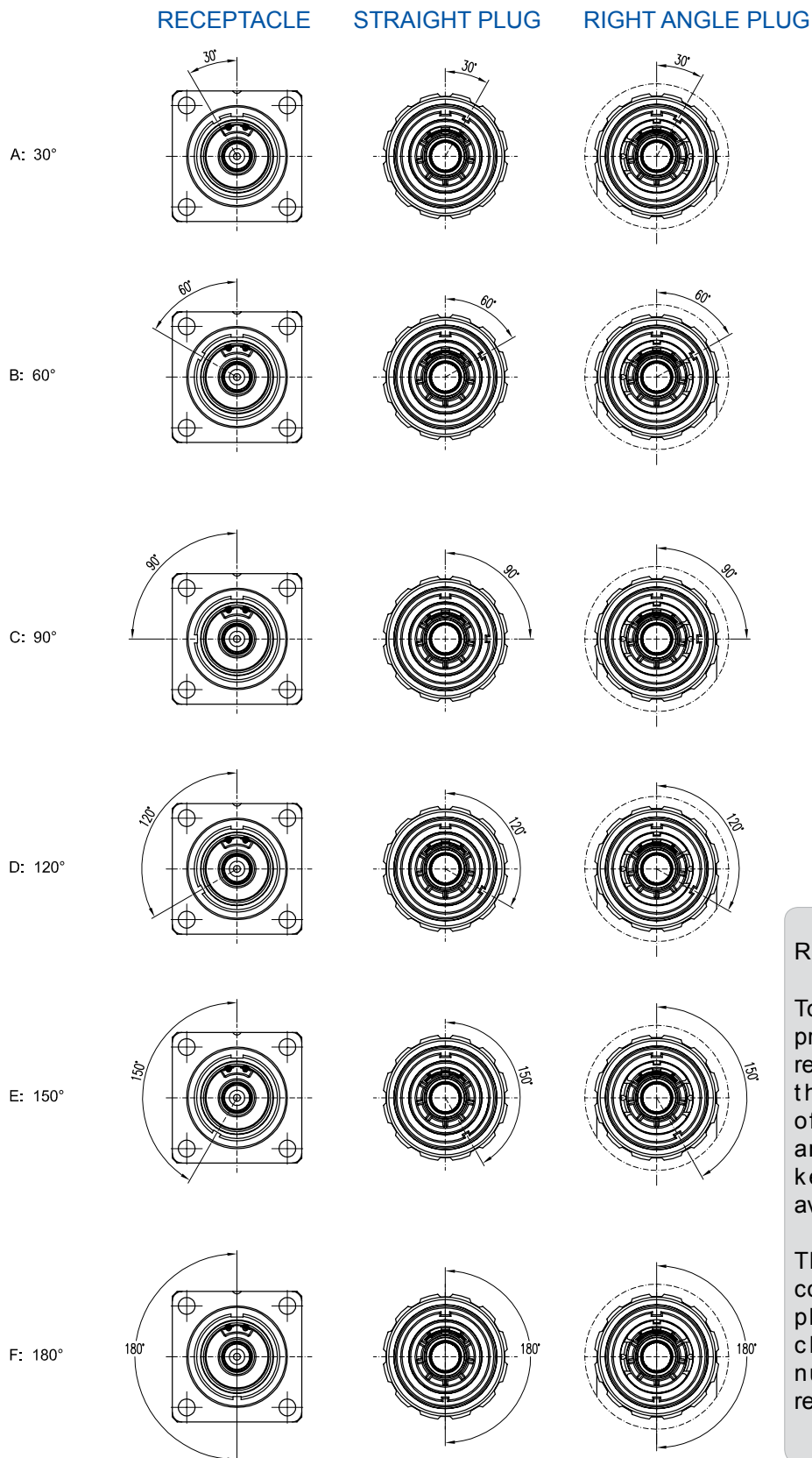
- High voltage with interlock
- Easy to install in a limited space
- Push-pull locking system with audible "click"
- EMI shielding
- No tool required for unmating
- Sealing, IP67 (mated)
- RoHS compliant
- Multiple coding positions

MECHANICAL	
Durability	> 200 mating cycles
Wire range	16 to 70mm ²
Connection type	Crimping
ELECTRICAL	
Rated voltage	1000V DC
Rated current	250A Max
Insulator resistance	> 2000MΩ
Dielectric withstand voltage	3000V AC
ENVIRONMENTAL	
Sealing	IP67 (mated)
Temperature range	-40°C to 125°C
Inflammability	UL94V0
Salt spray	48h, 96h
MATERIAL	
Shell	Aluminum alloy with zinc, nickel plating and anodic oxidation
Contacts	Copper alloy, silver plating
Insulator	Flame-retardant thermoplastic composition
Sealing	Rubber

HOW TO ORDER: RECEPTACLE

	HVBI	0	02R6	A	M	H	X	BK
Shell type: 0: Receptacle								
Insert size: 02R6: 6mm Radsok (Max current 120A) 03R8: 8mm Radsok (Max current 180A) 05R10: 10mm Radsok (Max current 250A)								
HVIL: A: With HVIL B: Without HVIL								
Insert type: M: Pin								
Termination: H: Copper bar T: Screw								
Alternate keying positions: A: 30° B: 60° C: 90° D: 120° E: 150° F: 180°								
Color of locking nut: BK: Black RD: Red YL: Yellow GR: Green BL: Blue								

ALTERNATE KEYING POSITIONS

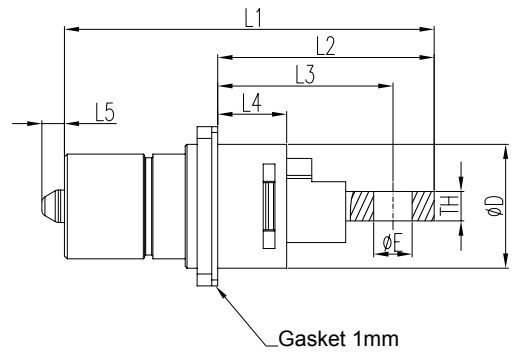
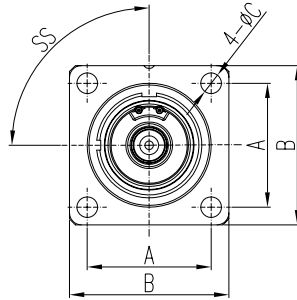


REMARK

To avoid cross-plugging problems in applications requiring the use of more than one connector of the same size and arrangement, alternate keying positions are available.

The shell key is rotated counter-clockwise. The plug would be rotated clockwise the same number of degrees in respect to the shell key.

RECEPTACLE WITH COPPER BAR

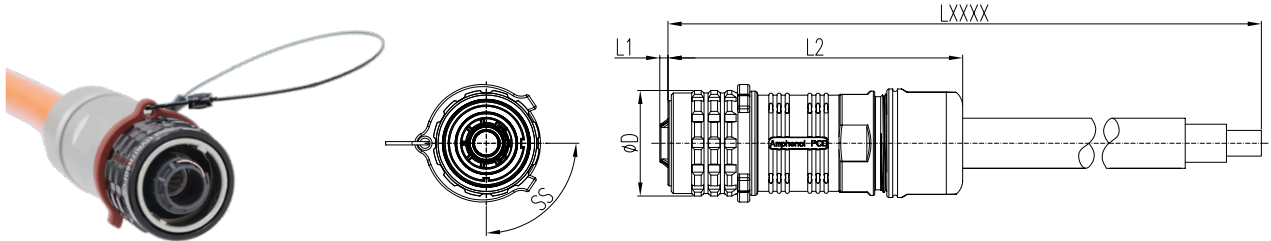


Part number	A	B	C	D	E	L1	L2	L3	L4	L5	TH
HVBI-0-02R6-XMHX	21.0	27.0	3.5	21.0	6.5	62.7	37.7	30.7	12.7	3.8	5.0
HVBI-0-03R8-XMHX	23.0	31.0	4.5	23.0	8.5	76.7	43.7	35.7	15.9	/	5.0
HVBI-0-05R10-XMHX	24.6	33.0	4.5	26.0	10.5	85.9	52.6	40.6	18.4	0.8	6.0

HOW TO ORDER: PLUG

	HVBI	9	02R6	A	F	C	A	BK	FG	25	LXXXX
Shell type:											
7: Straight plug											
9: Right angle plug											
Insert size:											
02R6: 6mm Radsok (Max current 120A)											
03R8: 8mm Radsok (Max current 180A)											
05R10: 10mm Radsok (Max current 250A)											
HVIL:											
A: With HVIL											
B: Without HVIL											
Insert type:											
M: Pin											
Contact type:											
C: Crimp											
Alternate keying positions:											
A: 30°											
B: 60°											
C: 90°											
D: 120°											
E: 150°											
F: 180°											
Color of locking nut:											
BK: Black											
RD: Red											
YL: Yellow											
GR: Green											
BL: Blue											
FG: Shielded											
PC: Unshielded											
Cable section:											
16: 16mm ² cable											
25: 25mm ² cable											
5: 35mm ² cable											
50: 50mm ² cable											
70: 70mm ² cable											
Cable length:											
LXXXX: Cable length (Unit in mm)											

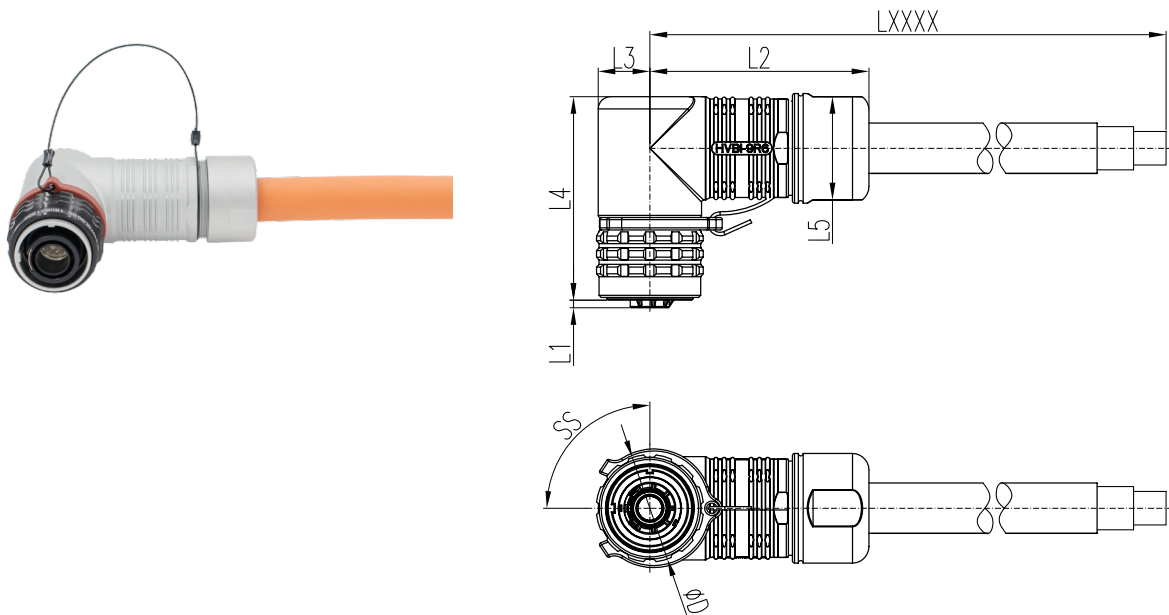
STRAIGHT PLUG



Part number	D	L1	L2	LXXXX	Cable section(mm ²)
HVBI-7-02R6-XFC-XXXX-FG / PC....	26.0	2.0	70	Cable length (mm), custom orders are available	16mm ² to 25mm ²
HVBI-7-03R8-XFC-XXXX-FG / PC....	27.5	2.0	82		35mm ² to 50mm ²
HVBI-7-05R10-XFC-XXXX-FG / PC...	32.5	1.5	92		50mm ² to 70mm ²

Notes: **FG**: Shielded type **PC**: Unshielded type

RIGHT ANGLE PLUG



Part number	D	L1	L2	L3	L4	L5	LXXXX	Cable section (mm ²)
HVBI-9-02R6-XFC-XXXX-FG / PC....	26.0	1.8	53.0	12.5	49.3	25.0	Cable length (mm), custom orders are available	16mm ² to 25mm ²
HVBI-9-03R8-XFC-XXXX-FG / PC....	27.5	2.0	62.0	13.9	58.5	27.3		35mm ² to 50mm ²
HVBI-9-05R10-XFC-XXXX-FG / PC...	32.5	1.5	69.5	16.0	64.0	31.5		50mm ² to 70mm ²

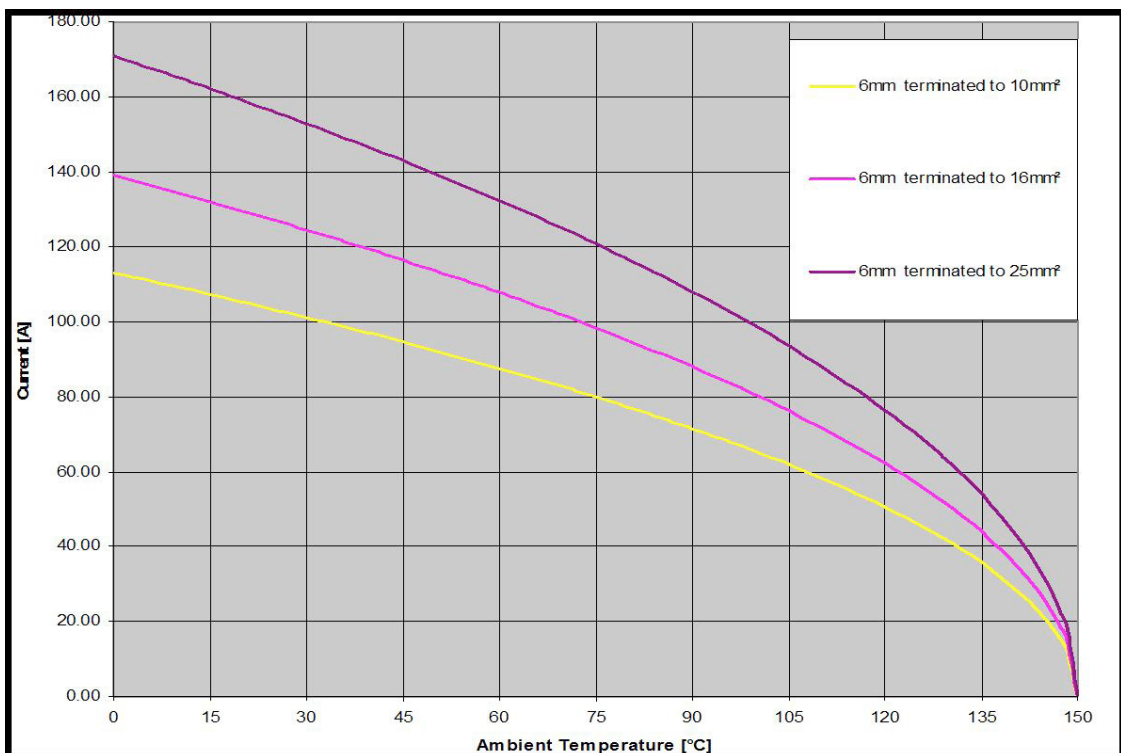
Notes: **FG**: Shielded type **PC**: Unshielded type

RADSOK SOCKET CONTACT WITH CABLE SECTION AND RATING CURRENT

6mm Radsok socket: 16mm² to 25mm²

Rated current

Insert size	Cable	Rated current
R6	6mm Radsok (16mm ² cable)	80A
R6	6mm Radsok (20mm ² cable)	100A
R6	6mm Radsok (25mm ² cable)	120A



Remark:

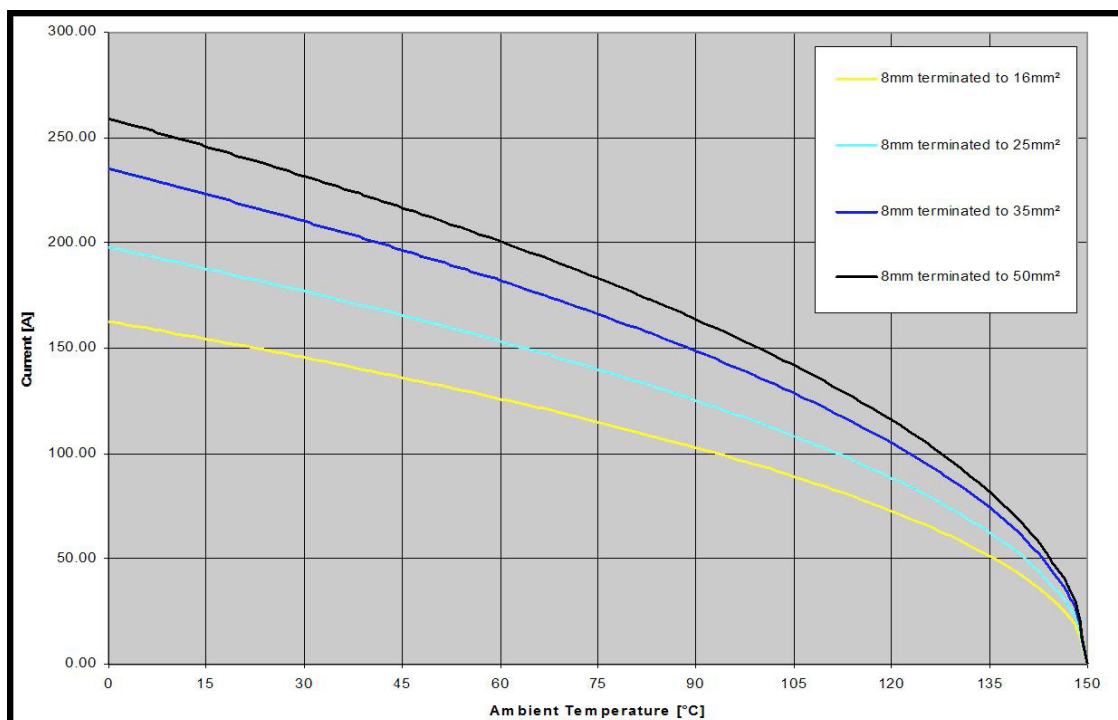
The given electrical values correspond to a single contact. With the addition of a housing, an increased number of poles or other modifications the values must be adjusted downwards accordingly.

Technical data	HV	HVBI
Rated voltage	400V DC	1000V DC
Operating temperature	-40°C to 125°C	
Dielectric withstanding voltage	2500V AC	
Insulation resistance	2000MΩ (25°C)	
Durability	200 cycles	
Shielding	Upon request	
Sealing	IP67 (mated)	

8MM RADSOK SOCKET: 25MM² TO 35MM²

Rated current

Insert size	Cable	Rated current
R8	8mm Radsok (35mm ² cable)	150A
R8	8mm Radsok (25mm ² cable)	120A



Remark:

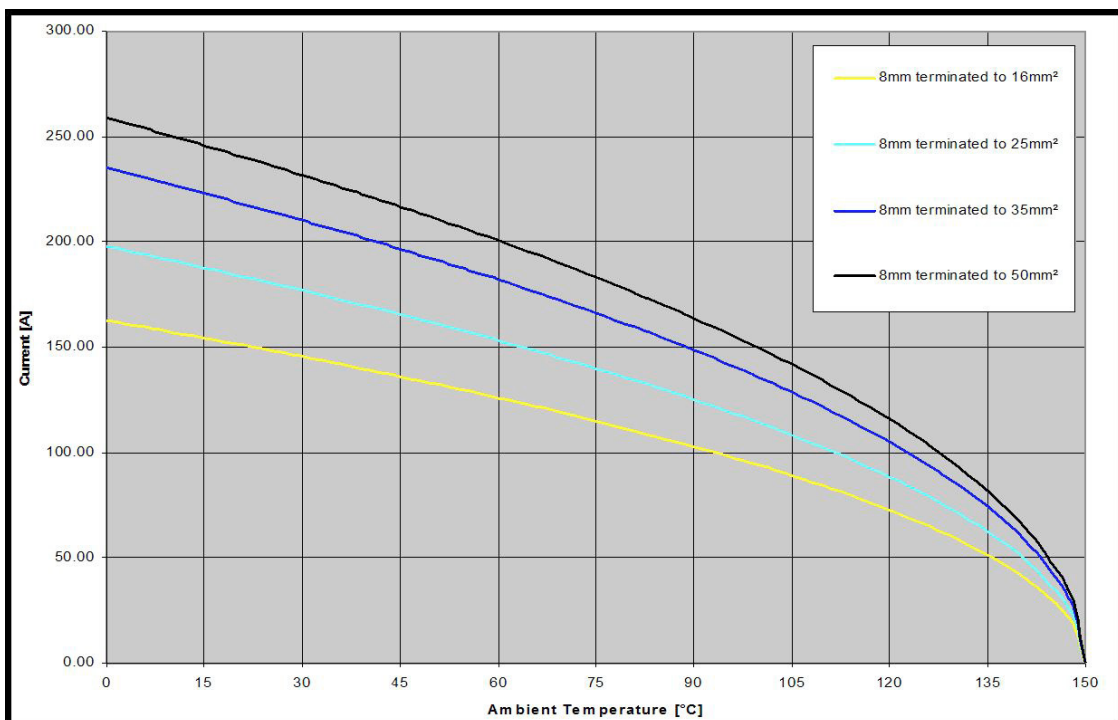
The given electrical values correspond to a single contact. With the addition of a housing, an increased number of poles or other modifications the values must be adjusted downwards accordingly.

Technical data	HV	HVBI
Rated voltage	400V DC	1000V DC
Operating temperature	-40°C to 125°C	
Dielectric withstanding voltage	2500V AC	
Insulation resistance	2000MΩ (25°C)	
Durability	200 cycles	
Shielding	Upon request	
Sealing	IP67 (mated)	

8MM RADSOK SOCKET: 35MM² TO 50MM²

Rated current

Insert size	Cable	Rated current
R7	8mm Radsok (50mm ² cable)	180A
R7	8mm Radsok (35mm ² cable)	150A



Remark:

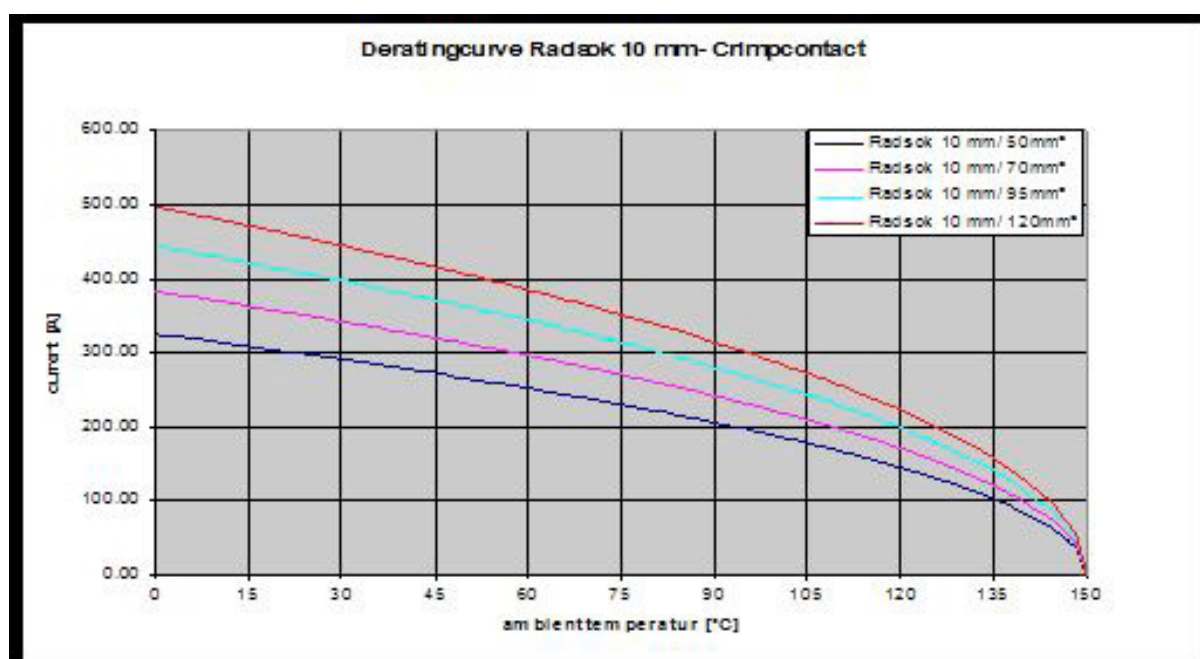
The given electrical values correspond to a single contact. With the addition of a housing, an increased number of poles or other modifications the values must be adjusted downwards accordingly.

Technical data	HV	HVBI
Rated voltage	400V DC	1000V DC
Operating temperature	-40°C to 125°C	
Dielectric withstanding voltage	2500V AC	
Insulation resistance	2000MΩ (25°C)	
Durability	200 cycles	
Shielding	Upon request	
Sealing	IP67 (mated)	

10MM RADSOK SOCKET: 70MM²

Rated current

Insert size	Cable	Rated current
RA	10mm Radsok (70mm ² cable)	250A
RA	10mm Radsok (50mm ² cable)	180A



Remark:

The given electrical values correspond to a single contact. With the addition of a housing, an increased number of poles or other modifications the values must be adjusted downwards accordingly.

Technical data	HV	HVBI
Rated voltage	400V DC	1000V DC
Operating temperature	-40°C to 125°C	
Dielectric withstanding voltage	2500V AC	
Insulation resistance	2000MΩ (25°C)	
Durability	200 cycles	
Shielding	Upon request	
Sealing	IP67 (mated)	

HVG SERIES



KEY FEATURES

- Easy to install in a limited space
- Push-pull locking system with audible "click"
- EMI shielding
- No tool required to unmate
- Sealing, IP67 (mated)
- Multiple coding positions
- RoHS compliant

APPLICATIONS	
PHEV air-conditioner	
DCDC	
PTC	
Power distribution boxes	
MECHANICAL	
Durability	> 500 mating cycles (up to 1000)
Connection type	Crimping
ELECTRICAL	
Rated voltage	400V AC / 690V DC
Rated current	50A Max
Insulator resistance	> 2000MΩ
Dielectric withstand voltage	3000V AC
Shielding	Yes
ENVIRONMENTAL	
Sealing	IP67 (mated)
Temperature range	-40°C to 125°C, short term to 150°C
Inflammability	UL94V0
Salt spray	48h, 96h
MATERIAL	
Shell	Aluminum alloy with zinc, nickel plating and anodic oxidation
Contacts	Copper alloy, silver plating
Insulator	Flame-retardant thermoplastic composition
Sealing	Rubber

HOW TO ORDER

RECEPTACLE

HVG	1S	402	M	C	X
Product type: 1S: Flange receptacle					
Insert arrangement: 402: 2 X (23A to 40A) + 2 X 7.5A 403: 3 X (23A to 40A) + 2 X 7.5A 492: 2 X (40A to 50A) + 2 X 7.5A					
Contact type: M: Male contact F: Female contact					
C: Crimp version					
Alternate keying positions: /: Normal X: 270° Y: 315° Z: 90° W: 45°					

CONTACT

HVG	30	M	4
Contact sizes: 30: 3.0mm 20: # 20			
Contact type: M: Male contact F: Female contact			
Crimp cable diameter: 1: 0.5 to 1.0mm ² 2: 2.5mm ² 4: 4mm ² to 6mm ² 6: 6mm ² to 10mm ²			

HOW TO ORDER

PLUG

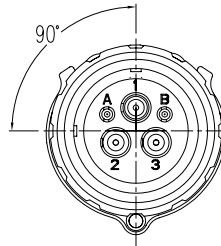
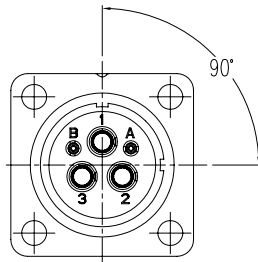
	HVG	1P	402	M	C	X	E	2A	2	LXXXX	H6
Product type: 1P: Plug											
Insert arrangement: 402: 2 X (23A to 40A) + 2 X 7.5A 403: 3 X (23A to 40A) + 2 X 7.5A 492: 2 X (40A to 50A) + 2 X 7.5A											
Contact type: M: Male contact F: Female contact											
Contact type: C: Crimp version											
Alternate keying positions: /: Standard position X: 270° Y: 315° Z: 90° W: 45°											
Gland type: /: Straight metal gland E: Right angle plastic gland D: Straight plastic gland											
Cable type: 1A: 1 single shielded cable 1B: 1 single unshielded cable 2A: 2 core shielded cable 3A: 3 core shielded cable 2B: 2 core unshielded cable 3B: 3 core unshielded cable 2D: 2 single unshielded cable 3D: 3 single unshielded cable											
Cable section: 1: 1.5mm ² 2: 2.5mm ² 4: 4mm ² 6: 6mm ² 10: 10mm ²											
Cable length: LXXXX: Cable length (Unit in mm)											
Termination: H6: Through hole M6 H8: Through hole M8											

ALTERNATE KEYING POSITIONS

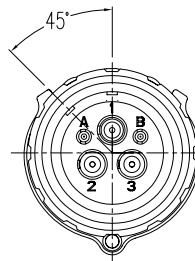
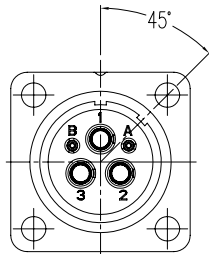
RECEPTACLE

STRAIGHT PLUG

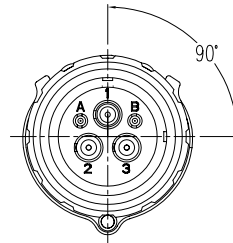
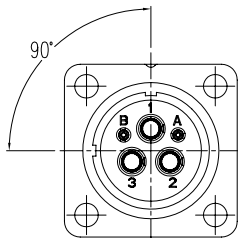
X: 270°



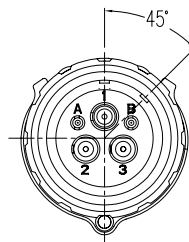
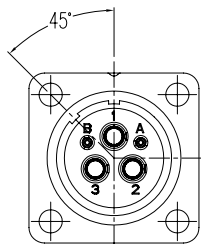
Y: 315°



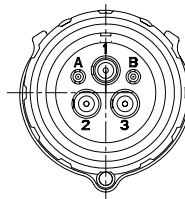
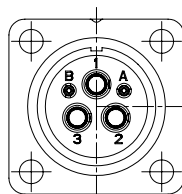
Z: 90°



W: 45°



N: NORMAL

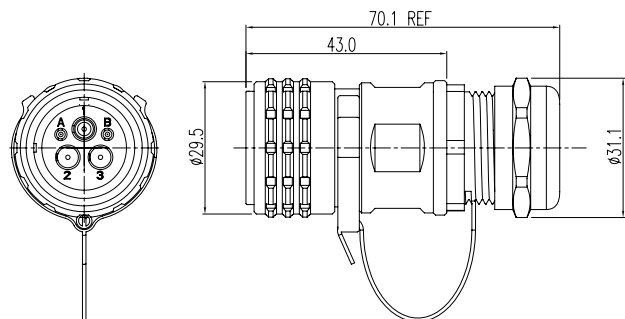
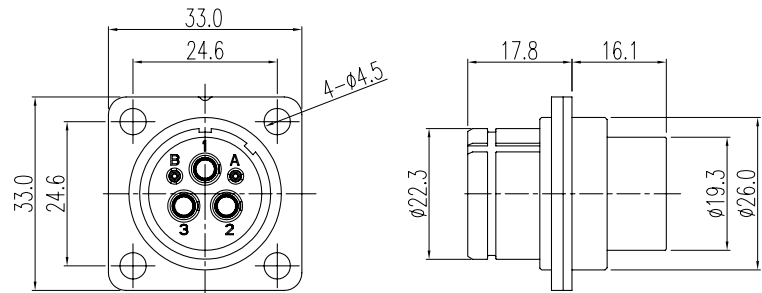


REMARK

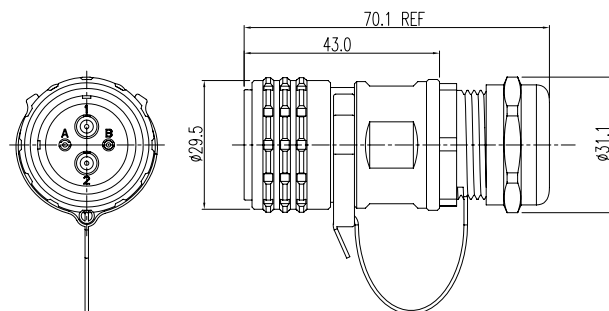
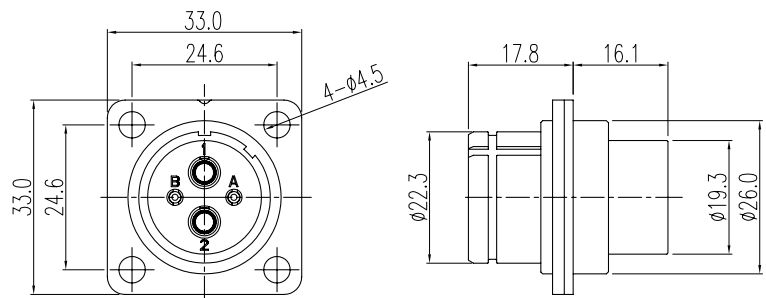
To avoid cross-plugging problems in applications requiring the use of more than one connector of the same size and arrangement, alternate keying positions are available.

The shell key is rotated counter-clockwise. The plug would be rotated clockwise the same number of degrees in respect to the shell key.

RECEPTACLE AND PLUG: 403



RECEPTACLE AND PLUG: 402



HVS SERIES



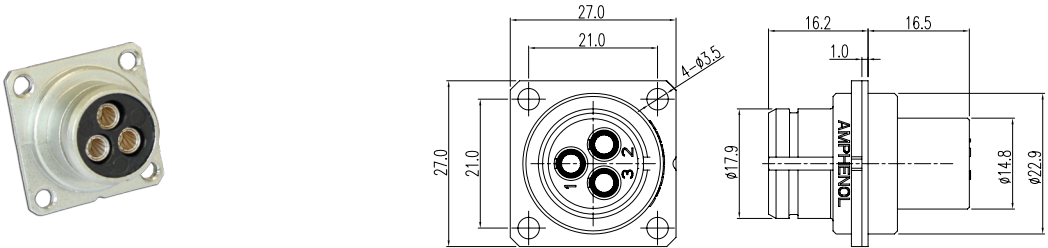
KEY FEATURES

- Easy to install in a limited space
- Push-pull locking system with audible "click"
- EMI shielding
- No tool required for unmating
- Sealing, IP67 (mated)
- Multiple coding positions
- RoHS compliant

APPLICATIONS	
PHEV air-conditioner	
DCDC	
PTC	
Power distribution boxes	
MECHANICAL	
Durability	> 500 mating cycles
Connection type	Crimping
ELECTRICAL	
Rated voltage	230V AC / 400V DC
Rated current	32A Max
Insulator resistance	> 2000MΩ
Dielectric withstand voltage	3000V AC
Shielding	Yes
ENVIRONMENTAL	
Sealing	IP67 (mated)
Temperature range	-40°C to 125°C, short term to 150°C
Inflammability	UL94V0
Salt spray	48h, 96h
MATERIAL	
Shell	Aluminum alloy with zinc, nickel plating and anodic oxidation
Contacts	Copper alloy, silver plating
Insulator	Flame-retardant thermoplastic composition
Sealing	Rubber

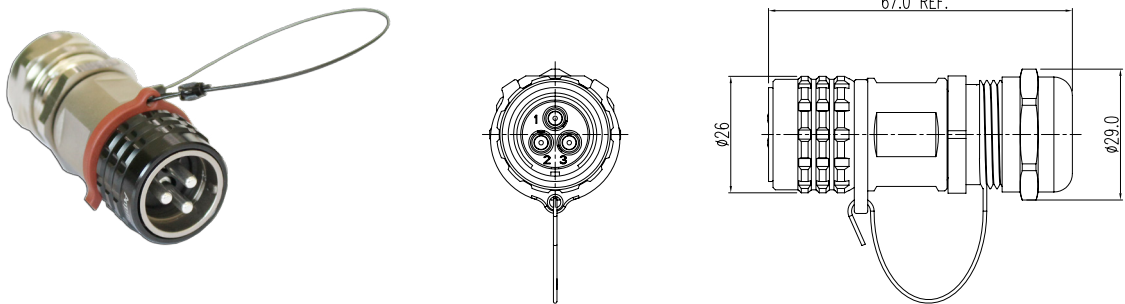
RECEPTACLE

P/N: **HVS1S-203FC** (socket) / **HVS1S-203MC** (pin)



PLUG

P/N: **HVS1P-203MC** (pin) / **HVS1P-203FC** (socket)



TOOLS

Contact size	Cable section (mm ²)	Extraction tool
#20	0.5 to 1	HV-TOOL-20R
3.0mm	2.5 / 4.0 / 6.0	HV-TOOL-30R
3.6mm	6 / 10.0	HV-TOOL-36R

Amphenol PCD Shenzhen

Building 21
1st Liao Keng Industrial Zone
Shi Yan Street, Bao An District Shenzhen 518108
China

Tel.: +86 755-8173-8000
Fax: +86 755-8173-8180
Email: inquiry@amphenolpcd.com.cn

www.amphenolpcd.com.cn

Notes:

Amphenol PCD Shenzhen has made every effort to ensure that the information contained in this catalog is accurate at the time of publication. Specifications or information stated in this publication are subject to change without notice.

Amphenol PCD Shenzhen reserves the right to clarify this catalog.

Mouser Electronics

Authorized Distributor

Click to View Pricing, Inventory, Delivery & Lifecycle Information:

Amphenol:

[HVBI002R6AMHARD](#) [HVBI005R10AMHARD](#) [HVBI705R10AFCARDFG70L0000](#) [HVBI902R6AFCARDFG25L0000](#)
[HVBI703R8AFCARDFG50L0000](#) [HVBI903R8AFCARDFG50L0000](#) [HVBI003R8AMHARD](#)
[HVBI905R10AFCARDFG70L0000](#) [HVBI702R6AFCARDFG25L0000](#) [HVSL1000062A150](#) [HVSL1000062A135](#)
[HVSL1000062A170](#) [HVBI705R10AFCCYLF50L0000](#) [HVBI705R10BFCEBLFG70L0000](#)
[HVBI702R6BFCCYLF20L0000](#) [HVBI902R6BFCARDFG25L0000](#) [HVBI702R6AFCCYLF20L0000](#)
[HVBI903R8AFCDGRFG50L0000](#) [HVBI902R6BFCDGRFG25L0000](#) [HVBI902R6AFCCBBKFG20L0000](#)
[HVBI905R10BFCARDFG70L0000](#) [HVBI005R10BMHFPU](#) [HVBI703R8BFCDGRFG35L0000](#) [HVBI005R10AMHEBL](#)
[HVBI702R6BFCDGRFG16L0000](#) [HVBI905R10AFCCBBKFG70L0000](#) [HVBI903R8AFCFPUFG35L0000](#)
[HVBI703R8BFCCBBKFG50L0000](#) [HVBI705R10BFCEBLFG50L0000](#) [HVBI705R10BFCCPUFG70L0000](#)
[HVBI002R6BMHEBL](#) [HVBI905R10BFCDGRFG70L0000](#) [HVBI705R10AFCCPUFG70L0000](#)
[HVBI902R6BFCDGRFG20L0000](#) [HVBI705R10AFCCYLF70L0000](#) [HVBI702R6BFCDGRFG20L0000](#)
[HVBI703R8AFCEBLFG50L0000](#) [HVBI902R6AFCARDFG16L0000](#) [HVBI903R8BFCDGRFG50L0000](#)
[HVBI005R10AMHDGR](#) [HVBI902R6BFCEBLFG25L0000](#) [HVBI702R6AFCCPUFG20L0000](#)
[HVBI905R10BFCCPUFG50L0000](#) [HVBI702R6BFCEBLFG25L0000](#) [HVBI902R6AFCDGRFG25L0000](#)
[HVBI003R8AMHEBL](#) [HVBI705R10BFCCBBKFG70L0000](#) [HVBI003R8BMHEBL](#) [HVBI005R10BMHCYL](#)
[HVBI002R6AMHBBK](#) [HVBI703R8AFCARDFG35L0000](#) [HVBI702R6BFCARDFG16L0000](#)
[HVBI903R8AFCCBBKFG35L0000](#) [HVBI703R8BFCCBBKFG35L0000](#) [HVBI702R6AFCEBLFG25L0000](#)
[HVBI903R8AFCARDFG35L0000](#) [HVBI902R6AFCCBBKFG16L0000](#) [HVBI903R8BFCEBLFG50L0000](#)
[HVBI703R8BFCCPUFG35L0000](#) [HVBI905R10BFCCBBKFG70L0000](#) [HVBI903R8BFCEBLFG35L0000](#)
[HVBI905R10BFCCPUFG70L0000](#) [HVBI902R6AFCDGRFG16L0000](#) [HVBI903R8AFCCBBKFG50L0000](#)
[HVBI905R10AFCCBBKFG50L0000](#) [HVBI702R6AFCEBLFG16L0000](#) [HVBI902R6AFCCYLF20L0000](#)
[HVBI705R10BFCCPUFG50L0000](#) [HVBI002R6BMHDGR](#) [HVBI903R8BFCDGRFG35L0000](#)
[HVBI703R8AFCCBBKFG35L0000](#) [HVBI003R8BMHCYL](#) [HVBI903R8BFCCPUFG35L0000](#)
[HVBI902R6AFCCYLF25L0000](#) [HVBI902R6AFCCBBKFG25L0000](#) [HVBI902R6BFCCYLF16L0000](#)
[HVBI702R6BFCCYLF25L0000](#) [HVBI905R10AFCCPUFG50L0000](#) [HVBI703R8AFCCPUFG50L0000](#)
[HVBI703R8AFCCPUFG35L0000](#) [HVBI905R10BFCEBLFG50L0000](#) [HVBI003R8AMHFPU](#)
[HVBI705R10AFCCBBKFG70L0000](#) [HVBI905R10BFCCYLF50L0000](#) [HVBI902R6BFCDGRFG16L0000](#)
[HVBI003R8AMHBBK](#) [HVBI902R6AFCCYLF16L0000](#) [HVBI903R8AFCEBLFG35L0000](#) [HVBI002R6AMHFPU](#)
[HVBI905R10AFCCYLF70L0000](#) [HVBI903R8AFCCYLF35L0000](#) [HVBI005R10BMHEBL](#)

单击下面可查看定价，库存，交付和生命周期等信息

[>>Amphenol\(安费诺\)](#)