

### 6 mm Square Thin Type SMD Light Touch Switches

Type: **EVQP0**  
**EVQQ2**



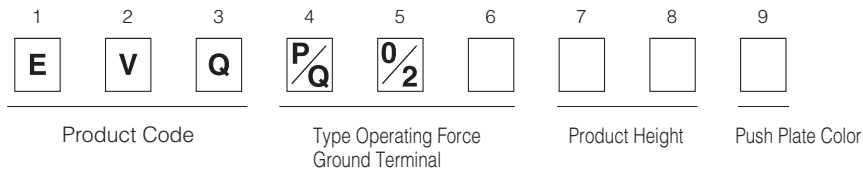
#### ■ Features

- External dimensions : 6.5 mm×6.0 mm, Height 1.8 mm (Excluding the push plate)
- With or without ground terminal, height, operating force
- Overstroke travel

#### ■ Recommended Applications

- Operating switches for other electronic equipment
- Operation switches for PC mouse
- Car audio systems
- Game

#### ■ Explanation of Part Numbers



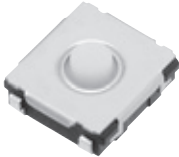
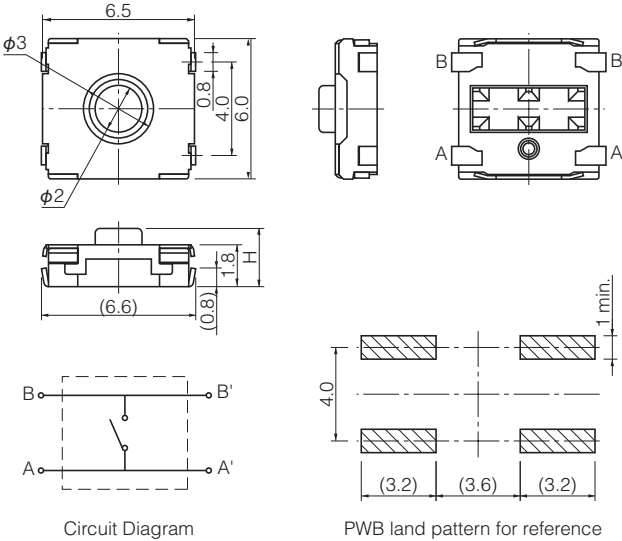
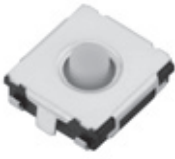
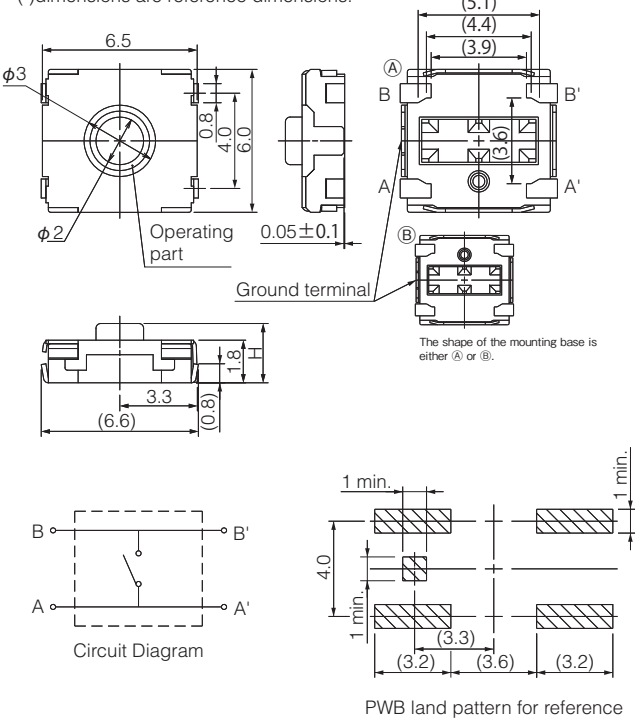
#### ■ Specifications

Travel Type		Short Push Travel	Overstroke Travel
Type		Snap action/Push-on type SPST	
Electrical	Rating	10 μA 2 V DC to 20 mA 15 V DC (Resistive load)	
	Contact Resistance	100 mΩ max.	
	Insulation Resistance	100 MΩ min. (at 100 V DC)	
	Dielectric Withstanding Voltage	250 V AC for 1 minute	
	Bouncing	10 ms max. (ON, OFF)	
Mechanical	Operating Force	0.5 N, 1.0 N, 1.3 N, 1.6 N, 2.6 N, 3.5 N	0.6 N, 1.0 N
	Travel	0.25 mm (0.20 mm : 0.5N, 1.0N)	0.30 mm
Endurance	Operating Life	0.5 N : 2,000,000 cycles min. 1.0 N, 1.3 N, 1.6 N : 1,000,000 cycles min. 2.6 N : 2,000,00 cycles min. 3.5 N : 100,000 cycles min.	0.6 N : 2,000,000 cycles min. 1.0 N : 1,000,000 cycles min.
Operating Temperature		-40 °C to +85 °C	
Storage Temperature		-40 °C to +85 °C (Bulk) -20 °C to +60 °C (Taping)	
Minimum Quantity/Packing Unit		H=2.0 mm	4,000 pcs. Embossed Taping (Reel Pack)
		H=2.5 mm, 3.1 mm	2,000 pcs. Embossed Taping (Reel Pack)
Quantity/Carton		H=2.0 mm	20,000 pcs.
		H=2.5 mm, 3.1 mm	10,000 pcs.

Note: Non washable

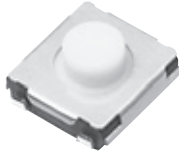
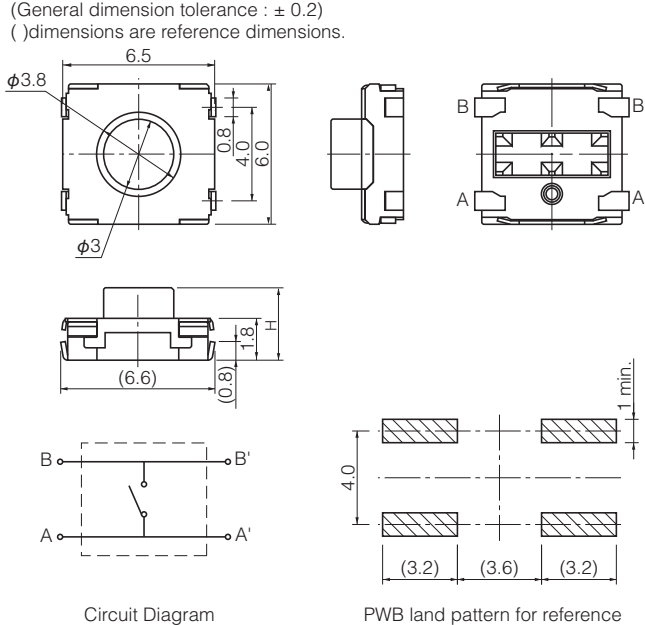
Design and specifications are each subject to change without notice. Ask factory for the current technical specifications before purchase and/or use.  
Should a safety concern arise regarding this product, please be sure to contact us immediately.

### ■ Dimensions in mm (not to scale)

<p>No. 1</p> <p><b>EVQP0</b></p> <p>Overstroke travel : 0.30 mm With J-bent terminals Without Ground Terminal</p> 	<p>(General dimension tolerance : ± 0.2) ( ) dimensions are reference dimensions.</p>  <p>Circuit Diagram</p> <p>PWB land pattern for reference</p>				
<p>Part Numbers</p> <p>EVQP0N02B</p> <p>EVQP0Q02Q</p>	<p>Operating Force</p> <p>0.6 N</p> <p>1.0 N</p>	<p>H=Height</p> <p>2.5 mm</p> <p>2.5 mm</p>	<p>Push Plate Color</p> <p>Blue</p> <p>Gray</p>	<p>Ground Terminal</p> <p>Without</p> <p>Without</p>	<p>Operating Life</p> <p>2,000,000 cycles</p> <p>1,000,000 cycles</p>
<p>No. 2</p> <p><b>EVQP0</b></p> <p>Overstroke travel : 0.30 mm With J-bent terminals With Ground Terminal</p> 	<p>(General dimension tolerance : ± 0.2) ( ) dimensions are reference dimensions.</p>  <p>Circuit Diagram</p> <p>PWB land pattern for reference</p> <p>The shape of the mounting base is either (A) or (B).</p>				
<p>Part Numbers</p> <p>EVQP0P02B</p> <p>EVQP0S02Q</p>	<p>Operating Force</p> <p>0.6 N</p> <p>1.0 N</p>	<p>H=Height</p> <p>2.5 mm</p> <p>2.5 mm</p>	<p>Push Plate Color</p> <p>Blue</p> <p>Gray</p>	<p>Ground Terminal</p> <p>With</p> <p>With</p>	<p>Operating Life</p> <p>2,000,000 cycles</p> <p>1,000,000 cycles</p>

Design and specifications are each subject to change without notice. Ask factory for the current technical specifications before purchase and/or use.  
Should a safety concern arise regarding this product, please be sure to contact us immediately.

■ Dimensions in mm (not to scale)

No. 3					
<b>EVQQ2</b> Short travel 0.25 mm With J-bent terminals Without Ground Terminal		(General dimension tolerance : ± 0.2) ( ) dimensions are reference dimensions.			
		 <p style="text-align: center;">Circuit Diagram</p> <p style="text-align: center;">PWB land pattern for reference</p>			
Part Numbers	Operating Force	H=Height	Push Plate Color	Ground Terminal	Operating Life
EVQQ2B01W	0.5 N	2.0 mm	White	Without	2,000,000 cycles
EVQQ2B02W	0.5 N	2.5 mm	White	Without	2,000,000 cycles
EVQQ2B03W	0.5 N	3.1 mm	White	Without	2,000,000 cycles
EVQQ2F01W	1.0 N	2.0 mm	White	Without	1,000,000 cycles
EVQQ2F02W	1.0 N	2.5 mm	White	Without	1,000,000 cycles
EVQQ2F03W	1.0 N	3.1 mm	White	Without	1,000,000 cycles
EVQQ2K01W	1.3 N	2.0 mm	White	Without	1,000,000 cycles
EVQQ2K02W	1.3 N	2.5 mm	White	Without	1,000,000 cycles
EVQQ2K03W	1.3 N	3.1 mm	White	Without	1,000,000 cycles
EVQQ2P01W	1.6 N	2.0 mm	White	Without	1,000,000 cycles
EVQQ2P02W	1.6 N	2.5 mm	White	Without	1,000,000 cycles
EVQQ2P03W	1.6 N	3.1 mm	White	Without	1,000,000 cycles
EVQQ2U01W	2.6 N	2.0 mm	White	Without	200,000 cycles
EVQQ2U02W	2.6 N	2.5 mm	White	Without	200,000 cycles
EVQQ2U03W	2.6 N	3.1 mm	White	Without	200,000 cycles
EVQQ2Y01W	3.5 N	2.0 mm	White	Without	100,000 cycles
EVQQ2Y02W	3.5 N	2.5 mm	White	Without	100,000 cycles
EVQQ2Y03W	3.5 N	3.1 mm	White	Without	100,000 cycles

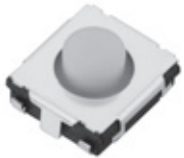
Design and specifications are each subject to change without notice. Ask factory for the current technical specifications before purchase and/or use.  
 Should a safety concern arise regarding this product, please be sure to contact us immediately.

### ■ Dimensions in mm (not to scale)

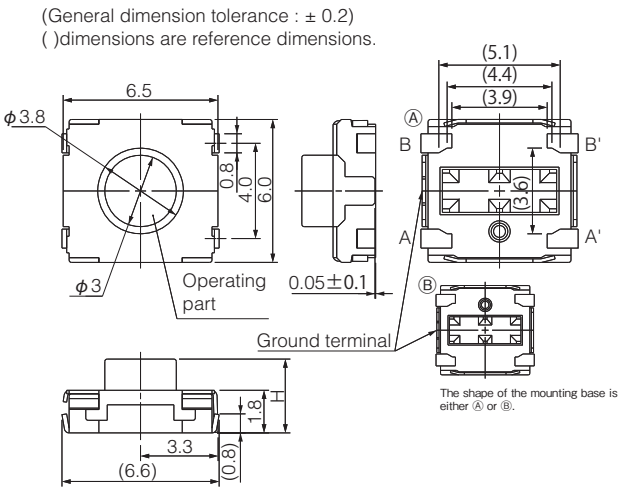
**No. 4**

**EVQQ2**

Short travel 0.25 mm  
With J-bent terminals  
With  
Ground Terminal



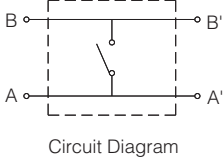
(General dimension tolerance : ± 0.2)  
( ) dimensions are reference dimensions.



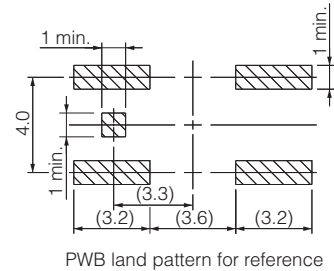
Operating part

Ground terminal

The shape of the mounting base is either (A) or (B).



Circuit Diagram

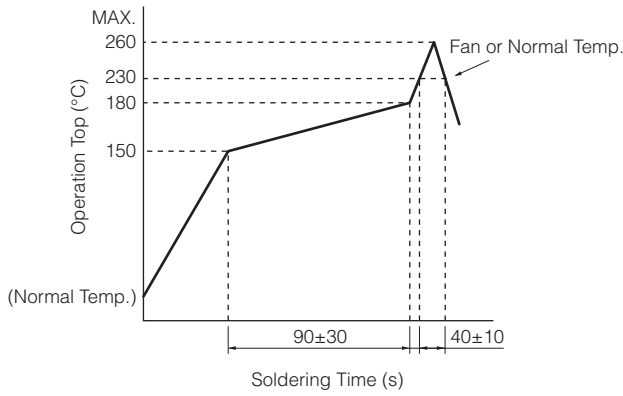


PWB land pattern for reference

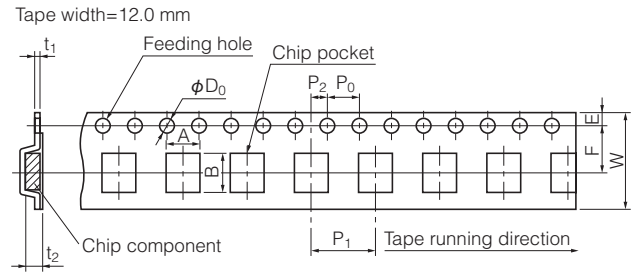
Part Numbers	Operating Force	H=Height	Push Plate Color	Ground Terminal	Operating Life
EVQQ2D01W	0.5 N	2.0 mm	White	With	2,000,000 cycles
EVQQ2D02W	0.5 N	2.5 mm	White	With	2,000,000 cycles
EVQQ2D03W	0.5 N	3.1 mm	White	With	2,000,000 cycles
EVQQ2H01W	1.0 N	2.0 mm	White	With	1,000,000 cycles
EVQQ2H02W	1.0 N	2.5 mm	White	With	1,000,000 cycles
EVQQ2H03W	1.0 N	3.1 mm	White	With	1,000,000 cycles
EVQQ2M01W	1.3 N	2.0 mm	White	With	1,000,000 cycles
EVQQ2M02W	1.3 N	2.5 mm	White	With	1,000,000 cycles
EVQQ2M03W	1.3 N	3.1 mm	White	With	1,000,000 cycles
EVQQ2S01W	1.6 N	2.0 mm	White	With	1,000,000 cycles
EVQQ2S02W	1.6 N	2.5 mm	White	With	1,000,000 cycles
EVQQ2S03W	1.6 N	3.1 mm	White	With	1,000,000 cycles
EVQQ2W01W	2.6 N	2.0 mm	White	With	200,000 cycles
EVQQ2W02W	2.6 N	2.5 mm	White	With	200,000 cycles
EVQQ2W03W	2.6 N	3.1 mm	White	With	200,000 cycles
EVQQ2201W	3.5 N	2.0 mm	White	With	100,000 cycles
EVQQ2202W	3.5 N	2.5 mm	White	With	100,000 cycles
EVQQ2203W	3.5 N	3.1 mm	White	With	100,000 cycles

Design and specifications are each subject to change without notice. Ask factory for the current technical specifications before purchase and/or use.  
Should a safety concern arise regarding this product, please be sure to contact us immediately.

## ■ Recommended Reflow Soldering Conditions



## ● Embossed Carrier Taping

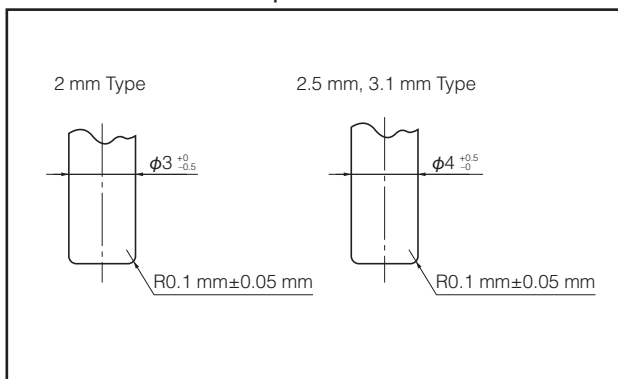


Taping condition : Lack of products in the middle of taping should be one MAX, but total quantity specified in the specifications should be secured.  
 Peeling off strength of top tape : It should be within 0.2N to 1.0N at 165 degree in peeling off angle.  
 Joint of carrier tape : One joint per one reel may exist.

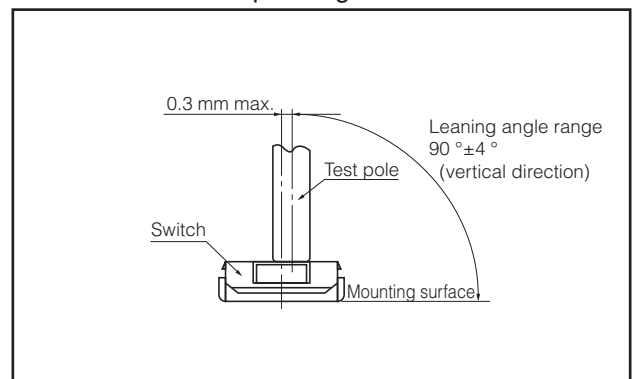
Unit: mm

Part No.	Height	A	B	W	F	E	P <sub>1</sub>	P <sub>2</sub>	P <sub>0</sub>	D <sub>0</sub> Dia	t <sub>1</sub>	t <sub>2</sub>
EVQQ2	2.0	6.7±0.2	7.4±0.2	12.0±0.3	5.5±0.1	1.75±0.10	8.0±0.1	2.0±0.1	4.0±0.1	1.5 <sup>+0.1</sup>	0.30±0.05	2.2±0.2
	2.5/3.1											3.2±0.2
EVQP0	2.5											2.8±0.2

## ■ Recommended Shape of Test Pole



## ■ Recommended Operating Conditions



Design and specifications are each subject to change without notice. Ask factory for the current technical specifications before purchase and/or use.  
 Should a safety concern arise regarding this product, please be sure to contact us immediately.

单击下面可查看定价，库存，交付和生命周期等信息

[>>Panasonic\(松下\)](#)