

**Table 1: Dimensions** Millimeters (Inches)

Size	(A)	(B) Minimum	(L) Nominal	(C) Minimum	(D) Maximum	(W)
TC 4001	19.1(0.750) ± 1.6(0.062)	10.2(0.400)	3.8(0.15)	1.6(0.63)	0.8(0.030)	0.51(0.020) ± 0.1(0.005)
TC 4003	25.4(1.000) ± 1.6(0.062)	14(0.550)	3.8(0.15)	3.2(0.125)	1.3(0.050)	0.64(0.025) ± 0.1(0.005)
TC 4005	28.6(1.125) ± 1.6(0.062)	14(0.550)	3.8(0.15)	6.4(0.250)	2.5(0.100)	0.69(0.027) ± 0.1(0.005)

**Color:** TC4001 White  
TC4003 Red  
TC4005 Gray


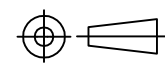
Reference Specification TEC-108-120013

RELEASED FOR PUBLICATION

ALL RIGHTS RESERVED.

THIS DRAWING IS UNPUBLISHED.

© COPYRIGHT 2017 TE Connectivity

DIMENSIONS: mm	DWN J. Bitter	29-NOV-16	MATERIAL -	FINISH -
	CHK -	-	 TE Connectivity 305 Constitution Drive Menlo Park, CA 94025 USA	
TOLERANCES UNLESS OTHERWISE SPECIFIED:	APVD -	-		
0 PLC ± -	PRODUCT SPEC -	NAME TC-CAPS		
1 PLC ± -	APPLICATION SPEC -	SIZE A4		
2 PLC ± -	WEIGHT 0	CAGE CODE 06090	DRAWING NO TC-CAPS	RESTRICTED TO -
3 PLC ± -				
4 PLC ± -				
ANGLES ± -				
	CUSTOMER DRAWING		SCALE None	SHEET 1 of 1
				REV D

单击下面可查看定价，库存，交付和生命周期等信息

[>>TE Connectivity\(泰科\)](#)