

# LFFB SERIES LIMITER BLOCK

150 V • 800 A



## Description

The LFFB series fuse block is designed to accept bolt-down style limiter fuses. Applications include but are not limited to forklifts, golf carts and other low-voltage battery equipment. It is specifically designed for the HAZGARD™ fuse but can be used for CNN and CNL series fuses as well.

## Specifications

<b>Voltage Rating</b>	150 Vac/dc
<b>Ampere Rating</b>	800 A Max
<b>Approvals</b>	UL Recognized (File: E14721)
<b>Construction</b>	Base – Thermoplastic Studs – Steel Zinc Plated Nuts – M8 Hex, 1.25 Thread Pitch
<b>Torque</b>	Base: 25 in-lb Fuse: 90 in-lb
<b>Operating Temp</b>	-55°C to +125°C
<b>Environmental</b>	RoHS Compliant

## Ordering Information

CATALOG NUMBER	ORDERING NUMBER
LFFB003	LFFB0003Z

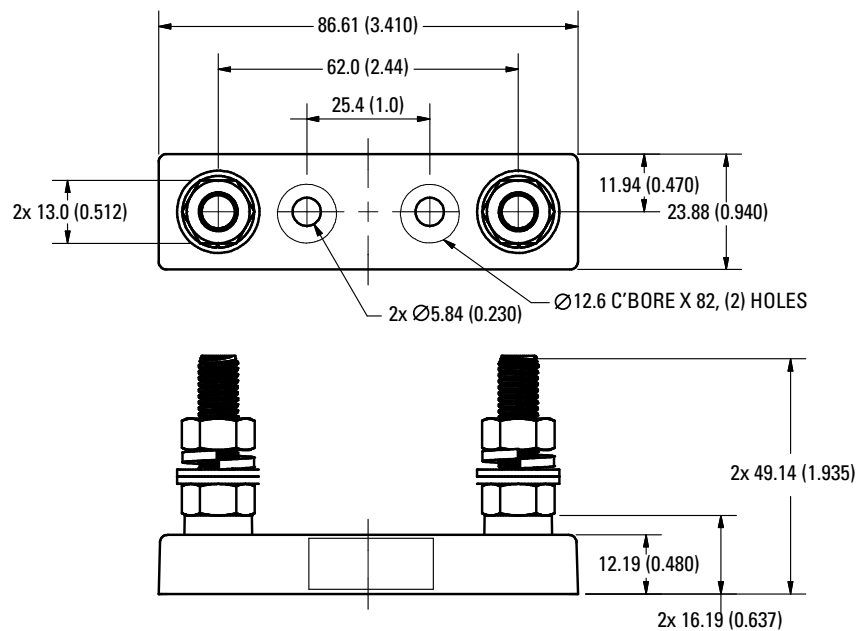
## Web Resources

Additional technical information: [littelfuse.com/lffb](http://littelfuse.com/lffb)

## Recommended Fuses

CNN\_E, CNN and CNL Series cable limiter fuses  
HAZGARD (581 series) fuse

## Dimensions mm (inches)



单击下面可查看定价，库存，交付和生命周期等信息

[>>Littelfuse\(美国力特\)](#)