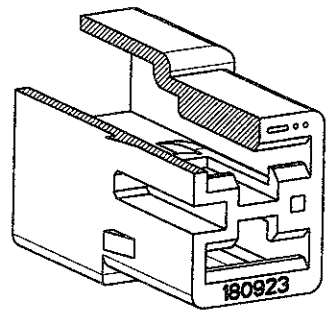
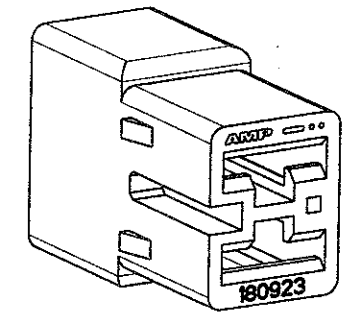
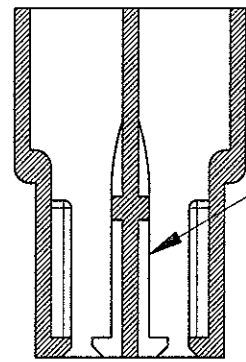


P	LTR	DESCRIPTION	DATE	DWN	APVD
		AG4 REVISED PER ECO-11-005140	01APR11	RK	HMR



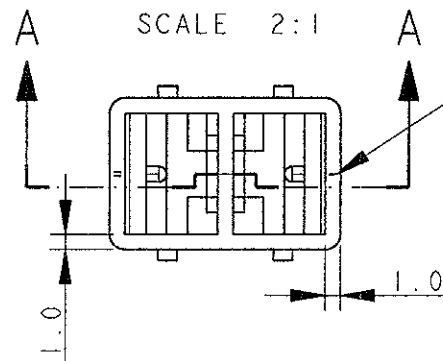
SECTION A-A



TIPICA CAVITA' PER TERMINALE TE AMP  
FASTIN-FASTON SR. 6.35 mm  
(TYPICAL CAVITY FOR TE AMP  
FASTIN-FASTON .250" SR.)

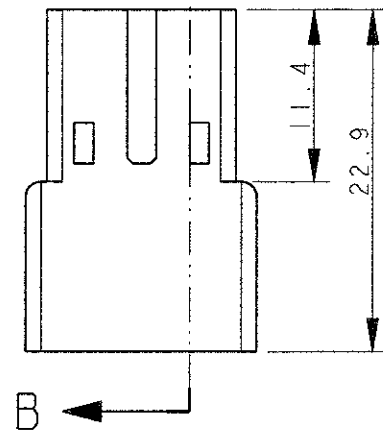
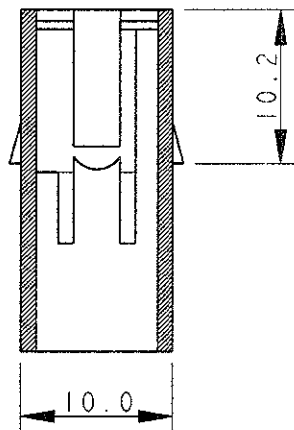
- 1 RISERVATO PER TE AMP GERMANY (RESTRICTED FOR TE AMP GERMANY)
- 2 RISERVATO PER TE AMP DE FRANCE (RESTRICTED FOR TE AMP DE FRANCE)
- 3 FOR FOREIGN PRODUCTION ONLY
- 4 NON DISPONIBILE DA TE AMP ITALIA (NO MORRE AVAILABLE FROM TE AMP ITALIA)
- 5 OBSOLETE PARTS: OBSOLETE CIS STREAMLINING PER D.RENAUD/D.SINISI

SCALE 2:1



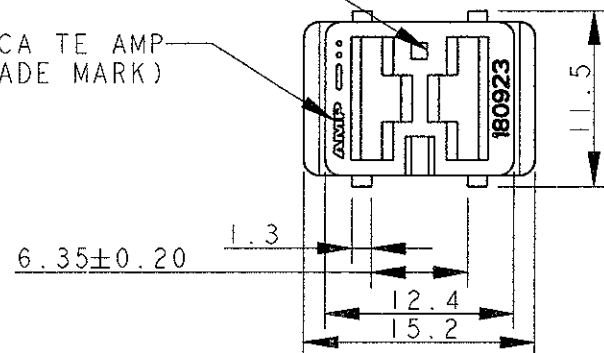
CIRCUIT IDENTIFICATION

SECTION B-B



NUMERO DI IMPRONTA STAMPO  
(MOULD CAVITY IDENTIFICATION NO.)

MARCHIO DI FABBRICA TE AMP  
(TE AMP TRADE MARK)



5 OBSOLETE	3 4	NATURALE (NATURAL)	PA 6.6 (PA 6.6 UNFILLED)	9-180923-0	AG	
	3 4	NATURALE (NATURAL)	PA 6.6 UL 94 V-0 (PA 6.6 UNFILLED UL 94 V-0)	4-180923-0	AG	
	2	NATURALE (NATURAL)	PA 6.6 (PA 6.6 UNFILLED)	3-180923-0	AG	
	1	NATURALE (NATURAL)	ZYTEL E103 HSLC	2-180923-0	AG	
	3 4	ARANCIO (ORANGE)	PA 6.6 (PA 6.6 UNFILLED)	0-180923-9	AG	
	3 4	VIOLETTO (VIOLET)		0-180923-8	AG	
		NERO (BLACK)		0-180923-5	AG	
5 OBSOLETE	3 4	GIALLO (YELLOW)		0-180923-4	AG	
		BLU (BLUE)		0-180923-3	AG	
		VERDE (GREEN)		0-180923-2	AG	
		ROSSO (RED)		0-180923-1	AG	
		NATURALE (NATURAL)		0-180923-0	AG	
NOTE		COLORE (COLOUR)		MATERIALE (MATERIAL)	NUMERO (P/N)	REV

DIMENSIONS: mm 		TOLERANCES UNLESS OTHERWISE SPECIFIED: 0 PLC ± 1 PLC ±0.3 2 PLC ± 3 PLC ± 4 PLC ± ANGLES ±2° FINISH SEE TABLE		DWN H. YAALI 31 JUL 2002 CHK C. TARTARI APVD - PRODUCT SPEC 108-20020 APPLICATION SPEC - WEIGHT 1.5 g		TE Connectivity	
MATERIAL SEE TABLE				NAME FASTIN-FASTON™ Connector, .250" srs. RECEPTACLE HOUSING 2 POSITIONS			
CUSTOMER DRAWING		SCALE 2:1		SHEET 1 OF 1		REV AG4	

单击下面可查看定价，库存，交付和生命周期等信息

[>>TE Connectivity\(泰科\)](#)