

Low Voltage Detectors ( $V_{DF} = 0.8V \sim 1.5V$ )  
 Standard Voltage Detectors ( $V_{DF} = 1.6V \sim 6.0V$ )

## GENERAL DESCRIPTION

The XC61C series are highly precise, low power consumption voltage detectors, manufactured using CMOS and laser trimming technologies.

Detect voltage is extremely accurate with minimal temperature drift.

Both CMOS and N-ch open drain output configurations are available.

## APPLICATIONS

- Microprocessor reset circuitry
- Memory battery back-up circuits
- Power-on reset circuits
- Power failure detection
- System battery life and charge voltage monitors

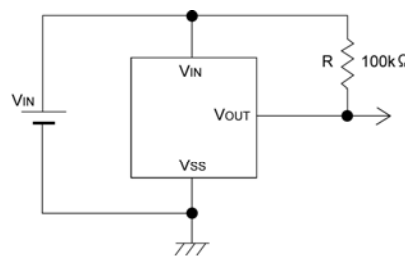
## FEATURES

- Highly Accurate** :  $\pm 2\%$   
:  $\pm 1\%$  (Standard Voltage VD: 2.6V~5.1V)
- Low Power Consumption** :  $0.7 \mu A$  (TYP.) [ $V_{IN} = 1.5V$ ]
- Detect Voltage Range** :  $0.8V \sim 6.0V$  in  $0.1V$  increments
- Operating Voltage Range** :  $0.7V \sim 6.0V$  (Low Voltage)  
 $0.7V \sim 10.0V$  (Standard Voltage)
- Detect Voltage Temperature Characteristics**  
:  $\pm 100ppm/^{\circ}C$  (TYP.)
- Output Configuration** : N-ch open drain or CMOS
- Packages** : SSOT-24  
SOT-23  
SOT-89
- Environmentally Friendly** : EU RoHS Compliant, Pb Free

## TYPICAL APPLICATION CIRCUITS



CMOS Output



N-ch Open Drain Output

## TYPICAL PERFORMANCE CHARACTERISTICS



## PIN CONFIGURATION



## PIN ASSIGNMENT

| PIN NUMBER |        |        | PIN NAME         | FUNCTIONS            |
|------------|--------|--------|------------------|----------------------|
| SSOT-24    | SOT-23 | SOT-89 |                  |                      |
| 2          | 3      | 2      | V <sub>IN</sub>  | Supply Voltage Input |
| 4          | 2      | 3      | V <sub>SS</sub>  | Ground               |
| 1          | 1      | 1      | V <sub>OUT</sub> | Output               |
| 3          | -      | -      | NC               | No Connection        |

## PRODUCT CLASSIFICATION

### Ordering Information

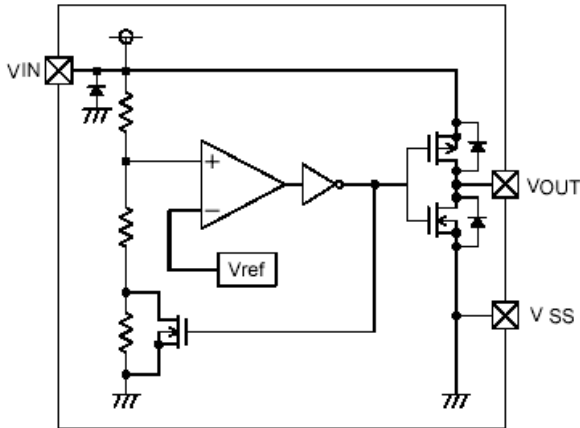
XC61C①②③④⑤⑥⑦-⑧<sup>(\*)</sup>

| DESIGNATOR          | ITEM                  | SYMBOL  | DESCRIPTION                                |
|---------------------|-----------------------|---------|--|
| ①                   | Output Configuration  | C       | CMOS output                                |
|                     |                       | N       | N-ch open drain output                     |
| ②③                  | Detect Voltage        | 08 ~ 60 | e.g.0.9V → ②0, ③9                          |
|                     |                       |         | e.g.1.5V → ②1, ③5                          |
| ④                   | Output Delay          | 0       | No delay                                   |
| ⑤                   | Detect Accuracy       | 1       | Within ±1% (V <sub>DF(T)</sub> =2.6V~5.1V) |
|                     |                       | 2       | Within ±2%                                 |
| ⑥⑦-⑧ <sup>(*)</sup> | Packages (Order Unit) | NR      | SSOT-24 (3,000pcs/Reel)                    |
|                     |                       | NR-G    | SSOT-24 (3,000pcs/Reel)                    |
|                     |                       | MR      | SOT-23 (3,000pcs/Reel)                     |
|                     |                       | MR-G    | SOT-23 (3,000pcs/Reel)                     |
|                     |                       | PR      | SOT-89 (1,000pcs/Reel)                     |
|                     |                       | PR-G    | SOT-89 (1,000pcs/Reel)                     |

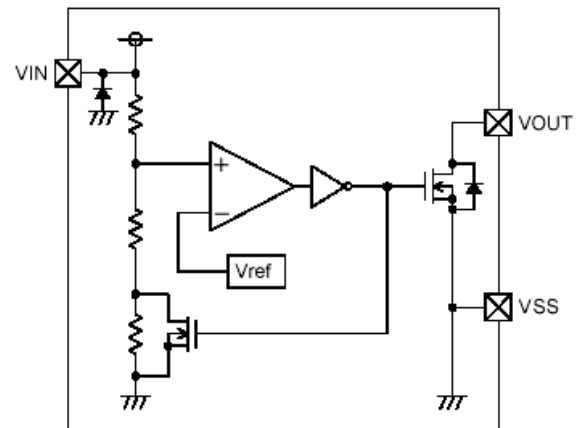
<sup>(\*)</sup> The "-G" suffix denotes Halogen and Antimony free as well as being fully EU RoHS compliant.

## ■ BLOCK DIAGRAMS

(1) CMOS Output



(2) N-ch Open Drain Output



## ■ ABSOLUTE MAXIMUM RATINGS

Ta = 25°C

| PARAMETER                     |                           | SYMBOL | RATINGS             | UNITS |
|-------------------------------|---------------------------|--------|---------------------|-------|
| Input Voltage                 | *1                        | VIN    | VSS-0.3 ~ 9.0       | V     |
|                               | *2                        |        | VSS-0.3 ~ 12.0      |       |
| Output Current                |                           | IOUT   | 50                  | mA    |
| Output Voltage                | CMOS                      | VOUT   | VSS -0.3 ~ VIN +0.3 | V     |
|                               | N-ch Open Drain Output *1 |        | VSS -0.3 ~ 9.0      |       |
|                               | N-ch Open Drain Output *2 |        | VSS -0.3 ~ 12.0     |       |
| Power Dissipation             | SSOT-24                   | Pd     | 150                 | mW    |
|                               | SOT-23                    |        | 150                 |       |
|                               | SOT-89                    |        | 500                 |       |
| Operating Ambient Temperature |                           | Topr   | -40 ~ +85           | °C    |
| Storage Temperature           |                           | Tstg   | -55 ~ +125          | °C    |

\*1: Low voltage: VDF(T)=0.8V~1.5V

\*2: Standard voltage: VDF(T)=1.6V~6.0V

## ELECTRICAL CHARACTERISTICS

$V_{DF(T)} = 0.8V \text{ to } 6.0V \pm 2\%$

$V_{DF(T)} = 2.6V \text{ to } 5.1V \pm 1\%$

$T_a = 25^\circ\text{C}$

| PARAMETER                                     | SYMBOL  | CONDITIONS   | MIN.   | TYP.                      | MAX.                         | UNITS                       | CIRCUITS    |   |
|---|---|--|--|---------------------------|------------------------------|-----------------------------|-------------|---|
| Detect Voltage                                | $V_{DF}$  | $V_{DF(T)} = 0.8V \sim 1.5V$ *1<br>$V_{DF(T)} = 1.6V \sim 6.0V$ *2 | $V_{DF(T)}$<br>$\times 0.98$   | $V_{DF(T)}$               | $V_{DF(T)}$<br>$\times 1.02$ | V                           | 1           |   |
|   |   | $V_{DF(T)} = 2.6V \sim 5.1V$ *2                                    | $V_{DF(T)}$<br>$\times 0.99$   | $V_{DF(T)}$               | $V_{DF(T)}$<br>$\times 1.01$ | V                           | 1           |   |
| Hysteresis Range                              | $V_{HYS}$                                       |  | $V_{DF}$<br>$\times 0.02$  | $V_{DF}$<br>$\times 0.05$ | $V_{DF}$<br>$\times 0.08$    | V                           | 1           |   |
| Supply Current                                | $I_{SS}$  | $V_{IN} = 1.5V$  | -  | 0.7                       | 2.3                          | $\mu\text{A}$               | 2           |   |
|   |   | $V_{IN} = 2.0V$  | -  | 0.8                       | 2.7                          |                             |             |   |
|   |   | $V_{IN} = 3.0V$  | -  | 0.9                       | 3.0                          |                             |             |   |
|   |   | $V_{IN} = 4.0V$  | -  | 1.0                       | 3.2                          |                             |             |   |
|   |   | $V_{IN} = 5.0V$  | -  | 1.1                       | 3.6                          |                             |             |   |
| Operating Voltage *1                          | $V_{IN}$  | $V_{DF(T)} = 0.8V \text{ to } 1.5V$                                | 0.7  | -                         | 6.0                          | V                           | 1           |   |
| Operating Voltage *2                          |   | $V_{DF(T)} = 1.6V \text{ to } 6.0V$                                | 0.7  | -                         | 10.0                         |                             |             |   |
| Output Current *1                             | $I_{OUT}$                                       | N-ch $V_{DS} = 0.5V$   | $V_{IN} = 0.7V$  | 0.10                      | 0.80                         | -                           | $\text{mA}$ | 3 |
|   |   |  | $V_{IN} = 1.0V$  | 0.85                      | 2.70                         | -                           |             |   |
| CMOS, P-ch $V_{DS} = 2.1V$                    |   | $V_{IN} = 6.0V$  | -  | -7.5                      | -1.5                         | 4                           |             |   |
|   |   | $V_{IN} = 1.0V$  | 1.0  | 2.2                       | -                            |                             |             |   |
| Output Current *2                             |   | N-ch $V_{DS} = 0.5V$   | $V_{IN} = 2.0V$  | 3.0                       | 7.7                          | -                           |             | 3 |
|   |   |  | $V_{IN} = 3.0V$  | 5.0                       | 10.1                         | -                           |             |   |
|   | $V_{IN} = 4.0V$                                 |  | 6.0  | 11.5                      | -                            |                             |             |   |
|   | $V_{IN} = 5.0V$                                 |  | 7.0  | 13.0                      | -                            |                             |             |   |
| CMOS, P-ch $V_{DS} = 2.1V$                    | $V_{IN} = 8.0V$                                 | -  | -10.0  | -2.0                      | 4                            |                             |             |   |
| Leakage Current                               | CMOS Output (Pch)                               | $I_{LEAK}$   | $V_{IN} = V_{DF} \times 0.9, V_{OUT} = 0V$                                 | -                         | -10                          | -                           | $\text{nA}$ | 3 |
|   | N-ch Open Drain                                 |  | $V_{IN} = 6.0V, V_{OUT} = 6.0V$ *1<br>$V_{IN} = 10.0V, V_{OUT} = 10.0V$ *2 | -                         | 10                           | 100                         |             |   |
| Temperature Characteristics                   | $\Delta V_{DF} / (\Delta T_{opr} \cdot V_{DF})$ | $-40^\circ\text{C} \leq T_{opr} \leq 85^\circ\text{C}$             | -  | $\pm 100$                 | -                            | $\text{ppm}/^\circ\text{C}$ | 1           |   |
| Delay Time (VDR $\rightarrow$ VOUT inversion) | $t_{DLY}$                                       | Inverts from VDR to VOUT   | -  | 0.03                      | 0.20                         | ms                          | 5           |   |

NOTE:

\*1: Low Voltage:  $V_{DF(T)} = 0.8V \sim 1.5V$

\*2: Standard Voltage:  $V_{DF(T)} = 1.6V \sim 6.0V$

$V_{DF(T)}$ : Nominal detect voltage

Release Voltage:  $V_{DR} = V_{DF} + V_{HYS}$

## OPERATIONAL EXPLANATION

(Especially prepared for CMOS output products)

- ① When input voltage ( $V_{IN}$ ) is higher than detect voltage ( $V_{DF}$ ), output voltage ( $V_{OUT}$ ) will be equal to  $V_{IN}$ .  
(A condition of high impedance exists with N-ch open drain output configurations.)
- ② When input voltage ( $V_{IN}$ ) falls below detect voltage ( $V_{DF}$ ), output voltage ( $V_{OUT}$ ) will be equal to the ground voltage ( $V_{SS}$ ) level.
- ③ When input voltage ( $V_{IN}$ ) falls to a level below that of the minimum operating voltage ( $V_{MIN}$ ), output will become unstable. (As for the N-ch open drain product of XC61CN, the pull-up voltage goes out at the output voltage.)
- ④ When input voltage ( $V_{IN}$ ) rises above the ground voltage ( $V_{SS}$ ) level, output will be unstable at levels below the minimum operating voltage ( $V_{MIN}$ ). Between the  $V_{MIN}$  and detect release voltage ( $V_{DR}$ ) levels, the ground voltage ( $V_{SS}$ ) level will be maintained.
- ⑤ When input voltage ( $V_{IN}$ ) rises above detect release voltage ( $V_{DR}$ ), output voltage ( $V_{OUT}$ ) will be equal to  $V_{IN}$ .  
(A condition of high impedance exists with N-ch open drain output configurations.)
- ⑥ The difference between  $V_{DR}$  and  $V_{DF}$  represents the hysteresis range.

### Timing Chart



## NOTES ON USE

1. Please use this IC within the stated absolute maximum ratings. For temporary, transitional voltage drop or voltage rising phenomenon, the IC is liable to malfunction should the ratings be exceeded.
2. When a resistor is connected between the  $V_{IN}$  pin and the power supply with CMOS output configurations, oscillation may occur as a result of voltage drops at  $R_{IN}$  if load current ( $I_{OUT}$ ) exists. (refer to the Oscillation Description (1) below)
3. When a resistor is connected between the  $V_{IN}$  pin and the power supply with CMOS output configurations, irrespective of N-ch open-drain output configurations, oscillation may occur as a result of through current at the time of voltage release even if load current ( $I_{OUT}$ ) does not exist. (refer to the Oscillation Description (2) below )
4. Please use N-ch open drain output configuration, when a resistor  $R_{IN}$  is connected between the  $V_{IN}$  pin and power source. In such cases, please ensure that  $R_{IN}$  is less than  $10k\Omega$  and that  $C$  is more than  $0.1\mu F$ , please test with the actual device. (refer to the Oscillation Description (1) below)
5. With a resistor  $R_{IN}$  connected between the  $V_{IN}$  pin and the power supply, the  $V_{IN}$  pin voltage will be getting lower than the power supply voltage as a result of the IC's supply current flowing through the  $V_{IN}$  pin.
6. In order to stabilize the IC's operations, please ensure that  $V_{IN}$  pin input frequency's rise and fall times are more than  $2\mu s/V$ .
7. Torex places an importance on improving our products and its reliability.  
However, by any possibility, we would request user fail-safe design and post-aging treatment on system or equipment.



Figure 1: Circuit using an input resistor

### Oscillation Description

#### (1) Load current oscillation with the CMOS output configuration

When the voltage applied at power supply, release operations commence and the detector's output voltage increases. Load current ( $I_{OUT}$ ) will flow at  $R_L$ . Because a voltage drop ( $R_{IN} \times I_{OUT}$ ) is produced at the  $R_{IN}$  resistor, located between the power supply and the  $V_{IN}$  pin, the load current will flow via the IC's  $V_{IN}$  pin. The voltage drop will also lead to a fall in the voltage level at the  $V_{IN}$  pin. When the  $V_{IN}$  pin voltage level falls below the detect voltage level, detect operations will commence. Following detect operations, load current flow will cease and since voltage drop at  $R_{IN}$  will disappear, the voltage level at the  $V_{IN}$  pin will rise and release operations will begin over again. Oscillation may occur with this " release - detect - release " repetition. Further, this condition will also appear via means of a similar mechanism during detect operations.

#### (2) Oscillation as a result of through current

Since the XC61C series are CMOS IC s, through current will flow when the IC's internal circuit switching operates (during release and detect operations). Consequently, oscillation is liable to occur as a result of drops in voltage at the through current's resistor ( $R_{IN}$ ) during release voltage operations. (refer to Figure 3)  
Since hysteresis exists during detect operations, oscillation is unlikely to occur.



Figure 2: Oscillation in relation to output current



Figure 3: Oscillation in relation to through current

## ■ TEST CIRCUITS

Circuit 1



Circuit 2



Circuit 3



Circuit 4



Circuit 5



\* : A resistor is not necessary with CMOS output products.

## TYPICAL PERFORMANCE CHARACTERISTICS

### Low Voltage

(1) Supply Current vs. Input Voltage



(2) Detect, Release Voltage vs. Ambient Temperature



(3) Output Voltage vs. Input Voltage



Note : Unless otherwise stated, the N-ch open drain pull-up resistance value is 100kΩ.



## ■ TYPICAL PERFORMANCE CHARACTERISTICS (Continued)

### ● Low Voltage (Continued)

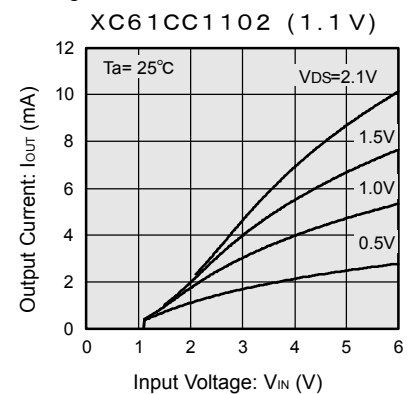
(4) N-ch Driver Output Current vs.  $V_{DS}$



(5) N-ch Driver Output Current vs. Input Voltage



(6) P-ch Driver Output Current vs. Input Voltage



## TYPICAL PERFORMANCE CHARACTERISTICS (Continued)

### Standard Voltage

(1) Supply Current vs. Input Voltage



(2) Detect, Release Voltage vs. Ambient Temperature



■ **TYPICAL PERFORMANCE CHARACTERISTICS (Continued)**

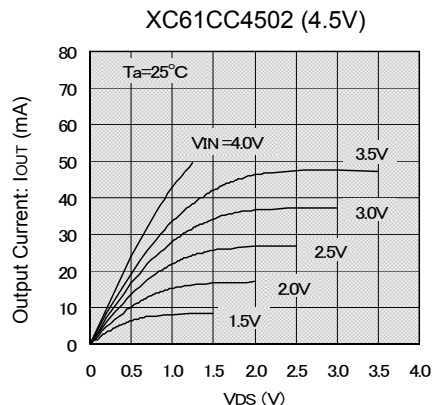
● **Standard Voltage (Continued)**

(3) Output Voltage vs. Input Voltage



Note : The N-ch open drain pull up resistance value is 100kΩ.

(4) N-ch Driver Output Current vs. Vds



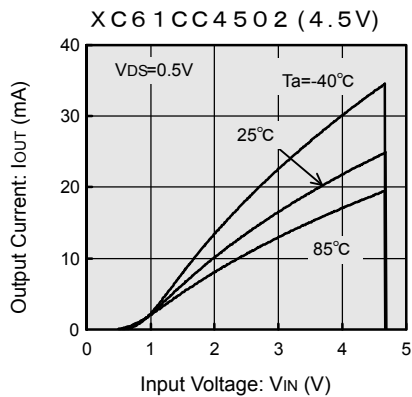
## TYPICAL PERFORMANCE CHARACTERISTICS (Continued)

### Standard Voltage (Continued)

(4) N-ch Driver Output Current vs.  $V_{DS}$



(5) N-ch Driver Output Current vs. Input Voltage



■ **TYPICAL PERFORMANCE CHARACTERISTICS (Continued)**

● **Standard Voltage (Continued)**

(6) P-ch Driver Output Current vs. Input Voltage



## PACKAGING INFORMATION

### ● SSOT-24



### ● SOT-23



### ● SOT-89



## MARKING RULE

- SSOT-24, SOT-23, SOT-89



- ① represents integer of detect voltage and CMOS Output (XC61CC series)

| MARK | CONFIGURATION | VOLTAGE (V) |
|------|---------------|-------------|
| A    | CMOS          | 0.X         |
| B    | CMOS          | 1.X         |
| C    | CMOS          | 2.X         |
| D    | CMOS          | 3.X         |
| E    | CMOS          | 4.X         |
| F    | CMOS          | 5.X         |
| H    | CMOS          | 6.X         |

- N-Channel Open Drain Output (XC61CN series)

| MARK | CONFIGURATION | VOLTAGE (V) |
|------|---------------|-------------|
| K    | N-ch          | 0.X         |
| L    | N-ch          | 1.X         |
| M    | N-ch          | 2.X         |
| N    | N-ch          | 3.X         |
| P    | N-ch          | 4.X         |
| R    | N-ch          | 5.X         |
| S    | N-ch          | 6.X         |

- ② represents decimal number of detect voltage

| MARK | VOLTAGE (V) | MARK | VOLTAGE (V) |
|------|-------------|------|-------------|
| 0    | X.0         | 5    | X.5         |
| 1    | X.1         | 6    | X.6         |
| 2    | X.2         | 7    | X.7         |
| 3    | X.3         | 8    | X.8         |
| 4    | X.4         | 9    | X.9         |

- ③ represents delay time  
(Except for SSOT-24)

| MARK | DELAY TIME    | PRODUCT SERIES |
|------|---------------|----------------|
| 3    | No Delay Time | XC61Cxxx0xxx   |

- ④ represents production lot number

Based on the internal standard. (G, I, J, O, Q, W excluded)

1. The product and product specifications contained herein are subject to change without notice to improve performance characteristics. Consult us, or our representatives before use, to confirm that the information in this datasheet is up to date.
2. The information in this datasheet is intended to illustrate the operation and characteristics of our products. We neither make warranties or representations with respect to the accuracy or completeness of the information contained in this datasheet nor grant any license to any intellectual property rights of ours or any third party concerning with the information in this datasheet.
3. Applicable export control laws and regulations should be complied and the procedures required by such laws and regulations should also be followed, when the product or any information contained in this datasheet is exported.
4. The product is neither intended nor warranted for use in equipment of systems which require extremely high levels of quality and/or reliability and/or a malfunction or failure which may cause loss of human life, bodily injury, serious property damage including but not limited to devices or equipment used in 1) nuclear facilities, 2) aerospace industry, 3) medical facilities, 4) automobile industry and other transportation industry and 5) safety devices and safety equipment to control combustions and explosions. Do not use the product for the above use unless agreed by us in writing in advance.
5. Although we make continuous efforts to improve the quality and reliability of our products; nevertheless Semiconductors are likely to fail with a certain probability. So in order to prevent personal injury and/or property damage resulting from such failure, customers are required to incorporate adequate safety measures in their designs, such as system fail safes, redundancy and fire prevention features.
6. Our products are not designed to be Radiation-resistant.
7. Please use the product listed in this datasheet within the specified ranges.
8. We assume no responsibility for damage or loss due to abnormal use.
9. All rights reserved. No part of this datasheet may be copied or reproduced unless agreed by Torex Semiconductor Ltd in writing in advance.

TOREX SEMICONDUCTOR LTD.



单击下面可查看定价，库存，交付和生命周期等信息

[>>Torex Semiconductor\(特瑞仕\)](#)