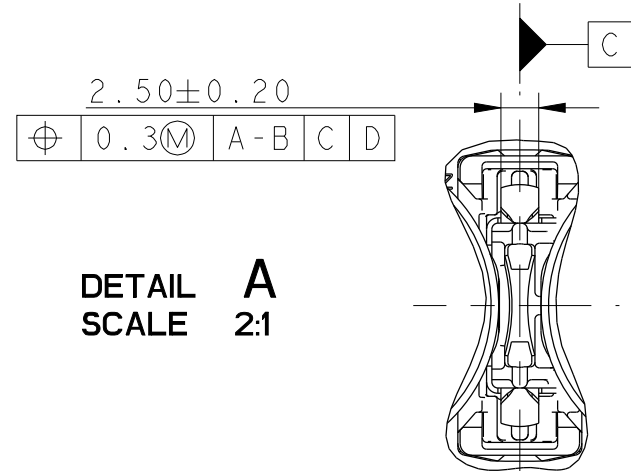
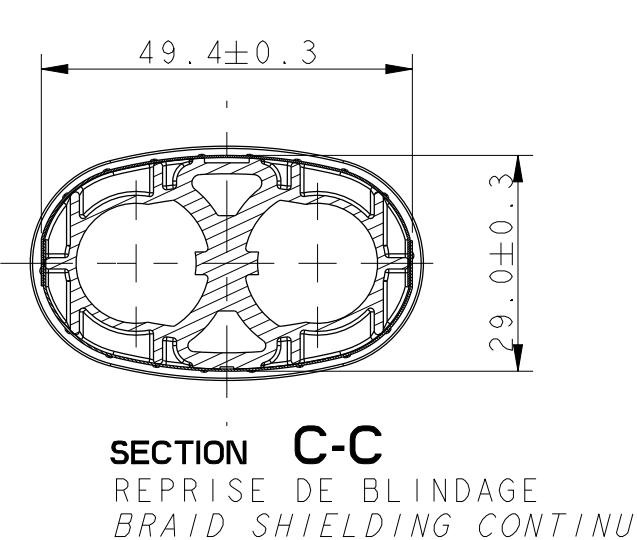
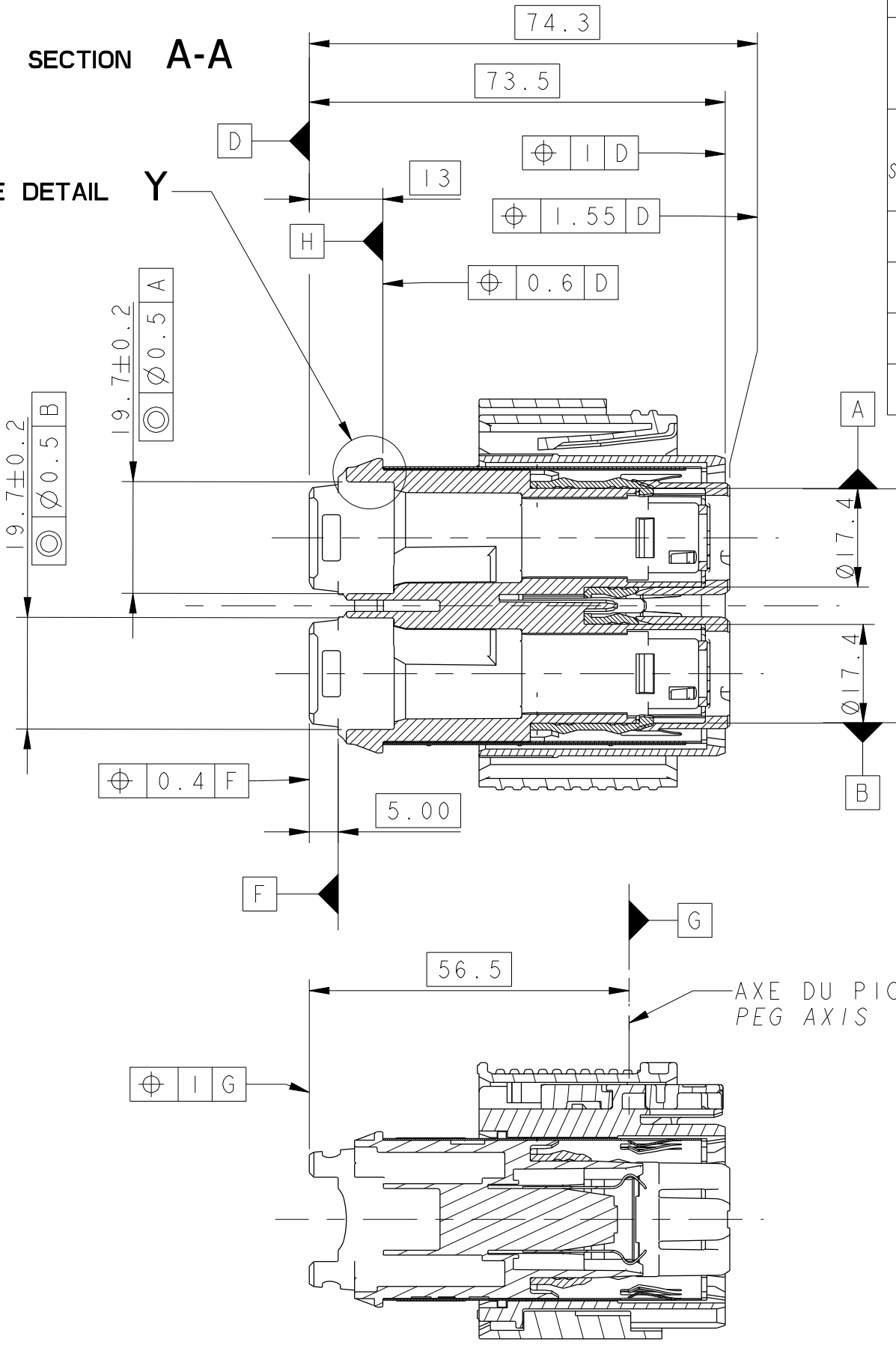
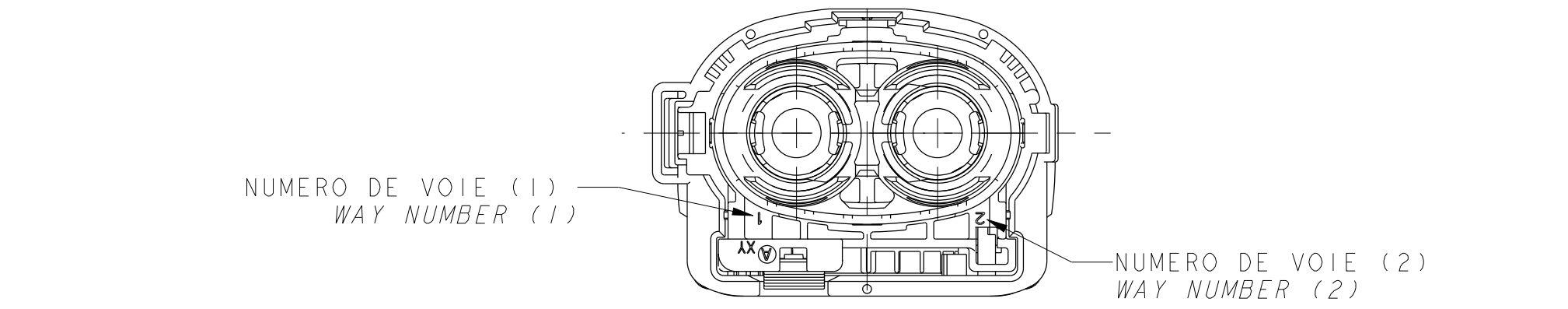
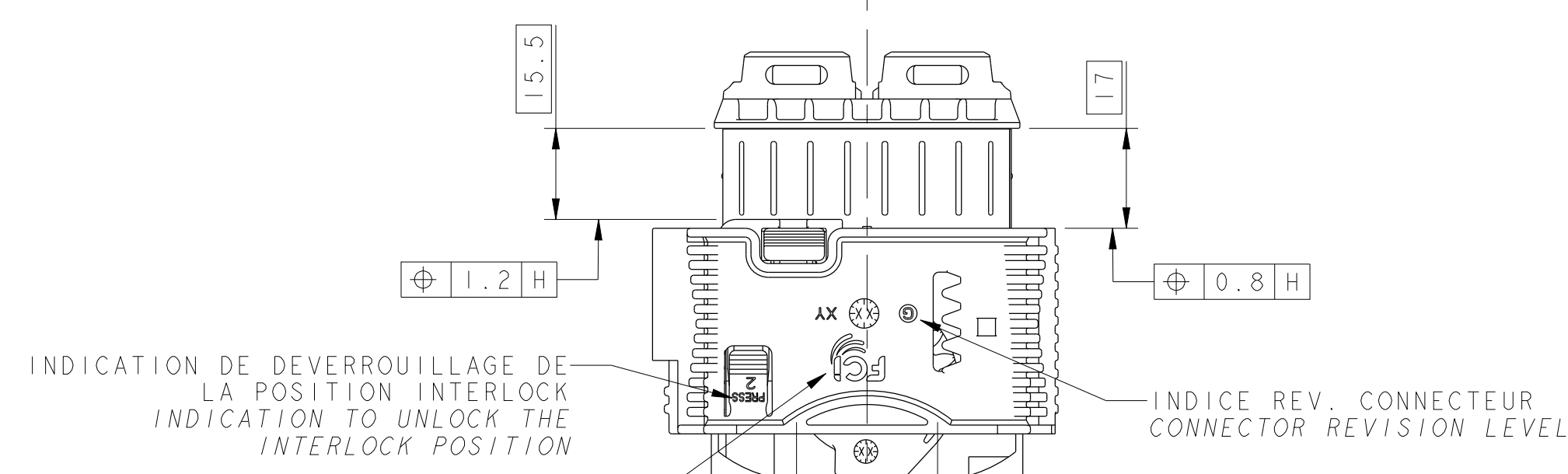
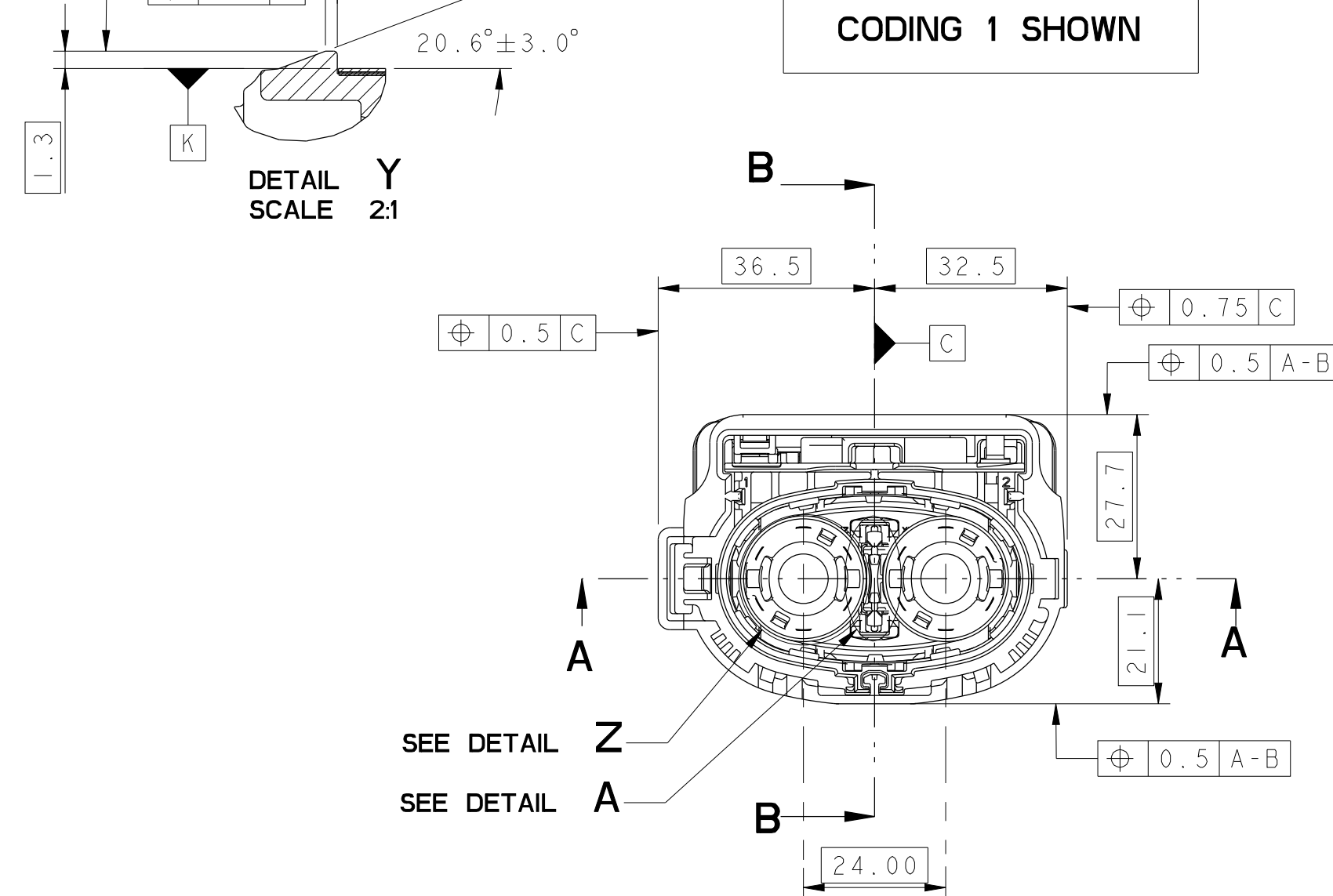
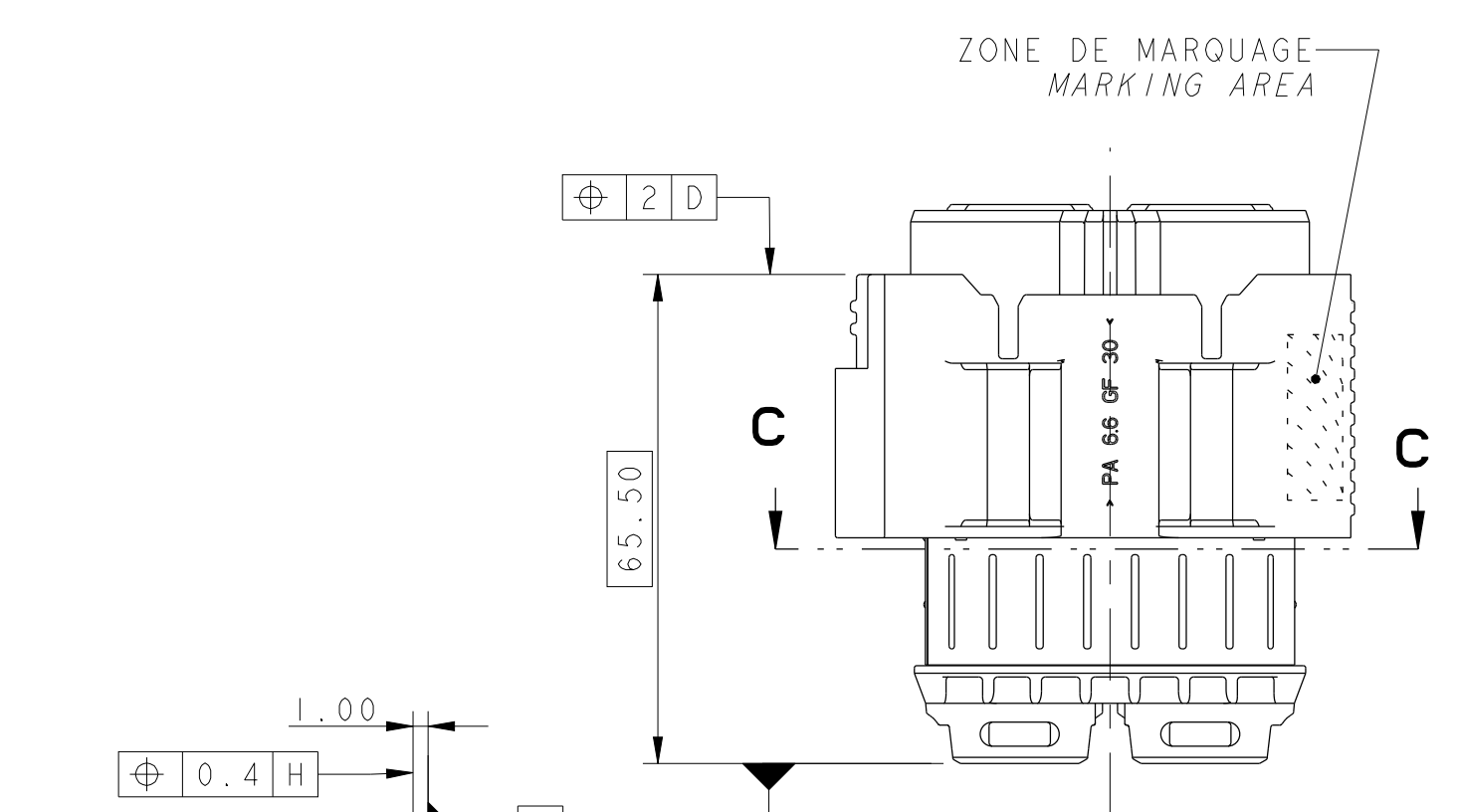


DETAIL ALVEOLE 8mm  
8mm DETAIL CAVITY



SHUNT DORE SUR SON  
POINT DE CONTACT  
GOLD PLATED SHORTING BAR  
ON ITS CONTACT POINT



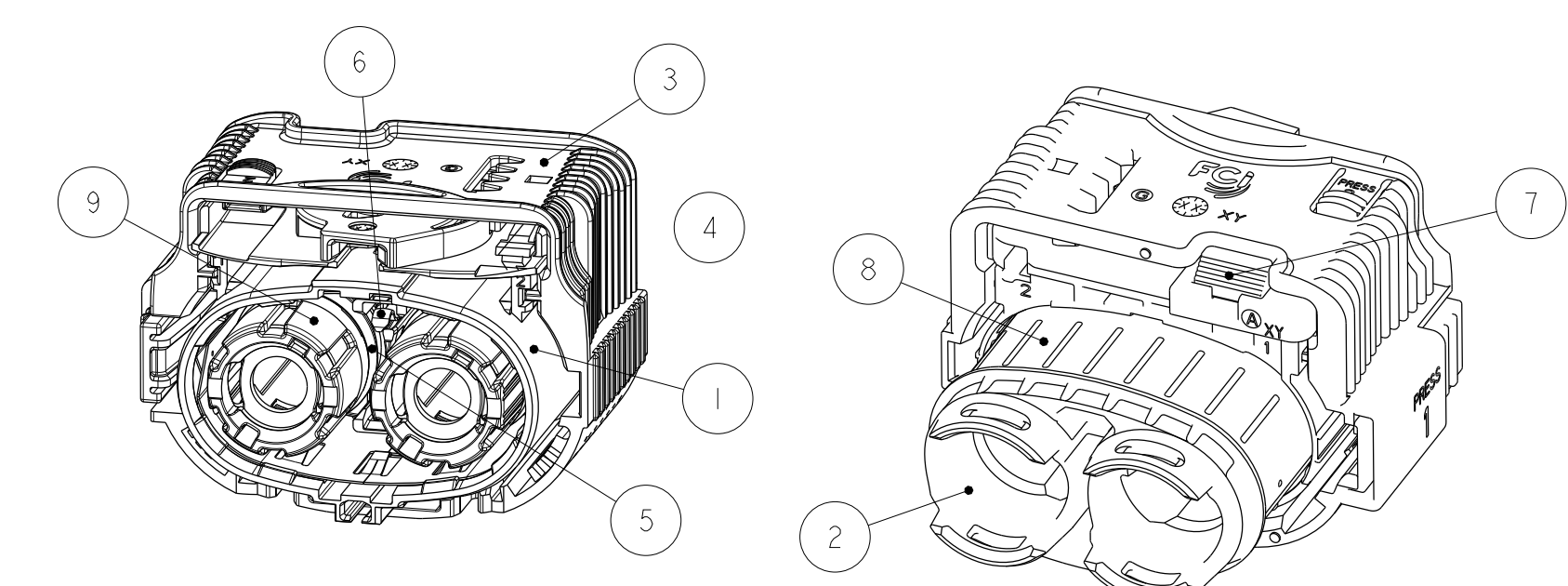
SECTION C-C  
REPRISE DE BLINDAGE  
BRAID SHIELDING CONTINUITY

NOTE :  
LA REFERENCE C EST DEFINIE AU MILIEU DU SEGMENT [AB] NORMALE A LA REFERENCE [A-B]  
THE REFERENCE C IS DEFINED IN THE MIDDLE OF THE SEGMENT [AB] NORMAL TO THE REFERENCE [A-B]

REFERENCE MVL / MVL PART-N°	F673110 REVISION G	F773110 REVISION G	A DEFINIR TO BE DEFINED
REFERENCE DELPHI / DELPHI PART-N°	13974469 REVISION 01	33511761 REVISION 01	-
CODAGE MECANIQUE=COULEUR DE L'ETRIER MECHANICAL KEY= SLIDER COLOR	CODAGE 1 (NOIR) KEY 1 (BLACK)	CODAGE 2 (MARRON) KEY 2 (BROWN)	CODAGE 3 (GRIS) KEY 3 (GREY)
IDENTIFIANT IMDS IMDS ID	212991463	213010992	A DEFINIR TO BE DEFINED
SUIVANT VUE DE FACE ±0.25 ; ±2° FOLLOWING FRONT VIEW ±0.25 ; ±2°			

	REFERENCE MVL / MVL PART-N°	REFERENCE DELPHI / DELPHI PART-N°	SECTION DU FIL / WIRE SECTION	DIAMETRE EXTERNE DU FIL / EXTERNAL WIRE DIAMETER	REFERENCE MVL / MVL PART-N°	REFERENCE DELPHI / DELPHI PART-N°	COULEUR / COLOR
CLIPS RCS800 ARGENTE SILVER RCS800 FEMALE TERMINAL	F385400	13893887	35²	10 MIN - 11 MAX1	F427600	13893888	NOIR BLACK
GRILLE ARRIERE SWS RETAINER	F527600		50²	11.9 MIN - 12.9 MAX1	F327600	13923559	GRIS GREY
EMBASE 2V RCS800 V2 CODE1 2W RCS800 V2 CODE1 HEADER	F473110						
EMBASE 2V RCS800 V2 CODE2 2W RCS800 V2 CODE2 HEADER	F573110						
EMBASE 2V RCS800 V2 CODE3 2W RCS800 V2 CODE3 HEADER	A DEFINIR TO BE DEFINED						

REPERE	DESIGNATION TITLE	COULEUR COLOR	MATIERE MATERIAL	QUANTITE QUANTITY
1	BOITIER EXTERNE OUTER HOUSING	ORANGE ORANGE	PBT 15% FV PBT GF 15	1
2	BOITIER INTERNE INNER HOUSING	ORANGE ORANGE	PBT 15% FV PBT GF 15	1
3	ETRIER SLIDER DEVICE		PA6.6 30% FV PA6.6 GF 30	1
4	CAME ROTATIVE GEAR CAM	NOIR BLACK	PA6.6 30% FV PA6.6 GF 30	1
5	JOINT INTERFACIAL INTERFACIAL SEAL	GRIS GREY	SILICONE LSR LSR SILICON	1
6	SHUNT SHORTING BAR	-	ACIER INOXYDABLE STAINLESS STEEL	1
7	CPA CPA	BLEU BLUE	PA6.6 30% FV PA6.6 GF 30	1
8	BLINDAGE SHIELD PLUG	-	ALLIAGE DE CUIVRE COPPER ALLOY	2
9	CAPUCHON DE PROTECTION PROTECTIVE CAP	NOIR BLACK	PA6.6 30% FV PA6.6 GF 30	2



NOTAS :

- CAHIER DES CHARGES MVL : FE PS 10 008  
 - CLASSE DE TEMPERATURE DU CONNECTEUR : CLASSE 3 (-40°C ; +125°C)  
 - CLASSE DE VIBRATION :  
   - PRECONDITIONNEMENT  
   - VIBRATION 3x 16H (COMBINE AVEC TEMPERATURE -40°C / +125°C) ; 3.9g  
 - CLASSE D'ETANCHEITE :  
   - 1000mb INITIAL  
   - 500mb APRES LES TESTS D'ENVIRONNEMENT  
   - EFFORT D'ACCOUPLMENT : F<80N
- CONDITIONNEMENT : FE PA 10 003
- DOSSIER DE MISE EN OEUVRE : PUI38
- MASSE DU PRODUIT : 0.097 kg ±10%
- CE PLAN EST UN EXTRAIT DU PLAN DE DEFINITION.  
ON FERA REFERENCE POUR TOUT LITIGE AUX PLANS DE DEFINITION.
- PLAN D'EMBASE / INTERFACE: PCC0732944

NOTES:

- MVL SPECIFICATIONS: FE PS 10 008  
 - TEMPERATURE CLASS OF THE CONNECTOR : CLASS 3 (-40°C ; +125°C)  
 - VIBRATION CLASS:  
   - PRECONDITIONNING  
   - VIBRATION 3x 16H (COMBINED WITH TEMPERATURE -40°C / +125°C) ; 3.9g  
 - SEALING CLASS:  
   - 1000mb INITIAL  
   - 500mb AFTER TEST ENVIRONMENT  
   - MATING FORCE : F<80N
- PACKAGING : FE PA 10 003
- HANDLING MANUAL : PUI38
- MASS OF THE PRODUCT : 0.097 kg ±10%
- THIS DRAWING IS AN EXTRACT OF THE DETAILS DRAWINGS.  
IN CASE OF CONFLICT, REFER TO THEM.
- HEADER / INTERFACE DRAWING: PCC0732944

DELPHI PACKARD ELECTRICAL/ELECTRONIC ARCHITECTURE  
 150 PROJECTION  
 DRAWING NUMBER  
 REF. PLAN  
 2W POWER RCS800 PLUG V2  
 2W POWER RCS800 V2  
 PCC0732943

DATE: 20150904  
 AUTHOR: [unclear]  
 CHECKED BY: [unclear]  
 APPROVED BY: [unclear]  
 FILE NAME: [unclear]

DELPHI P/N ADDED

SCALE: 1:1

单击下面可查看定价，库存，交付和生命周期等信息

[>>FCI / Amphenol ICC](#)