

Round Type 2R Light Touch Switches

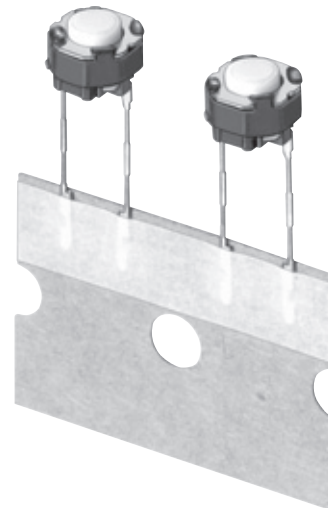
Type: **EVQ11**

■ Features

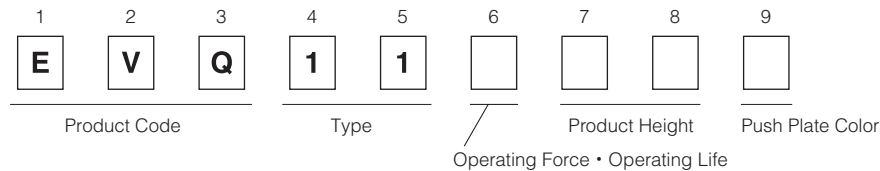
- External dimensions : 6.0 mm×6.0 mm, Height 3.9 mm (Excluding the push plate)
- The cast-processed terminals improve the mountability

■ Recommended Applications

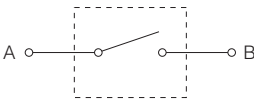
- Operating switches for electronic equipment



■ Explanation of Part Numbers



■ Specifications

Type	Snap action/Push-on type SPST	
Electrical	Circuit Diagram	
	Rating	10 μA 2 V DC to 20 mA 15 V DC (Resistive load)
	Contact Resistance	50 mΩ max.
	Insulation Resistance	50 MΩ min. (at 100 V DC)
	Dielectric Withstanding Voltage	250 V AC for 1 minute
	Bouncing	3 ms max. (ON) 8 ms max. (OFF)
Mechanical	Operating Force	1.0 N±0.4 N 1.3 N±0.4 N 1.6 N±0.5 N 2.6 N±0.6 N
	Travel	0.25 mm±0.10 mm
Endurance	Operating Life	100,000 cycles min.* 50,000 cycles min.
Operating Temperature		-20 °C to +70 °C
Storage Temperature		-40 °C to +85 °C (Bulk) -20 °C to +40 °C (Taping)
Minimum Quantity/Packing Unit		2,500 pcs. Radial Taping (Reel Pack)
Quantity/Carton		25,000 pcs.

* 1 million cycles also available, consult our salesmen.

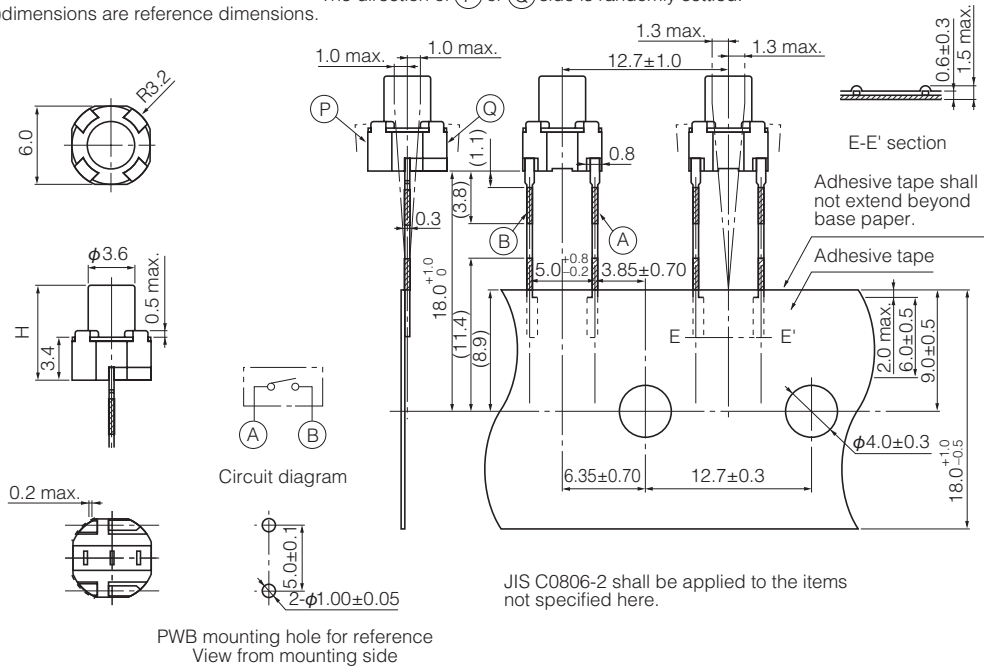
Design and specifications are each subject to change without notice. Ask factory for the current technical specifications before purchase and/or use. Should a safety concern arise regarding this product, please be sure to contact us immediately.

■ Dimensions in mm (not to scale)

EVQ11

General dimension tolerance : ± 0.2 The direction of (P) or (Q) side is randomly settled.
 () dimensions are reference dimensions.

(Radial Taping)



Part Numbers	Operating Force	H=Height	Push Plate Color	Operating Life
EVQ11A04M	1.0N	4.3 mm	White	100,000 cycles
EVQ11A05R	1.0N	5.0 mm	Red	100,000 cycles
EVQ11A07K	1.0N	7.0 mm	Black	100,000 cycles
EVQ11A09K	1.0N	9.5 mm	Black	100,000 cycles
EVQ11D04K	1.0N	4.3 mm	Black	1,000,000 cycles
EVQ11D05B	1.0N	5.0 mm	Blue	1,000,000 cycles
EVQ11D07K	1.0N	7.0 mm	Black	1,000,000 cycles
EVQ11D09K	1.0N	9.5 mm	Black	1,000,000 cycles
EVQ11G04M	1.3N	4.3 mm	White	100,000 cycles
EVQ11G05R	1.3N	5.0 mm	Red	100,000 cycles
EVQ11G07K	1.3N	7.0 mm	Black	100,000 cycles
EVQ11G09K	1.3N	9.5 mm	Black	100,000 cycles
EVQ11K04K	1.3N	4.3 mm	Black	1,000,000 cycles
EVQ11K05B	1.3N	5.0 mm	Blue	1,000,000 cycles
EVQ11K07K	1.3N	7.0 mm	Black	1,000,000 cycles
EVQ11K09K	1.3N	9.5 mm	Black	1,000,000 cycles
EVQ11L04M	1.6N	4.3 mm	White	100,000 cycles
EVQ11L05R	1.6N	5.0 mm	Red	100,000 cycles
EVQ11L07K	1.6N	7.0 mm	Black	100,000 cycles
EVQ11L09K	1.6N	9.5 mm	Black	100,000 cycles
EVQ11Y04K	1.6N	4.3 mm	Black	1,000,000 cycles
EVQ11Y05B	1.6N	5.0 mm	Blue	1,000,000 cycles
EVQ11Y07K	1.6N	7.0 mm	Black	1,000,000 cycles
EVQ11Y09K	1.6N	9.5 mm	Black	1,000,000 cycles
EVQ11U04M	2.6N	4.3 mm	White	50,000 cycles
EVQ11U05R	2.6N	5.0 mm	Red	50,000 cycles
EVQ11U07K	2.6N	7.0 mm	Black	50,000 cycles
EVQ11U09K	2.6N	9.5 mm	Black	50,000 cycles
EVQ11V04K	2.6N	4.3 mm	Black	100,000 cycles
EVQ11V05B	2.6N	5.0 mm	Blue	100,000 cycles
EVQ11V07K	2.6N	7.0 mm	Black	100,000 cycles
EVQ11V09K	2.6N	9.5 mm	Black	100,000 cycles

Design and specifications are each subject to change without notice. Ask factory for the current technical specifications before purchase and/or use.
 Should a safety concern arise regarding this product, please be sure to contact us immediately.

单击下面可查看定价，库存，交付和生命周期等信息

[>>Panasonic\(松下\)](#)