

### Features

- Exceeds Requirements of EIA-485 Standard
- Hot Plug Circuitry - Tx and Rx Outputs Remain Three-State During Power-up/Power-down
- Supply voltage: 3.0 V ~ 5.5 V
- Data Rate: 20 Mbps isolated RS485
- Full Fail-safe Receiver (Open, Short, Terminated)
- 5 kV<sub>RMS</sub> Isolation Rating
- ±200 kV/μs typ static CMTI, ±150 kV/μs typ dynamic CMTI
- Latch-Up performance exceeds 600 mA
- Bus-Pin Protection (Between Bus pins and GNDB)
  - ±15 kV IEC 61000-4-2 Contact Discharge
  - ±18 kV IEC 61000-4-2 Air Discharge
- Safety-Related Certifications:
  - VDE Certification according to DIN VDE V 0884-17(IEC60747-17)
  - 5000V<sub>RMS</sub> (WSOP16, WSOP8), 3750V<sub>RMS</sub> (SOP8) Isolation Rating per UL 1577
  - CQC Certification per GB 4943.1
  - CAS, TUV and CB certifications

### Applications

- Home Appliance
- Motor Drives
- Industrial Control
- Communication Infrastructure

### Description

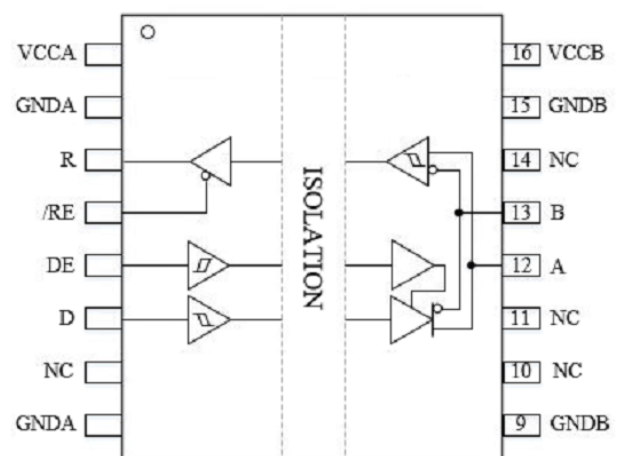
The TPT7481 is a ±15 kV IEC61000 ESD protected, 3.0 V ~ 5.5 V isolated RS485 transceivers that meet the RS-485 and RS-422 standards for Half Duplex communication. The TPT7482 is isolated Full Duplex RS485.

The TPT748x features a fail-safe receiver, which support the output of the receiver to be logic high when the differential input (bus pin A/B) of the receiver is open, short or idle.

Transmitters in this family deliver exceptional differential output voltages into the RS-485 required 54 Ω load. The 20 Mbps device has very low bus currents so they present a true “1/8 unit load” to the RS-485 bus. This allows up to 256 transceivers on the network without using repeaters. Receiver (Rx) inputs feature a “Full Fail-Safe” design, which ensures a logic high Rx output if Rx inputs are floating, shorted, or on a terminated but undriven bus.

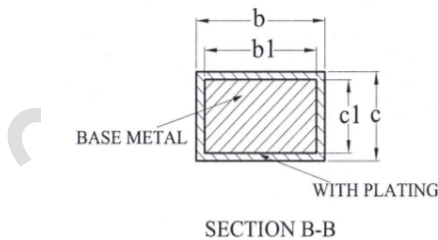
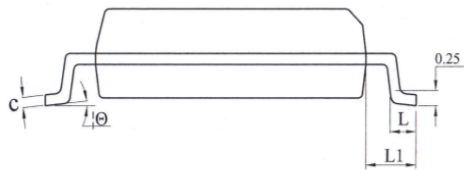
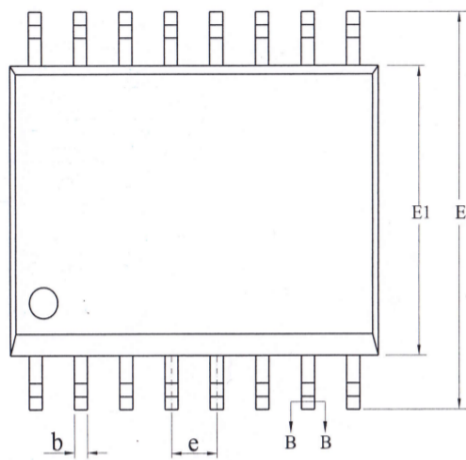
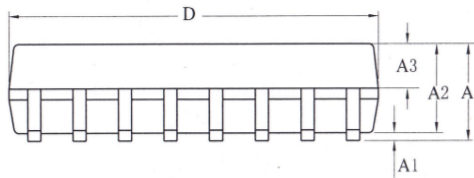
The TPT748x is available in WSOP-16 package and is characterized from -40°C to +125°C.

### Functional Block Diagram

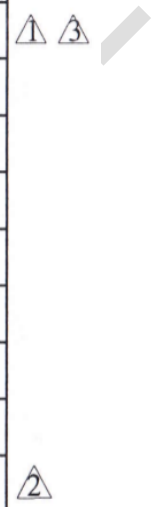


Package Outline Dimensions

SOBR (WSOP16)



SYMBOL	MILLIMETER		
	MIN	NOM	MAX
A	—	—	2.65
A1	0.10	—	0.30
A2	2.25	2.30	2.35
A3	0.97	1.02	1.07
b	0.35	—	0.44
b1	0.34	0.37	0.39
c	0.25	—	0.31
c1	0.24	0.25	0.26
D	10.10	10.30	10.50
E	10.26	10.41	10.60
E1	7.30	7.50	7.70
e	1.27BSC		
L	0.55	—	0.85
L1	1.40BSC		
θ	0	—	8°



## Order Information

Order Number	Operating Temperature Range	Package	Marking Information	MSL	Transport Media, Quantity	Eco Plan
TPT7481-SOBR	-40 to 125°C	16-Pin WSOP	T7481	MSL3	Tape and Reel, 1500	Green
TPT7482-SOBR	-40 to 125°C	16-Pin WSOP	T7482	MSL3	Tape and Reel, 1500	Green

(1). Green: 3PEAK defines "Green" to mean RoHS compatible and free of halogen substances.

 **3PEAK and the 3PEAK logo are registered trademarks of 3PEAK INCORPORATED. All other trademarks are the property of their respective owners.**

单击下面可查看定价，库存，交付和生命周期等信息

[>>3PEAK\(思瑞浦\)](#)