

## Features

- Analog Switch Voltage: 3.3V, 5V, 10V,  $\pm 5V$
- Low ON-State Resistance:
  - typical 50 $\Omega$  at  $V_s = \pm 4.5V$  or 9V
  - typical 60 $\Omega$  at  $V_s = 4.5V$
  - typical 300 $\Omega$  at  $V_s = 3V$
- Bandwidth: 200 MHz
- Fast switching times:  $t_{ON} = 60ns$ ,  $t_{OFF} = 50ns$
- Break-Before-Make Switching
- Operation Temperature Range:  $-40^{\circ}C$  to  $125^{\circ}C$

## Applications

- Industry control systems
- Battery-powered systems
- Audio Signal Routing
- Instrumentation

## Description

The TPW4051 is a single-pole octal-throw analog switch (SP8T) suitable for use in analog or digital 8:1 multiplexer/demultiplexer applications. The switch features three digital select inputs (S0, S1 and S2), eight independent inputs/outputs (An), a common input/output (A) and a digital enable input (/E). When /E is HIGH, the switches are turned off.

The device is designed on an enhanced process that provides lower power dissipation yet gives high switching speeds. These devices can operate equally well as either multiplexers or demultiplexers and have an input range that extends to the supplies. All channels exhibit break-before-make switching action, preventing momentary shorting when switching channels.

## Switch Selection Guide

Product	Switch Configuration	Supply Voltage(V)	Ron(OHM)	Bandwidth(MHz)	Package
TPW4051	8:1	12	50	200	SOIC-16, TSSOP-16, QFN-16
TPW4052	(4:1)*2	12	50	200	SOIC-16, TSSOP-16
TPW4053	(2:1)*3	12	50	200	SOIC-16, TSSOP-16
TPW3111	1:1	5.5	1	100	SC70-6
TPW3115	1:1	5.5	5	250	SC70-6, SOT23-6
TPW4157	2:1	5.5	1	100	SC70-6
TPW3157A	2:1	5.5	2	100	SC70-6
TPW3221	(2:1)*2	5.5	1	100	MSOP-10
TPW3223	(2:1)*2	5.5	1	100	QFN-10, 1.4*1.8mm

## Table of Contents

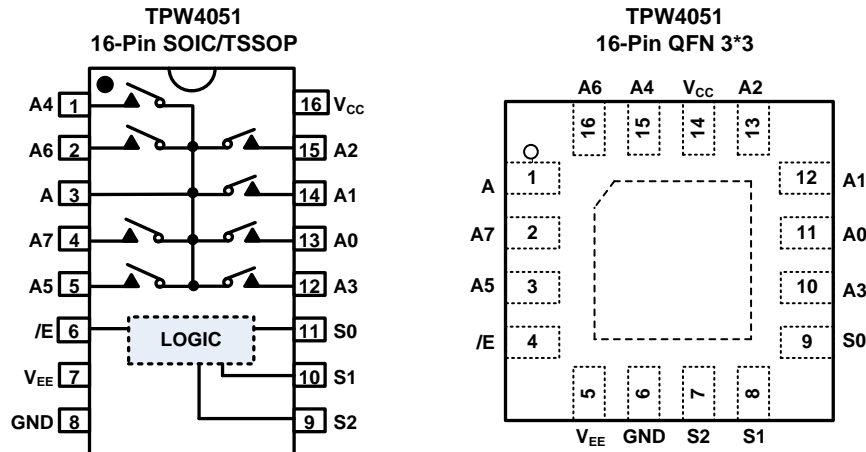
Features .....	1
Applications.....	1
Description.....	1
Switch Selection Guide .....	1
Table of Contents .....	2
Revision History .....	3
Order Information.....	3
Pin Configuration, Description and Functional Table <sup>Note 1</sup> .....	4
TPW4051 .....	4
Absolute Maximum Ratings <sup>Note 1</sup> .....	6
ESD Rating.....	6
Thermal Information .....	6
Recommended Operating Conditions <sup>Note 1</sup> .....	6
Electrical Characteristics .....	7
Single Supply, $V_{CC} = 4.5$ to $5.5V$ , $V_{EE} = 0V$ , $GND = 0V$ , unless otherwise noted.....	7
Single Supply, $V_{CC} = 3$ to $3.6V$ , $V_{EE} = 0V$ , $GND = 0V$ , unless otherwise noted. ....	8
Single Supply, $V_{CC} = 9V$ to $11V$ , $V_{EE} = 0V$ , $GND = 0V$ , unless otherwise noted. ....	9
Dual Supply, $V_{CC} = 4.5$ to $5.5V$ , $V_{EE} = -4.5$ to $5.5V$ , $GND = 0V$ , unless otherwise noted. ....	10
Typical Performance Characteristics .....	11
Test Circuit and Waveforms .....	12
Application Information.....	13
Tape and Reel Information .....	14
Package Outline Dimensions.....	15
SOIC-16 .....	15
TSSOP-16.....	15
QFN-16 .....	16

## Revision History

Date	Revision	Notes
2018/8/8	Rev.Pre	Pre-Release Version
2019/3/4	Rev.0	Initial Version
2019/10/2	Rev.0.01	HBM: 2KV -> 1KV

## Order Information

Order Number	Operating Temperature Range	Package	Marking Information	MSL	Transport Media, Quantity
TPW4051-SR	-40 to 125°C	16-Pin SOIC	W4051	3	Tape and Reel, 2500
TPW4051-TR	-40 to 125°C	16-Pin TSSOP	W4051	3	Tape and Reel, 3000
TPW4051-QF4R	-40 to 125°C	16-Pin QFN 3*3	W4051	3	Tape and Reel, 3000

**Pin Configuration, Description and Functional Table** Note 1
**TPW4051**

**Pin Description of SOIC and TSSOP**

Pin No.	Pin Name	Input / Output	Description	Pin No.	Pin Name	Input / Output	Description
1	A4	Input / Output	Channel 4 input or output	9	S2	Input	Control Input
2	A6	Input / Output	Channel 6 input or output	10	S1	Input	Control Input
3	A	Input / Output	Common input or output	11	S0	Input	Control Input
4	A7	Input / Output	Channel 7 input or output	12	A3	Input / Output	Channel 3 input or output
5	A5	Input / Output	Channel 5 input or output	13	A0	Input / Output	Channel 0 input or output
6	/E	Input	Enable switches, active low	14	A1	Input / Output	Channel 1 input or output
7	V <sub>EE</sub>		Negative Power Input	15	A2	Input / Output	Channel 2 input or output
8	GND		Ground	16	V <sub>CC</sub>		Positive Power Input

**Pin Description of QFN**

Pin No.	Pin Name	Input / Output	Description	Pin No.	Pin Name	Input / Output	Description
1	A	Input / Output	Common input or output	9	S0	Input	Control Input
2	A7	Input / Output	Channel 7 input or output	10	A3	Input / Output	Channel 3 input or output
3	A5	Input / Output	Channel 5 input or output	11	A0	Input / Output	Channel 0 input or output
4	/E	Input	Enable switches, active low	12	A1	Input / Output	Channel 1 input or output
5	V <sub>EE</sub>		Negative Power Input	13	A2	Input / Output	Channel 2 input or output
6	GND		Ground	14	V <sub>CC</sub>		Positive Power Input
7	S2	Input	Control Input	15	A4	Input / Output	Channel 4 input or output
8	S1	Input	Control Input	16	A6	Input / Output	Channel 6 input or output

**Functional Table**

/E, Enable	S2	S1	S0	ON Channel
L	L	L	L	A0
L	L	L	H	A1
L	L	H	L	A2

**12V General Purpose Analog Switch**

L	L	H	H	A3
L	H	L	L	A4
L	H	L	H	A5
L	H	H	L	A6
L	H	H	H	A7
H	X	X	X	None

X = Don't care

## Absolute Maximum Ratings <sup>Note 1</sup>

Parameters	Rating
Supply Voltage, $V_{CC} - V_{EE}$	-0.5V to 13V
Supply Voltage, $V_{CC} - GND$	-0.5V to 13V
Supply Voltage, $V_{EE} - GND$	-6.5V to 0.5V
Analog Switch Voltage	$V_{EE} - 0.5V$ to $V_{CC} + 0.5V$
Analog Switch Current	$\pm 25mA$
Analog Switch Diode Current	$\pm 20mA$
Digital Input Voltage, /E, S2, S1, S0	GND to $V_{CC} + 0.5V$
Digital Input Diode Current	$\pm 20mA$
Maximum Junction Temperature	150°C
Storage Temperature Range	-65 to 150°C
Lead Temperature (Soldering, 10 sec)	260°C

Note 1: Stresses beyond those listed under Absolute Maximum Ratings may cause permanent damage to the device. Exposure to any Absolute Maximum Rating condition for extended periods may affect device reliability and lifetime.

## ESD Rating

Symbol	Parameter	Condition	Minimum Level	Unit
HBM	Human Body Model ESD	ANSI/ESDA/JEDEC JS-001	1	kV
CDM	Charged Device Model ESD	ANSI/ESDA/JEDEC JS-002	1	kV

## Thermal Information

Package Type	$\theta_{JA}$	$\theta_{JC}$	Unit
16-Pin SOIC	100	50	°C/W
16-Pin TSSOP	150	60	°C/W

## Recommended Operating Conditions <sup>Note 1</sup>

Over operating temperature range

Parameters	Min	Max	Unit
Supply Voltage, $V_{CC} - V_{EE}$	3	12	V
Supply Voltage, $V_{CC} - GND$ <sup>Note2</sup>	3	12	V
Supply Voltage, $V_{EE} - GND$ <sup>Note2</sup>	-6	0	V
Select Input Voltage	0	$V_{CC}$	V
Input Transition Rise and Fall Rate		100	ns/V
Switch I/O Port Voltage	$V_{EE}$	$V_{CC}$	V
Operating Temperature Range	-40	125	°C

Note 1: Select input must be held HIGH or LOW and it must not float.

Note 2: The voltage of  $V_{CC}$ ,  $V_{EE}$  need be in the range of  $V_{CC}-V_{EE}$

## Electrical Characteristics

Single Supply,  $V_{CC} = 4.5$  to  $5.5V$ ,  $V_{EE} = 0V$ ,  $GND = 0V$ , unless otherwise noted.

Symbol	Parameter	Conditions	$V_{CC}$ (V)	25°C	-40°C to 85°C	-40°C to 125°C	Limit	Unit
<b>Power Supply</b>								
$I_{CC}$	Quiescent Supply Current	$V_{IN} = 0V$ or $V_{CC}$	5.5	4	6	8	Max	$\mu A$
<b>Digital Input</b>								
$V_{IH}$	Input Voltage High				2.0	2.0	Min	V
$V_{IL}$	Input Voltage Low				0.8	0.8	Max	V
$I_{IN}$	Control Input Leakage	$V_{IN} = 0V$ or $V_{CC}$	5.5	$\pm 0.4$	$\pm 1$	$\pm 1$	Max	$\mu A$
<b>Analog Switch</b>								
$R_{ON}$		$I_{OUT} = 1mA$ , $V_{IS} = 0V$ or $V_{CC}$	4.5	60			Typ	$\Omega$
$R_{ON}$		$I_{OUT} = 1mA$ , $V_{IS} = 0V$ or $V_{CC}$	4.5	100	130	150	Max	$\Omega$
$\Delta R_{ON}$	On Resistance Match between Channels	$I_{OUT} = 1mA$ , $V_{IS} = 2.5V$	4.5	20	30	35	Max	$\Omega$
$R_{FLAT(ON)}$	On Resistance Flatness	$I_{OUT} = 1mA$	4.5	60	80	80	Max	$\Omega$
$I_{CH(OFF)}$	Switch OFF Leakage Current on Channel	$V_{IS} = 0V$ , $V_{OS} = V_{CC}$ ; or $V_{IS} = V_{CC}$ , $V_{OS} = 0V$	5.5	$\pm 0.4$	$\pm 1$	$\pm 1$	Max	$\mu A$
$I_{COM(OFF)}$	Switch OFF Leakage Current on Common	$V_{IS} = 0V$ , $V_{OS} = V_{CC}$ ; or $V_{IS} = V_{CC}$ , $V_{OS} = 0V$ ,	5.5	$\pm 0.4$	$\pm 4$	$\pm 4$	Max	$\mu A$
$I_{(ON)}$	Switch ON Leakage Current	$V_{IS} = 0V$ or $V_{CC}$	5.5	$\pm 0.4$	$\pm 4$	$\pm 4$	Max	$\mu A$
<b>Dynamic Characteristics</b>								
$t_{PHL}$ , $t_{PLH}$	Switch IN to OUT time	$C_L = 50pF$	4.5	5			Typ	ns
$t_{ON}$	Switch turn-on time	$C_L = 50pF$	4.5	60			Max	ns
$t_{OFF}$	Switch turn-off time	$C_L = 50pF$	4.5	50			Max	ns
	OFF-Isolation	$f = 1MHz$ , $R_L = 50\Omega$ , $C_L = 10pF$	5	-70			Typ	dB
	Crosstalk in channel	$f = 1MHz$ , $R_L = 50\Omega$ , $C_L = 10pF$	5	-70			Typ	dB
	Crosstalk in control	Between control and any switch; $R_L = 600\Omega$ ; $f = 1MHz$ ; E or Sn square wave between $V_{CC}$ and GND	5	110			Typ	mV
BW	Bandwidth	$R_L = 50\Omega$	5	200			Typ	MHz
THD	Total Harmonic Distortion	$R_L = 10k\Omega$ , $f = 1kHz$	5	0.05			Typ	%
<b>Capacitance</b>								
$C_{IN}$	Switch Input Capacitance		5	5			Typ	pF
$C_{COM}$	Common Output Capacitance		5	25			Typ	pF
$C_{PD}$	Power Dissipation Capacitance		5	50			Typ	pF

**Single Supply,  $V_{CC} = 3$  to  $3.6V$ ,  $V_{EE} = 0V$ ,  $GND = 0V$ , unless otherwise noted.**

Symbol	Parameter	Conditions	$V_{CC}$ (V)	25°C	-40°C to 85°C	-40°C to 125°C	Limit	Unit
<b>Power Supply</b>								
$I_{CC}$	Quiescent Supply Current	$V_{IN} = 0V$ or $V_{CC}$	3.6	4	6	8	Max	$\mu A$
<b>Digital Input</b>								
$V_{IH}$	Input Voltage High				2.0	2.0	Min	V
$V_{IL}$	Input Voltage Low				0.8	0.8	Max	V
$I_{IN}$	Control Input Leakage	$V_{IN} = 0V$ or $V_{CC}$	3.6		$\pm 1$	$\pm 1$	Max	$\mu A$
<b>Analog Switch</b>								
$R_{ON}$		$I_{OUT} = 1mA$ , $V_{IS} = 0V$ or $V_{CC}$	3	300			Typ	$\Omega$
$\Delta R_{ON}$	On Resistance Match between Channels	$I_{OUT} = 1mA$ , $V_{IS} = 3.5V$	3	40			Typ	$\Omega$
$R_{FLAT(ON)}$	On Resistance Flatness	$I_{OUT} = 1mA$	3	100			Typ	$\Omega$
$I_{CH(OFF)}$	Switch OFF Leakage Current on Channel	$V_{IS} = 0V$ , $V_{OS} = V_{CC}$ ; or $V_{IS} = V_{CC}$ , $V_{OS} = 0V$	3.6	$\pm 0.4$	$\pm 1$	$\pm 1$	Max	$\mu A$
$I_{COM(OFF)}$	Switch OFF Leakage Current on Common	$V_{IS} = 0V$ , $V_{OS} = V_{CC}$ ; or $V_{IS} = V_{CC}$ , $V_{OS} = 0V$ ,	3.6	$\pm 0.4$	$\pm 4$	$\pm 4$	Max	$\mu A$
$I_{(ON)}$	Switch ON Leakage Current	$V_{IS} = 0V$ or $V_{CC}$	3.6	$\pm 0.4$	$\pm 4$	$\pm 4$	Max	$\mu A$
<b>Dynamic Characteristics</b>								
$t_{PHL}$ , $t_{PLH}$	Switch IN to OUT time	$C_L = 50pF$	3	5			Typ	ns
$t_{ON}$	Switch turn-on time	$C_L = 50pF$	3	70			Typ	ns
$t_{OFF}$	Switch turn-off time	$C_L = 50pF$	3	60			Typ	ns
	OFF-Isolation	$f = 1MHz$ , $R_L = 50\Omega$ , $C_L = 10pF$	3.3	-70			Typ	dB
	Crosstalk	$f = 1MHz$ , $R_L = 50\Omega$ , $C_L = 10pF$	3.3	-70			Typ	dB
	Crosstalk in control	Between control and any switch; $R_L = 600\Omega$ ; $f = 1MHz$ ; E or Sn square wave between $V_{CC}$ and GND	3.3	110			Typ	mV
BW	Bandwidth	$R_L = 50\Omega$	3.3	100			Typ	MHz
THD	Total Harmonic Distortion	$R_L = 10k\Omega$ , $f = 1kHz$	3.3	0.2			Typ	%
<b>Capacitance</b>								
$C_{IN}$	Switch Input Capacitance		3.3	5			Typ	pF
$C_{COM}$	Common Output Capacitance		3.3	25			Typ	pF
$C_{PD}$	Power Dissipation Capacitance		3.3	50			Typ	pF



**Single Supply,  $V_{CC} = 9V$  to  $11V$ ,  $V_{EE} = 0V$ ,  $GND = 0V$ , unless otherwise noted.**

Symbol	Parameter	Conditions	$V_{CC}$ (V)	25°C	-40°C to 85°C	-40°C to 125°C	Limit	Unit
<b>Power Supply</b>								
$I_{CC}$	Quiescent Supply Current	$V_{IN} = 0V$ or $V_{CC}$	9	8	12	16	Max	$\mu A$
<b>Digital Input</b>								
$V_{IH}$	Input Voltage High				2.4	2.4	Min	V
$V_{IL}$	Input Voltage Low				0.8	0.8	Max	V
$I_{IN}$	Control Input Leakage	$V_{IN} = 0V$ or $V_{CC}$	11	$\pm 0.4$	$\pm 1$	$\pm 1$	Max	$\mu A$
<b>Analog Switch</b>								
$R_{ON}$		$I_{OUT} = 1mA$ , $V_{IS} = 0V$ or $V_{CC}$	9	50			Typ	$\Omega$
$R_{ON}$		$I_{OUT} = 1mA$ , $V_{IS} = 0V$ or $V_{CC}$	9	80	95	105	Max	$\Omega$
$\Delta R_{ON}$	On Resistance Match between Channels	$I_{OUT} = 1mA$ , $V_{IS} = 1V$	9	15	25	30	Max	$\Omega$
$R_{FLAT(ON)}$	On Resistance Flatness	$I_{OUT} = 1mA$	9	30	40	40	Max	$\Omega$
$I_{CH(OFF)}$	Switch OFF Leakage Current on Channel	$V_{IS} = 0V$ , $V_{OS} = V_{CC}$ ; or $V_{IS} = V_{CC}$ , $V_{OS} = 0V$	11	$\pm 0.4$	$\pm 1$	$\pm 1$	Max	$\mu A$
$I_{COM(OFF)}$	Switch OFF Leakage Current on Common	$V_{IS} = 0V$ , $V_{OS} = V_{CC}$ ; or $V_{IS} = V_{CC}$ , $V_{OS} = 0V$ ,	11	$\pm 0.4$	$\pm 4$	$\pm 4$	Max	$\mu A$
$I_{(ON)}$	Switch ON Leakage Current	$V_{IS} = 0V$ or $V_{CC}$	11	$\pm 0.4$	$\pm 4$	$\pm 4$	Max	$\mu A$
<b>Dynamic Characteristics</b>								
$t_{PHL}$ , $t_{PLH}$	Switch IN to OUT time	$C_L = 50pF$	9	5			Typ	ns
$t_{ON}$	Switch turn-on time	$C_L = 50pF$	9	60			Max	ns
$t_{OFF}$	Switch turn-off time	$C_L = 50pF$	9	50			Max	ns
	OFF-Isolation	$f = 1MHz$ , $R_L = 50\Omega$ , $C_L = 10pF$	10	-70			Typ	dB
	Crosstalk	$f = 1MHz$ , $R_L = 50\Omega$ , $C_L = 10pF$	10	-70			Typ	dB
	Crosstalk in control	Between control and any switch; $R_L = 600\Omega$ ; $f = 1MHz$ ; E or Sn square wave between $V_{CC}$ and GND	10	220			Typ	mV
BW	Bandwidth	$R_L = 50\Omega$	10	200			Typ	MHz
THD	Total Harmonic Distortion	$R_L = 10k\Omega$ , $f = 1kHz$	10	0.03			Typ	%
<b>Capacitance</b>								
$C_{IN}$	Switch Input Capacitance		10	5			Typ	pF
$C_{COM}$	Common Output Capacitance		10	25			Typ	pF
$C_{PD}$	Power Dissipation Capacitance		10	50			Typ	pF

**Dual Supply,  $V_{CC} = 4.5$  to  $5.5V$ ,  $V_{EE} = -4.5$  to  $5.5V$ ,  $GND = 0V$ , unless otherwise noted.**

Symbol	Parameter	Conditions	$V_{CC}$ $/V_{EE}(V)$	25°C	-40°C to 85°C	-40°C to 125°C	Limit	Unit
<b>Power Supply</b>								
$I_{CC}$	Quiescent Supply Current	$V_{IN} = 0V$ or $V_{CC}$	5.5/-5.5	8	12	16	Max	$\mu A$
<b>Digital Input</b>								
$V_{IH}$	Input Voltage High				70%* $V_{CC}$	70%* $V_{CC}$	Min	V
$V_{IL}$	Input Voltage Low				30%* $V_{CC}$	30%* $V_{CC}$	Max	V
$I_{IN}$	Control Input Leakage	$V_{IN} = 0V$ or $V_{CC}$	5.5/-5.5	$\pm 0.4$	$\pm 1$	$\pm 1$	Max	$\mu A$
<b>Analog Switch</b>								
$R_{ON}$		$I_{OUT} = 1mA$ , $V_{IS} = 0V$ or $V_{CC}$	4.5/-4.5	50			Typ	$\Omega$
$R_{ON}$		$I_{OUT} = 1mA$ , $V_{IS} = 0V$ or $V_{CC}$	4.5/-4.5	80	95	105	Max	$\Omega$
$\Delta R_{ON}$	On Resistance Match between Channels	$I_{OUT} = 1mA$ , $V_{IS} = -3.5V$	4.5/-4.5	15	25	30	Max	$\Omega$
$R_{FLAT(ON)}$	On Resistance Flatness	$I_{OUT} = 1mA$	4.5/-4.5	30	40	40	Max	$\Omega$
$I_{CH(OFF)}$	Switch OFF Leakage Current on Channel	$V_{IS} = 0V$ , $V_{OS} = V_{CC}$ ; or $V_{IS} = V_{CC}$ , $V_{OS} = 0V$	5.5/-5.5	$\pm 0.4$	$\pm 1$	$\pm 1$	Max	$\mu A$
$I_{COM(OFF)}$	Switch OFF Leakage Current on Common	$V_{IS} = 0V$ , $V_{OS} = V_{CC}$ ; or $V_{IS} = V_{CC}$ , $V_{OS} = 0V$	5.5/-5.5	$\pm 0.4$	$\pm 4$	$\pm 4$	Max	$\mu A$
$I_{(ON)}$	Switch ON Leakage Current	$V_{IS} = 0V$ or $V_{CC}$	5.5/-5.5	$\pm 0.4$	$\pm 4$	$\pm 4$	Max	$\mu A$
<b>Dynamic Characteristics</b>								
$t_{PHL}$ , $t_{PLH}$	Switch IN to OUT time	$C_L = 50pF$	4.5/-4.5	5			Typ	ns
$t_{ON}$	Switch turn-on time	$C_L = 50pF$	4.5/-4.5	60			Max	ns
$t_{OFF}$	Switch turn-off time	$C_L = 50pF$	4.5/-4.5	50			Max	ns
	OFF-Isolation	$f = 1MHz$ , $R_L = 50\Omega$ , $C_L = 10pF$	5/-5	-70			Typ	dB
	Crosstalk	$f = 1MHz$ , $R_L = 50\Omega$ , $C_L = 10pF$	5/-5	-70			Typ	dB
	Crosstalk in control	Between control and any switch; $R_L = 600\Omega$ ; $f = 1MHz$ ; E or Sn square wave between $V_{CC}$ and GND	5/-5	220			Typ	mV
BW	Bandwidth	$R_L = 50\Omega$	5/-5	200			Typ	MHz
THD	Total Harmonic Distortion	$R_L = 10k\Omega$ , $f = 1kHz$	5/-5	0.03			Typ	%
<b>Capacitance</b>								
$C_{IN}$	Switch Input Capacitance		5/-5	5			Typ	pF
$C_{COM}$	Common Output Capacitance		5/-5	25			Typ	pF
$C_{PD}$	Power Dissipation Capacitance		5/-5	50			Typ	pF

**Typical Performance Characteristics**

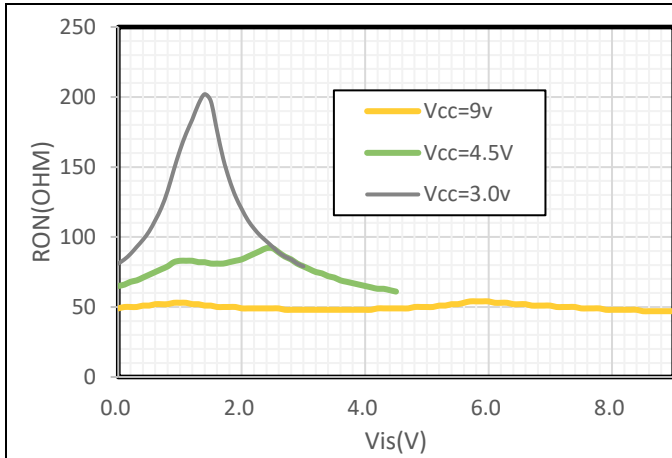


Figure 1. RON vs. Vis

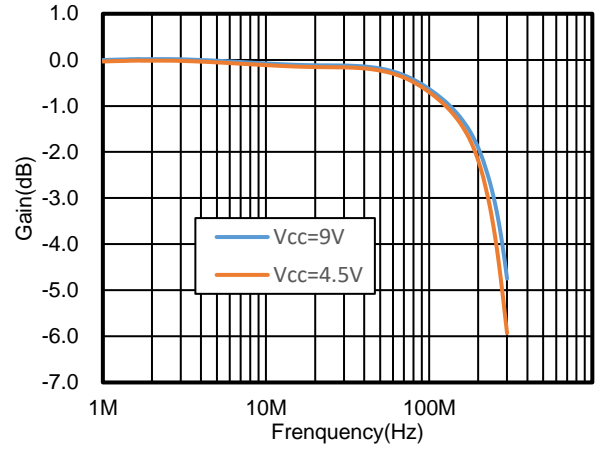
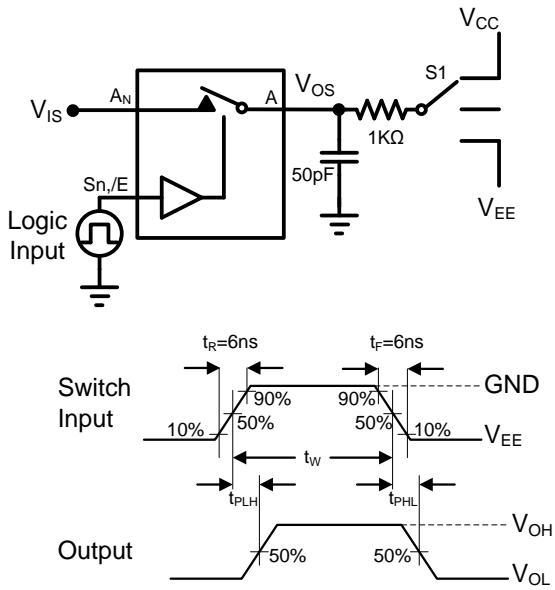


Figure 2. Bandwidth

Test Circuit and Waveforms



Parameter	Vis	S1 Position
$t_{PHL}, t_{PLH}$	Pulse	Open
$t_{PZH}, t_{PHZ}$	V <sub>CC</sub>	V <sub>EE</sub>
$t_{PZL}, t_{PLZ}$	V <sub>EE</sub>	V <sub>CC</sub>

$t_{ON}: t_{PZH}$  OR  $t_{PZL}$   
 $t_{OFF}: t_{PHZ}$  OR  $t_{PHL}$

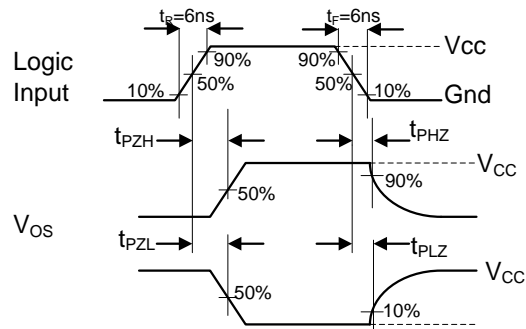


Figure 3 AC Test Circuit and Test Waveforms

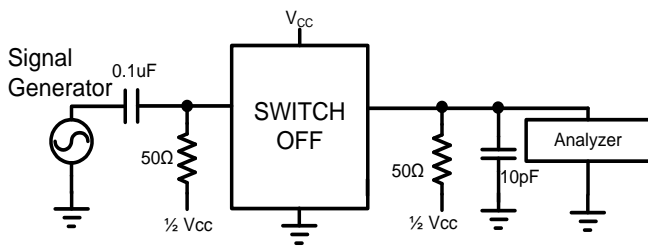


Figure 4 Off Isolation

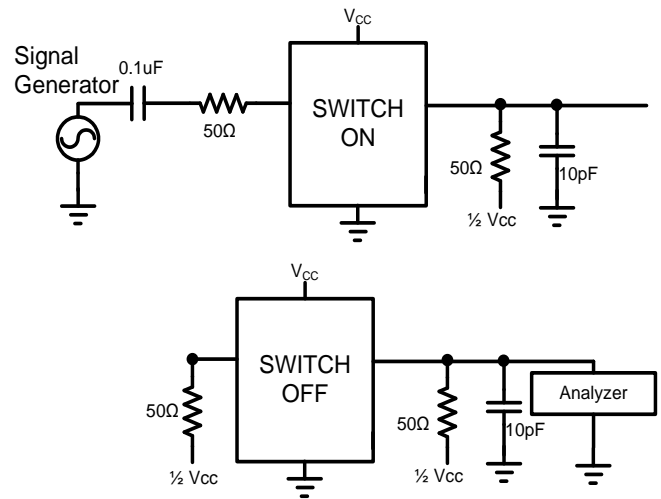
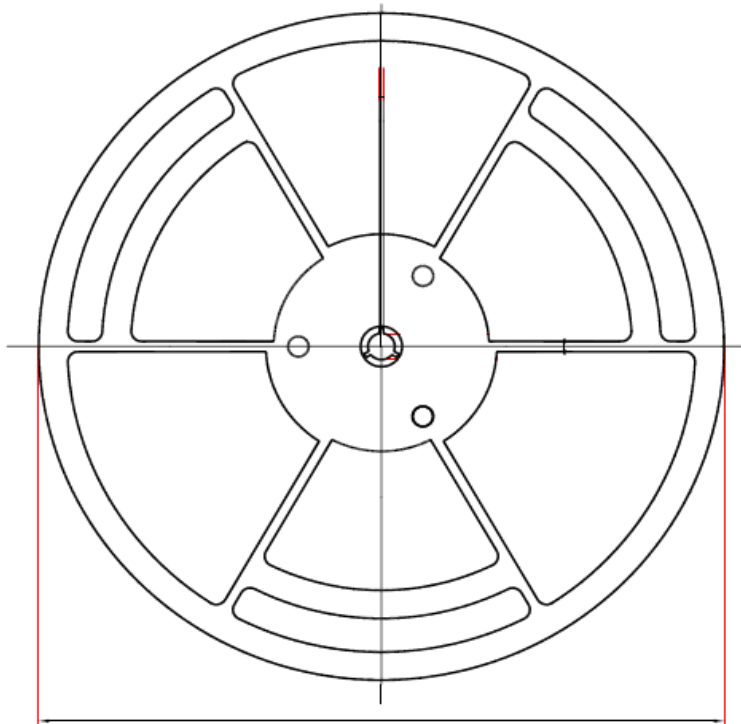


Figure 5 Crosstalk

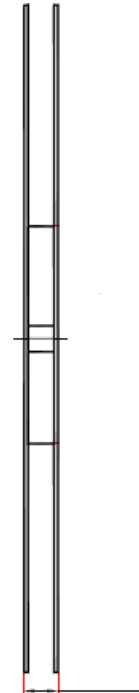
## Application Information

A 0.1- $\mu$ F bypass capacitor on  $V_{CC}$  and GND is recommended to prevent power disturbance, another 0.1- $\mu$ F bypass capacitor on  $V_{EE}$  and GND is also recommended if the  $V_{EE}$  is not connected to GND.

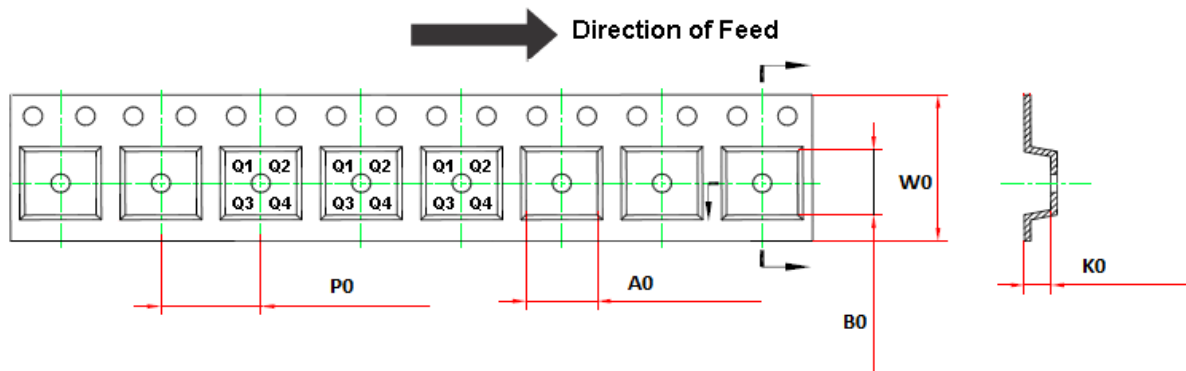
### Tape and Reel Information



D1: Reel Diameter



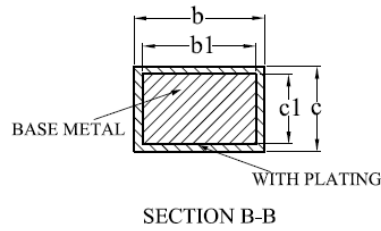
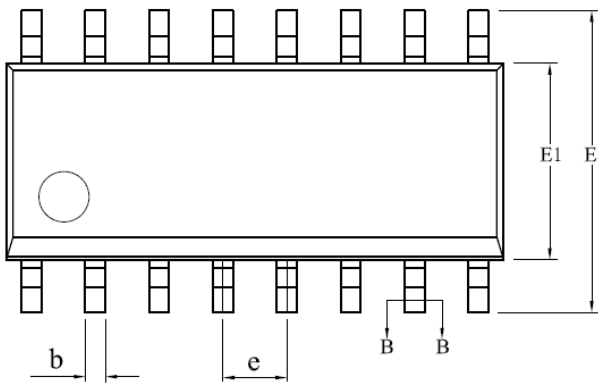
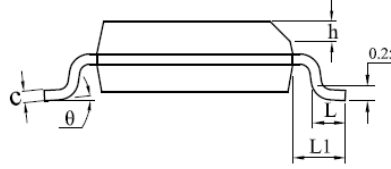
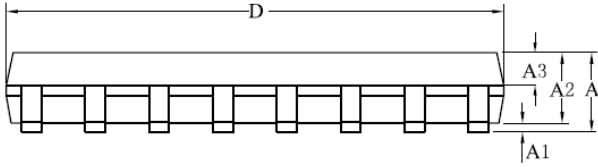
W1: Reel Width



Order Number	Package	D1	W1	A0	B0	K0	P0	W0	Pin1 Quadrant
TPW4051-SR	SOIC-16	330	21.6	6.7±0.1	10.4±0.1	2.1±0.1	8.0±0.1	16.0±0.3	Q1
TPW4051-TR	TSSOP-16	330	17.6	6.8±0.1	5.4±0.1	1.3±0.1	±0.1	12.0±0.1	Q1

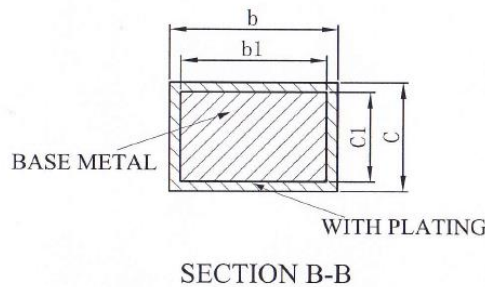
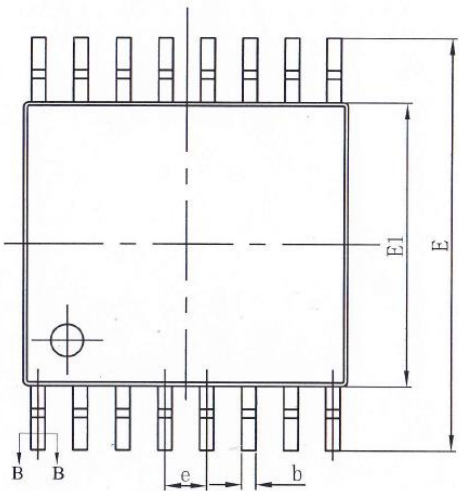
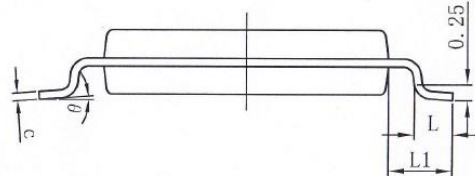
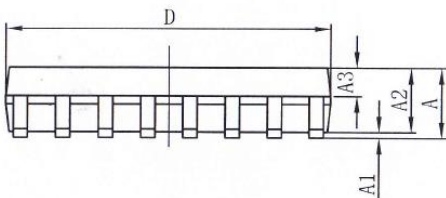
Package Outline Dimensions

SOIC-16



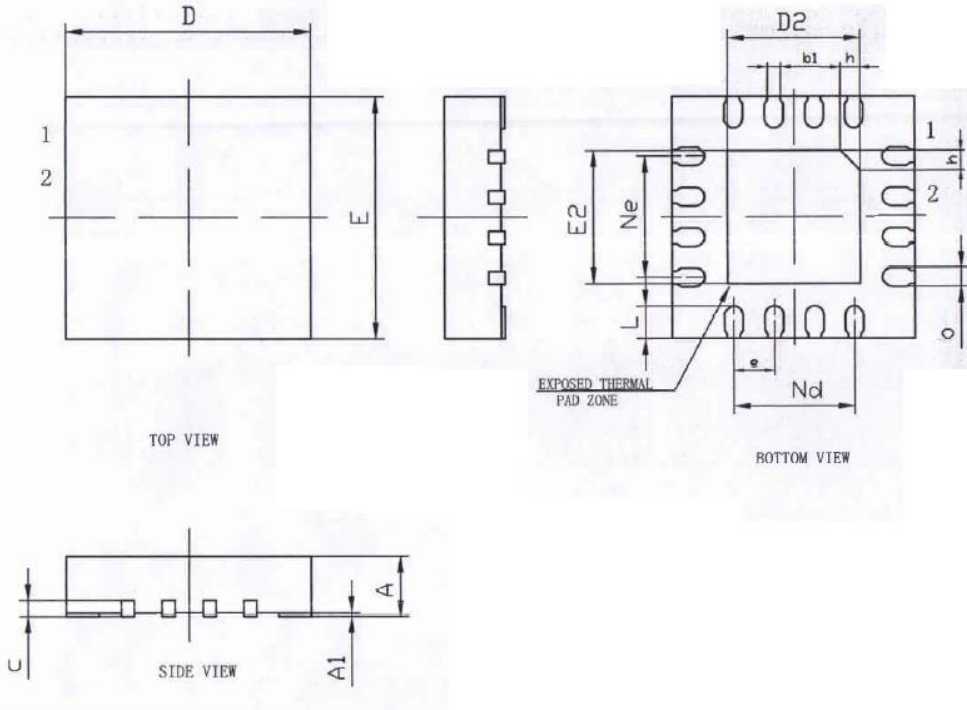
SYMBOL	MILLIMETER		
	MIN	NOM	MAX
A	—	—	1.75
A1	0.10	—	0.225
A2	1.30	1.40	1.50
A3	0.60	0.65	0.70
b	0.39	—	0.47
b1	0.38	0.41	0.44
c	0.20	—	0.24
c1	0.19	0.20	0.21
D	9.80	9.90	10.00
E	5.80	6.00	6.20
E1	3.80	3.90	4.00
e	1.27BSC		
h	0.25	—	0.50
L	0.50	—	0.80
L1	1.05REF		
theta	0	—	8°

TSSOP-16



SYMBOL	MILLIMETER		
	MIN	NOM	MAX
A	—	—	1.20
A1	0.05	—	0.15
A2	0.90	1.00	1.05
A3	0.39	0.44	0.49
b	0.20	—	0.28
b1	0.19	0.22	0.25
c	0.13	—	0.17
c1	0.12	0.13	0.14
D	4.90	5.00	5.10
E	6.20	6.40	6.60
E1	4.30	4.40	4.50
e	0.65BSC		
L	0.45	0.60	0.75
L1	1.00BSC		
theta	0	—	8°

QFN-16



SYMBOL	MILLIMETER		
	MIN	NOM	MAX
A	0.70	0.75	0.80
	0.80	0.85	0.90
A1	0	0.02	0.05
b	0.18	0.25	0.30
b1	0.16REF		
c	0.18	0.20	0.25
D	2.90	3.00	3.10
D2	1.55	1.65	1.75
e	0.50BSC		
Ne	1.50BSC		
Nd	1.50BSC		
E	2.90	3.00	3.10
E2	1.55	1.65	1.75
L	0.35	0.40	0.45
h	0.20	0.25	0.30
L/载体尺寸 (mil)	75x75		



---

 **3PEAK and the 3PEAK logo are registered trademarks of 3PEAK INCORPORATED. All other trademarks are the property of their respective owners.**

---

单击下面可查看定价，库存，交付和生命周期等信息

[>>3PEAK\(思瑞浦\)](#)