

**24-V Input, 180-mA Output  
High Voltage and Low Quiescent Current LDO****Features**

- Wide Input Voltage Range: 3.6 V to 24 V
- $\pm 1\%$  Output Accuracy Under Room Temperature
  - Fixed Output: 2.8 V, 3 V, 3.3 V, and 5 V
  - Adjustable Output: 1.2 V to 15 V
- Ultra-Low Quiescent Current: 2  $\mu$ A
- Maximum Output Current: 180 mA
- Low Dropout Voltage: 200 mV at 50 mA
- High PSRR: 73 dB at 100 Hz
- Current Limit and Thermal Protection
- Stable with 2.2  $\mu$ F to 22  $\mu$ F Low ESR Ceramic Capacitor
- Soft Start Limits Input Current Surge During Enable
- Thermal Shutdown Protection
- Junction Temperature Range:  $-40^{\circ}\text{C}$  to  $+125^{\circ}\text{C}$
- Packages: SOT89-3, SOT23-5, SOT23-3

**Applications**

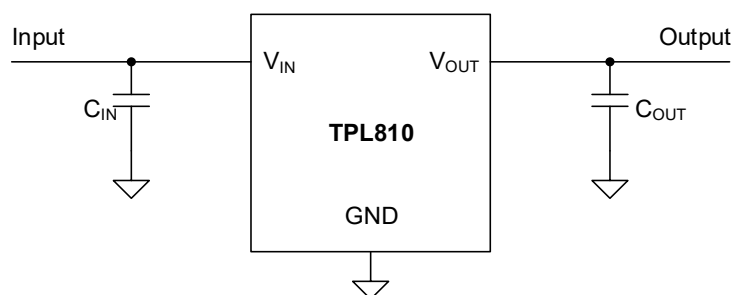
- Handheld Devices with Battery Power Supply
- POS and Power Tools
- Meters and Smoke Detector
- Industrial control
- Wireless and IoT modules

**Description**

The TPL810 series products are high-performance and low dropout linear regulators. The TPL810 series products support a maximum 24 V input voltage and 180 mA output current with low quiescent current and high PSRR. The TPL810 series products are stable with a 2.2  $\mu$ F to 22  $\mu$ F output capacitor, and a 4.7  $\mu$ F ceramic capacitor is recommended.

The TPL810 series products have a high PSRR with 73 dB at 100 Hz. This feature makes TPL810 series products very suitable for power-sensitive applications with high noise from the previous stage power supply. 2  $\mu$ A ultra-low quiescent current makes the TPL810 series products ideal choices for portable devices with battery power supply. Current-limit and thermal overload protection circuits improve the reliability under heavy load conditions.

The TPL810 series products provide fixed output voltage options from 2.8 V to 5 V and adjustable output voltage from 1.2 V to 15 V with  $\pm 2\%$  voltage accuracy over operating conditions. The TPL810 series products are guaranteed over the junction temperature range from  $-40^{\circ}\text{C}$  to  $+125^{\circ}\text{C}$ .

**Typical Application Schematic**

**24-V Input, 180-mA Output  
High Voltage and Low Quiescent Current LDO****Product Family Table**

Order Number	Output Voltage (V)	Package
TPL810ADJ-5TR	Adjustable (1.2 V to 18 V)	SOT23-5
TPL810F28-89TR	Fixed 2.8 V	SOT89-3
TPL810F30-89TR	Fixed 3.0 V	SOT89-3
TPL810F33-89TR	Fixed 3.3 V	SOT89-3
TPL810F50-89TR	Fixed 5.0 V	SOT89-3
TPL810F28-5TR	Fixed 2.8 V	SOT23-5
TPL810F30-5TR	Fixed 3.0 V	SOT23-5
TPL810F33-5TR	Fixed 3.3 V	SOT23-5
TPL810F50-5TR	Fixed 5.0 V	SOT23-5
TPL810U28-5TR	Fixed 2.8 V	SOT23-5 (B)
TPL810U30-5TR	Fixed 3.0 V	SOT23-5 (B)
TPL810U33-5TR	Fixed 3.3 V	SOT23-5 (B)
TPL810U50-5TR	Fixed 5.0 V	SOT23-5 (B)
TPL810F28- 3TR	Fixed 2.8 V	SOT23-3
TPL810F30- 3TR	Fixed 3.0 V	SOT23-3
TPL810F33- 3TR	Fixed 3.3 V	SOT23-3
TPL810F50- 3TR	Fixed 5.0 V	SOT23-3

## Table of Contents

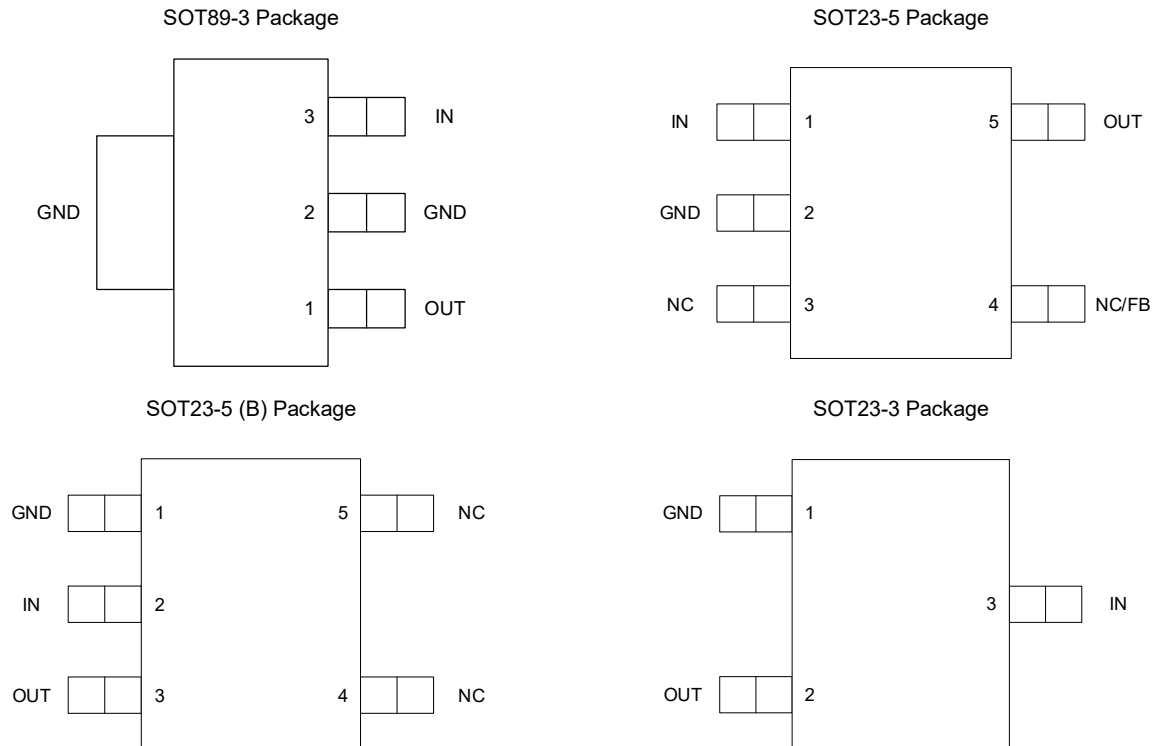
<b>Features</b> .....	<b>1</b>
<b>Applications</b> .....	<b>1</b>
<b>Description</b> .....	<b>1</b>
<b>Typical Application Schematic</b> .....	<b>1</b>
<b>Product Family Table</b> .....	<b>2</b>
<b>Revision History</b> .....	<b>4</b>
<b>Pin Configuration and Functions</b> .....	<b>5</b>
Pin Functions.....	5
<b>Specifications</b> .....	<b>6</b>
Absolute Maximum Ratings.....	6
ESD, Electrostatic Discharge Protection .....	6
Recommended Operating Conditions .....	6
Thermal Information .....	6
Electrical Characteristics .....	7
Typical Performance Characteristics.....	8
<b>Detailed Description</b> .....	<b>10</b>
Overview.....	10
Functional Block Diagram .....	10
Feature Description .....	10
<b>Application and Implementation</b> .....	<b>12</b>
Application Information.....	12
Typical Application .....	12
<b>Layout</b> .....	<b>13</b>
Layout Guideline.....	13
<b>Tape and Reel Information</b> .....	<b>14</b>
<b>Package Outline Dimensions</b> .....	<b>15</b>
SOT89-3 .....	15
SOT23-5 .....	16
SOT23-3 .....	17
<b>Order Information</b> .....	<b>18</b>

**24-V Input, 180-mA Output  
High Voltage and Low Quiescent Current LDO****Revision History**

Date	Revision	Notes
2018-09-28	Rev.Pre	Preliminary version
2018-11-27	Rev.A.0	Initial release
2019-05-31	Rev.A.1	Added adjustable output version and fixed 3.7 V output version
2020-04-30	Rev.A.2	Updated thermal information of SOT89-3 package
2021-03-29	Rev.A.3	1. Changed the pin 1 orientation of the SOT23-3 package 2. Added Tape and Reel Information
2021-06-04	Rev.A.4	Corrected the pin name mistake of the SOT23-5 package
2021-08-31	Rev.A.5	Output current changed from 200 mA to 180 mA
2022-03-21	Rev.A.6	1. Added output capacitor upper limit 2. Removed ambient temperature range 3. Removed 1.2 V, 1.8 V, 2.5 V, 3.7 V, and 4.5 V output version 4. Removed SOT89-3 (B) package

## 24-V Input, 180-mA Output High Voltage and Low Quiescent Current LDO

### Pin Configuration and Functions



### Pin Functions

Pin Name	Pin Number				I/O	Description
	SOT89 -3	SOT23 -5	SOT23 -5 (B)	SOT23 -3		
IN	3	1	2	3	I	Input voltage pin.
NC	–	3, 4	4, 5	–	–	No connection.
FB	–	4	–	–	I	Output feedback pin (Adjustable version only).
OUT	1	5	3	2	O	Regulated output voltage pin.
GND	2	2	1	1	–	Ground reference pin. Connect GND pin to PCB ground plane directly.

(1) Thermal pad must be connected to the PCB ground plane to maximize the thermal performance.

**24-V Input, 180-mA Output  
High Voltage and Low Quiescent Current LDO**
**Specifications**
**Absolute Maximum Ratings**

Parameter		Min	Max	Unit
V <sub>IN</sub>	Input Voltage	-0.3	45	V
V <sub>OUT</sub>	Output Voltage (Fixed version)	-0.3	6	V
V <sub>OUT</sub>	Output Voltage (Adjustable version)	-0.3	20	V
V <sub>FB</sub>	Feedback Voltage (Adjustable version)	-0.3	6	V
T <sub>J</sub>	Junction Temperature Range	-40	150	°C
T <sub>STG</sub>	Storage Temperature Range	-65	150	°C
T <sub>L</sub>	Lead Temperature (Soldering 10 sec)		260	°C

(1) Stresses beyond those listed under Absolute Maximum Ratings may cause permanent damage to the device. Exposure to any Absolute Maximum Rating condition for extended periods may affect device reliability and lifetime.

(2) All voltage values are with respect to GND.

**ESD, Electrostatic Discharge Protection**

Symbol	Parameter	Condition	Minimum Level	Unit
HBM	Human Body Model ESD	ANSI/ESDA/JEDEC JS-001 <sup>(1)</sup>	±2.5	kV
CDM	Charged Device Model ESD	ANSI/ESDA/JEDEC JS-002 <sup>(2)</sup>	±2	kV

(1) JEDEC document JEP155 states that 500-V HBM allows safe manufacturing with a standard ESD control process.

(2) JEDEC document JEP157 states that 250-V CDM allows safe manufacturing with a standard ESD control process.

**Recommended Operating Conditions**

Parameter		Min	Max	Unit
V <sub>IN</sub>	Input Voltage	3.6	24	V
V <sub>OUT</sub>	Output Voltage (Fixed version)	1.2	5	V
V <sub>OUT</sub>	Output Voltage (Adjustable version)	1.2	15	V
I <sub>OUT</sub>	Output Current	0	180	mA
T <sub>J</sub>	Operating Junction Temperature Range	-40	125	°C
P <sub>D</sub>	Power Dissipation (SOT89-3 Package)	0	1000	mW
	Power Dissipation (SOT23-5 Package)	0	300	mW
	Power Dissipation (SOT23-3 Package)	0	300	mW

**Thermal Information**

Package Type	θ <sub>JA</sub>	θ <sub>JC</sub>	Unit
SOT89-3	63.0	9.41	°C/W
SOT23-5	280	62	°C/W
SOT23-3	280	62	°C/W

## 24-V Input, 180-mA Output High Voltage and Low Quiescent Current LDO

### Electrical Characteristics

All test conditions:  $V_{IN} = V_{OUT(NOM)} + 1\text{ V}$  or  $3.6\text{ V}$ , whichever is greater;  $C_{OUT} = 2.2\text{ }\mu\text{F}$ ,  $T_A = +25^\circ\text{C}$ , unless otherwise noted.

Symbol	Parameter	Conditions	Min	Typ	Max	Unit
<b>Supply Voltage and Current</b>						
$V_{IN}$	Input voltage range		3.6		24	V
$I_Q$	Quiescent current	$I_{OUT} = 0\text{ mA}$		2	5	$\mu\text{A}$
		$I_{OUT} = 180\text{ mA}$		400		$\mu\text{A}$
UVLO	$V_{IN}$ under-voltage lock-out	$V_{IN}$ rising		2.9	3.6	V
<b>Regulated Output Voltage and Current</b>						
$V_{OUT}$	Output voltage accuracy	$T_J = +25^\circ\text{C}$		1%		
		$-40^\circ\text{C} \leq T_J \leq +125^\circ\text{C}$	-2%		2%	
$V_{FB}$	Feedback voltage accuracy	Adjustable output version		1.2		V
$\Delta V_{OUT}$	Line regulation	$V_{IN} = V_{OUT(NOM)} + 1\text{ V}$ to $24\text{ V}$ , or $V_{IN} \geq 3.6\text{ V}$ , $I_{OUT} = 1\text{ mA}$		3		mV
	Load regulation	$I_{OUT} = 1\text{ mA}$ to $180\text{ mA}$		20		mV
$V_{DO}^{(1)}$	Dropout voltage	$V_{IN} = 0.98 \times V_{OUT(NOM)}$ , $I_{OUT} = 50\text{ mA}$		200	600	mV
		$V_{IN} = 0.98 \times V_{OUT(NOM)}$ , $I_{OUT} = 180\text{ mA}$		800		mV
$I_{OUT}$	Output current	$V_{OUT}$ in regulation	0		180	mA
$I_{CL}^{(2)}$	Output current limit	$V_{OUT} = 0.9 \times V_{OUT(NOM)}$	180		800	mA
PSRR	Power supply rejection ratio	$I_{OUT} = 10\text{ mA}$ , $f = 100\text{ Hz}$ , $C_{OUT} = 4.7\text{ }\mu\text{F}$		75		dB
		$I_{OUT} = 10\text{ mA}$ , $f = 1\text{ kHz}$ , $C_{OUT} = 4.7\text{ }\mu\text{F}$		65		dB
		$I_{OUT} = 10\text{ mA}$ , $f = 10\text{ kHz}$ , $C_{OUT} = 4.7\text{ }\mu\text{F}$		65		dB
$V_N$	Output noise voltage	$I_{OUT} = 10\text{ mA}$ , $BW = 10\text{ Hz}$ to $100\text{ kHz}$		110		$\mu\text{V}_{RMS}$
		$I_{OUT} = 10\text{ mA}$ , $BW = 100\text{ Hz}$ to $100\text{ kHz}$		70		$\mu\text{V}_{RMS}$
<b>Temperature Range</b>						
$T_{SD}$	Thermal shutdown threshold			160		$^\circ\text{C}$
	Hysteresis			40		$^\circ\text{C}$

(1) Dropout voltage is the minimum input to output voltage differential needed to maintain regulation at a specified output current. In dropout, the output voltage will be equal to  $V_{IN} - V_{DO}$ .

(2) Measured with  $V_{IN} = V_{OUT} + 3\text{ V}$  for  $V_{OUT(NOM)} \leq 2.5\text{ V}$ . Measured with  $V_{IN} = V_{OUT} + 2.5\text{ V}$  for  $V_{OUT(NOM)} > 2.5\text{ V}$ .

24-V Input, 180-mA Output  
High Voltage and Low Quiescent Current LDO

Typical Performance Characteristics

All test conditions:  $V_{IN} = V_{OUT(NOM)} + 1\text{ V}$  or  $3.6\text{ V}$ , whichever is greater;  $C_{OUT} = 2.2\text{ }\mu\text{F}$ ,  $T_A = +25^\circ\text{C}$ , unless otherwise noted.

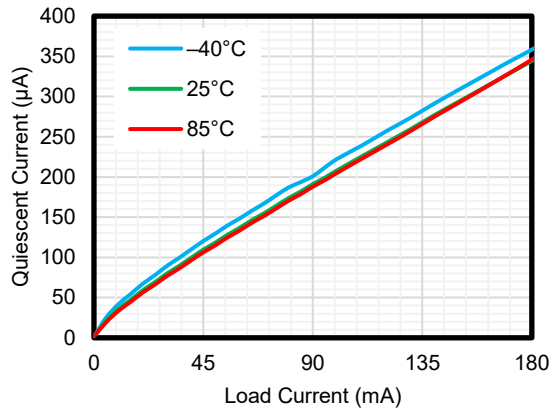


Figure 1. Quiescent Current vs Output Current

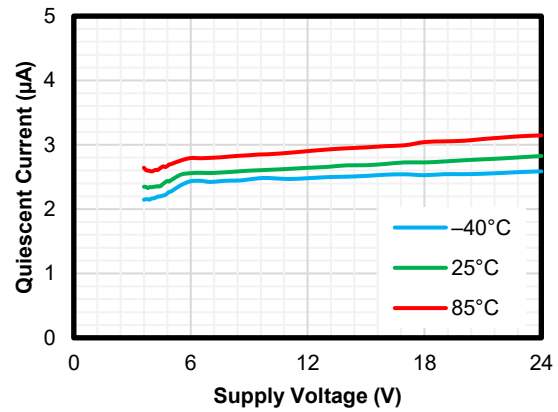


Figure 2. Quiescent Current vs Input Voltage

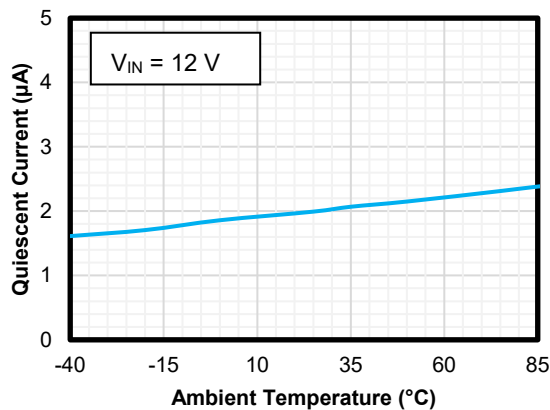


Figure 3. Quiescent Current vs Ambient Temperature

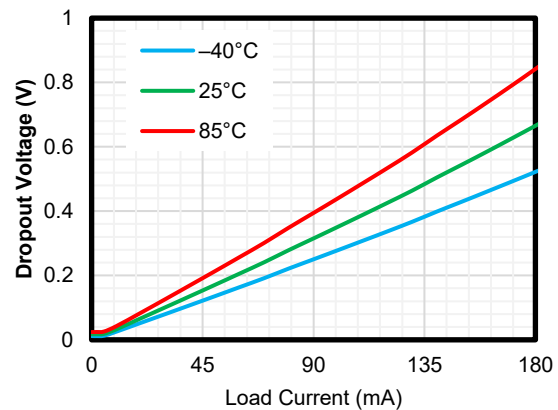


Figure 4. Dropout Voltage vs Output Current

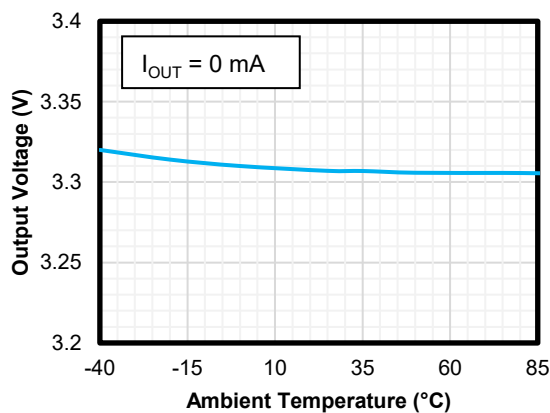


Figure 5. Output Accuracy vs Ambient Temperature

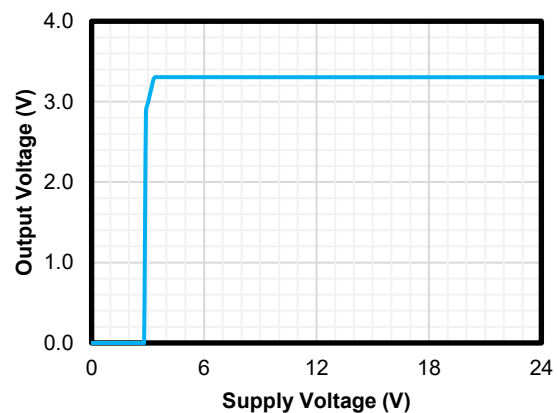


Figure 6. Output Voltage vs Input Voltage



24-V Input, 180-mA Output  
High Voltage and Low Quiescent Current LDO

Typical Performance Characteristics (Continued)

All test conditions:  $V_{IN} = V_{OUT(NOM)} + 1\text{ V}$  or  $3.6\text{ V}$ , whichever is greater;  $C_{OUT} = 2.2\ \mu\text{F}$ ,  $T_A = +25^\circ\text{C}$ , unless otherwise noted.

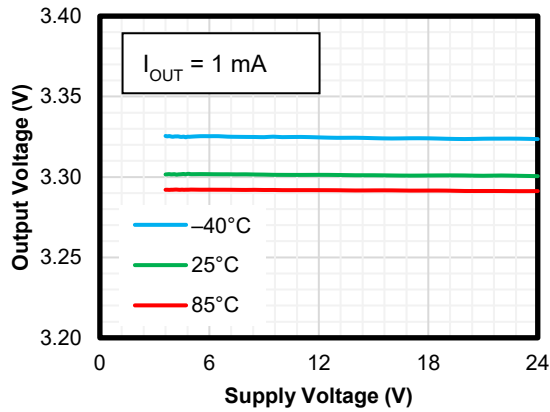


Figure 7. Line Regulation

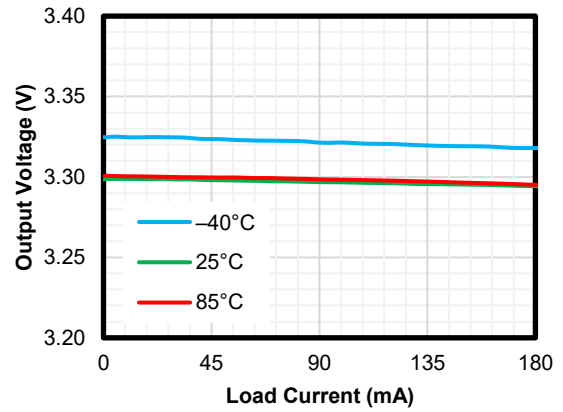


Figure 8. Load Regulation

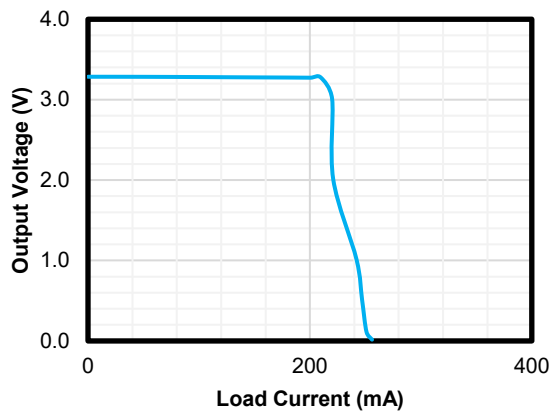


Figure 9. Current Limit

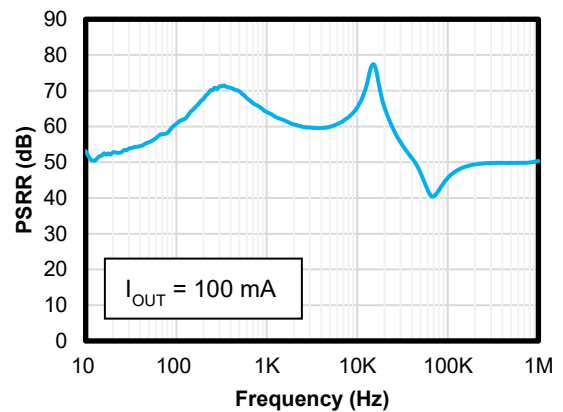


Figure 10. PSRR

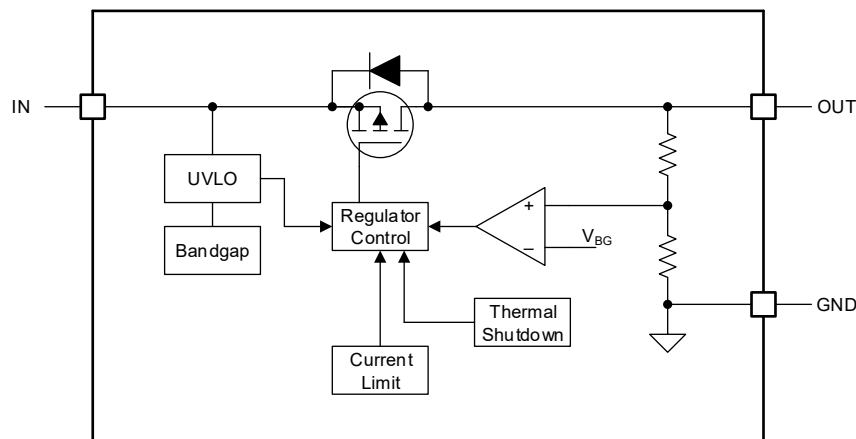
## 24-V Input, 180-mA Output High Voltage and Low Quiescent Current LDO

### Detailed Description

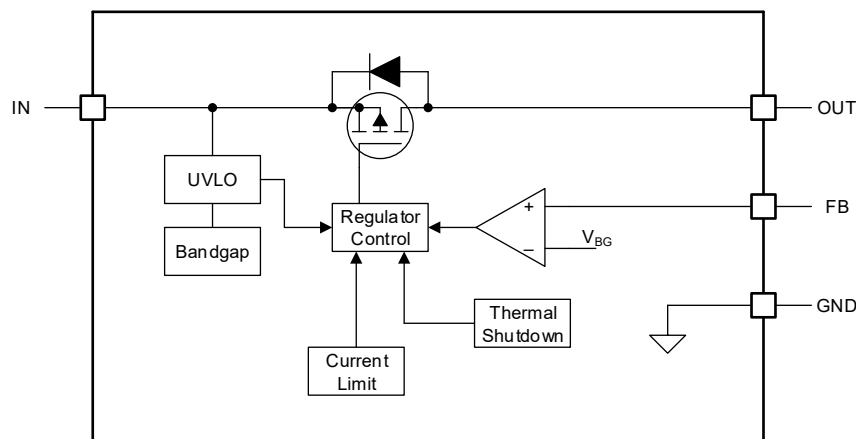
#### Overview

The TPL810 series products are 24-V 180-mA wide input range linear regulators with a very low quiescent current. These voltage regulators operate from 3.6 V to 24 V and consume 2  $\mu$ A of quiescent current at no load. The TPL810 series products are available in fixed output voltage versions of 2.8 V, 3 V, 3.3 V, and 5 V, and adjustable output voltage from 1.2 V to 15 V with  $\pm 2\%$  output voltage accuracy over operating conditions.

#### Functional Block Diagram



TPL810 Series (Fixed version)



TPL810 Series (Adjustable version)

#### Feature Description

##### Under-Voltage Lockout (UVLO)

The TPL810 series uses an under-voltage lock-out circuit (UVLO = 2.9 V) to shut the output down until the internal circuitry operates properly.

## 24-V Input, 180-mA Output High Voltage and Low Quiescent Current LDO

### Regulated Output Voltage

The TPL810 series are available in fixed output voltage versions of 2.8 V, 3 V, 3.3 V, and 5 V. When the input voltage is higher than  $V_{OUT(NOM)} + V_{DO}$  or 3.6 V, the output pin is the regulated output based on the selected voltage version. When the input voltage falls below  $V_{OUT(NOM)} + V_{DO}$  or 3.6 V, the output pin tracks the input voltage minus the dropout voltage based on the load current. When the input voltage drops below the UVLO threshold, the output keeps shutting off.

### Adjustable Output Voltage

The TPL810 series are also available in adjustable output voltage from 1.2 V to 15 V by selecting suitable external resistor dividers.

Use Equation 1 to calculate the output voltage ( $V_{FB} = 1.2\text{ V}$ ). Suggest select resistor value of  $(R1 + R2)$  between 10 k $\Omega$  and 100 k $\Omega$ .

$$V_{OUT} = V_{FB} \times \left(1 + \frac{R1}{R2}\right) \quad (1)$$

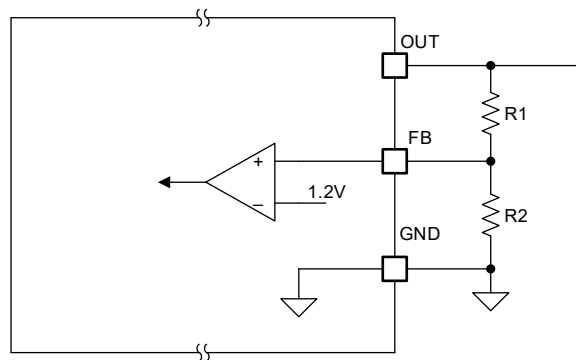


Figure 11. Adjustable Version

### Current Limit

The TPL810 series integrates an internal current limit that helps to protect the regulator during fault conditions. The output voltage is not regulated when the device is in the current limit mode and is  $V_{OUT} = I_{CL} \times R_{LOAD}$ .

### Thermal Shutdown

During normal operation, LDO junction temperature should not exceed 125°C. When the junction temperature exceeds the thermal shutdown threshold, the LDO shut down the output immediately. Until when the junction temperature falls below the thermal shutdown threshold minus thermal shutdown hysteresis, the output turns on again.

## 24-V Input, 180-mA Output High Voltage and Low Quiescent Current LDO

### Application and Implementation

#### NOTE

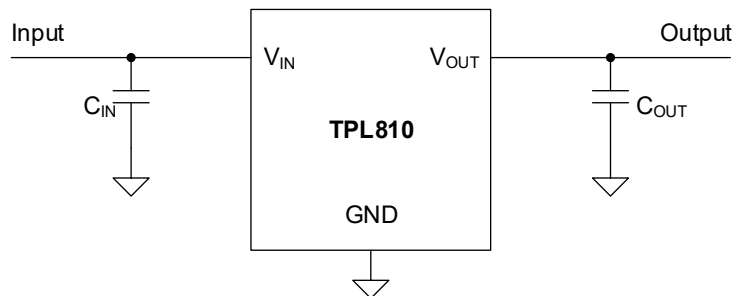
Information in the following applications sections is not part of the 3PEAK's component specification and 3PEAK does not warrant its accuracy or completeness. 3PEAK's customers are responsible for determining suitability of components for their purposes. Customers should validate and test their design implementation to confirm system functionality.

### Application Information

The TPL810 series products are 24-V 180-mA wide input range linear regulators with a very low quiescent current. The following application schematic shows a typical usage of the TPL810 series.

### Typical Application

Figure 12 shows the typical application schematic of the TPL810 series.



**Figure 12. TPL810 Typical Application**

### Input Capacitor and Output Capacitor

3PEAK recommends adding a 2.2  $\mu\text{F}$  or greater capacitor with a 0.1  $\mu\text{F}$  bypass capacitor in parallel at IN pin to keep the input voltage stable. An aluminum electrolytic capacitor or other capacitors with high capacitance is suggested for the system power with a large voltage spike. The voltage rating of the capacitors must be greater than the maximum input voltage.

To ensure loop stability, the TPL810 series requires an output capacitor with an effective capacitance value of 2.2  $\mu\text{F}$  to 22  $\mu\text{F}$ . 3PEAK recommends selecting an X5R- or X7R-type 4.7  $\mu\text{F}$  ceramic capacitor with low ESR over the temperature range.

Both input capacitors and output capacitors must be placed as close to the device pins as possible.

### Power Dissipation

During normal operation, LDO junction temperature should not exceed 125°C. Using the below equations to calculate the power dissipation and estimate the junction temperature.

The power dissipation can be calculated using [Equation 2](#).

$$P_D = (V_{IN} - V_{OUT}) \times I_{OUT} + V_{IN} \times I_{GND} \quad (2)$$

**24-V Input, 180-mA Output  
High Voltage and Low Quiescent Current LDO**

The junction temperature can be estimated using [Equation 3](#).  $\theta_{JA}$  is the junction-to-ambient thermal resistance (See Section [Thermal Information](#)).

$$T_J = T_A + P_D \times \theta_{JA} \quad (3)$$

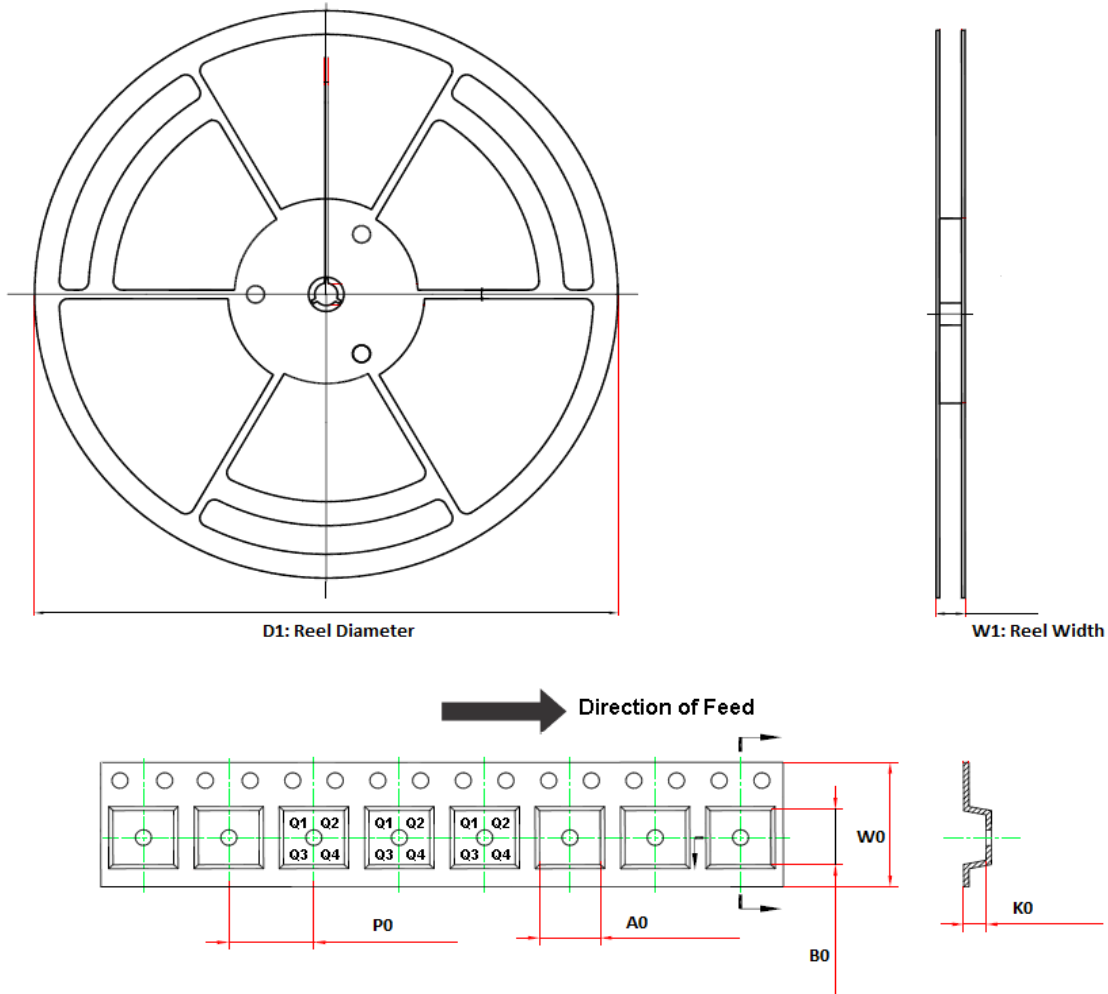
## Layout

### Layout Guideline

- Both input capacitors and output capacitors must be placed as close to the device pins as possible.
- It is recommended to bypass the input pin to ground with a 0.1  $\mu\text{F}$  bypass capacitor. The loop area formed by the bypass capacitor connection, the IN pin, and the GND pin of the system must be as small as possible.
- It is recommended to use wide trace lengths or thick copper weight to minimize I×R drop and heat dissipation.

## 24-V Input, 180-mA Output High Voltage and Low Quiescent Current LDO

### Tape and Reel Information



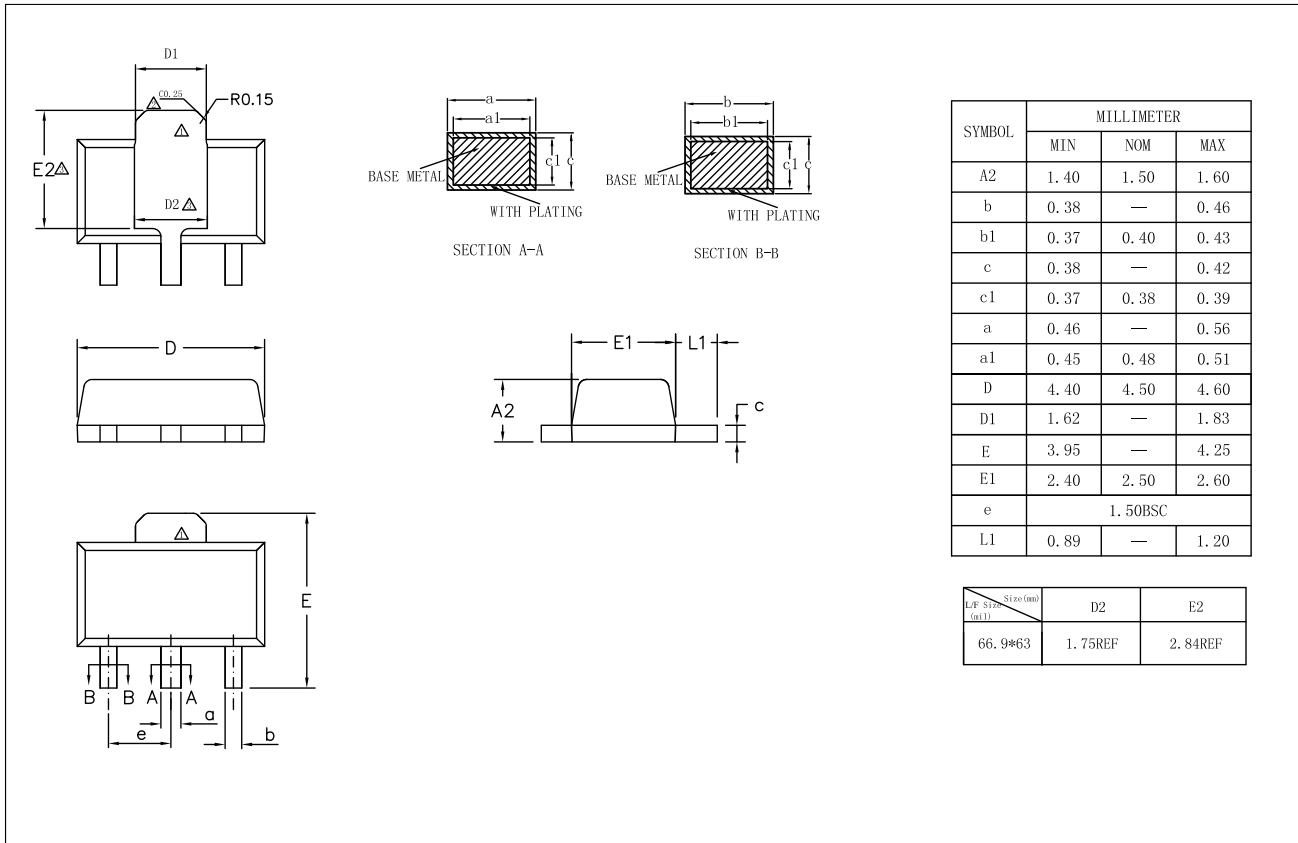
Order Number	Package	D1 (mm)	W1 (mm)	A0 (mm)	B0 (mm)	K0 (mm)	P0 (mm)	W0 (mm)	Pin1 Quadrant
TPL810ADJ-5TR	SOT23-5	180	13.1	3.2	3.2	1.4	4	8	Q3
TPL810Fxx-89TR	SOT89-3	330	17.6	4.8	4.4	1.8	8	12	Q3
TPL810Uxx-89TR	SOT89-3	330	17.6	4.8	4.4	1.8	8	12	Q3
TPL810Fxx-5TR	SOT23-5	180	13.1	3.2	3.2	1.4	4	8	Q3
TPL810Uxx-5TR	SOT23-5	180	13.1	3.2	3.2	1.4	4	8	Q3
TPL810Fxx-3TR	SOT23-3	180	13.1	3.18	3.28	1.32	4	8	Q3

(1) Output voltage value, xx = 2.8 to 50, e.g., 33 means 3.3 V output voltage.

24-V Input, 180-mA Output  
High Voltage and Low Quiescent Current LDO

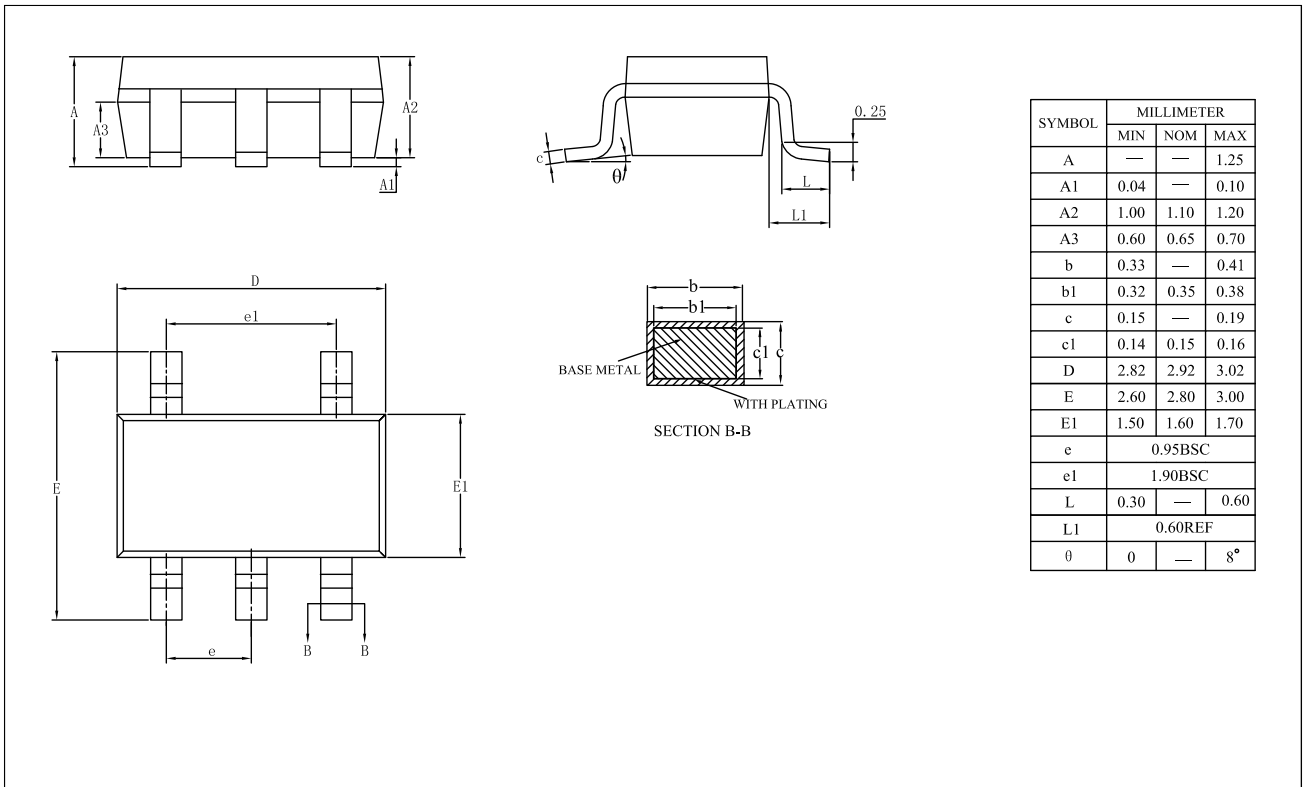
Package Outline Dimensions

SOT89-3



24-V Input, 180-mA Output  
High Voltage and Low Quiescent Current LDO

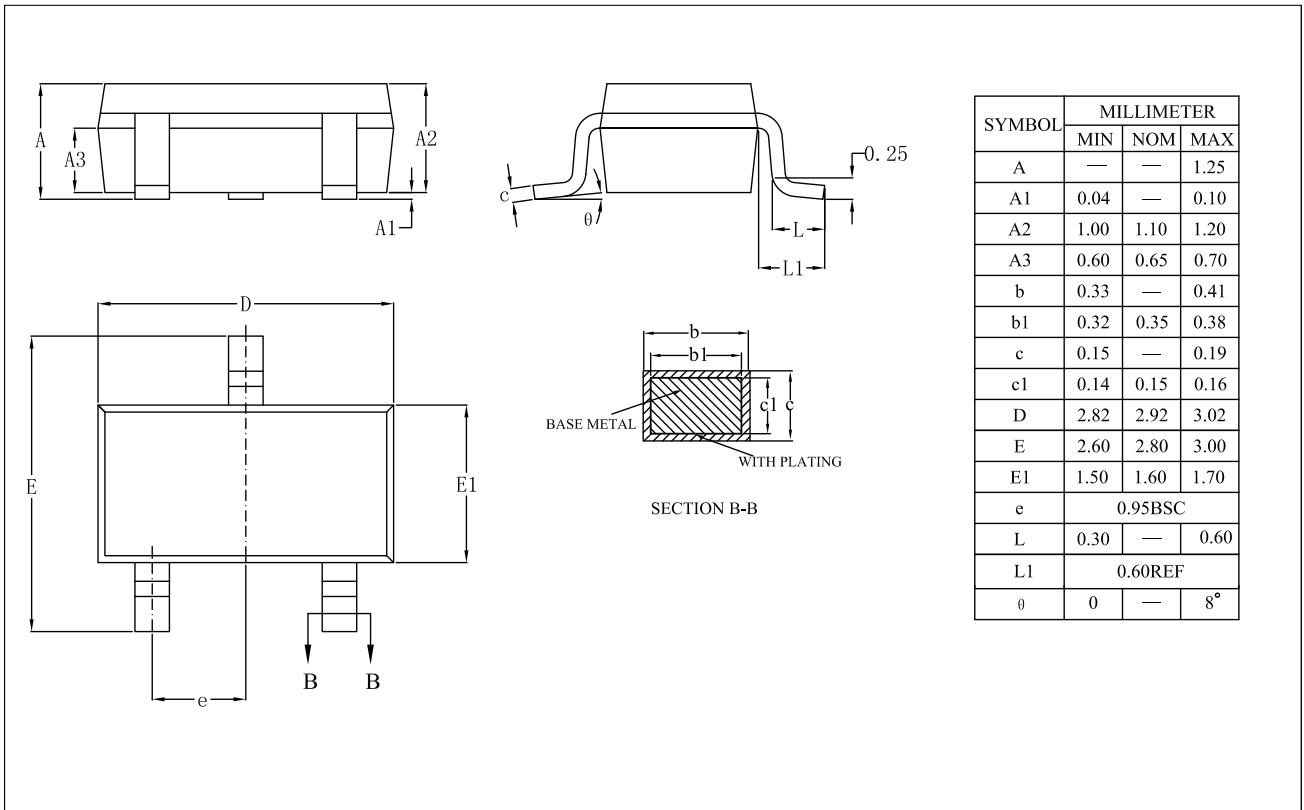
SOT23-5





## 24-V Input, 180-mA Output High Voltage and Low Quiescent Current LDO

SOT23-3



**Order Information**

Order Number	Junction Temperature Range	Package	Marking Information	MSL	Transport Media, Quantity	Eco Plan
TPL810ADJ-5TR	-40 to 125°C	SOT23-5	L4A	MSL3	Tape and Reel, 3,000	Green
TPL810F28-89TR	-40 to 125°C	SOT89-3	L4H	MSL3	Tape and Reel, 4,000	Green
TPL810F30-89TR	-40 to 125°C	SOT89-3	L4I	MSL3	Tape and Reel, 4,000	Green
TPL810F33-89TR	-40 to 125°C	SOT89-3	L4J	MSL3	Tape and Reel, 4,000	Green
TPL810F50-89TR	-40 to 125°C	SOT89-3	L4K	MSL3	Tape and Reel, 4,000	Green
TPL810F28-5TR <sup>(1)</sup>	-40 to 125°C	SOT23-5	L4H	MSL3	Tape and Reel, 3,000	Green
TPL810F30-5TR <sup>(1)</sup>	-40 to 125°C	SOT23-5	L4I	MSL3	Tape and Reel, 3,000	Green
TPL810F33-5TR	-40 to 125°C	SOT23-5	L4J	MSL3	Tape and Reel, 3,000	Green
TPL810F50-5TR	-40 to 125°C	SOT23-5	L4K	MSL3	Tape and Reel, 3,000	Green
TPL810U28-5TR <sup>(1)</sup>	-40 to 125°C	SOT23-5 (B)	L4O	MSL3	Tape and Reel, 3,000	Green
TPL810U30-5TR <sup>(1)</sup>	-40 to 125°C	SOT23-5 (B)	L4P	MSL3	Tape and Reel, 3,000	Green
TPL810U33-5TR	-40 to 125°C	SOT23-5 (B)	L4Q	MSL3	Tape and Reel, 3,000	Green
TPL810U50-5TR	-40 to 125°C	SOT23-5 (B)	L4R	MSL3	Tape and Reel, 3,000	Green
TPL810F28- 3TR <sup>(1)</sup>	-40 to 125°C	SOT23-3	L4H	MSL3	Tape and Reel, 3,000	Green
TPL810F30- 3TR	-40 to 125°C	SOT23-3	L4I	MSL3	Tape and Reel, 3,000	Green
TPL810F33- 3TR	-40 to 125°C	SOT23-3	L4J	MSL3	Tape and Reel, 3,000	Green
TPL810F50- 3TR	-40 to 125°C	SOT23-3	L4K	MSL3	Tape and Reel, 3,000	Green

(1) Future product, contact 3PEAK factory for more information and sample

(2) Green: 3PEAK defines "Green" to mean RoHS compatible and free of halogen substances.

 **3PEAK and the 3PEAK logo are registered trademarks of 3PEAK INCORPORATED. All other trademarks are the property of their respective owners.**

单击下面可查看定价，库存，交付和生命周期等信息

[>>3PEAK\(思瑞浦\)](#)