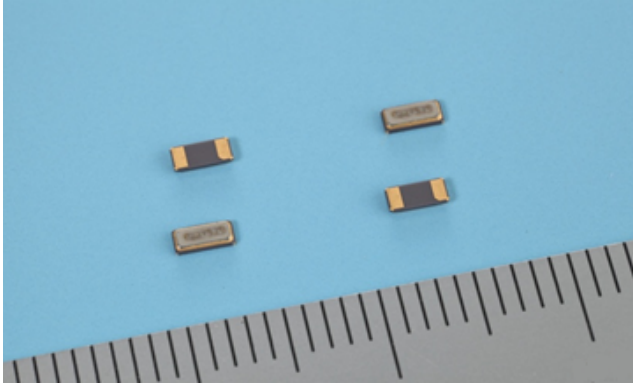


# SC-32A (Automotive)



## Features

- Confiming to "AEC-Q200"
- SMD type suitable for automatic
- Excellent shock and heat resistance
- Complete Pb-free
- Complies with EU RoHS directive
- A crystal resonator processed by high reliable photolithographic technology inside

## Applications

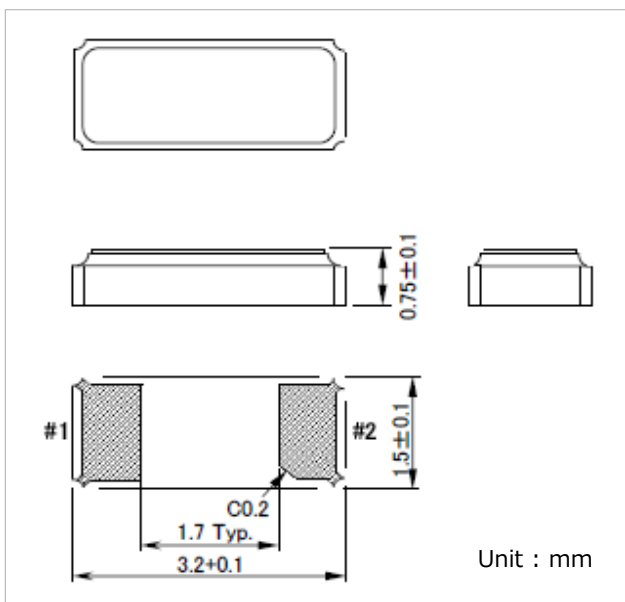
Car Audio, Car Navigation,  
ECU sub clock, In-viechle clock

## Standard Specifications

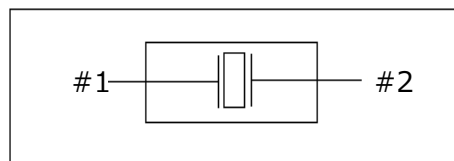
(Temperature: 25±2°C, DL;0.1μW)

Item	Symbol	Specifications	Conditions Note
Nominal Frequency	f_nom	32.768kHz	
Frequency Tolerance	f_tol	±20×10 <sup>-6</sup>	Please specify
Turnover Temperature	Ti	+25±5°C	
Parabolic Coefficient	B	(-0.030±10%)×10 <sup>-6</sup> /°C <sup>2</sup>	
Load Capacitance	CL	6pF~12.5pF	
Motional Resistance (ESR)	R1	70kΩ max.	
Absolute Max. Drive Level	DLmax.	1.0μW max.	
Drive Level	DL	0.1μW typ.	
Shunt Capacitance	C0	1.0pF typ.	
Frequency Ageing	f_age	±3×10 <sup>-6</sup>	+25±3°C, First Year
Operating Temperature	T_use	-55~+125°C	
Storage Temperature	T_stg	-55~+125°C	Piece part basis

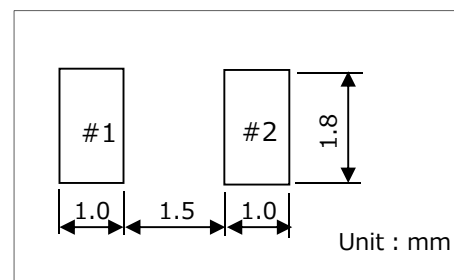
## Dimensions



## Internal Lead Connections



## Recommended Soldering Pattern



Remark: Please make sure that there is no pattern under SC-32A on the circuit board.

## Seiko Instruments Inc.

Quartz Crystal Sales Department  
1-8, Nakase, Mihamaku, Chiba-shi, Chiba 261-8507, Japan  
Tel : +81-43-211-1207 Fax : +81-43-211-8030  
<http://www.seiko.co.jp/en/quartz/>

单击下面可查看定价，库存，交付和生命周期等信息

[>>ABLIC\(SII\)\(艾普凌科\(精工\)\)](#)