

ULTRA MINIATURE CERAMIC SMD CRYSTAL



3.2 x 2.5 x 0.75mm

ABM8-166-114.285MHz-T

RoHS/RoHS II Compliant

Moisture Sensitivity Level (MSL) – This product is Hermetically Sealed and not Moisture Sensitive - MSL = N/A: Not Applicable

FEATURES:

- Low in height; suitable for thin equipment, 0.75mm max
- Seam sealed package assures high reliability
- Suitable for RoHS reflow

APPLICATIONS:

- For use with SiLab Part Number Si5316

STANDARD SPECIFICATIONS:

Parameters	Minimum	Typical	Maximum	Units	Notes
Center Frequency		114.285		MHz	
Operation Mode	3 rd OT, AT-Cut				
Operating Temperature	-40		+85	°C	
Storage Temperature	-55		+125	°C	
Frequency Tolerance	-20		+20	ppm	
Frequency Stability over the Operating Temperature (ref. to +25°C)	-20		+20	ppm	
Equivalent series resistance (R1)			62	Ω	
Shunt capacitance (C0)			1.80	pF	
Load capacitance (CL)		18		pF	
Drive Level		10	100	μW	
Aging @25±3°C	-2		+2	ppm	First year
Insulation Resistance	500			MΩ	@100Vdc±15V

FREQUENCY PERTURBATION OVER TEMPERATURE

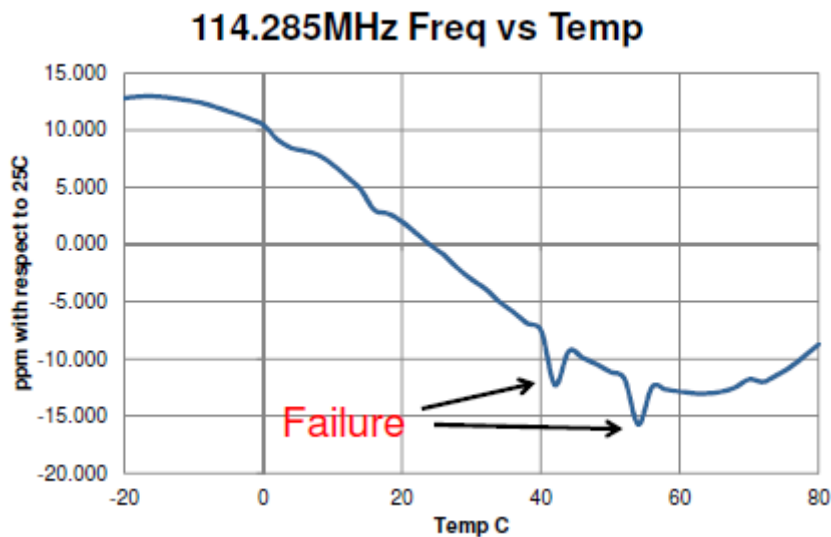


Figure (1)

These Crystals will not exhibit an abrupt change in ESR or frequency, such as caused by Spurious Mode Interference, as shown in figure (1) above. The ABM8-166-114.285MHz-T crystals are optimized to eliminate these abrupt changes, whether as a function of design and/or screening over temperature.

ULTRA MINIATURE CERAMIC SMD CRYSTAL

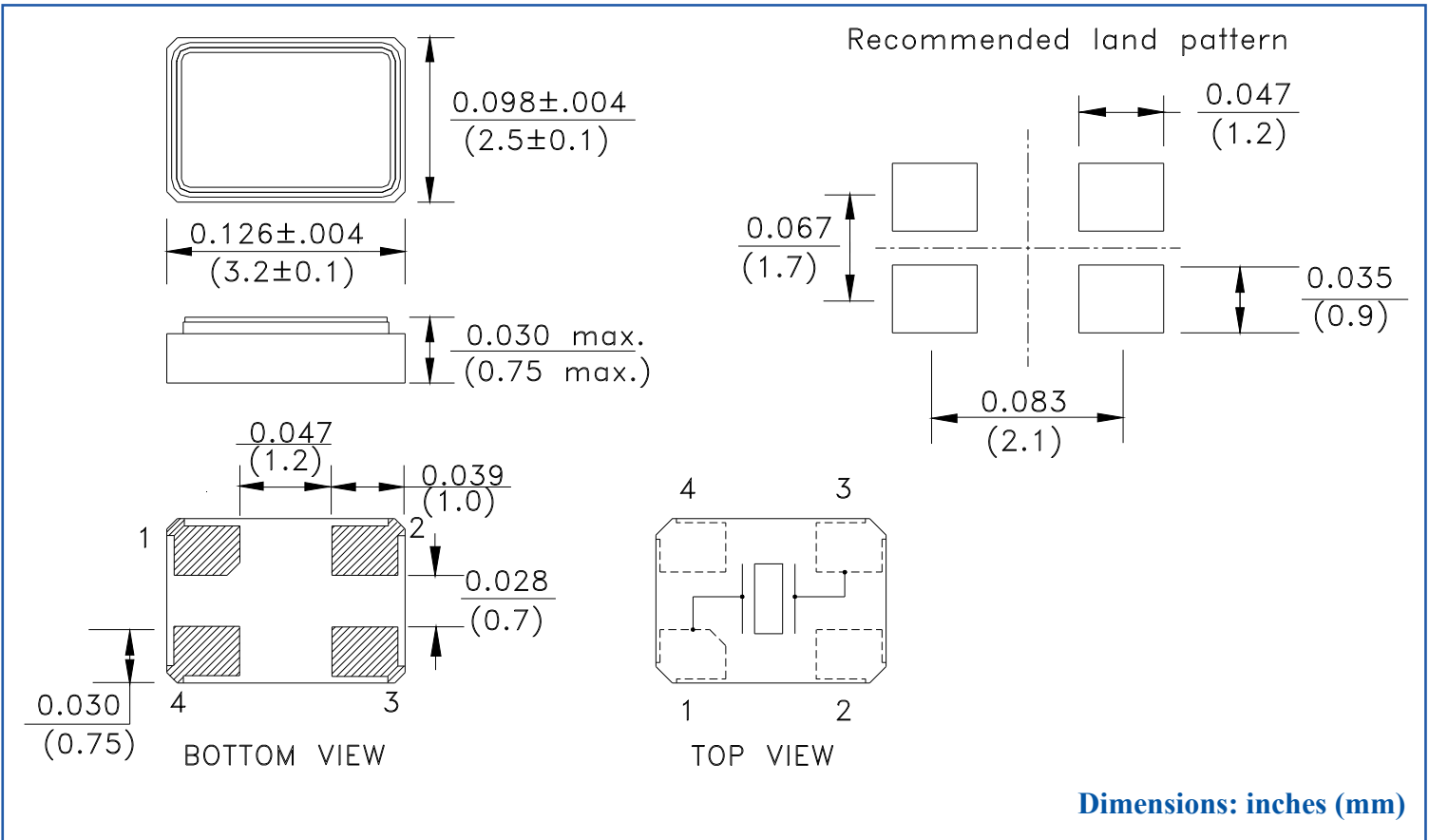


ABM8-166-114.285MHz-T

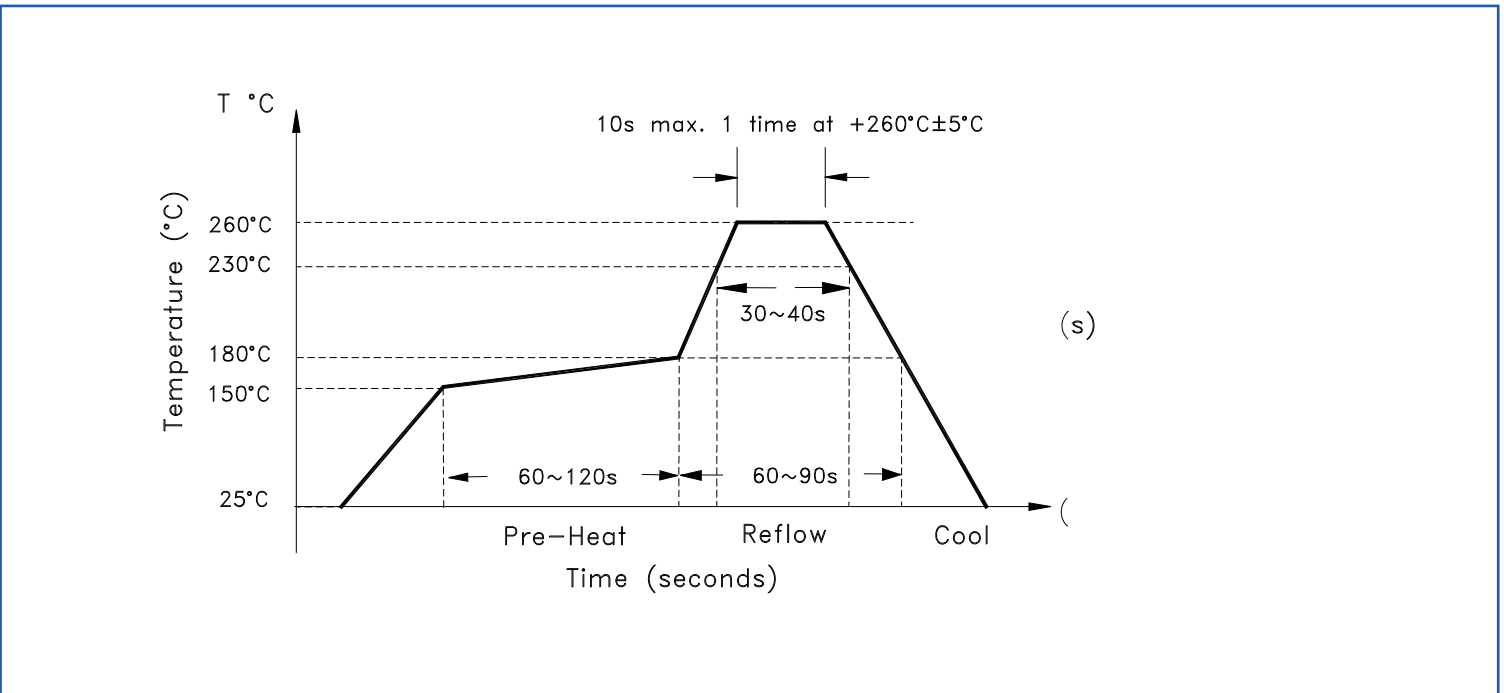
Pb RoHS/RoHS II Compliant

3.2 x 2.5 x 0.75mm

OUTLINE DRAWING:



REFLOW PROFILE:



ULTRA MINIATURE CERAMIC SMD CRYSTAL



ABM8

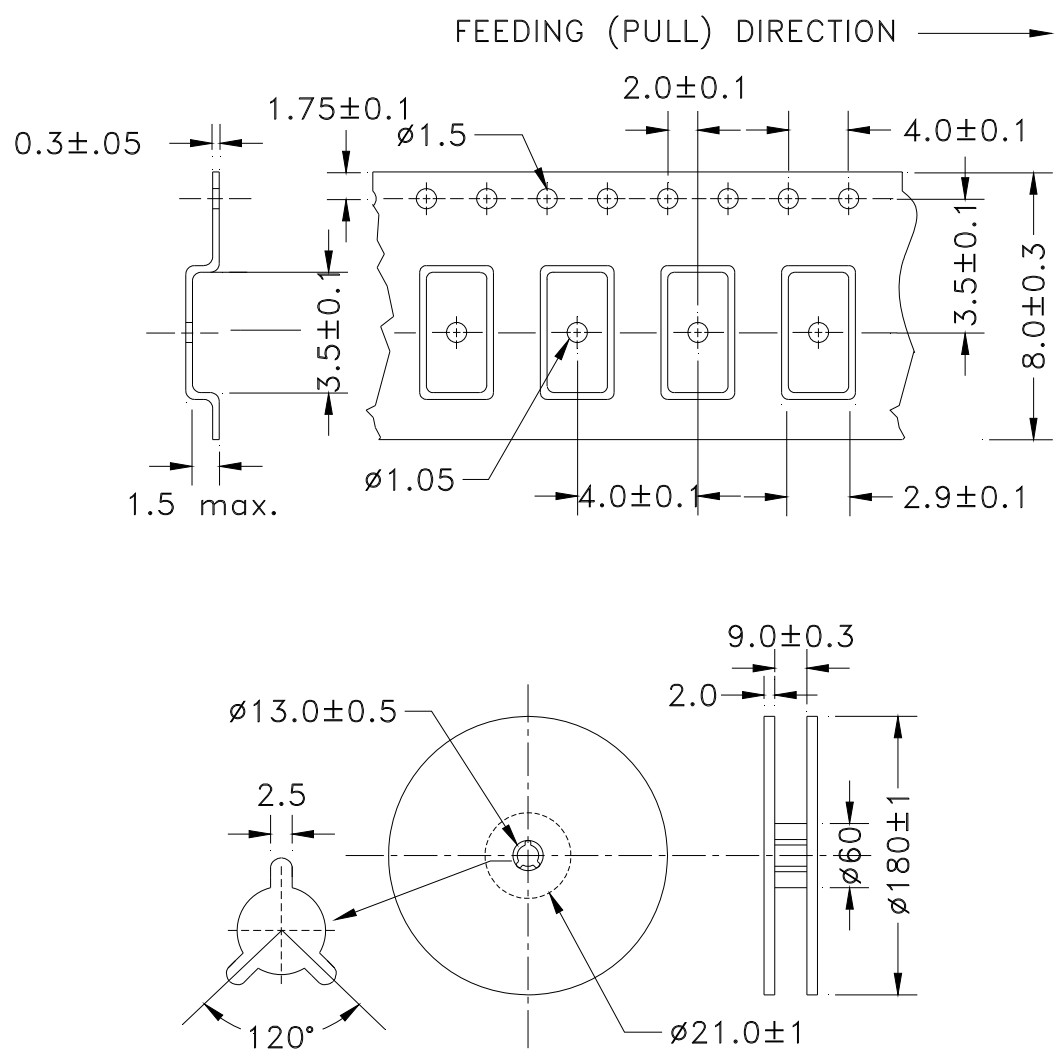
3.2 x 2.5 x 0.75mm

ABM8-166-114.285MHz-T

RoHS/RoHS II Compliant

TAPE & REEL:

- ABM8-166-114.285MHz : Bulk package
- ABM8-166-114.285MHz-T : 1,000pcs/reel Standard
- ABM8-166-114.285MHz-T2 : 2,000pcs/reel Standard



Dimensions: mm



Need a test socket for the ABM8 Series? To view compatible **PRECISION TEST & BURN-IN SOCKETS** for these parts, [click here](#).

ATTENTION: Abracon Corporation's products are COTS – Commercial-Off-The-Shelf products; suitable for Commercial, Industrial and, where designated, Automotive Applications. Abracon's products are not specifically designed for Military, Aviation, Aerospace, Life-dependant Medical applications or any application requiring high reliability where component failure could result in loss of life and/or property. For applications requiring high reliability and/or presenting an extreme operating environment, written consent and authorization from Abracon Corporation is required. Please contact Abracon Corporation for more information.

ABRACON IS
ISO9001:2008
CERTIFIED



ABRACON
COI

Visit www.abracon.com for Terms & Conditions of Sale **Revised: 08.26.14**
20222 Esperanza, Rancho Santa Margarita, California 92688
46-8000 | fax 949-546-8001 | www.abracon.com

Downloaded From Oneyac.com

单击下面可查看定价，库存，交付和生命周期等信息

[>>ABRACON](#)