

CERAMIC SMD MICRO MINIATURE MICROPROCESSOR CRYSTAL



6.0 x 3.5 x 1.4mm

ABM7

Pb in Glass
(exempt per RoHS 2002/95/EC Annex (5)) | **RoHS/RoHS II Compliant**

Moisture Sensitivity Level (MSL) – This product is Hermetically Sealed and not Moisture Sensitive - MSL = N/A: Not Applicable

FEATURES:

- Low in height (1.4 mm max.)
- Ceramic package assures high reliability
- Small size SMD, suitable for high density applications
- Superior heat-resistant glass sealing
- Wide operating temperature available

APPLICATIONS:

- Computers, Modems, Communication equipment
- Thin equipment
- Industrial wide temperature applications

STANDARD SPECIFICATIONS:

Parameters	Minimum	Typical	Maximum	Units	Notes
Frequency Range	8.000		48.000	MHz	Fundamental AT-cut
Operating Temperature	-10		+60	°C	See options
Storage Temperature	-55		+125	°C	
Frequency Tolerance @ +25°C	-50		+50	ppm	See options
Frequency Stability over the Operating Temperature (ref. to +25°C)	-50		+50	ppm	See options
Equivalent series resistance	See table 1 below			Ω	
Shunt capacitance (C0)			7	pF	
Load capacitance (CL)		18		pF	See options
Drive Level		10	100	μW	
Aging@25°C±3°C			±5	ppm	First year
Insulation Resistance	500			MΩ	@ 100Vdc

Table 1

Frequency (MHz)	ESR(Ω) max.
8.000 – 9.999	100
10.000 – 11.999	80
12.000 – 15.999	60
16.000 – 48.000	50

CERAMIC SMD MICRO MINIATURE MICROPROCESSOR CRYSTAL

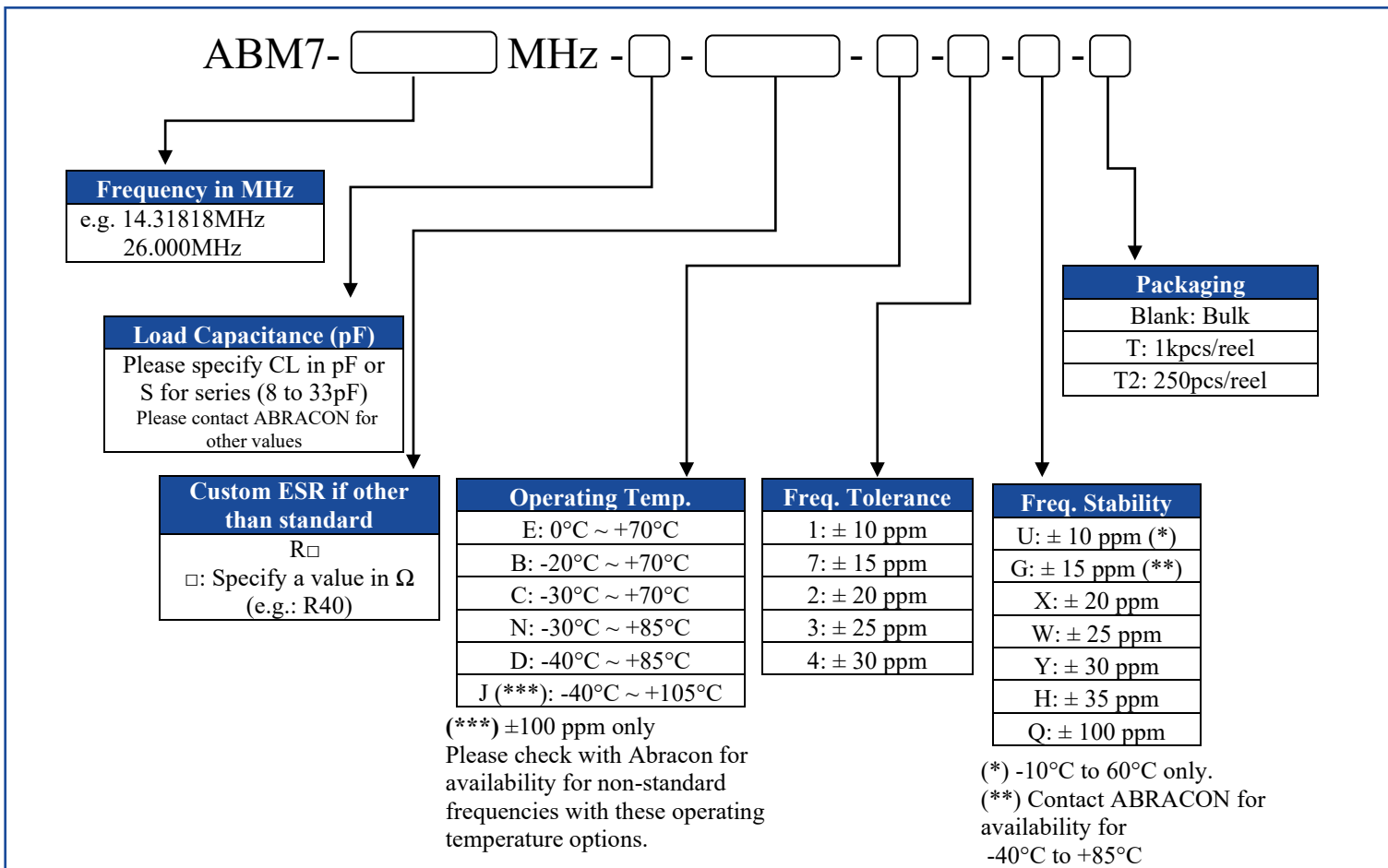


6.0 x 3.5 x 1.4mm

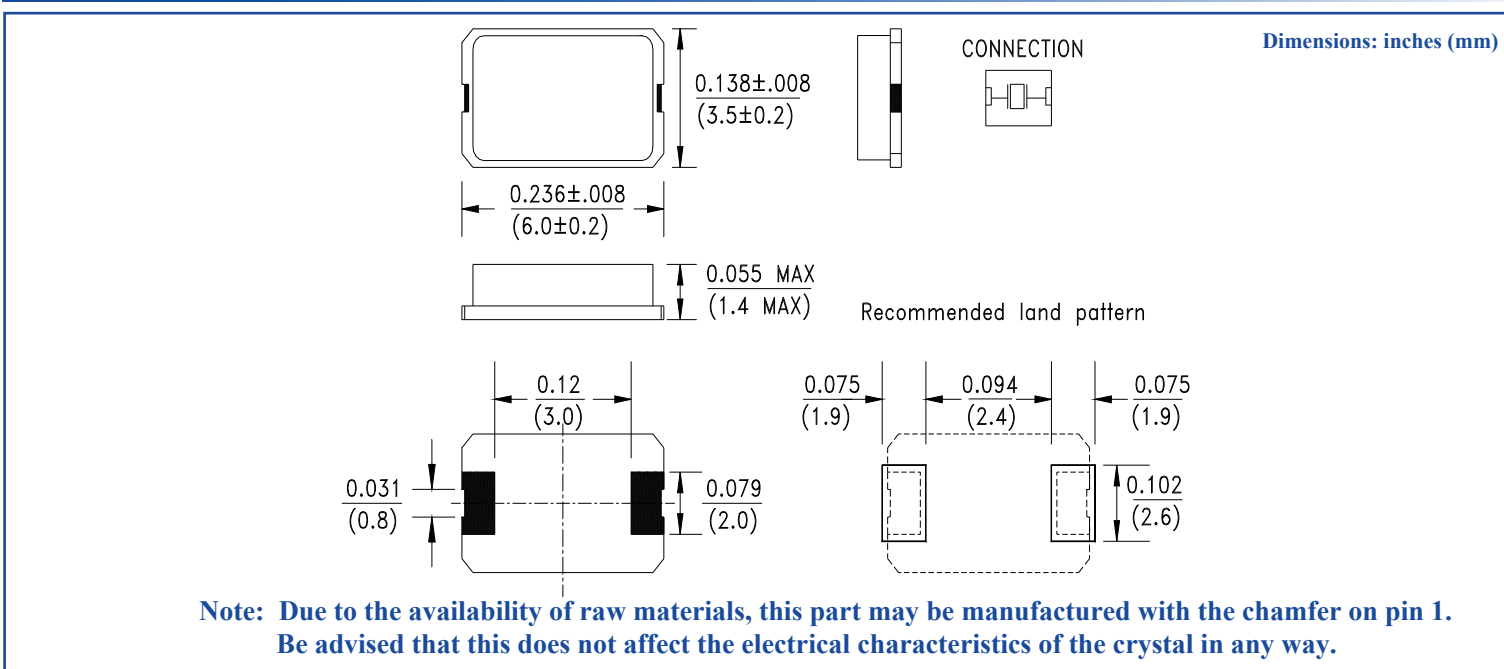
ABM7

Pb in Glass | **RoHS/RoHS II Compliant**
 (exempt per RoHS 2002/95/EC Annex (5))

OPTIONS AND PART IDENTIFICATION: (left blank if standard)



OUTLINE DIMENSION:



5101 Hidden Creek Ln Spicewood TX 78669
 Phone: 512-371-6159 | Fax: 512-351-8858
 For Downloaded From www.Oneyac.com

REVISED: 09-03-19

ABRACON IS
 ISO9001-2015
 CERTIFIED

CERAMIC SMD MICRO MINIATURE MICROPROCESSOR CRYSTAL

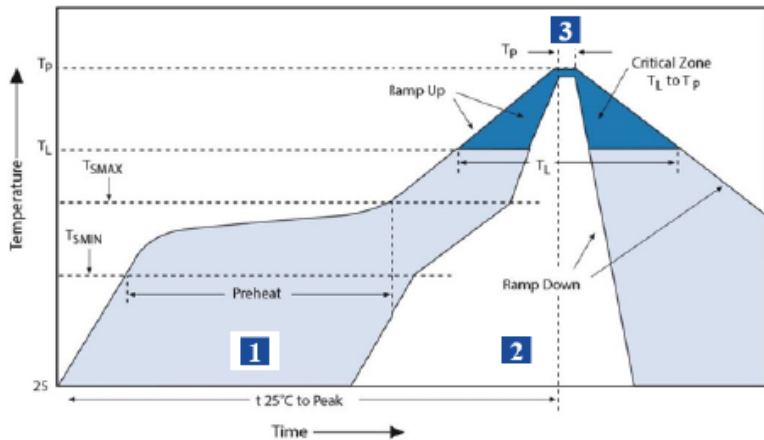


6.0 x 3.5 x 1.4mm

ABM7

Pb in Glass | **RoHS/RoHS II Compliant**
 (exempt per RoHS 2002/95/EC Annex (5))

REFLOW PROFILE:



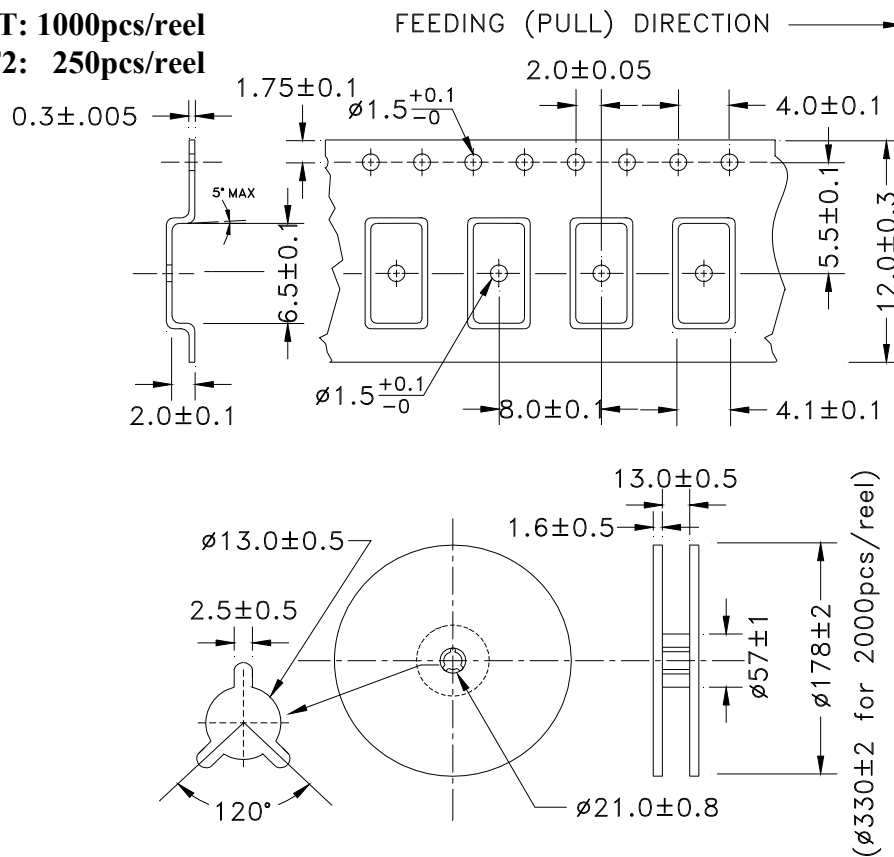
Zone	Description	Temperature	Times
1	Preheat	T _S MIN ~ T _S MAX 150°C ~ 180°C	60 ~ 120 sec.
2	Reflow	T _L 230°C	30 ~ 40 sec.
3	Peak heat	T _P 260°C ± 5°C	10 sec. MAX

TAPE & REEL:

Packaging:

T: 1000pcs/reel

T2: 250pcs/reel



Dimensions: mm

ATTENTION: Abracon Corporation's products are COTS – Commercial-Off-The-Shelf products; suitable for Commercial, Industrial and, where designated, Automotive Applications. Abracon's products are not specifically designed for Military, Aviation, Aerospace, Life-dependant Medical applications or any application requiring high reliability where component failure could result in loss of life and/or property. For applications requiring high reliability and/or presenting an extreme operating environment, written consent and authorization from Abracon Corporation is required. Please contact Abracon Corporation for more information.



5101 Hidden Creek Ln Spicewood TX 78669
 Phone: 512-371-6159 | Fax: 512-351-8858
 Fo Downloaded From www.Oneyac.com t:
 ww

REVISED: 09-03-19

ABRACON IS
 ISO9001-2015
 CERTIFIED

单击下面可查看定价，库存，交付和生命周期等信息

[>>ABRACON](#)