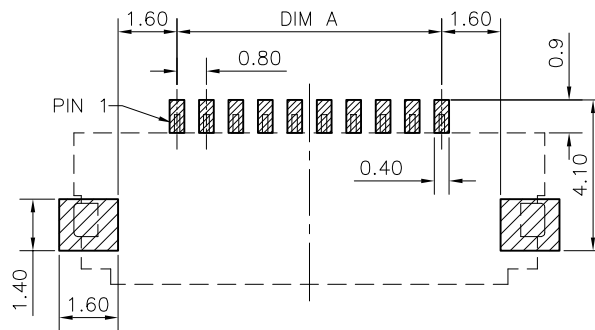


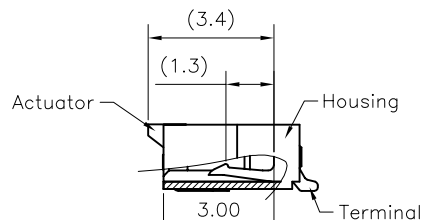
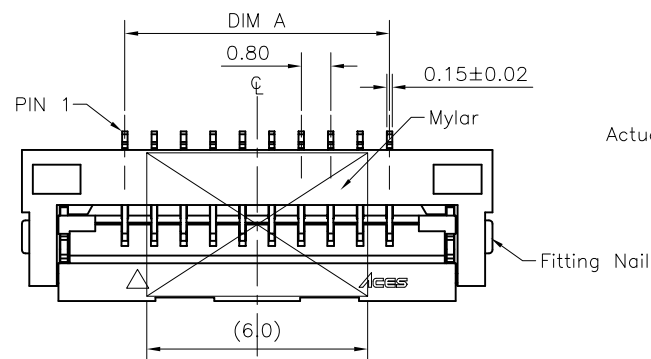
RECOMMENDED FPC/FFC DIMENSIONS
GENERAL TOLERANCE ±0.05



RECOMMENDED PCB LAYOUT
GENERAL TOLERANCE ±0.05

NOTES:

- MATERIAL:
 - HOUSING: THERMOPLASTIC, HIGH TEMP; SOMIKASUPER LCP E6808U HFZ-NA ,UL94V-0.
 - ACTUATOR: THERMOPLASTIC, HIGH TEMP; MITSUI CHEMICALS ARLEN PA6T RA230NK, UL94V-0.
 - CONTACT: COPPER ALLOY
 - FITTING NAIL: COPPER ALLOY
- FINISH:
 - CONTACT:
 - 50u" MIN NICKEL UNDER PLATING OVERALL.
 - 1: GOLD FLASH ON CONTACT AND SOLDER AREA.
 - B: 5u" GOLD ON CONTACT AREA AND GOLD FLASH ON SOLDER AREA.
 - W: 1u" GOLD ON CONTACT AREA AND SOLDER AREA.
 - FITTING NAIL:
 - 50u" MIN NICKEL UNDER PLATING OVERALL.
 - 100u" MIN. MATT TIN PLATING ON SOLDER TAILS(LEAD FREE).
- REFLOW SOLDER CAPABLE TO 260°C PER ACES SPEC.
- SPEC. PLS. REFER TO PS-51551-xxxxx-xxx
- PACKAGE PLS. REFER TO 51551-xxxxx-xx-TRP
- ACCORDING TO J-STD-020d.1, THIS SERIES PRODUCTS ARE LISTED IN LEVEL 3
- PART NUMBER

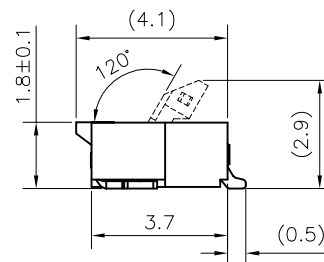
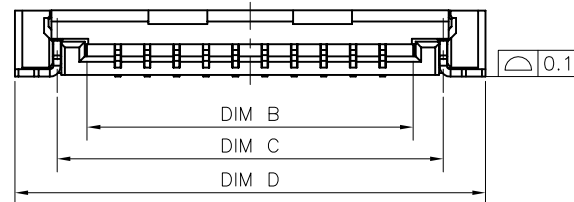


51551-XXX X X-XXX
NO OF CKT

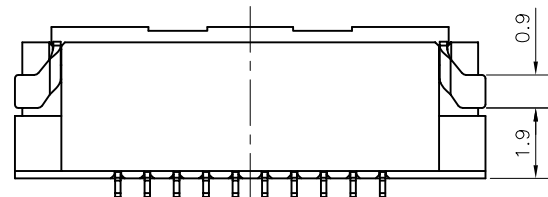
PACKING
0: TAPE & REEL
1: TUBE
4: TAPE & REEL WITH MYLAR
5: TUBE WITH MYLAR

PLATING
1: GOLD FLASH
B: 5u" GOLD ON CONTACT
W: 1u" GOLD ON CONTACT

	HOUSING MATERIAL&COLOR	ACTUATOR MATERIAL&COLOR	HALOGEN FREE
001	HALOGEN FREE PLASTIC & NATURAL	HALOGEN FREE PLASTIC & BLACK	HF



CKT	DIM A	DIM B	DIM C	DIM D
34	26.4	28.07	29.7	32.0
36	28.0	29.67	31.3	33.6
40	31.2	32.87	34.5	36.8



QUALITY SYMBOLS MAJOR Ⓜ CRITICAL Ⓢ	DRAWN BY Zhu, Wei	DATE 20/12/17	ACES ELECTRONICS
GENERAL TOLERANCES (UNLESS SPECIFIED) X. ±0.5 .X ±0.25 .XX ±0.15 .XXX ±0.1 ANGLES ±2°	CHECKED BY Xu, ZhiYong	DATE 20/12/17	
	APPROVED BY Xu, ZhiYong	DATE 20/12/17	TITLE 0.8 PITCH EASY ON FPC/FFC Conn. H=1.8mm TYPE
	UNITS mm	SIZE A4	RFQ NO. N/A
	SCALE 5:1	SHEET NO. 1 OF 1	REV C
			DWG NO. 51551-XXXXX-XXX

单击下面可查看定价，库存，交付和生命周期等信息

[>>ACES\(宏致\)](#)