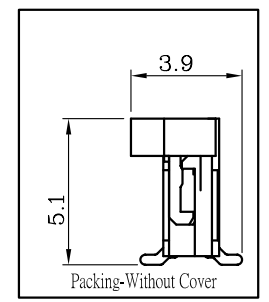
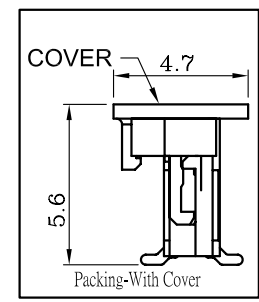
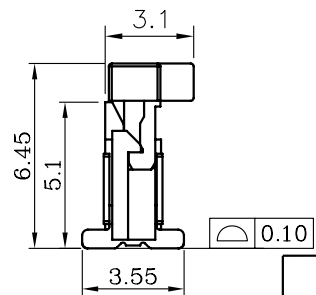
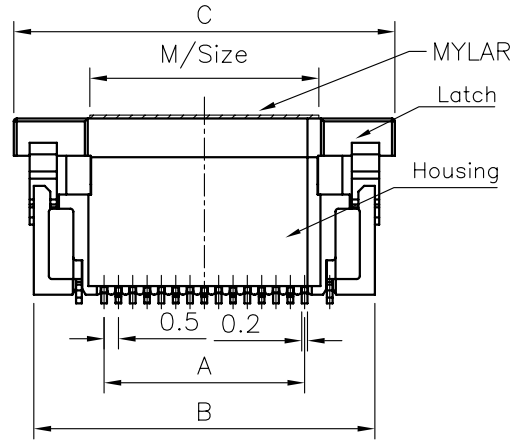
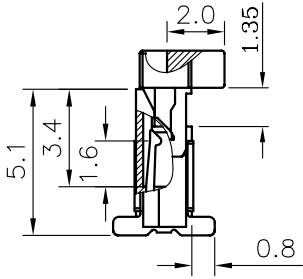
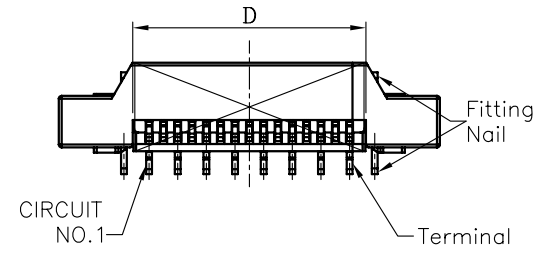


CKT	DIM A	DIM B	DIM C	DIM D	M/size	CKT	DIM A	DIM B	DIM C	DIM D	M/size
4	1.5	6.4	7.8	2.65	3.0	35	17.0	21.9	23.3	18.15	6.0
5	2.0	6.9	8.3	3.15		36	17.5	22.4	23.8	18.65	
6	2.5	7.4	8.8	3.65		37	18.0	22.9	24.3	19.15	
7	3.0	7.9	9.3	4.15		38	18.5	23.4	24.8	19.65	
8	3.5	8.4	9.8	4.65		39	19.0	23.9	25.3	20.15	
9	4.0	8.9	10.3	5.15		40	19.5	24.4	25.8	20.65	
10	4.5	9.4	10.8	5.65		41	20.0	24.9	26.3	21.15	
11	5.0	9.9	11.3	6.15		42	20.5	25.4	26.8	21.65	
12	5.5	10.4	11.8	6.65		43	21.0	25.9	27.3	22.15	
13	6.0	10.9	12.3	7.15		44	21.5	26.4	27.8	22.65	
14	6.5	11.4	12.8	7.65	45	22.0	26.9	28.3	23.15		
15	7.0	11.9	13.3	8.15	46	22.5	27.4	28.8	23.65		
16	7.5	12.4	13.8	8.65	47	23.0	27.9	29.3	24.15		
17	8.0	12.9	14.3	9.15	48	23.5	28.4	29.8	24.65		
18	8.5	13.4	14.8	9.65	49	24.0	28.9	30.3	25.15		
19	9.0	13.9	15.3	10.15	50	24.5	29.4	30.8	25.65		
20	9.5	14.4	15.8	10.65	51	25.0	29.9	31.3	26.15		
21	10.0	14.9	16.3	11.15	52	25.5	30.4	31.8	26.65		
22	10.5	15.4	16.8	11.65	53	26.0	30.9	32.3	27.15		
23	11.0	15.9	17.3	12.15	54	26.5	31.4	32.8	27.65		
24	11.5	16.4	17.8	12.65	55	27.0	31.9	33.3	28.15		
25	12.0	16.9	18.3	13.15	56	27.5	32.4	33.8	28.65		
26	12.5	17.4	18.8	13.65	57	28.0	32.9	34.3	29.15		
27	13.0	17.9	19.3	14.15	58	28.5	33.4	34.8	29.65		
28	13.5	18.4	19.8	14.65	59	29.0	33.9	35.3	30.15		
29	14.0	18.9	20.3	15.15	60	29.5	34.4	35.8	30.65		
30	14.5	19.4	20.8	15.65	61	30.0	34.9	36.3	31.15		
31	15.0	19.9	21.3	16.15	62	30.5	35.4	36.8	31.65		
32	15.5	20.4	21.8	16.65	63	31.0	35.9	37.3	32.15		
33	16.0	20.9	22.3	17.15	64	31.5	36.4	37.8	32.65		
34	16.5	21.4	22.8	17.65	65	32.0	36.9	38.3	33.15		



- NOTES:
- MATERIAL:
 - HOUSING: THERMOPLASTIC, HIGH TEMP.,UL94V-0;
 - CONTACT: COPPER ALLOY
 - FITTING NAIL: COPPER ALLOY
 - LATCH: THERMOPLASTIC, HIGH TEMP.,UL94V-0;
 - FINISH:
 - CONTACT:
 - 50u"~100u". NICKEL UNDERPLATING OVERALL. 120u"~200u". MATTE TIN PLATING
 - 50u"~100u" NICKEL UNDERPLATING OVERALL. GOLD FLASH PLATING
 - 50u"~100u". NICKEL UNDERPLATING OVERALL. 5u" GOLD PLATING ON CONTACT AND 120u"~200u" MATTE TIN PLATING ON SOLDER TAIL AREA
 - 70u" MIN NICKEL UNDERPLATING OVERALL. 15u" GOLD PLATING ON CONTACT AND GOLD FLASH PLATING ON SOLDER TAIL AREA
 - FITTING NAIL:
 - 50u"~100u" NICKEL UNDERPLATING OVERALL. 120u"~200u". MATTE TIN PLATING
 - 50u"~100u" NICKEL UNDERPLATING OVERALL. GOLD FLASH PLATING
- REFLOW SOLDER CAPABLE TO 260°C PER ACES SPEC.
- SPEC. PLS. REFER TO PS-50554-XXXX-XXX
- PACKAGE PLS. REFER TO 87153-XXXX1-TRP

XXX	Housing Color	Actuator Color	Remark	Actuator Color
001	BLACK	WHITE	N/A	LCP
002	BLACK	WHITE	FOR VERIFONE	PAGT
003	BLACK	WHITE	N/A	PAGT
P01	BLACK	WHITE	N/A	LCP

- PLATING
- GOLD FLASH
 - MATTE TIN (LEAD FREE)
 - 5u" GOLD PLATING ON CONTACT AND 120u" MIN. MATTE TIN PLATING ON SOLDER TAIL AREA
 - 3.15u" GOLD PLATING ON CONTACT
- PACKING
- REEL
 - TUBE
 - TAPE & REEL WITH MYLAR
 - TAPE & REEL WITH MYLAR
 - TUBE WITH MYLAR
 - TAPE & REEL WITH COVER
 - TUBE WITH COVER

一般公差 TOLERANCES X ±0.5 .XX ±0.15 X ±0.25 .XXX ±0.1 ANGLES ±2°		宏致電子股份有限公司 Aces Electronics Co.,Ltd.	
檢驗尺寸標示 SYMBOLS INDICATE CLASSIFICATION DIMENSION MARK IS CRITICAL DIM. MARK IS MAJOR DIM.	品名 (TITLE) 0.5 mm ZIF FPC CONN. SMT S/T TYPE	製圖 (DR) 15/10/20 WANGWEI	審核 (CHKD) BRAVE
表面處理 (FINISH)	圖號 (DWG NO.) 50554-XXXXX-XXX	核准 (APPD) FRANK	核對 (SHEET) 1 OF 1
比例 (SCALE) 4:1	單位 (UNITS) mm		張數 (SHEET) 1 OF 1
			SIZE A4
			REV F

单击下面可查看定价，库存，交付和生命周期等信息

[>>ACES\(宏致\)](#)