

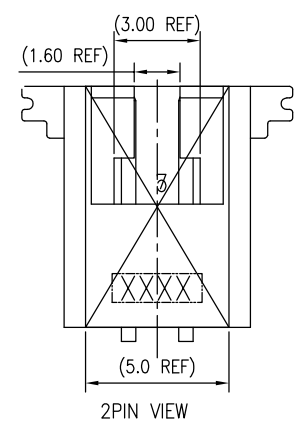
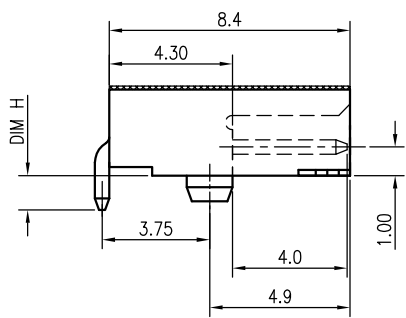
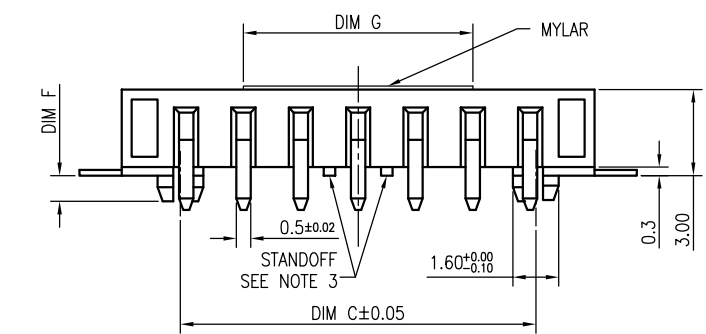
NOTES:
 1.MATERIAL:
 HOUSING:HI-TEMP HALOGEN FREE PLASTIC UL 94 V-0.
 TERMINAL:COPPER ALLOY
 FITTING NAIL:COPPER ALLOY
 FINISH:
 1:GOLD FLASH .
 D: 30u" GOLD MIN ON CONTACT AREA , GOLD FLASH ON SOLDER AREA
 2.THIS PRODUCT CAN MEET LEAD FREE PROCESS(R.o.H.S COMPARED).
 3.WHEN 3,4,5 PIN,CANCEL STANDOFF STRUCTURE.
 4.SPEC. PLS. REFER TO PS-50300-xxxxx-xxx
 5.PART NUMBER

50302 -XXX X X- XXX

NO. OF CKTS
 PACKAGE
 0.TAPE & REEL
 1.TUBE
 4.TAPE & REEL WITH MYLAR
 5.TUBE WITH MYLAR

XXX	COLOR	MATERIAL	88300-TBXX-XX	DIM F	DIM H	T&R
001	BLACK	PA 6T	88300-TBXX-02	1.3	1.2	87302-XXCR
002	BLACK	PA 6T	88300-TBXX-02	0.9	1.2	87302-XXCR
003	BLACK	PA 6T	88300-TBXX-03	1.3	1.8	87302-XXCR1
004	BLACK	PA 6T	88300-TBXX-01	0.9	1.0	87302-XXCR
S03	NATURAL	PA 6T	88300-TBXX-01	0.9	1.0	87302-XXCRU
S01	WHITE	PA 6T	88300-TBXX-03	1.3	1.8	87302-XXCR1-U
005	NATURAL	PA 6T	88300-TBXX-01	0	1.0	87302-XXCR
006	BLACK	PA 6T	88300-TBXX-05	0.9	0.9	87302-XXCR
S02	BLACK	PA 6T	88300-TBXX-03	1.3	1.8	87302-XXCR1-U
007	BLACK	LCP	88300-TBXX-02	1.3	1.2	87302-XXCR
008	BLACK	LCP	88300-TBXX-05	0.9	0.9	87302-XXCR

PLATING
 1: G/F (LEAD FREE)
 A 3u" GOLD MIN ON CONTACT AREA
 D: 30u" GOLD MIN ON CONTACT AREA



CKT	Dim A	Dim B	Dim C	Dim D	Dim E
2	2.0	6.5	2.4	9.9	4.6
3	4.0	8.5	4.4	11.9	6.6
4	6.0	10.5	6.4	13.9	8.6
5	8.0	12.5	8.4	15.9	10.6
6	10.0	14.5	10.4	17.9	12.6
7	12.0	16.5	12.4	19.9	14.6
8	14.0	18.5	14.4	21.9	16.6
9	16.0	20.5	16.4	23.9	18.6
10	18.0	22.5	18.4	25.9	20.6
11	20.0	24.5	20.4	27.9	22.6
12	22.0	26.5	22.4	29.9	24.6
13	24.0	28.5	24.4	31.9	26.6
14	26.0	30.5	26.4	33.9	28.6
15	28.0	32.5	28.4	35.9	30.6
16	30.0	34.5	30.4	37.9	32.6
17	32.0	36.5	32.4	39.9	34.6

TABLE II

CKT	DIM G	DIM J	DIM K
2	5.0	3.00	1.60
OTHER	8.0	4.20	2.80

QUALITY SYMBOLS MAJOR Ⓜ CRITICAL Ⓢ GENERAL TOLERANCES (UNLESS SPECIFIED) X. ±0.5 .X ±0.25 .XX ±0.15 .XXX ±0.1 ANGLES ±2°	DRAWN BY YANJINXIU CHECKED BY Xu,Zhi Yong APPROVED BY Xu,Zhi Yong	DATE 21/04/15 DATE 21/04/15 DATE 21/04/15	ACES ELECTRONICS 2.0mm POWER CONN. T/H R/A TYPE
	UNITS mm SCALE 4 : 1	 SHEET NO. 1 OF 1	

单击下面可查看定价，库存，交付和生命周期等信息

[>>ACES\(宏致\)](#)