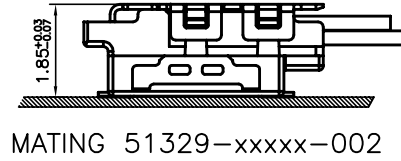
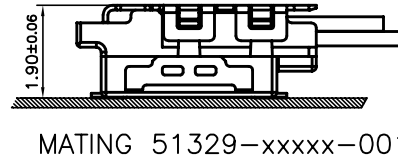
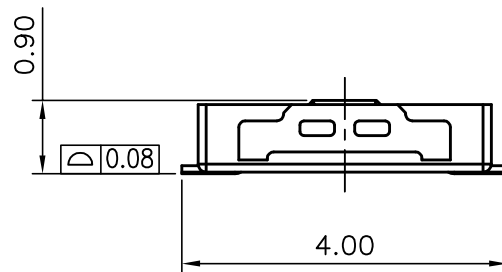
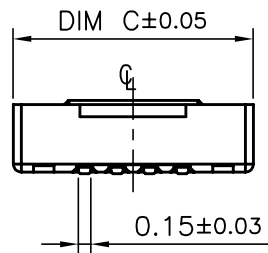


RECOMMENDED PCB LAYOUT
GENERAL TOLERANCE ±0.05



NOTES:

1. MATERIAL:
 - 1.1 HOUSING: THERMOPLASTIC, HIGH TEMP.,UL94V-0
 - 1.2 CONTACT: COPPER ALLOY
2. FINISH:

CONTACT:

 - 1: 50u" MIN. NICKEL PLATING OVERALL
 - GOLD FLASH PLATING OVERALL
3. SPEC. PLS. REFER TO PS-51328-XXXX-XXX
4. PACKAGE PLS. REFER TO 51328-XXXCR-XX
5. PART NUMBER

51328-XXX X X- 001

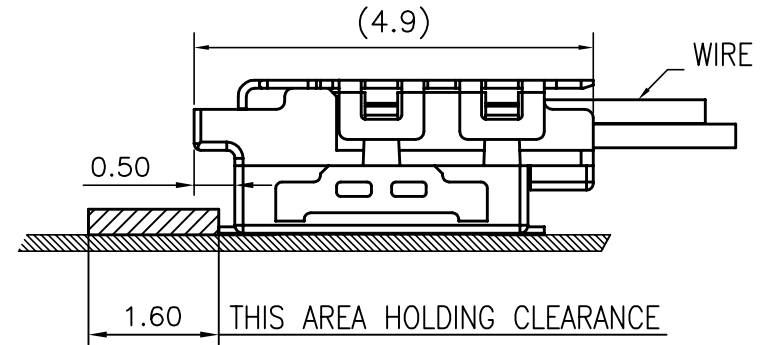
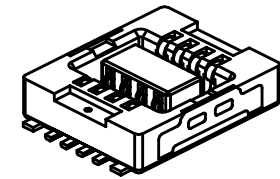
NO OF CKT: |

PACKING: |

0: TAPE & REEL

PLATING: |

1: G/F OVERALL



MATED CONDITION

010	1.60	2.60	3.35
008	1.20	2.20	2.95
006	0.80	1.80	2.55
CKT	DIM A	DIM B	DIM C

QUALITY SYMBOLS MAJOR Ⓜ CRITICAL Ⓢ		DRAWN BY TSO I CHIAO	DATE 18/06/27	
GENERAL TOLERANCES (UNLESS SPECIFIED)		CHECKED BY Chen, Chun Yuan	DATE 18/06/27	
X. ±0.5 .X ±0.25 .XX ±0.15 .XXX ±0.1 ANGLES ±2°		APPROVED BY Wang, chun sheng	DATE 18/06/27	
UNITS mm		SIZE A4	DWG NO. 51328-XXXX-XXX	SLIMMATE SERIES 0.4mm PITCH WTB WAFER CONN (H=0.90)
SCALE 10:1	SHEET NO. 1 OF 1	REV E	PART NO. SEE NOTES	

单击下面可查看定价，库存，交付和生命周期等信息

[>>ACES\(宏致\)](#)