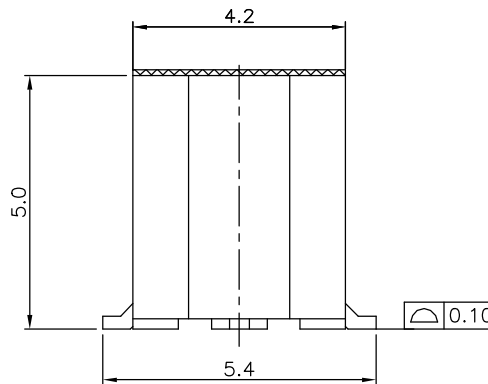
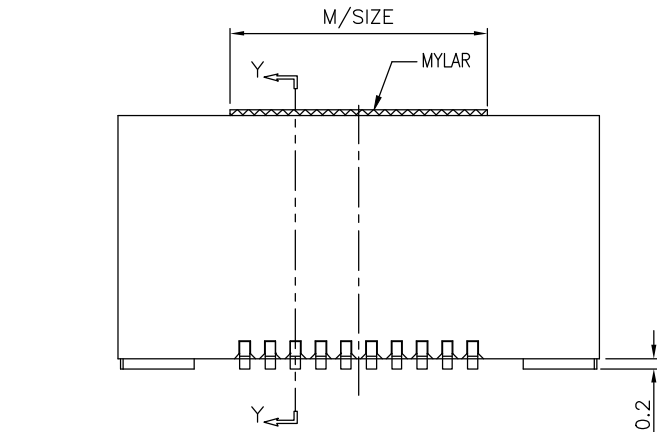


RECOMMENDED PCB LAYOUT  
GENERAL TOLERANCE ±0.05



NOTES:

- MATERIAL:
  - HOUSING: THERMOPLASTIC, HIGH TEMP., UL94V-0;
  - CONTACTS: COPPER ALLOY.
  - FITTING NAIL: COPPER ALLOY.
- FINISH: PER ACES P/N PLATING CODE
- REFLOW SOLDER CAPABLE TO 260°C PER ACES SPEC.
- SPEC. PLS. REFER TO PS-50021-xxxx-xxx
- PACK. PLS. REFER TO 88081-xxxx-TRP
- PART NUMBER

50021-XXX X X-XXX

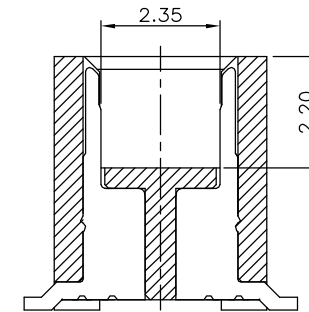
XXX	Housing Color	Halogen Free	Housing Material
001	Black	<b>HF</b>	HTN
003	Black	<b>HF</b>	LCP

No Of CKT

PLATING  
1.GOLD FLASH OVER ALL

PACKING  
0:TAPE&REEL  
1:TUBE

4:TAPE&REEL With Mylar



Part No.	CKT	DIM A	DIM B	DIM C	M/SIZE
88081-16xx	16	3.50	5.50	8.50	6.00
88081-20xx	20	4.50	6.50	9.50	6.00
88081-30xx	30	7.00	9.00	12.00	6.00
88081-40xx	40	9.50	11.50	14.50	10.00
88081-50xx	50	12.00	14.00	17.00	10.00
88081-60xx	60	14.50	16.50	19.50	15.00
88081-70xx	70	17.00	19.00	22.00	15.00
88081-80xx	80	19.50	21.50	24.50	15.00
88081-1Axx	100	24.50	26.50	29.50	15.00
88081-1Cxx	120	29.50	31.50	34.50	15.00
88081-1Gxx	160	39.50	41.50	44.50	15.00

<b>QUALITY SYMBOLS</b> MAJOR Ⓢ CRITICAL Ⓢ <b>GENERAL TOLERANCES (UNLESS SPECIFIED)</b> X ±0.5 XX ±0.25 XXX ±0.15 .XXX ±0.1 ANGLES ±2°	DRAWN BY Lei, shan jun 20/06/09	DATE 20/06/09	
	CHECKED BY Lu, Jing Quan 20/06/09	DATE 20/06/09	
APPROVED BY hsieh, fu yu 20/06/09	DATE 20/06/09	SIZE <b>A4</b>	RFG. NO. <b>N/A</b>
UNITS <b>mm</b>		SCALE <b>1:1</b>	DWG. NO. <b>50021-XXXXX-XXX</b>
SHEET NO. <b>1 OF 1</b>	REV <b>C</b>		

单击下面可查看定价，库存，交付和生命周期等信息

[>>ACES\(宏致\)](#)