

- NOTES:
- MATERIAL:
    - HOUSING: THERMOPLASTIC, HIGH TEMP.,UL94V-0; COLOR:Black.
    - CONTACT: COPPER ALLOY
    - FITTING NAIL: COPPER ALLOY
  - FINISH:
    - CONTACT:
      - UNDERPLATING: 50u" MIN. NICKEL OVERALL.
      - 8:FINISH:GOLD 3u" MIN. ON CONTACT,GOLD FLASH ON SOLDER TAIL
      - M:FINISH:GOLD 3u" ON CONTACT ARER,GOLD 1u" ON SOLDER TAIL
      - C:15u" GOLD ON CONTACT AREA AND SOLDER FOR SELECTIVERNESS PLATING
      - T:10u" GOLD ON CONTACT AREA AND SOLDER FOR SELECTIVERNESS PLATING
      - K:30u" GOLD ON CONTACT AREA AND SOLDER FOR SELECTIVERNESS PLATING
    - FITTING NAIL:
      - UNDERPLATING: 50u" MIN. NICKEL OVERALL.
      - FINISH:100~200u" MATT TIN OVER ALL
  - REFLOW SOLDER CAPABLE TO 260°C PER ACES SPEC.
  - ROHS COMPLIANT PRODUCT.
  - SPEC. PLS. REFER TO PS-91781-xxxxx
  - PACKING. SPEC. PLS. REFER TO 91782-314xxTRAY-01
  - PACKING SPEC. PLS. REFER TO 91782-314CR-05 OR 91782-314CR-5U
  - THE PCB WARPAGE : 0.05MAX.
  - THE PCB Coplanarity : 0.08MAX.(ex.86.54mm&CONN.LAYOUT AREA),
  - PART NUMBER

91782-XXX X X-XXX

NO OF CKT  
314: 314 PIN

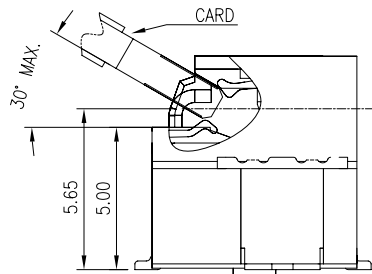
PACKING  
0:REEL  
2:TRAY

XXX	FIN POLARIZATION	PACKING	PACKAGE
001	SMT (SEE SHEET-1)	SOFT TRAY OR REEL	91782-314CR-05
002	THROUGH HOLE(SEE SHEET-2)	SOFT TRAY OR REEL	91782-314CR-05
003	SMT (SEE SHEET-1)	HARD TRAY	91782-314Tray-01
004	SMT (SEE SHEET-1)	SOFT TRAY OR REEL	91782-314CR-5U

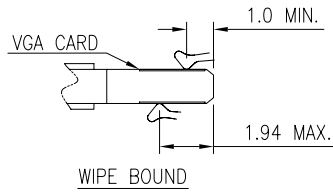
PLATING  
8:GOLD 3u" MIN. ON CONTACT,  
GOLD FLASH ON SOLDER TAIL  
M:GOLD 3u" ON CONTACT ARER,  
GOLD 1u" ON SOLDER TAIL  
C:15u" GOLD ON CONTACT AREA AND  
SOLDER FOR SELECTIVERNESS PLATING  
T:10u" GOLD ON CONTACT AREA AND  
SOLDER FOR SELECTIVERNESS PLATING  
K:30u" GOLD ON CONTACT AREA AND  
SOLDER FOR SELECTIVERNESS PLATING

SECTION A-A(SCALE 4:1)

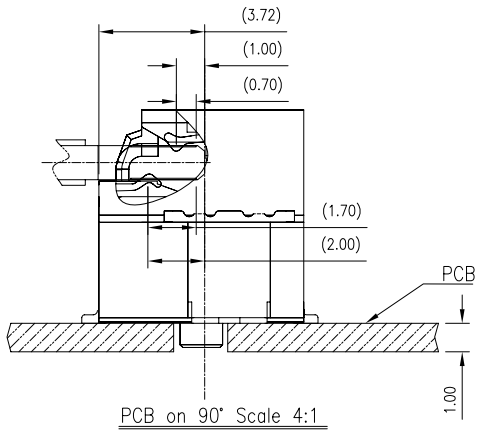
一般公差 <b>TOLERANCES</b> X ±0.5 XX ±0.15 X ±0.25 XXX ±0.1 ANGLES ±2°		<b>宏致電子股份有限公司</b> <b>Aces Electronics Co.,Ltd.</b>	
檢驗尺寸標示 SYMBOLS ① ② INDICATE CLASSIFICATION DIMENSION ③ MARK IS CRITICAL DIM. ④ MARK IS MAJOR DIM.	品名 (TITLE) MXM-3 314 PINS 0.5mm PITCH EDGE CARD CONN. SMT D/R R/A STD TYPE H=7.5mm (BTB H=5.0)	製圖 (DR) TANGENHUI 15/09/11 審核 (CHKD) ANDREW	圖號 (DWG.NO) 91782-314xx-xxx 核准 (APPD) CHARLESLEE
表面處理 (FINISH)	比例 (SCALE) 1:1	單位 (UNITS) mm	張數 (SHEET) 2 OF 5 尺寸 (SIZE) A4 版次 (REV) F



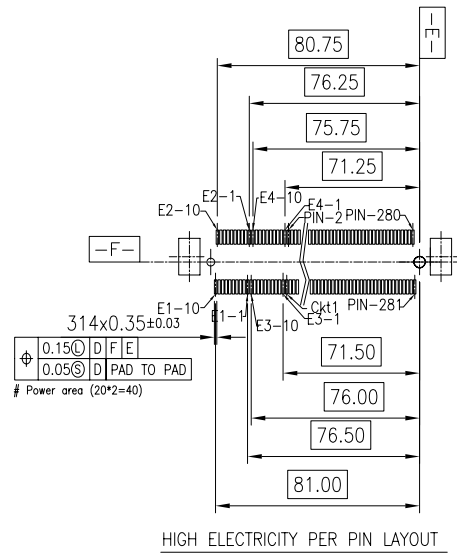
PCB 30° MAX In conn. Scale 4:1



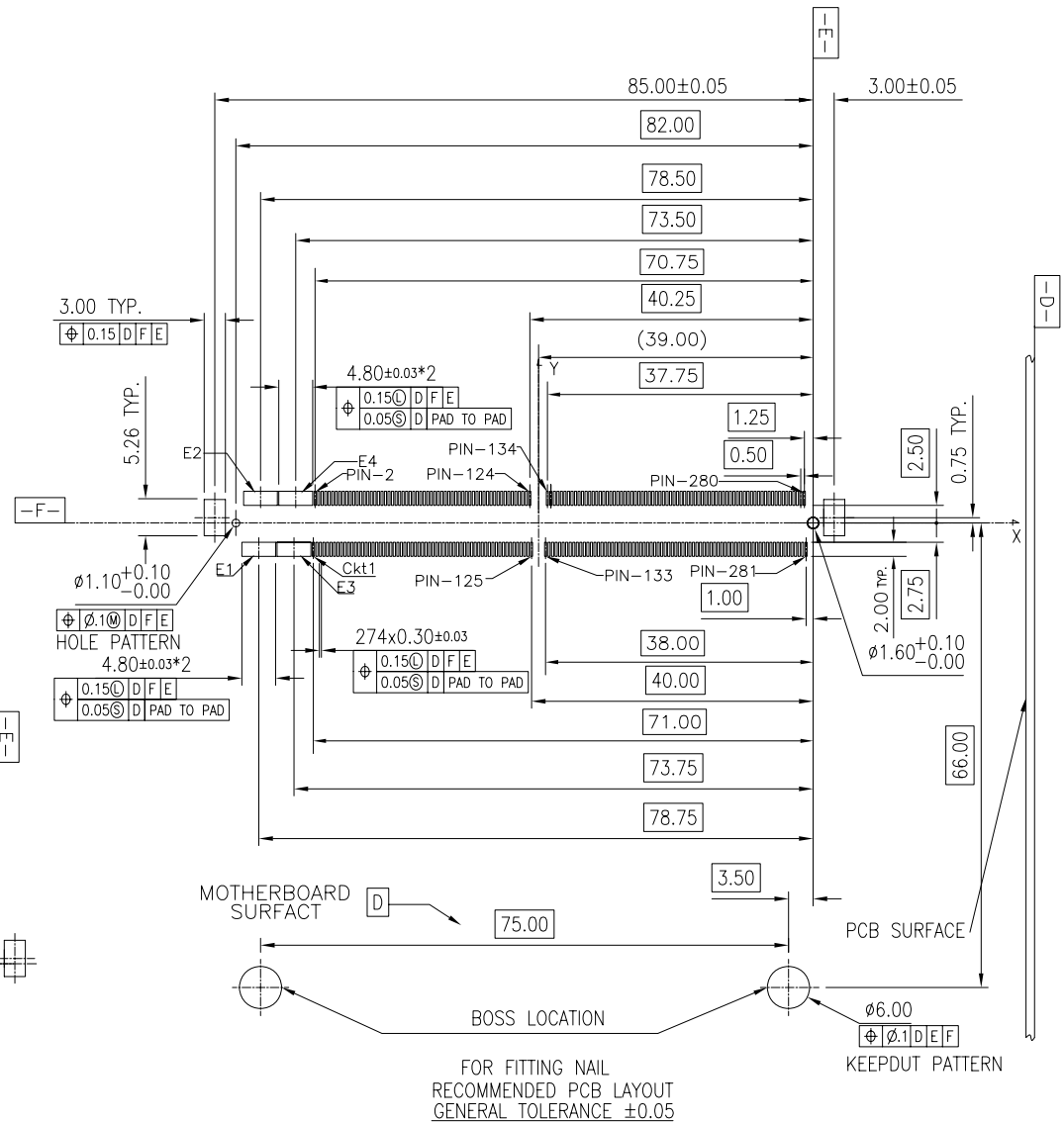
WIPE BOUND



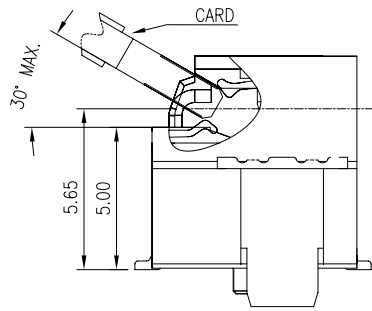
PCB on 90° Scale 4:1



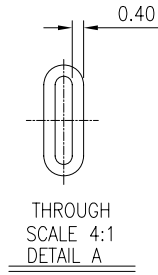
HIGH ELECTRICITY PER PIN LAYOUT



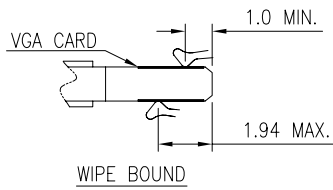
一般公差 <b>TOLERANCES</b> X ±0.5 XX ±0.15 X ±0.25 .XXX ±0.1 ANGLES ±2°		<b>宏致電子股份有限公司</b> <b>Aces Electronics Co.,Ltd.</b>	
檢驗尺寸標示 <b>SYMBOLS</b> Ⓞ Ⓟ INDICATE <b>CLASSIFICATION DIMENSION</b>	品名 (TITLE) MXM-3 314 PINS 0.5mm PITCH EDGE CARD CONN. SMT D/R R/A STD TYPE H=7.5mm (BTB H=5.0)	製圖 (DR) TANGENHUI 15/09/11 審核 (CHKD) ANDREW	圖號 (DWG.NO) 91782-314xx-xxx 核准 (APPD) CHARLESLEE
Ⓞ MARK IS CRITICAL DIM. Ⓟ MARK IS MAJOR DIM.	表面處理 (FINISH)	比例 (SCALE) 1:1 單位 (UNITS) mm	張數 (SHEET) 3 OF 5 SIZE A4 REV F



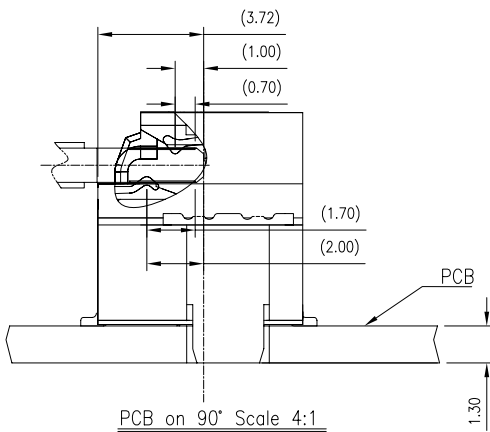
PCB 30° MAX In conn. Scale 4:1



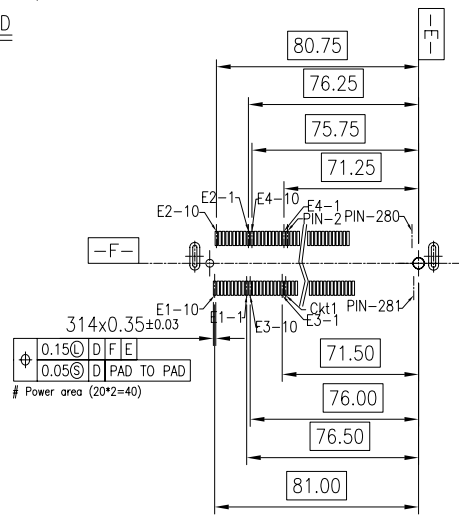
THROUGH SCALE 4:1  
DETAIL A



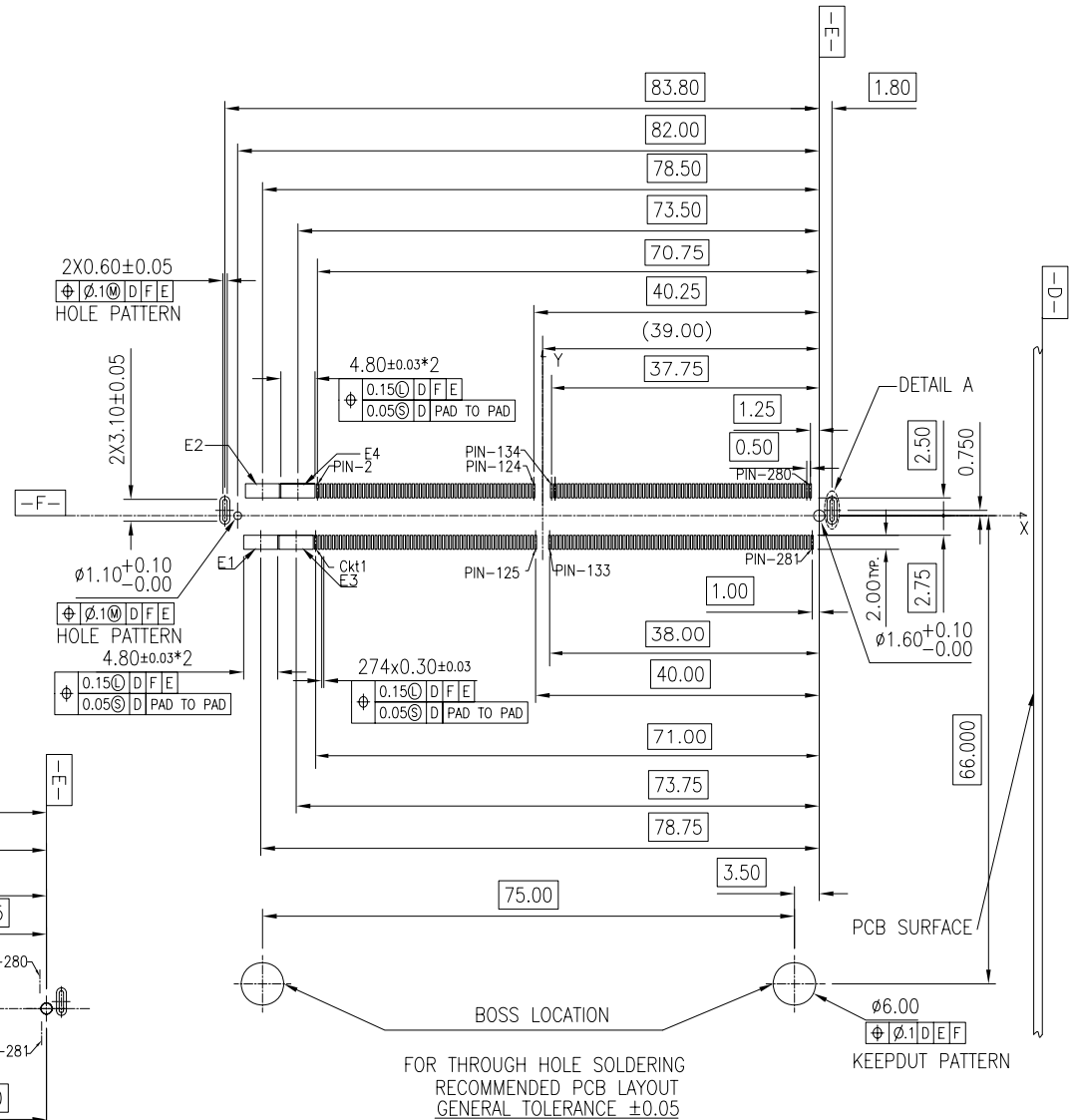
WIPE BOUND



PCB on 90° Scale 4:1



HIGH ELECTRICITY PER PIN LAYOUT



FOR THROUGH HOLE SOLDERING  
RECOMMENDED PCB LAYOUT  
GENERAL TOLERANCE ±0.05

一般公差  
TOLERANCES  
X ±0.5 .XX ±0.15  
X ±0.25 .XXX ±0.1  
ANGLES ±2°

宏致電子股份有限公司  
Aces Electronics Co.,Ltd.

檢驗尺寸標示  
SYMBOLS Ⓞ Ⓢ INDICATE CLASSIFICATION DIMENSION  
Ⓞ MARK IS CRITICAL DIM.  
Ⓢ MARK IS MAJOR DIM.

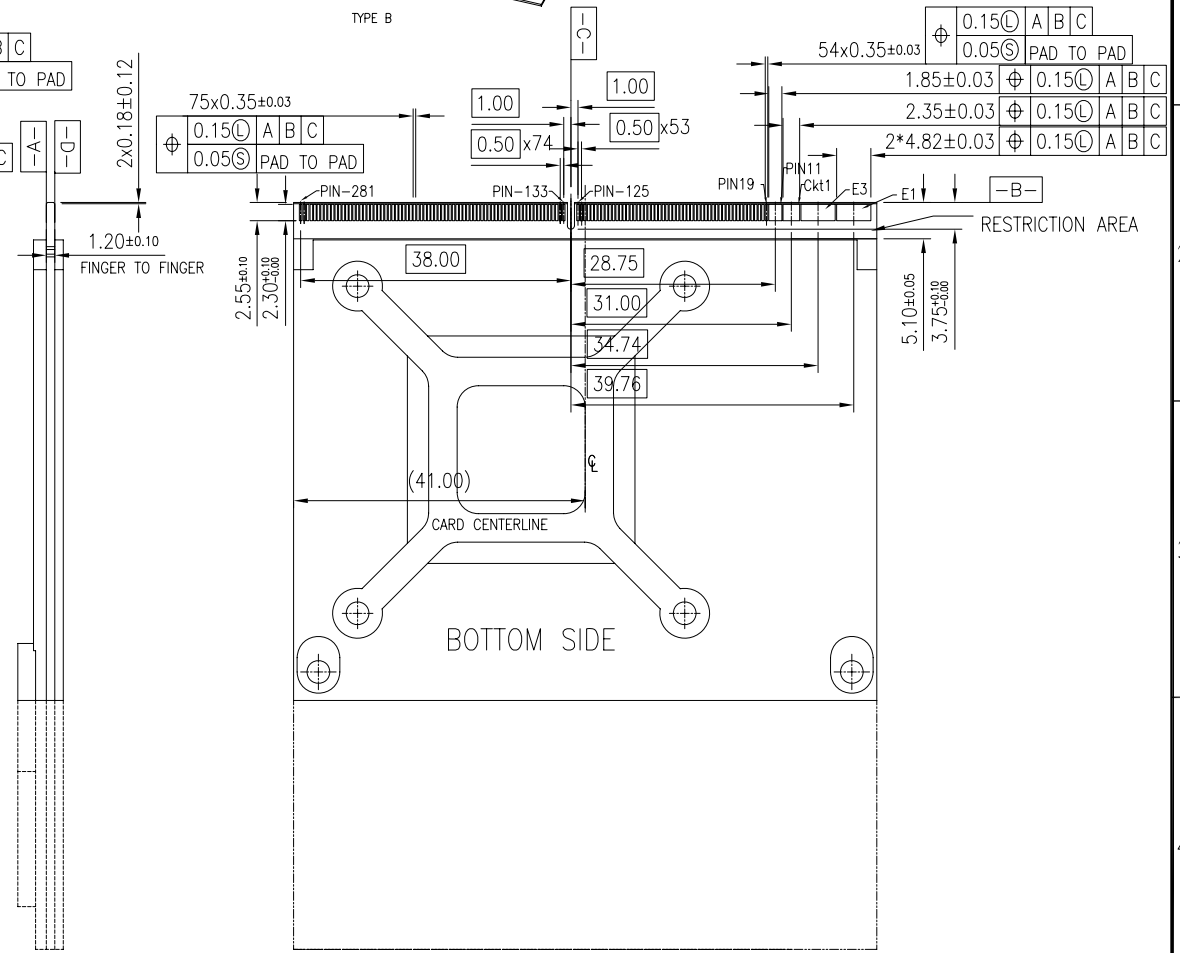
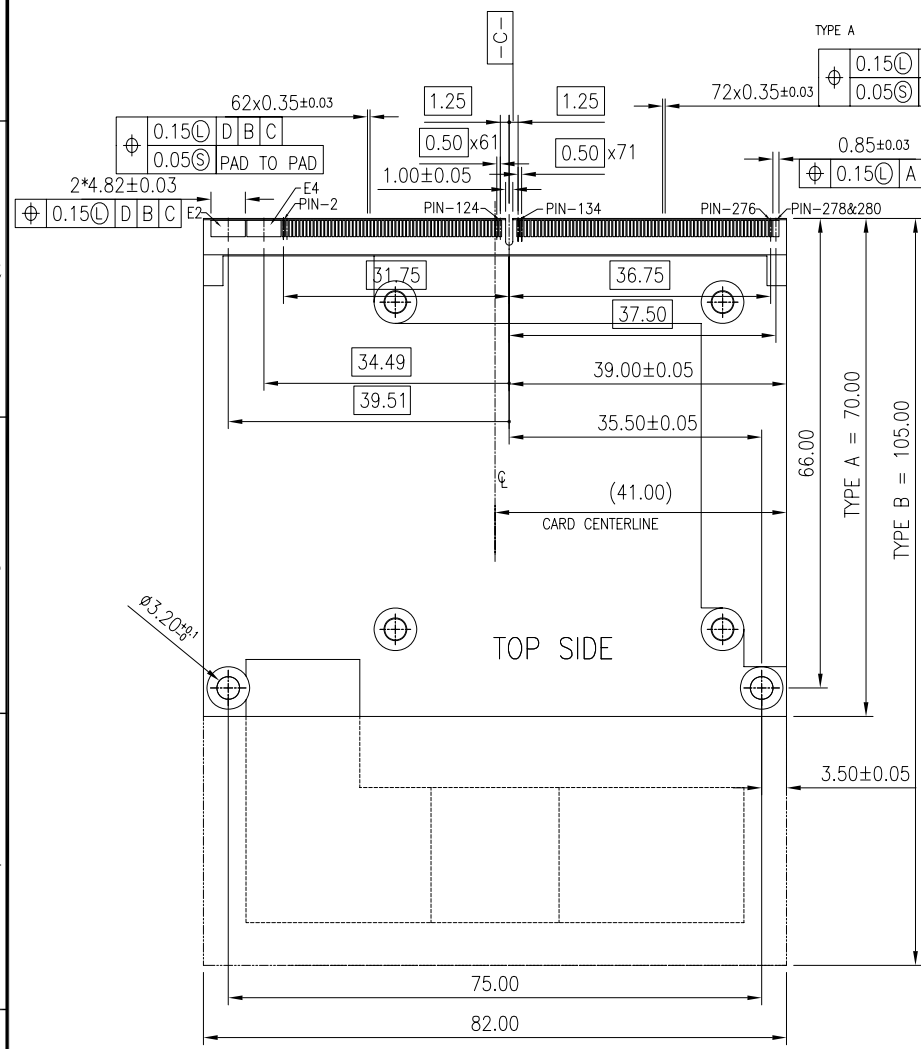
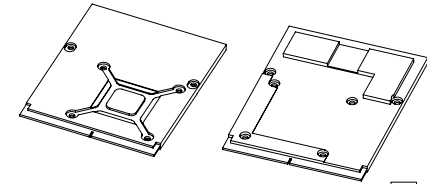
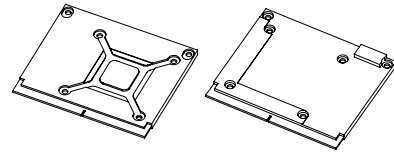
品名 (TITLE)  
MXM-3 314 PINS 0.5mm PITCH EDGE CARD CONN.  
SMT D/R R/A STD TYPE H=7.5mm (BTB H=5.0)  
圖號 (DWG.NO)  
91782-314xx-xxx

製圖 (DR) TANGENHUI  
15/09/11  
審核 (CHKD) ANDREW  
核准 (APPD) CHARLESLEE

表面處理 (FINISH)

比例 (SCALE) 1:1  
單位 (UNITS) mm

張數 (SHEET) 4 OF 5  
SIZE A4  
REV F



MXM-3 314PIN GOLD FINGER  
MXM-3 MAX 321 CONTACT LOCATION  
314 USEABLE (7 LOST TO KEY)

一般公差 <b>TOLERANCES</b> X ±0.5 XX ±0.15 X ±0.25 XXX ±0.1 ANGLES ±2°	<b>宏致電子股份有限公司</b> <b>Aces Electronics Co.,Ltd.</b>	
檢驗尺寸標示 SYMBOLS Ⓞ Ⓢ INDICATE CLASSIFICATION DIMENSION Ⓞ MARK IS CRITICAL DIM. Ⓢ MARK IS MAJOR DIM.	品名 (TITLE) MXM-3 314 PINS 0.5mm PITCH EDGE CARD CONN. 圖號 (DWG.NO) 91782-314xx-xxx	製圖 (DR) TANGENHUI 15/09/11 審核 (CHKD) ANDREW 核准 (APPD) CHARLESLEE
表面處理 (FINISH)	比例 (SCALE) 1:1 單位 (UNITS) mm	張數 (SHEET) 5 OF 5 尺寸 (SIZE) A4 版次 (REV) F

单击下面可查看定价，库存，交付和生命周期等信息

[>>ACES\(宏致\)](#)