

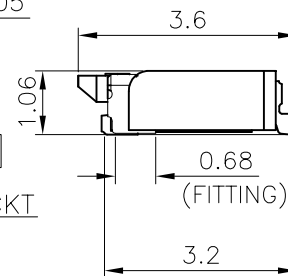
NOTES:

1. MATERIAL:
 - 1.1 HOUSING: THERMOPLASTIC, HIGH TEMP.UL94V-0
 - 1.2 ACTUATOR: THERMOPLASTIC, HIGH TEMP.UL94V-0
 - 1.3 CONTACT: COPPER ALLOY
 - 1.4 FITTING NAIL: COPPER ALLOY
2. FINISH:
 - 2.1 CONTACT:
 - M: 50~120u" NICKEL PLATING OVERALL
 - 3u" MIN. GOLD PLATING ON CONTACT
 - PLATING GOLD FLASH ON SMT
 - 2.2 FITTING NAIL:
 - 100~200u" MATT TIN PLATING ON SOLDER TAILS(LEAD FREE).
 - 50~100u" NICKEL UNDERPLATING OVERALL.
3. SPEC. PLS. REFER TO PS-51607-XXXX-001
4. PACKAGE PLS. REFER TO 51607-XXXX-XX-TRP
5. PART NUMBER 51607-XXX X X -XXX

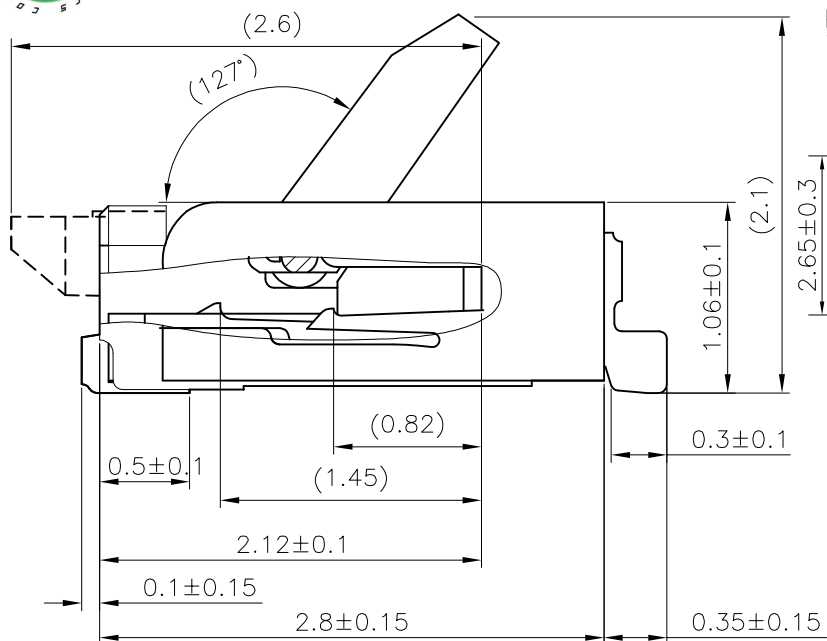
NO OF CKT
PACKING
0:TAPE & REEL

CODE	HOUSING COLOR	ACTUATOR COLOR
001	NATURAL	BLOCK
003	BLOCK	NATURAL

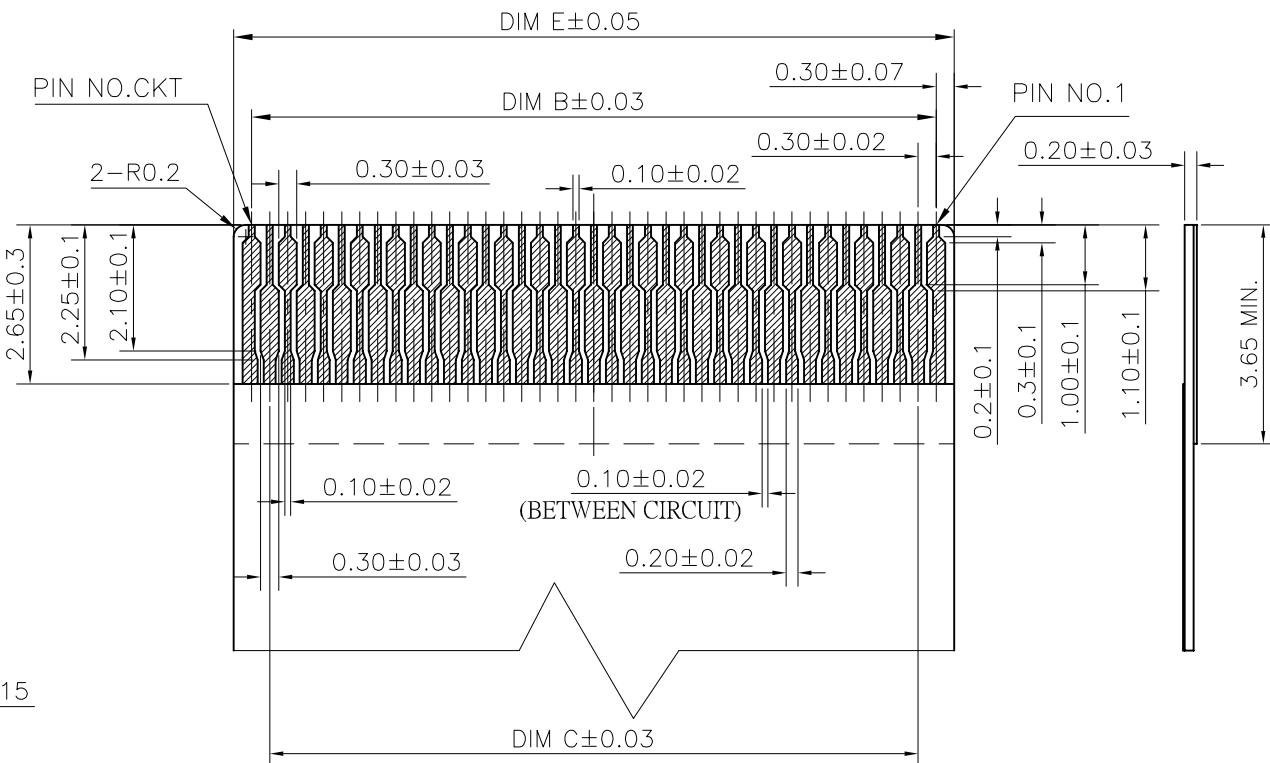
PLATING
M:3u" GOLD ON CONTACT AND SELECTIVENESS PLATING



一般公差 TOOLERANCES X +0.15 .XX ±0.05 X ±0.10 .XXX ±0.02 ANGLES ±1°	宏致電子股份有限公司 Aces Electronics Co.,Ltd.	
檢驗尺寸標示 SYMBOLS ⊕ ⊗ INDICATE CLASSIFICATION DIMENSION ⊕ MARK IS CRITICAL DIM. ⊗ MARK IS MAJOR DIM.	品名 (TITLE) 0.3 MM PITCH EASY ON FPC CONN SMT R/A B/C 圖號 (DWG NO.) 51607-XXXXX-XXX	製圖 (DR) JAMESLEN '15/02/03 審核 (CHKD) RYAN 核准 (APPD) K.HISATOMI
表面處理 (FINISH)	比例 (SCALE) 8:1	單位 (UNITS) mm
		張數 (SHEET) 1 OF 3
		SIZE REV A4 A



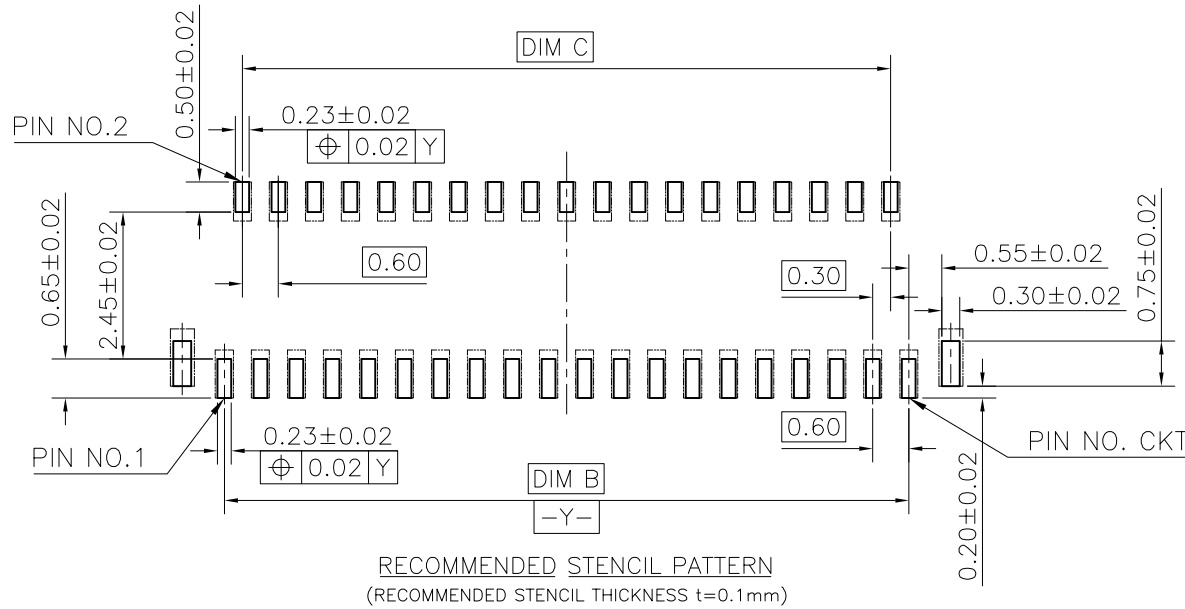
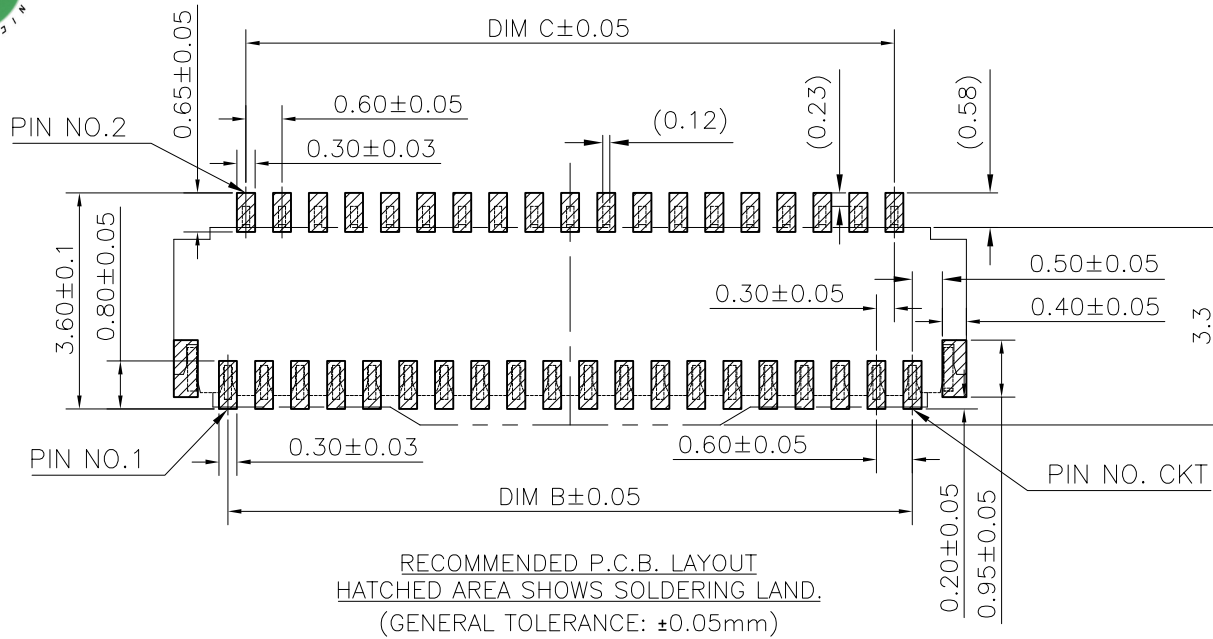
SCALE 3:1



APPLICABLE FPC RECOMMENDED DIM
(GENERAL TOLERANCE: ±0.05mm)

CKT	DIM A	DIM B	DIM C	DIM D	DIM E	CKT	DIM A	DIM B	DIM C	DIM D	DIM E
11	4.80	3.00	2.40	3.63	3.60	43	14.40	12.60	12.00	13.23	13.20
13	5.40	3.60	3.00	4.23	4.20	45	15.00	13.20	12.60	13.83	13.80
15	6.00	4.20	3.60	4.83	4.80	47	15.60	13.80	13.20	14.43	14.40
17	6.60	4.80	4.20	5.43	5.40	49	16.20	14.40	13.80	15.03	15.00
19	7.20	5.40	4.80	6.03	6.00	51	16.80	15.00	14.40	15.63	15.60
21	7.80	6.00	5.40	6.63	6.60	53	17.40	15.60	15.00	16.23	16.20
23	8.40	6.60	6.00	7.23	7.20	55	18.00	16.20	15.60	16.83	16.80
25	9.00	7.20	6.60	7.83	7.80	57	18.60	16.80	16.20	17.43	17.40
27	9.60	7.80	7.20	8.43	8.40	59	19.20	17.40	16.80	18.03	18.00
29	10.20	8.40	7.80	9.03	9.00	61	19.80	18.00	17.40	18.63	18.60
31	10.80	9.00	8.40	9.63	9.60	63	20.40	18.60	18.00	19.23	19.20
33	11.40	9.60	9.00	10.23	10.20	65	21.00	19.20	18.60	19.83	19.80
35	12.00	10.20	9.60	10.83	10.80	67	21.60	19.80	19.20	20.43	20.40
37	12.60	10.80	10.20	11.43	11.40	69	22.20	20.40	19.80	21.03	21.00
39	13.20	11.40	10.80	12.03	12.00	71	22.80	21.00	20.40	21.63	21.60
41	13.80	12.00	11.40	12.63	12.60						

一般公差 TOLERANCES X ±0.15 XX ±0.05 X ±0.10 .XXX ±0.02 ANGLES ±1°	宏致電子股份有限公司 Aces Electronics Co.,Ltd.	
檢驗尺寸標示 SYMBOLS INDICATE CLASSIFICATION DIMENSION MARK IS CRITICAL DIM. MARK IS MAJOR DIM.	品名 (TITLE) 0.3 MM PITCH EASY ON FPC CONN SMT R/A B/C 圖號 (DWG NO.) 51607-XXXXX-XXX	製圖 (DR) JAMESLEN '15/02/03 審核 (CHKD) RYAN 核准 (APPD) K.HISATOMI
表面處理 (FINISH)	比例 (SCALE) 8:1	單位 (UNITS) mm
		張數 (SHEET) 2 OF 3
		SIZE A4
		REV A



一般公差 TOLERANCES X ±0.15 XX ±0.05 X ±0.10 XXX ±0.02 ANGLES ±1°		宏致電子股份有限公司 Aces Electronics Co.,Ltd.	
檢驗尺寸標示 SYMBOLS INDICATE CLASSIFICATION DIMENSION		品名 (TITLE) 0.3 MM PITCH EASY ON FPC CONN SMT R/A B/C	製圖 (DR) JAMESLEN '15/02/03 審核 (CHKD) RYAN
MARK IS CRITICAL DIM. MARK IS MAJOR DIM.		圖號 (DWG NO.) 51607-XXXXX-XXX	核准 (APPD) K.HISATOMI
表面處理 (FINISH)	比例 (SCALE) 8:1	單位 (UNITS) mm	張數 (SHEET) 3 OF 3 SIZE A4 REV A

单击下面可查看定价，库存，交付和生命周期等信息

[>>ACES\(宏致\)](#)