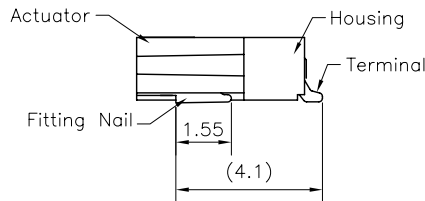
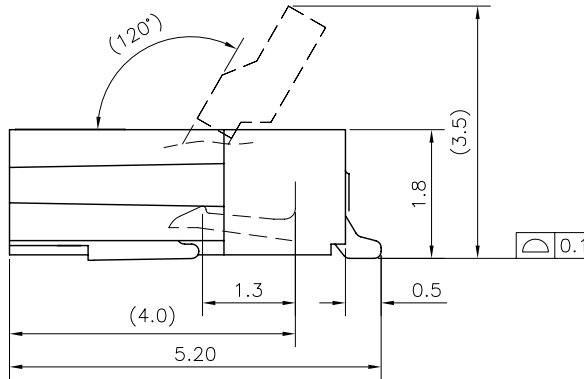
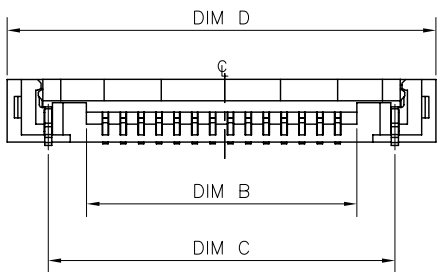
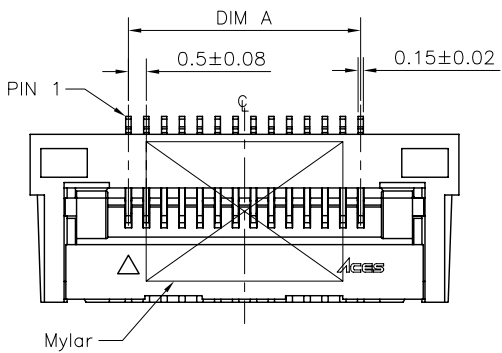
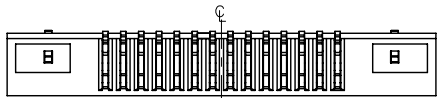


4~29 PIN 1 SINK  
30~60PIN: THREE SINKS



NOTES:

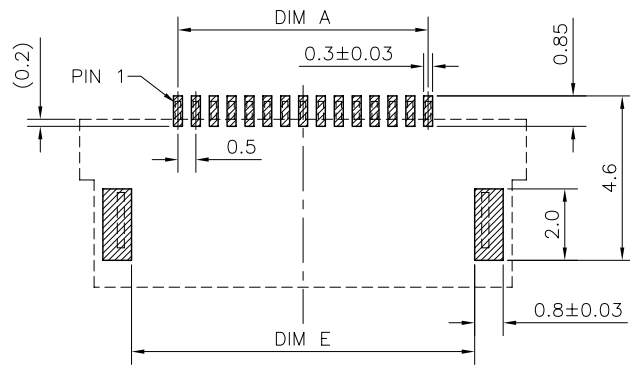
1. MATERIAL:
  - 1.1 HOUSING: MATERIAL IS LCP GF40%, UL 94 V-0
  - 1.2 ACTUATOR: MATERIAL IS NYLON-6T GF30%, UL 94 V-0
  - 1.3 CONTACT: COPPER ALLOY
  - 1.4 FITTING NAIL: COPPER ALLOY
2. FINISH:
  - 2.1 CONTACT:
    - 50~100u" NICKEL UNDERPLATING OVERALL.
    - 1: GOLD FLASH ON PLATING AREA .
    - T: 10u" GOLD PLATING ON CONTACT AREA AND GOLD FLASH ON SOLDER TAIL AREA.
  - 2.2 FITTING NAIL:
    - 50~100u" NICKEL UNDERPLATING OVERALL.
    - 80~120u" MATT TIN PLATING ON SOLDER TAILS(LEAD FREE).
3. REFLOW SOLDER CAPABLE TO 260°C PER ACES SPEC.
4. SPEC. PLS. REFER TO PS-51503-xxxxx-xxx
5. PACKAGE PLS. REFER TO 51530-xxxxx-05-TRP
6. PART NUMBER

51530-XXX	X	X-002	HOUSING MATERIAL&COLOR	ACTUATOR MATERIAL&COLOR
			002 HALOGEN FREE PLASTIC & NATURAL	HALOGEN FREE PLASTIC & BLACK

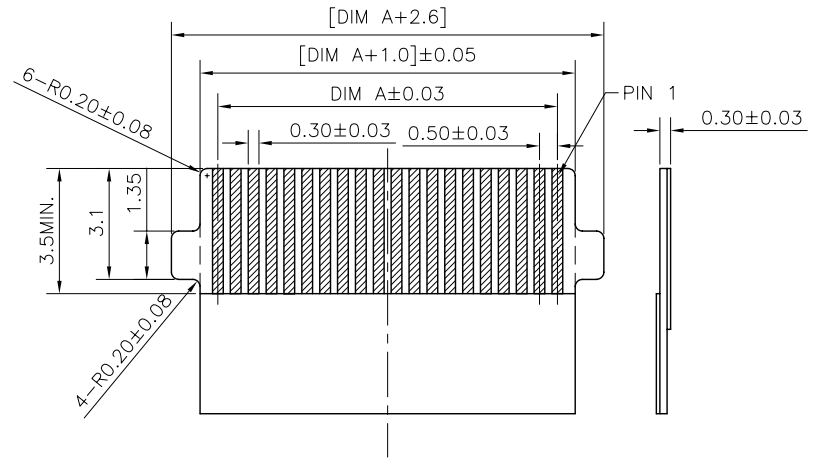
NO OF CKT ——— PLATING  
PACKING ——— 1: G/F (LEAD FREE)  
0: TAPE & REEL T: 10u" GOLD PLATING ON CONTACT AREA  
4: TAPE & REEL WITH MYLAR

CKT	DIM A	DIM B	DIM C	DIM D	DIM E
4	1.5	2.57	4.7	7.0	4.1
6	2.5	3.57	5.7	8.0	5.1
8	3.5	4.57	6.7	9.0	6.1
10	4.5	5.57	7.7	10.0	7.1
12	5.5	6.57	8.7	11.0	8.1

QUALITY SYMBOLS MAJOR Ⓢ CRITICAL Ⓢ GENERAL TOLERANCES (UNLESS SPECIFIED) X. ±0.5 .X ±0.25 .XX ±0.15 .XXX ±0.1 ANGLES ±2°	DRAWN BY Xu, Bin 18/01/02	DATE 18/01/02		
	CHECKED BY Xu, Zhi Yong 18/01/02	DATE 18/01/02		
	APPROVED BY Xu, Zhi Yong 18/01/02	DATE 18/01/02		
	UNITS mm	SIZE A4		DWG NO. 51530-XXXXX-002
	SCALE 3:1	SHEET NO. 1 OF 2	REV O	PART NO. SEE NOTES



RECOMMENDED PCB LAYOUT  
GENERAL TOLERANCE ±0.05



RECOMMENDED FPC/FFC DIMENSIONS  
GENERAL TOLERANCE ±0.1

CKT	DIM A	DIM B	DIM C	DIM D	DIM E
4	1.5	2.57	4.7	7.0	4.1
6	2.5	3.57	5.7	8.0	5.1
8	3.5	4.57	6.7	9.0	6.1
10	4.5	5.57	7.7	10.0	7.1
12	5.5	6.57	8.7	11.0	8.1

QUALITY SYMBOLS MAJOR Ⓢ CRITICAL Ⓢ	DRAWN BY	DATE			
	Xu, Bin	18/01/02			
GENERAL TOLERANCES (UNLESS SPECIFIED) X. ±0.5 .X ±0.25 .XX ±0.15 .XXX ±0.1 ANGLES ±2°	CHECKED BY	DATE	TITLE 0.5 PITCH EASY ON FPC Conn. H=1.8mm TYPE		
	Xu, Zhi Yong	18/01/02			
	APPROVED BY	DATE	UNITS	SIZE	DWG NO.
	Xu, Zhi Yong	18/01/02	mm	A4	51530-XXXXX-002
	SCALE	SHEET NO.	REV	PART NO.	
	3:1	2 OF 2	O		SEE NOTES

单击下面可查看定价，库存，交付和生命周期等信息

[>>ACES\(宏致\)](#)