



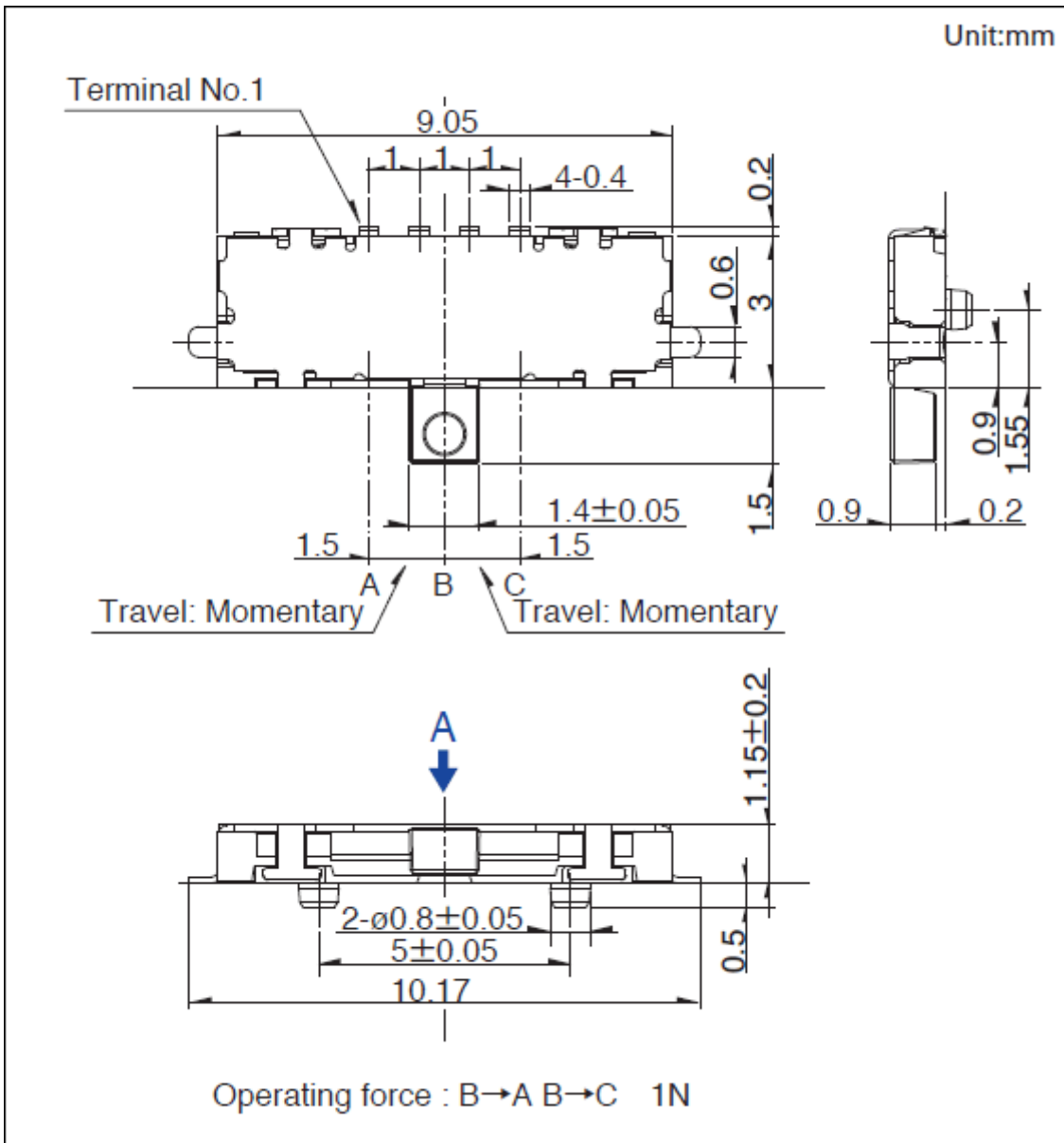
## Recoil Type for Single-side and Both-sides SSAG Series

Travel	1.5mm		
Actuator directions	Horizontal		
Poles	1		
Positions	3		
Operating force	1N (Recoil side)		
Changeover timing	Not specified		
Soldering	Reflow		
Operation	Double-side recoil		
Shape of frame leg	Flat		
Location lug	With		
Operating temperature range	-10°C to +60°C		
Rating (max.)/(min.) (Resistive load)	10mA 5V DC/50μA 3V DC		
Electrical performance	Contact resistance (Initial performance/After lifetime)	200mΩ max./500mΩ max.	
	Insulation resistance	100MΩ min. 100V DC	
	Voltage proof	100V AC for 1 minute	
Mechanical performance	Terminal strength	3N for 1 minute	
	Actuator strength	Operating direction	10N
		Pulling direction	10N
Durability	Operating life without load	100,000 cycles 500mΩ max.	
	Operating life with load (at max. rated load)	100,000 cycles 500mΩ max.	
Environmental performance	Cold	-40°C 96h	
	Dry heat	85°C 96h	
	Damp heat	40°C, 90 to 95%RH 96h	
Minimum order unit (pcs.)	Japan	4,000	
	Export	16,000	

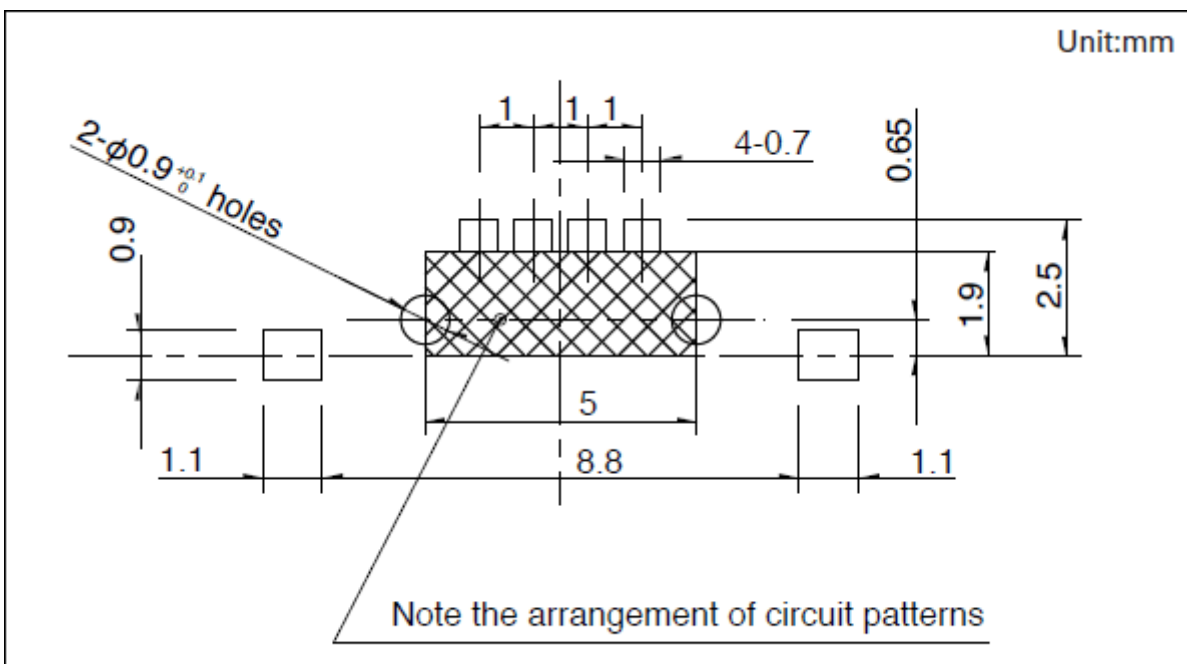
### About Cookies on this site:

This site uses cookies to improve your online experience. By continuing to use this site without changing your cookie preferences, we will assume that you are agreeing to our use of cookies. For more information, visit our [Terms of Use](#).

Accept

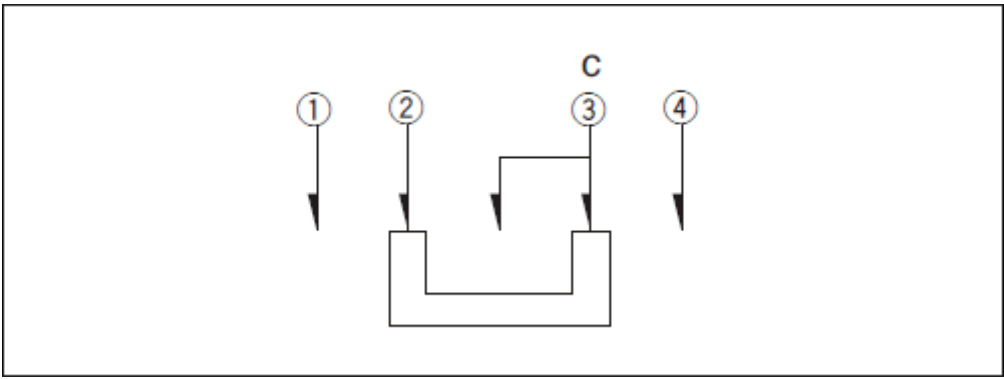


Land Dimensions



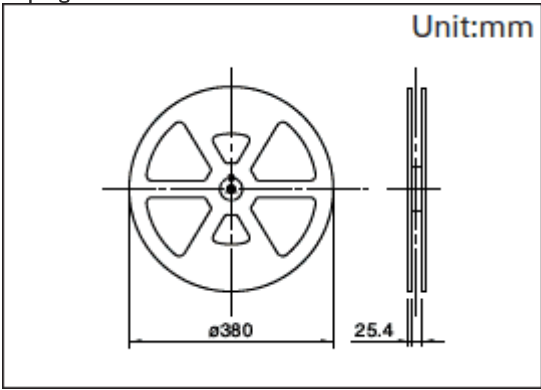
About Cookies on this site:  
 This site uses cookies to improve your online experience. By continuing to use this site without changing your cookie preferences, we will assume that you are agreeing to our use of cookies. For more information, visit our [Terms of Use](#).

Accept



**Packing Specifications**

**Taping**



Number of packages (pcs.)	1 reel	4,000
	1 case / Japan	8,000
	1 case / export packing	16,000
Tape width (mm)	24	
Export package measurements (mm)	428 × 413 × 172	

**Soldering Conditions**

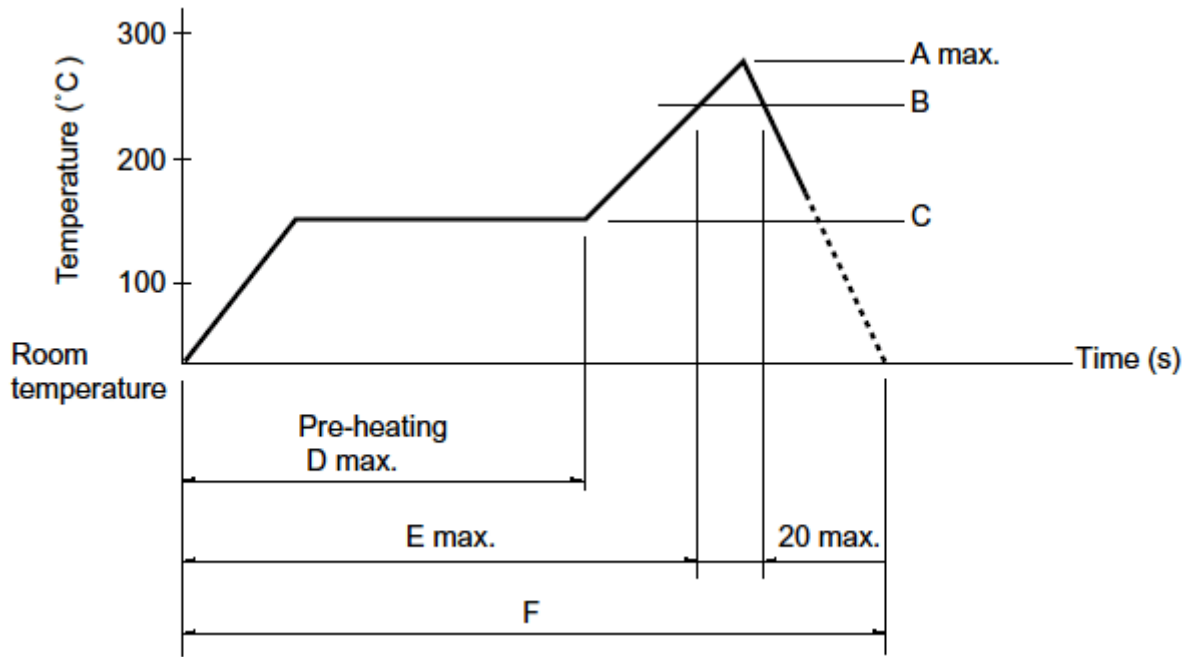
**Example of Reflow Soldering Condition**

1. Heating method  
Double heating method with infrared heater.
2. Temperature measurement  
Thermocouple 0.1 to 0.2 Φ CA (K) or CC (T) at soldering portion (copper foil surface). A heat resisting tape should be used for fixed measurement.
3. Temperature profile

**About Cookies on this site :**

This site uses cookies to improve your online experience. By continuing to use this site without changing your cookie preferences, we will assume that you are agreeing to our use of cookies. For more information, visit our [Terms of Use](#).

Accept



A(°C)	B(°C)	C(s)	D(°C)	E(°C)	F(s)
3s max.					
260	230	40	180	150	120

(1) The condition mentioned above is the temperature on the mounting surface of a PC board. There are cases where the PC board's temperature greatly differs from that of the switch, depending on the PC board's material, size, thickness, etc. The above-stated conditions shall also apply to switch surface temperatures.

(2) Soldering conditions differ depending on reflow soldering machines. Prior verification of soldering condition is highly recommended.

**Reference for Hand Soldering**

Soldering temperature	350 ± 5°C
Soldering time	3s max.

**Notes are common to this series/models.**

1. This site catalog shows only outline specifications. When using the products, please obtain formal specifications for supply.
2. Please place purchase orders per minimum order unit (integer).

**About Cookies on this site :**

This site uses cookies to improve your online experience. By continuing to use this site without changing your cookie preferences, we will assume that you are agreeing to our use of cookies. For more information, visit our [Terms of Use](#).

Accept

单击下面可查看定价，库存，交付和生命周期等信息

[>>ALPS Electric\(阿尔卑斯\)](#)