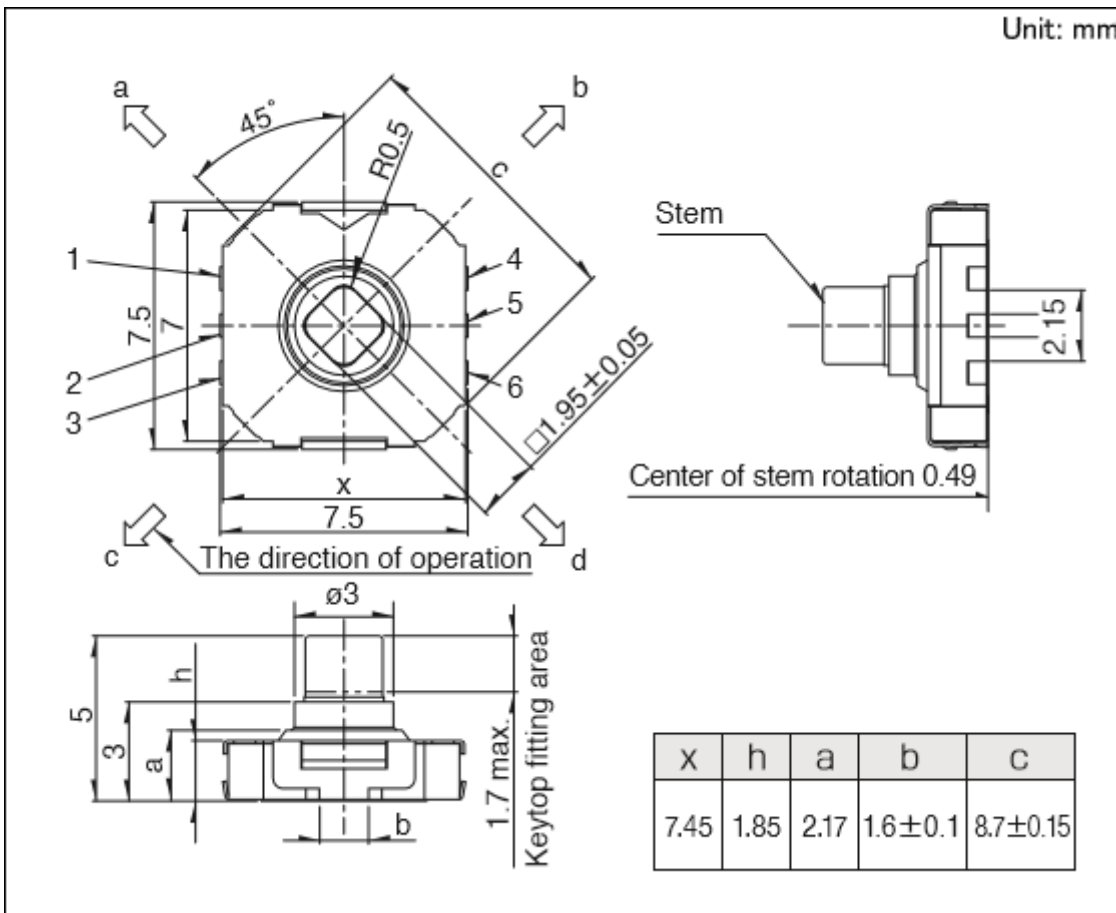




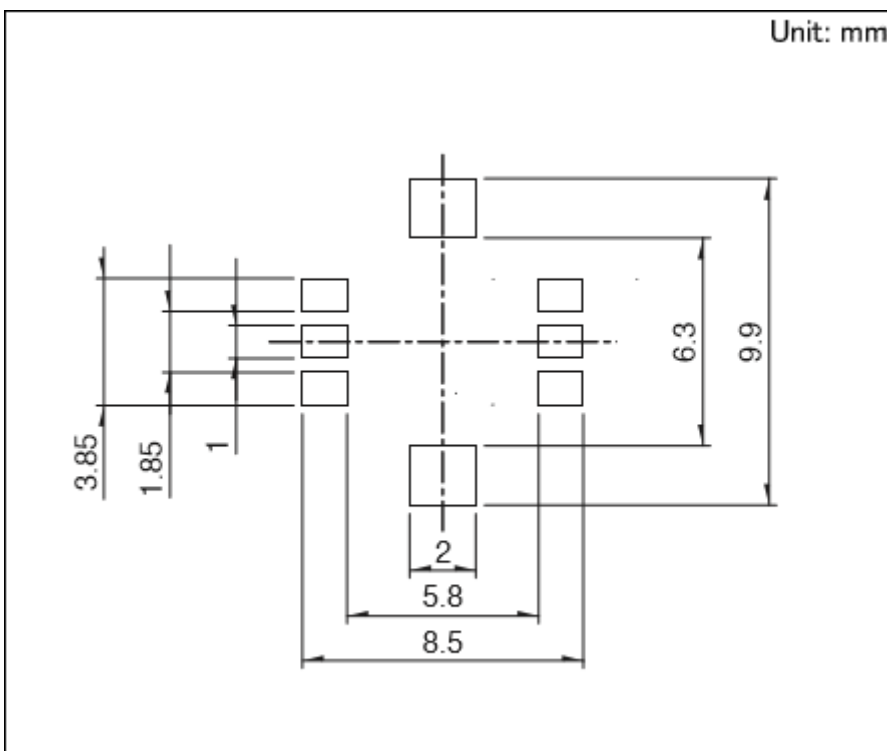
4-direction Type with Center-push Function (Surface Mount) SKRH Series

Type	Surface mount		
Operating force	4-direction		1.2N
	Center push		2.35N
Travel	4-direction		0.25mm
	Center push		0.15mm
Operating life (5mA 5V DC)	1,000,000 cycles for each direction		
Initial contact resistance	100mΩ max.		
Stem color	Natural		
Guide bosses	Without		
Operating temperature range	-40°C to +85°C		
Ratings (max.)/(min.) (Resistive load)	50mA 12V DC/10μA 1V DC		
Electrical performance	Directional resolution		4-direction
	Insulation resistance		100MΩ min. 100V DC
	Voltage proof		100V AC for 1 minute
Mechanical performance	Directional operating force		1.2±0.69N
	Push operating force		2.35±0.69N
	Actuator strength	Operating direction	29.4N
Durability	Operating life	Center push	1,000,000 cycles
Environmental performance	Cold		-40±2°C for 96h
	Dry heat		90±2°C for 96h
	Damp heat		60±2°C, 90 to 95%RH for 96h
Minimum order unit (pcs.)	Japan	1,300	

Dimensions

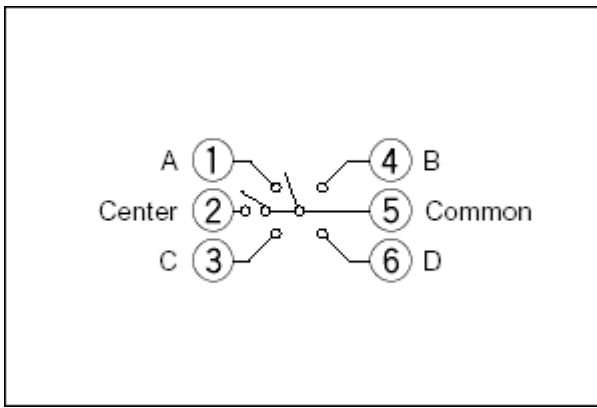


Land Dimensions



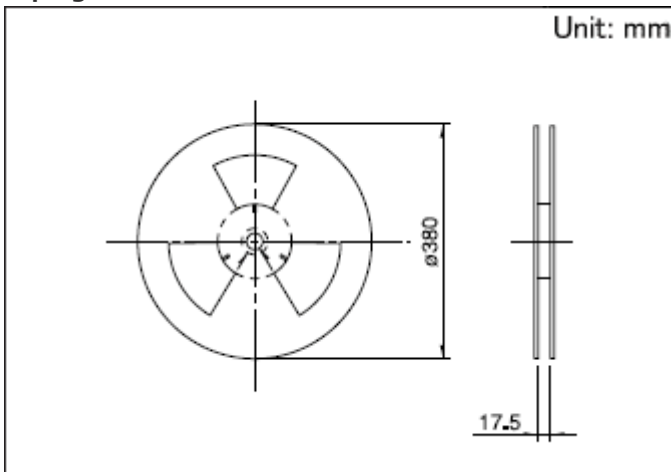
Viewed from mounting face

Circuit Diagram



Packing Specifications

Taping



Number of packages 1 reel (pcs.)	1,300
1 case / Japan	10,400
1 case / export packing	10,400
Tape width (mm)	16
Export package measurements (mm)	401×401×214

Soldering Condition

Example of Reflow Soldering Condition

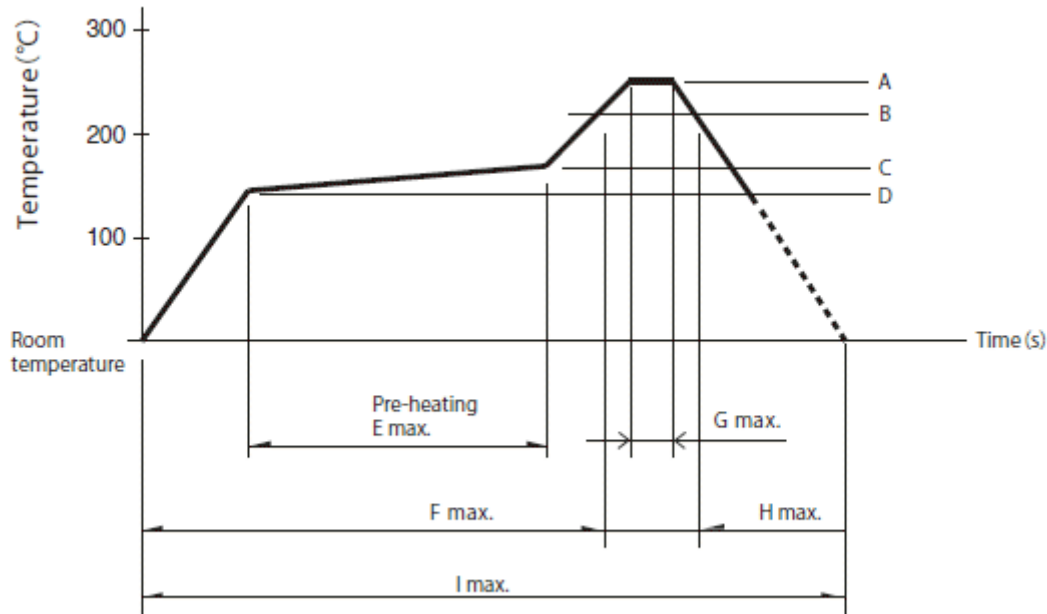
1. Heating method:

Double heating method with infrared heater.

2. Temperature measurement:

Thermocouple 0.1 to 0.2 Φ CA (K) or CC (T) at solder joints (copper foil surface). A heat resisting tape should be used to fix thermocouple.

3. Temperature profile



A	B	C	D	E	F	G	H	I	No. of reflows
260°C	230°C	180°C	150°C	2 min.	-	-	40s	-	1 time

(1) The condition mentioned above is the temperature on the mounting surface of a PC board. There are cases where the PC board's temperature greatly differs from that of the switch, depending on the PC board's material, size, thickness, etc. The above-stated conditions shall also apply to switch surface temperatures.

(2) Soldering conditions differ depending on reflow soldering machines. Prior verification of soldering condition is highly recommended.

Reference for Hand Soldering

Tip temperature	350±5°C
Soldering time	3s max.
No. of solders	1 time

Notes are common to this series/models.

1. This site catalog shows only outline specifications. When using the products, please obtain formal specifications for supply.
2. 4-directional operating force and travel are measured at 4.3mm height from the bottom of the switch.
3. Please place purchase orders for taping products per minimum order unit (1 reel or a case).

单击下面可查看定价，库存，交付和生命周期等信息

[>>ALPS Electric\(阿尔卑斯\)](#)