

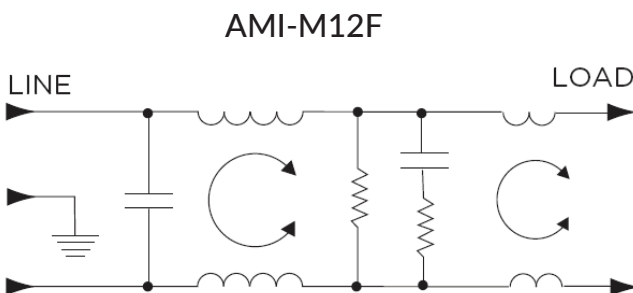
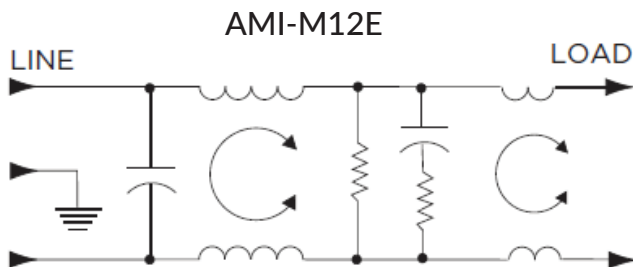
Highest Performance RFI Medical Power Line Filters

AMI-12E/12F/12G/12H Series

Metal Enclosure Single Phase Dual Stage Filters

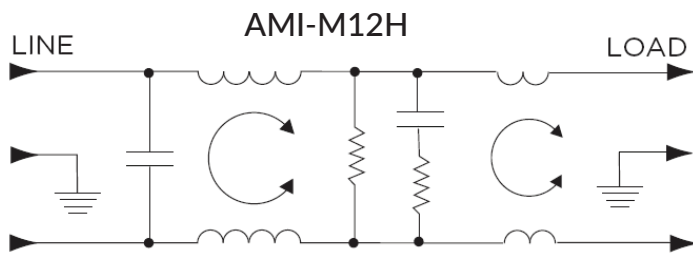
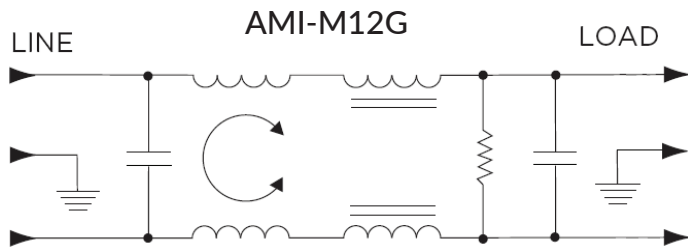
AMI Designation	Input/output Style			Current Rating	Inductance	Capacitance		Resistor	Leakage Current @ 120 VAC 60Hz/250 VAC 50 Hz	TIL Insertion Loss	Case Style
						Cx	Cy				
Available Part Numbers	6.3mm Spade Terminals	Wire Leads	Threaded Bolts	A	mH	nF	pF	KΩ	mA		
AMI-M12E-1-3-A	1	-	-	3	32.18	1080	0	270	0.002/0.005	001	A
AMI-M12E-3-3-A	-	3	-	3	32.18	940	0	270	0.002/0.005	001	B
AMI-M12G-8-3-A	-	-	8	3	32.18	940	0	270	0.002/0.005	001	C
AMI-M12G-8M-3-A	-	-	8M	3	32.18	940	0	270	0.002/0.005	001	C
AMI-M12F-1-6-A	-	-	-	6	48.8	1970	0	165	0.002/0.005	002	A
AMI-M12F-3-6-A	-	3	-	6	48.8	1970	0	165	0.002/0.005	002	B
AMI-M12H-8M-6-A	-	-	8M	6	48.8	1970	0	165	0.002/0.005	002	D

Electrical Schematic



Highest Performance RFI Medical Power Line Filters

Electrical Schematic



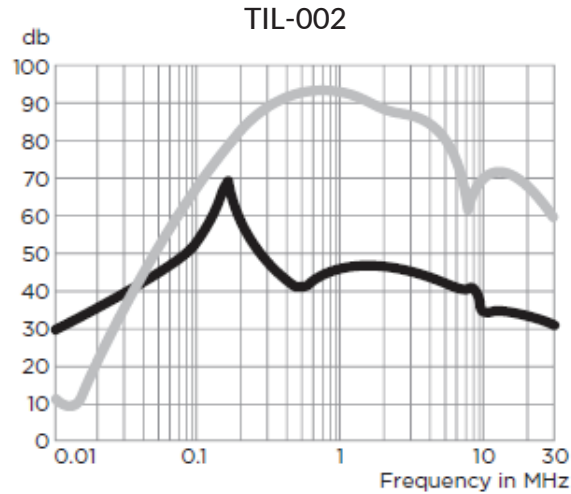
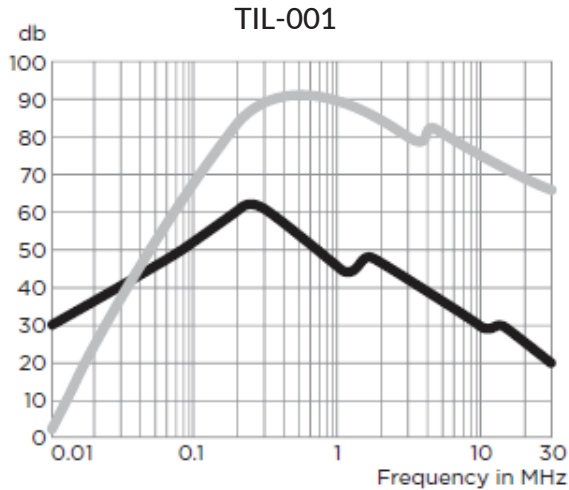
Specifications:

- Rated Voltage (max): 250 VAC
- Operating Frequency: 50/60 Hz
- Operating Current: 3 & 6 A
- Hi-pot Rating (one minute): Line to Ground: 2250 VDC
Line to Line: 1450 VDC
- Operating Ambient Temperature Range (at rated current I_r): -10°C to +40°C. In an ambient temperature (T_a) higher than +40°C the maximum operating current (I_o) is calculated as follows: $I_o = I_r \sqrt{[(85 - T_a) / 45]}$

Highest Performance RFI Medical Power Line Filters

Performance Data Typical Insertion Loss

Measured in closed 50 Ohm system



— Common Mode / Asymmetrical (L-G)
— Differential Mode / Symmetrical (L-L)

Minimum Insertion Loss

Common Mode/Asymmetrical (Line to Ground)

Current Rating	Frequency-MHz						
	.05	.15	.5	1	5	10	30
M12E/F/G/H-X-X-A.							
3A	32	44	44	40	28	22	10
6A	39	42	28	36	31	23	16

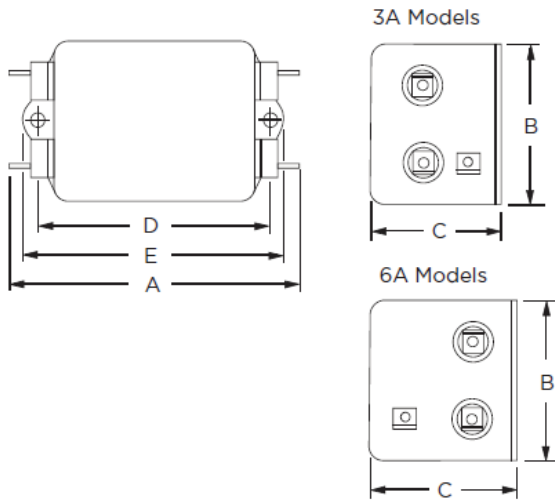
Differential Mode/Symmetrical (Line to Line)

Current Rating	Frequency-MHz						
	.05	.15	.5	1	5	10	30
M12E/F/G/H-X-X-A.							
3A	43	68	75	75	70	65	60
6A	43	70	75	75	65	55	40

Highest Performance RFI Medical Power Line Filters

Case Styles

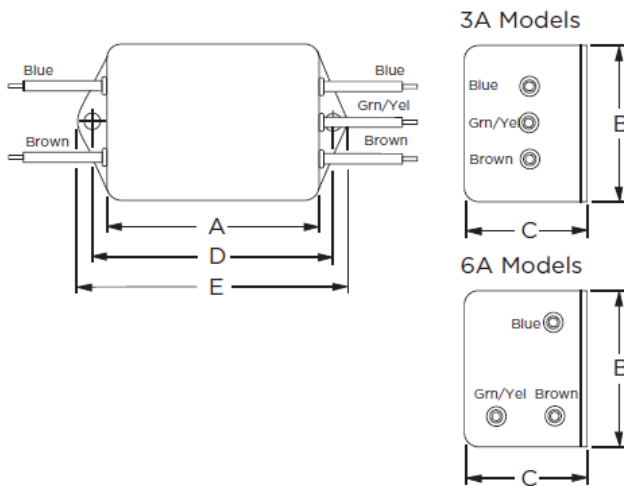
STYLE A



Typical Dimensions:

- Line/Load Terminals (4): .250 [6.3] with .07 [1.8] Dia. hole
- Ground Terminal (1): .250 [6.3] with .07 x .16 [1.8 x 3.8] slo
- Mounting Holes (2): .188 [4.78] Dia.

STYLE B



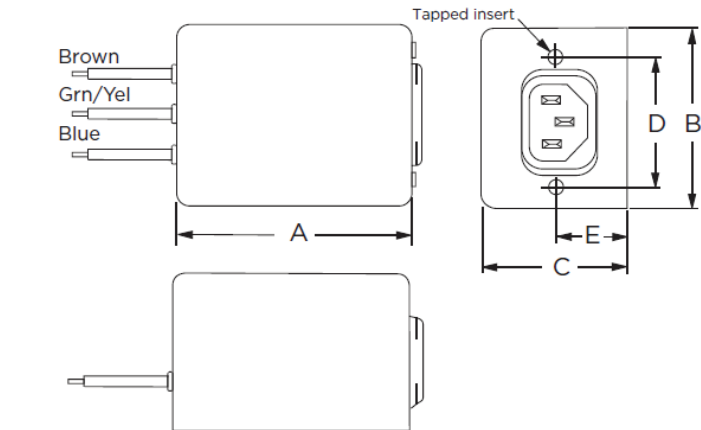
Typical Dimensions:

- Wire Leads (5): 4.0 [101.6] Min.
- Mounting Holes (2): .188 [4.78] Dia.

Highest Performance RFI Medical Power Line Filters

Case Styles

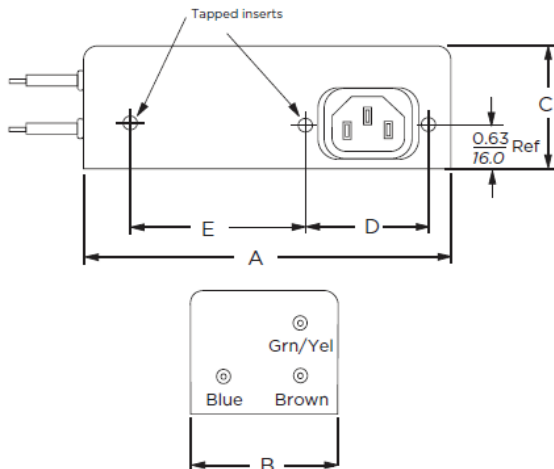
STYLE C



Typical Dimensions:

Wire Leads (3):	4.0 [101.6] Min.
Line Inlet (1):	IEC 60320-1 C14
HQ8 Tapped Inserts (2):	6-32 x 1/4
HQ8M Tapped Inserts (2):	M3 x .5

STYLE D

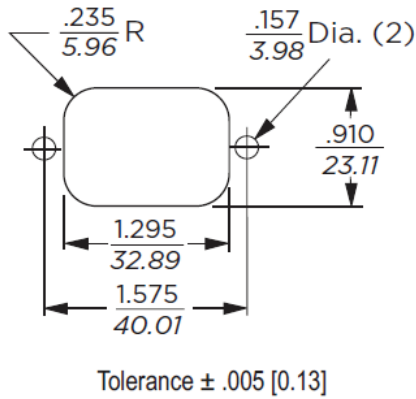


Typical Dimensions:

Wire Leads (3):	4.0 [101.6] Min.
Line Inlet (1):	IEC 60320-1 C14
HQ8 Tapped Inserts (2):	6-32 x 1/4
HQ8M Tapped Inserts (2):	M3 x .5

Highest Performance RFI Medical Power Line Filters

Recommended Panel Cutout



Mechanical Dimensions:

Model Number	A max	B max	C max	D $\frac{+.01}{-.25}$	E max
AMI-M12E-1-3-A	3.85"/97.8mm	2.07"/52.6mm	1.78"/45.2mm	2.938"/74.63mm	3.34"/84.8mm
AMI-M12E-3-3-A	2.56"/65.0mm	2.07"/52.6mm	1.78"/45.2mm	2.938"/74.63mm	3.34"/84.8mm
AMI-M12G-8-3-A, AMI-M12G-8M-3-A	3.07"/78.0mm	2.25"/57.2mm	1.78"/45.2mm	1.575"/40.01mm	0.63"/16.0mm
AMI-M12F-1-6-A	4.98"/126.5mm	2.27"/57.7mm	1.8"/45.7mm	4.063"/103.2mm	4.47"/113.5mm
AMI-M12F-3-6-A	3.69"/93.7mm	2.27"/57.7mm	1.8"/45.7mm	4.063"/103.2mm	4.47"/113.5mm
AMI-M12H-8M-6-A	5.47"/138.9mm	2.07"/52.6mm	1.78"/45.2mm	1.575"/40.01mm	2.7"/68.6mm

单击下面可查看定价，库存，交付和生命周期等信息

[>>Altran Magnetics, In](#)