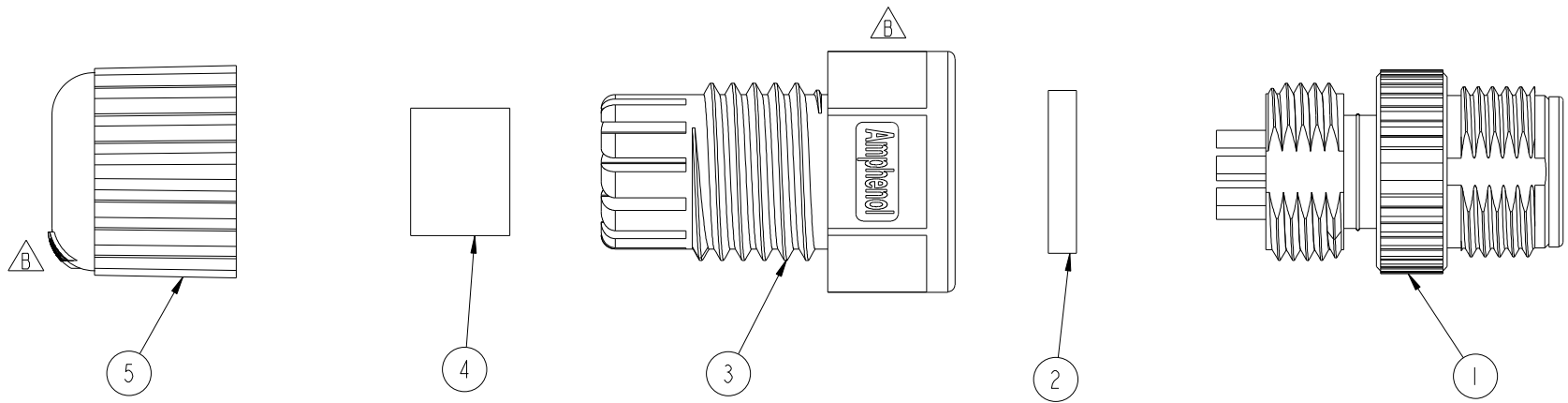
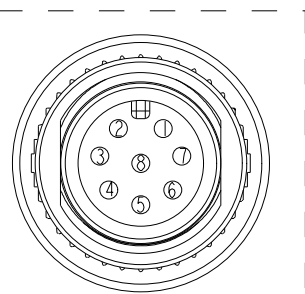


REV.	ECN NO.	DATE	SIGN	DESCRIPTION
B	LEN13B0303	2013-11-15	Lu Di	Change LOGO

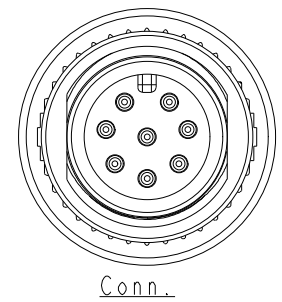
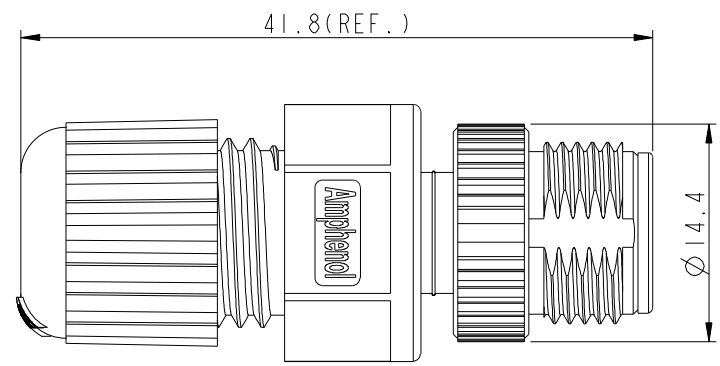


ALTW  
CONFIDENTIAL  
2013-11-15  
R&D DEPT.

ALTW  
DCC. DEPT.  
CONFIDENTIAL  
2013.11.29  
ISSUED



Pin Assignments  
Front View



- Note:
- \*  $\varnothing$  Important Dimension To Check.
  - \* Waterproof Rate: IP68
  - \* Housing: Black, Nylon+GF
  - \* Pin: Copper Alloy, Gold Plated
  - \* Nut: Zinc Alloy, Nickel Plated
  - \* Gasket: Black, EPDM
  - \* Clamp Ring: Black, Nylon
  - \* Sealing Nut: Black, Nylon
  - \* Seals: Black, EPDM
  - \* Seal For Cable OD:  $\varnothing$ 4.5mm~ $\varnothing$ 6.5mm

UNIT:mm		
TOLERANCE		
.X	±0.25	
.XX	±0.1	
.XXX	±0.05	
ANGLES	±1°	

TITLE M12 Conn Assy Screw 8Pin M Conn M Pin			
SCALE 2:1	SIZE A4	SHEET 1 OF 1	
REV. B	WC-REV. A.3	QC: Inspection item	

**Amphenol LTW**  
安費諾亮泰企業股份有限公司

ITEM NO 12-08BMMA-SL8001	DRAWN BY Di_Lu	DATE 2013-11-15
DWG NO 12-08BMMA-SL8001	CHECKED BY Mafei	DATE 2013-11-15
CUSTOMER ALTW	APPROVED BY Jerry	DATE 2013-11-15

THIS DOCUMENT IS SUBJECT TO CHANGE WITHOUT NOTICE. IT IS CONFIDENTIAL AND A PROPERTY OF AMPHENOL LTW. DISCLOSURE TO THIRD PARTY HAS TO BE AUTHORIZED BY AMPHENOL LTW.

单击下面可查看定价，库存，交付和生命周期等信息

[>>Amphenol\(安费诺\)](#)